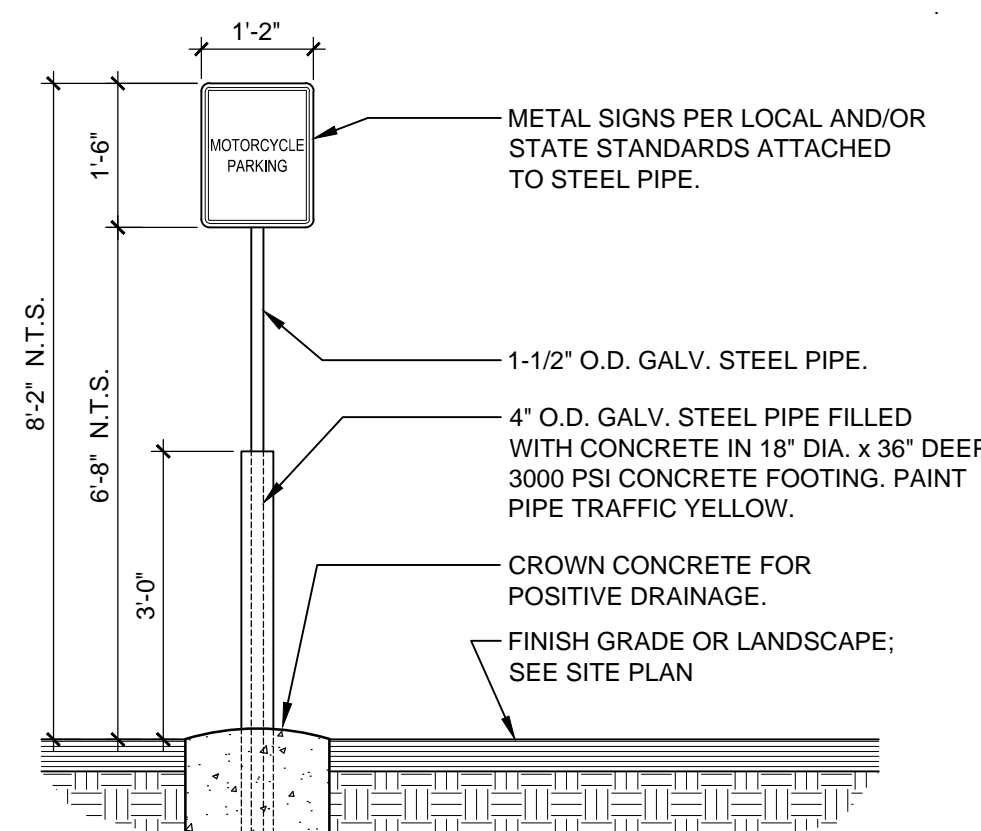
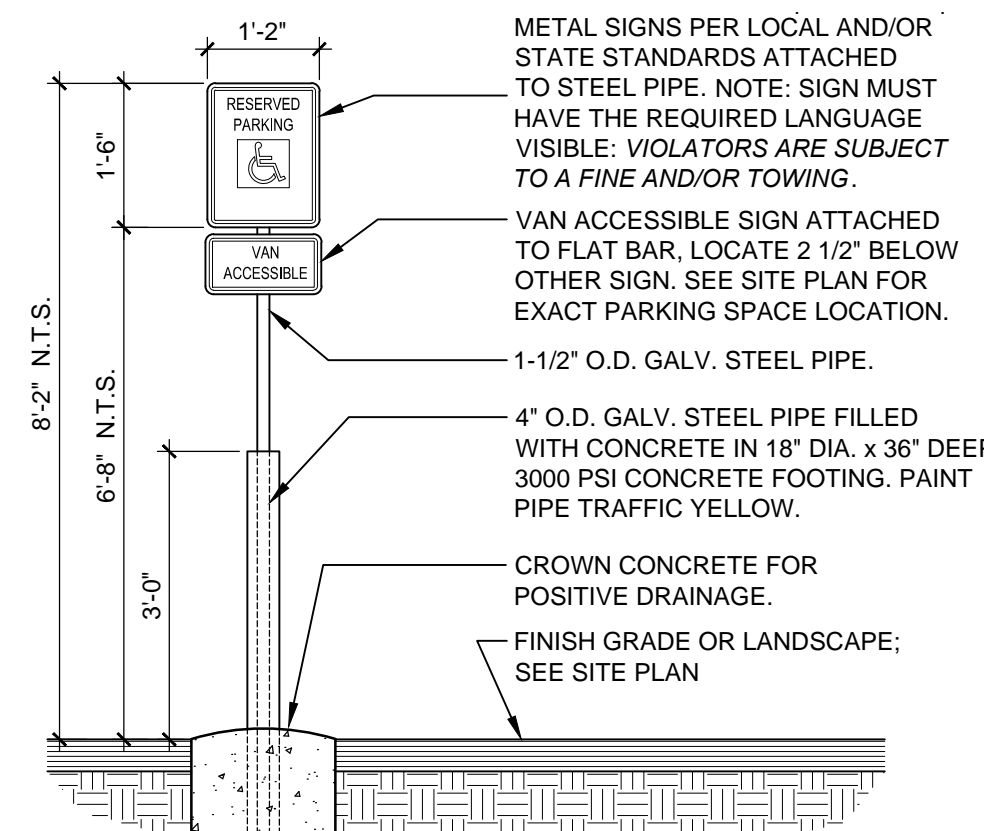


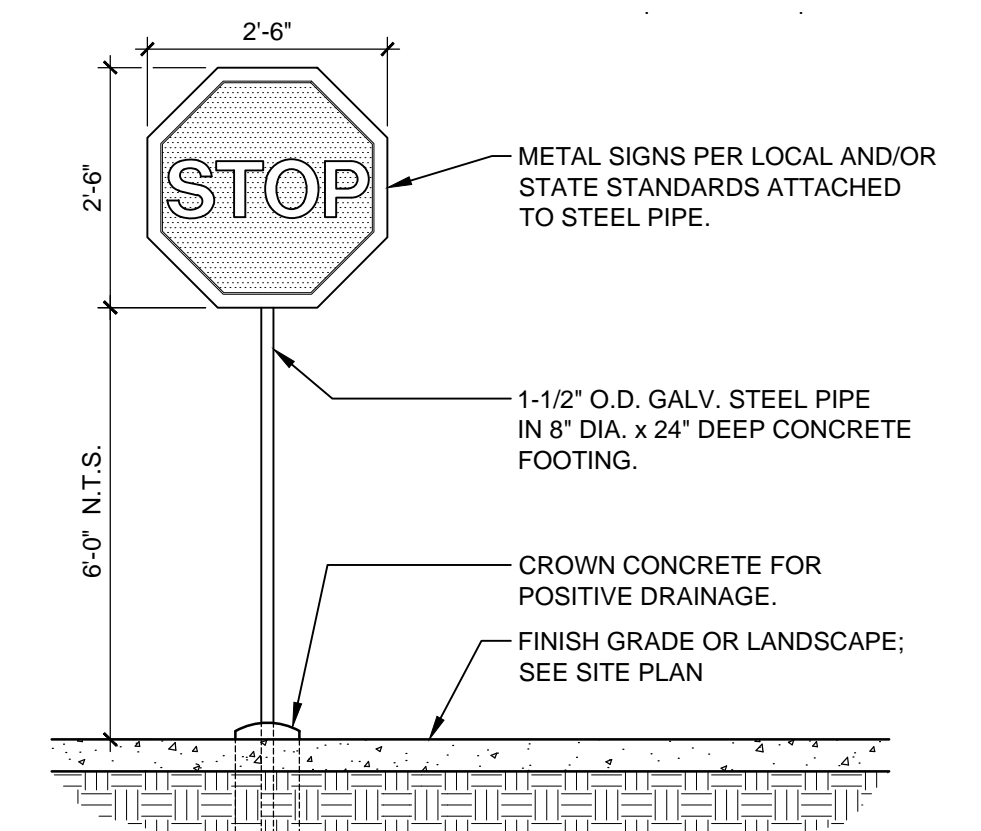
A1 POLE MOUNTED PARKING LOT LIGHT
3/8" = 1'-0"



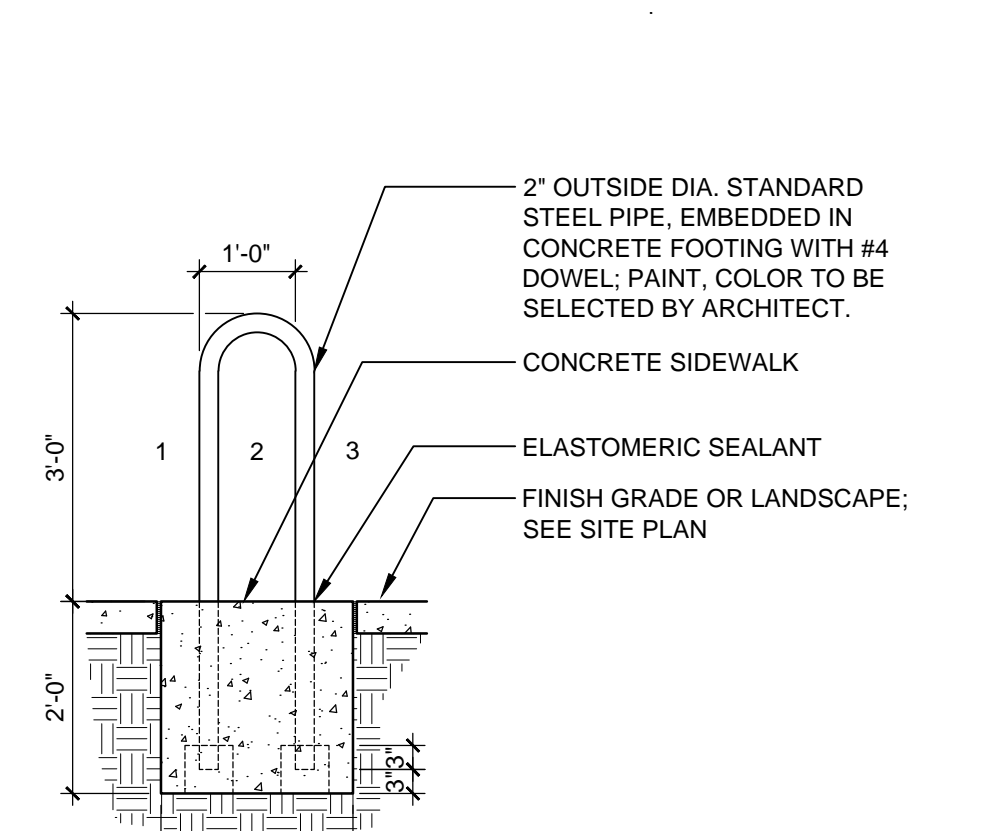
A2 POLE MOUNTED MOTORCYCLE SIGN
1/2" = 1'-0"



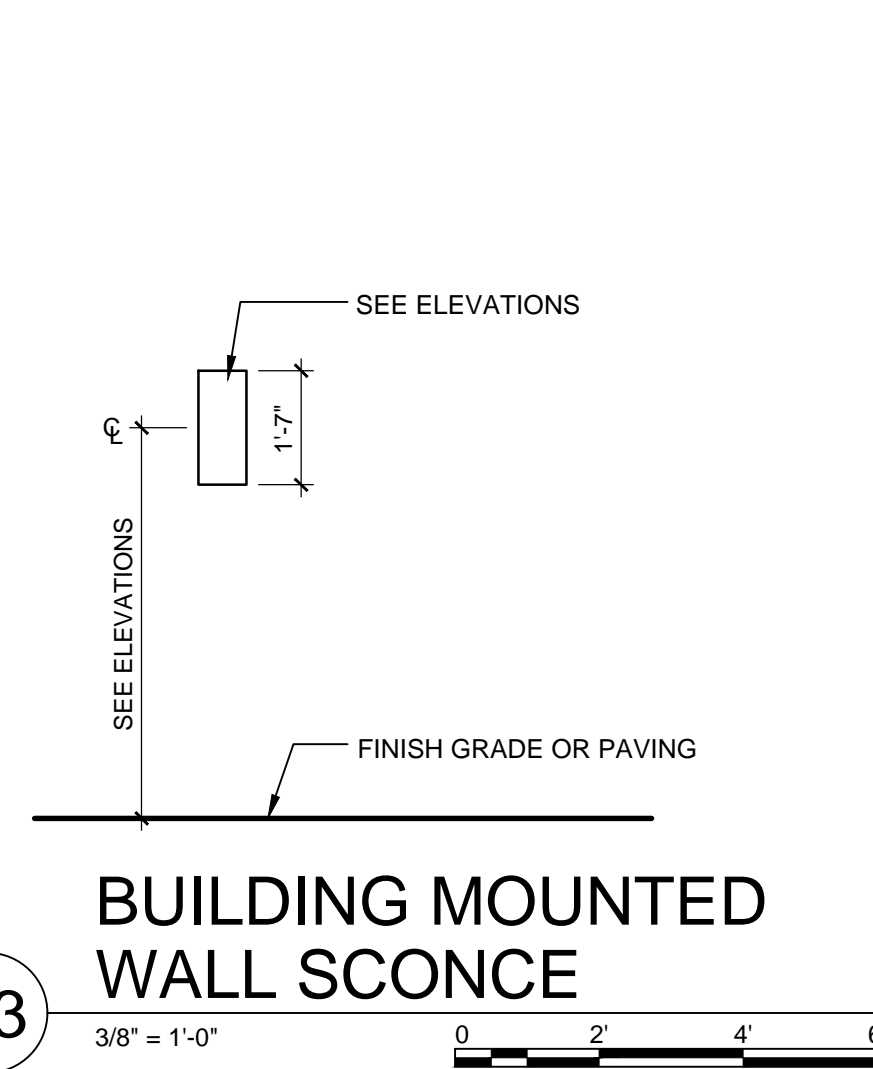
A3 POLE MOUNTED H.C. SIGN (VAN)
1/2" = 1'-0"



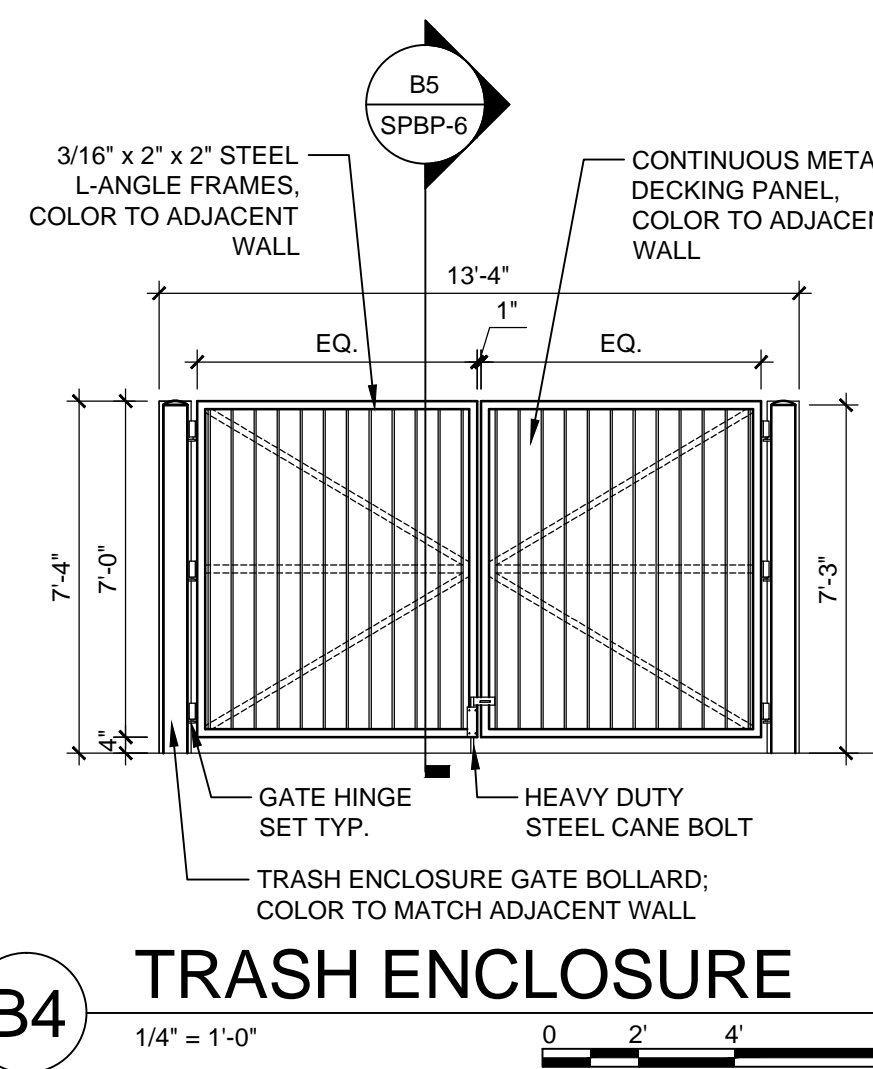
A4 POLE MOUNTED STOP SIGN
1/2" = 1'-0"



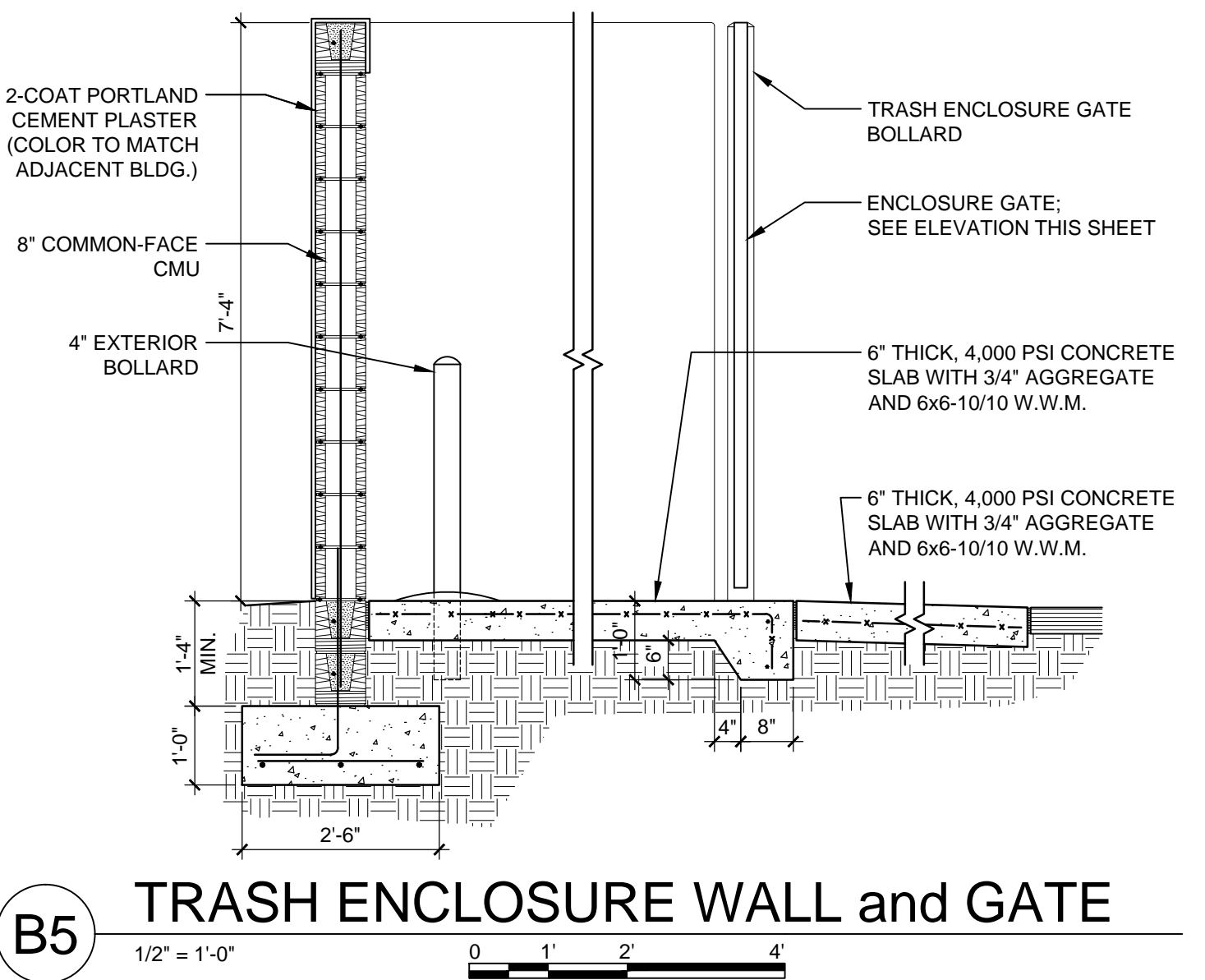
A5 BICYCLE RACK
1/2" = 1'-0"



B3 BUILDING MOUNTED WALL SCONCE
3/8" = 1'-0"



B4 TRASH ENCLOSURE
1/4" = 1'-0"



B5 TRASH ENCLOSURE WALL and GATE
1/2" = 1'-0"

REVISIONS

- △
- △
- △
- △

DRAWN BY	MB, AJ
REVIEWED BY	CG, MB
DATE	12/29/16

PROJECT NO.
DRAWING NAME
SITE DEVELOPMENT PLAN FOR BUILDING PERMIT SITE DETAILS