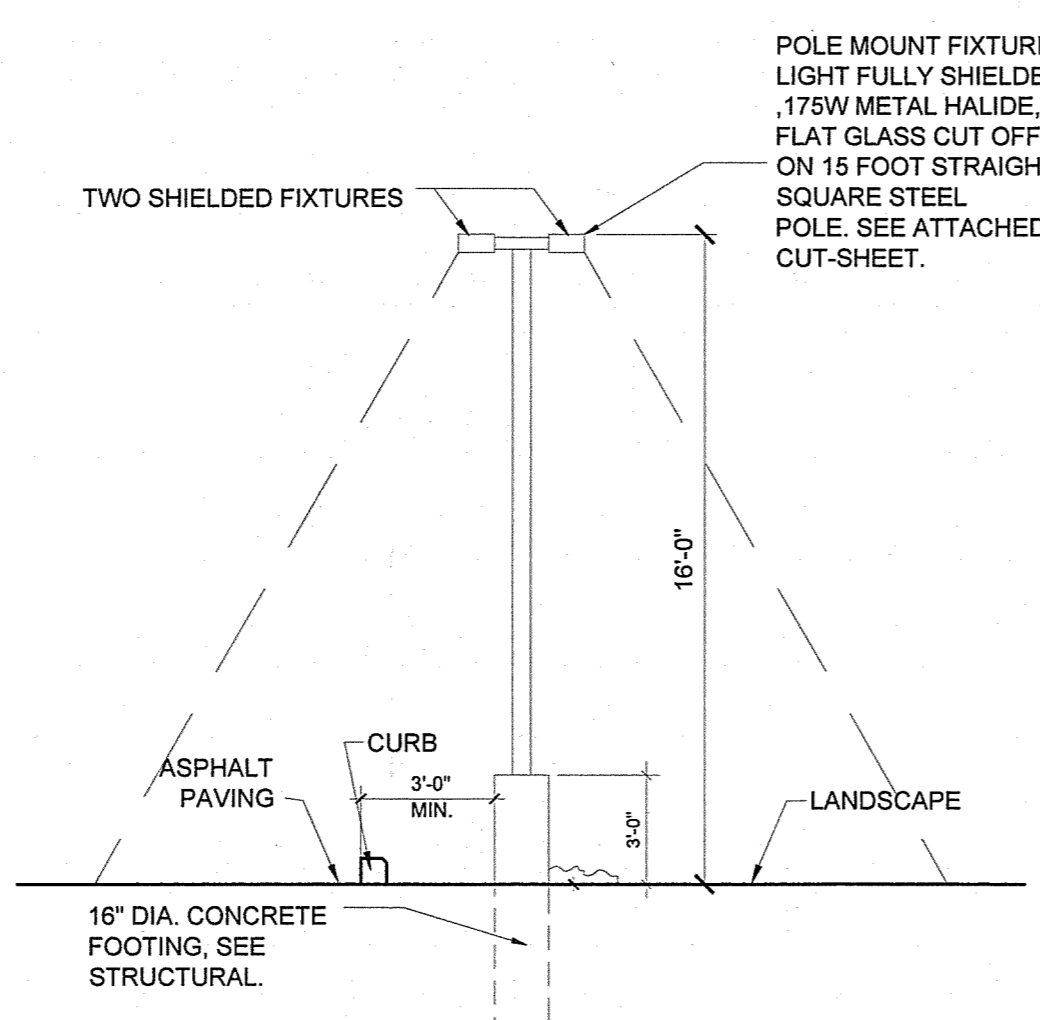
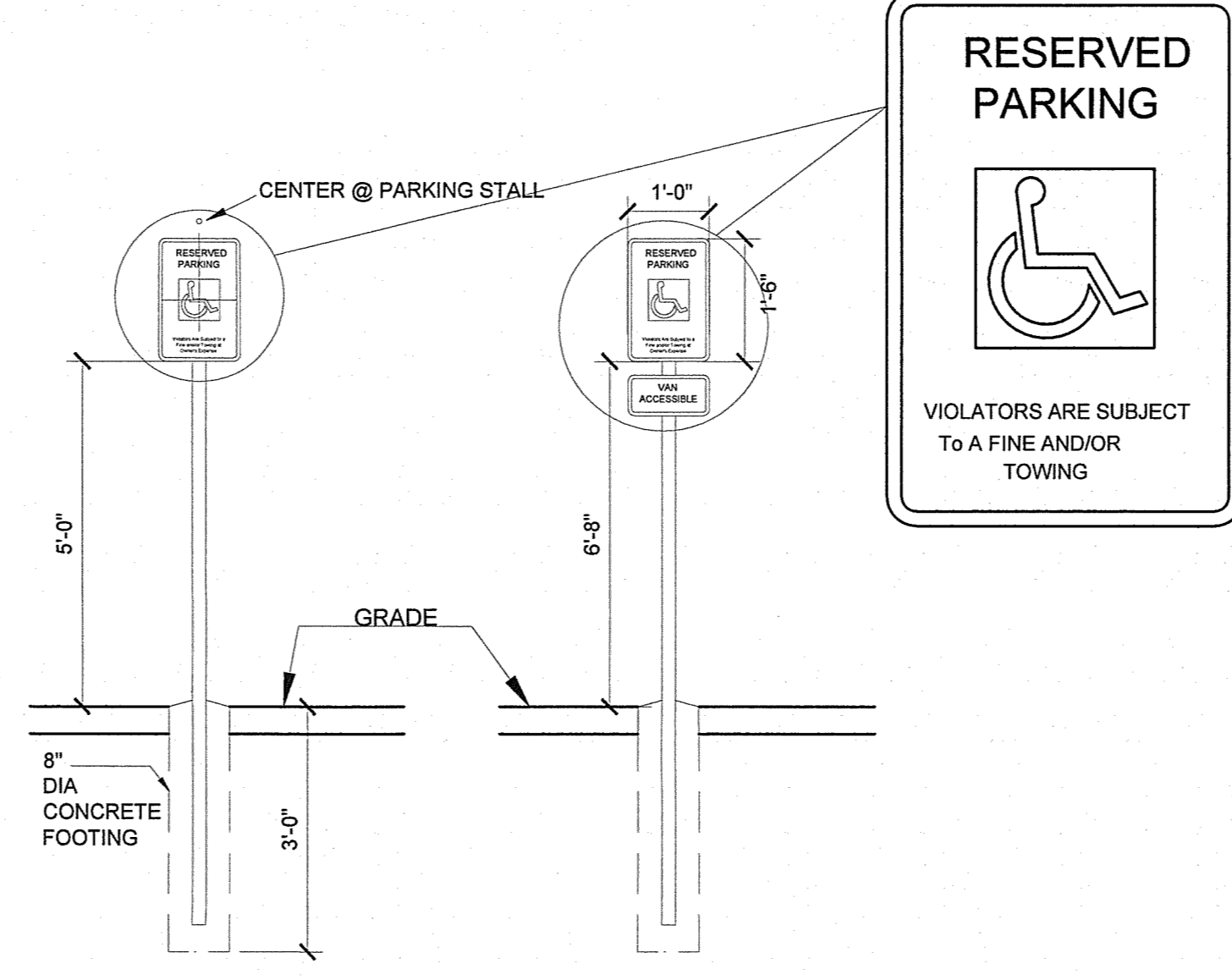


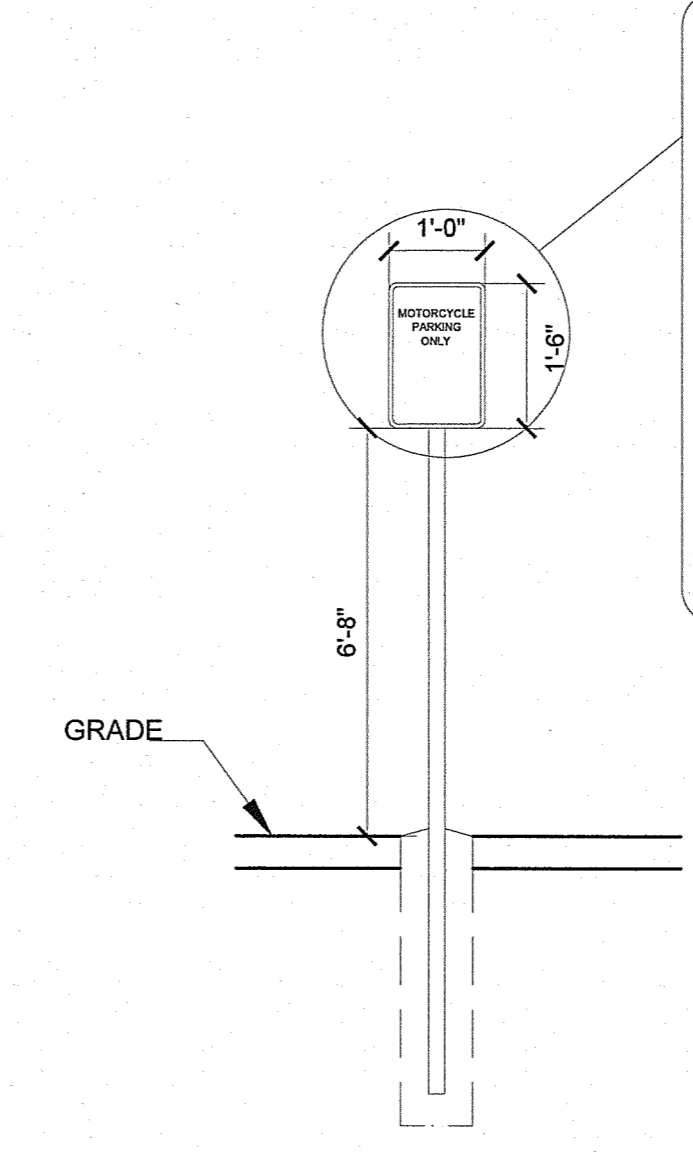
4 ACCESSIBLE STALLS  
SP-2 / SCALE: 3/16"=1'-0"



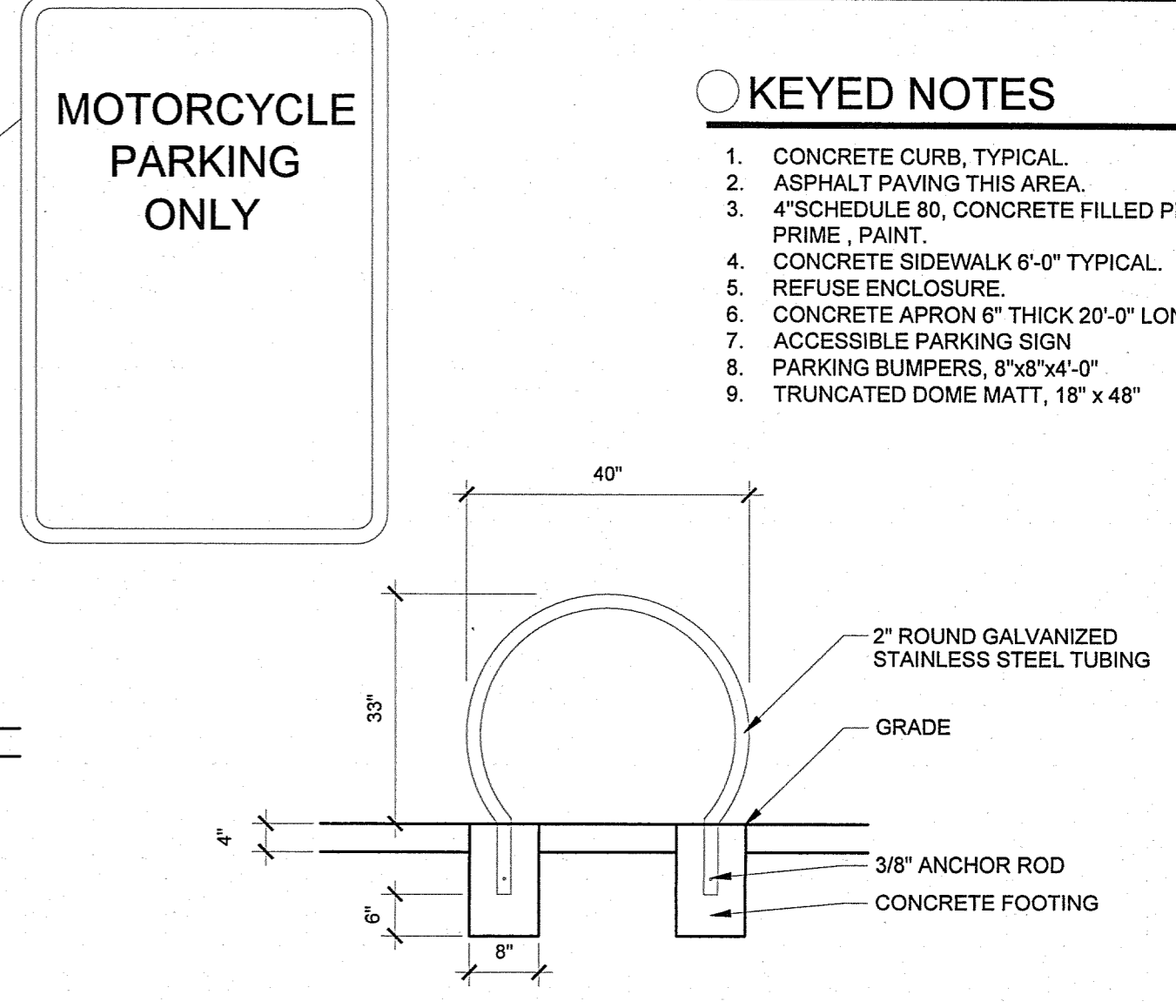
3 SHIELDED LIGHT POLE  
SP-2 / SCALE: 3/16"=1'-0"



2 ACCESSIBLE PARKING SIGN  
SP-2 / SCALE: 1/2"=1'-0"

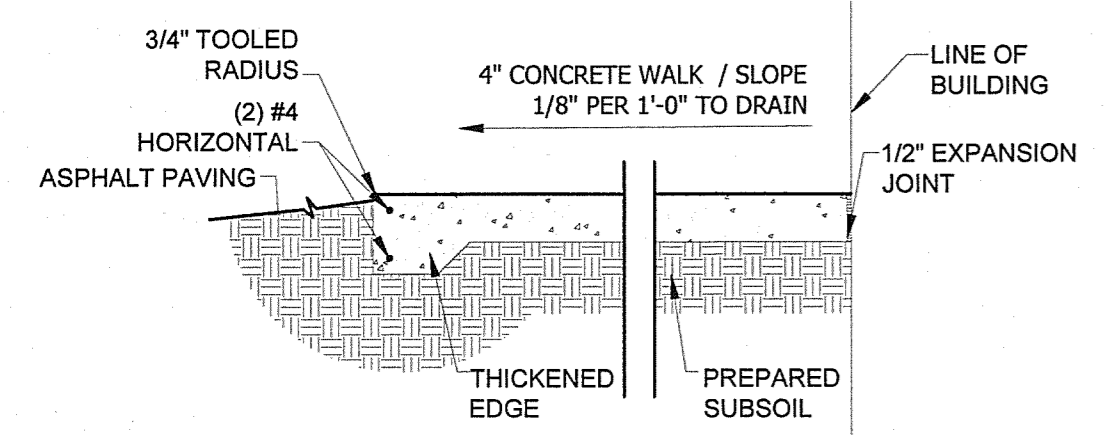


2A MOTORCYCLE PARKING SIGN  
SP-2 / SCALE: 1/2"=1'-0"

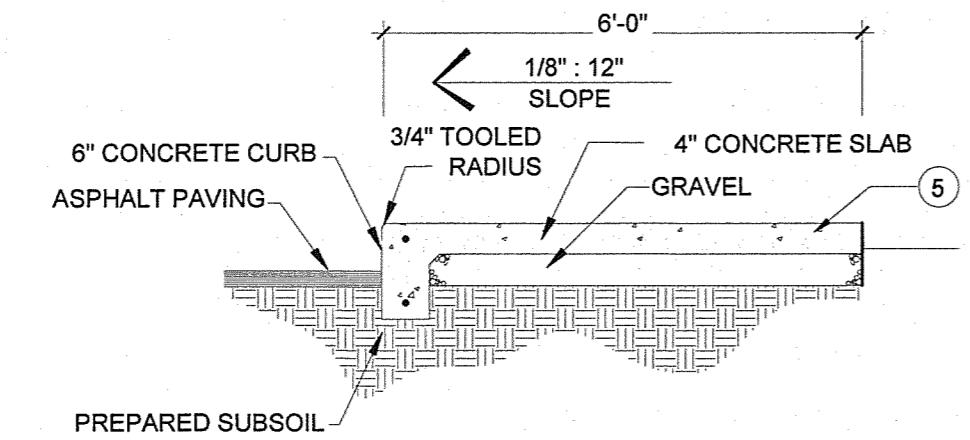


1 BIKE RACK  
SP-2 / SCALE: 1/2"=1'-0"

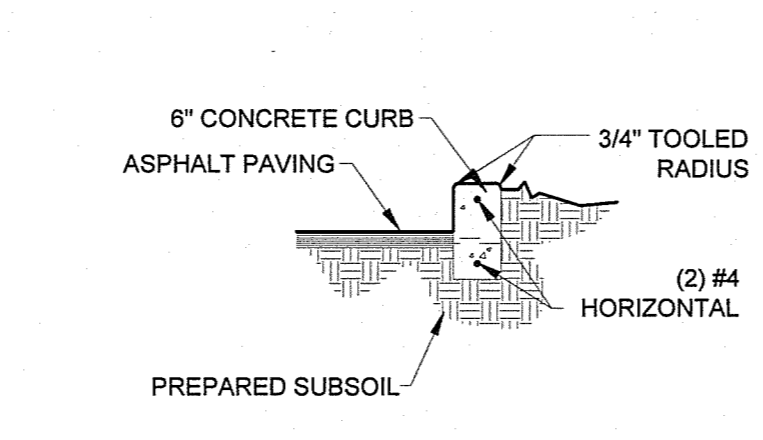
- KEYED NOTES**
1. CONCRETE CURB, TYPICAL.
  2. ASPHALT PAVING THIS AREA.
  3. 4" SCHEDULE 80, CONCRETE FILLED PIPE, PRIME PAINT.
  4. CONCRETE SIDEWALK 6'-0" TYPICAL.
  5. REFUSE ENCLOSURE.
  6. CONCRETE APRON 6" THICK 20'-0" LONG.
  7. ACCESSIBLE PARKING SIGN.
  8. PARKING BUMPERS, 8"x8"x4'-0"
  9. TRUNCATED DOME MATT, 18" x 48"



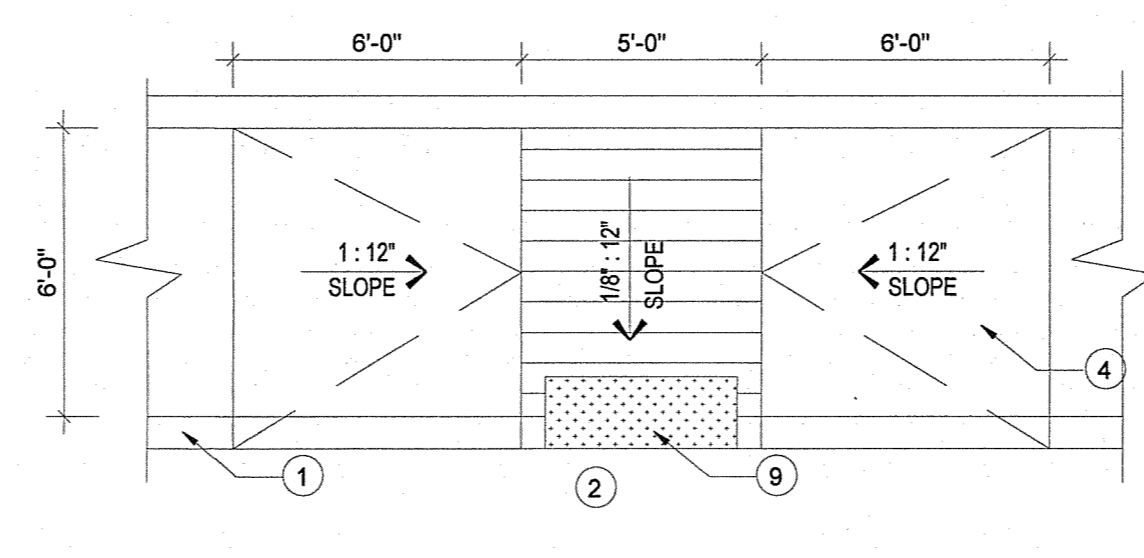
10 FLUSH SIDEWALK  
SP-2 / SCALE: 1/2"=1'-0"



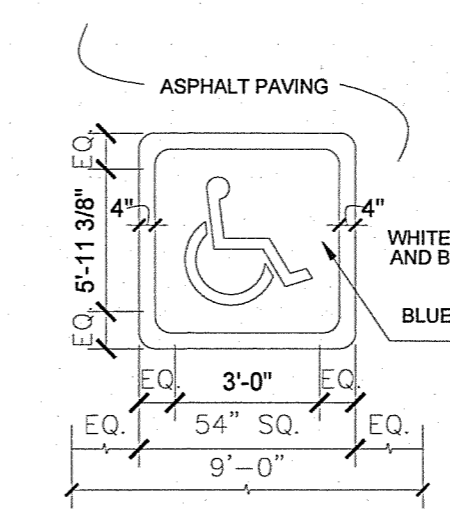
9 CONCRETE SIDE WALK CURB  
SP-2 / SCALE: 1/2"=1'-0"



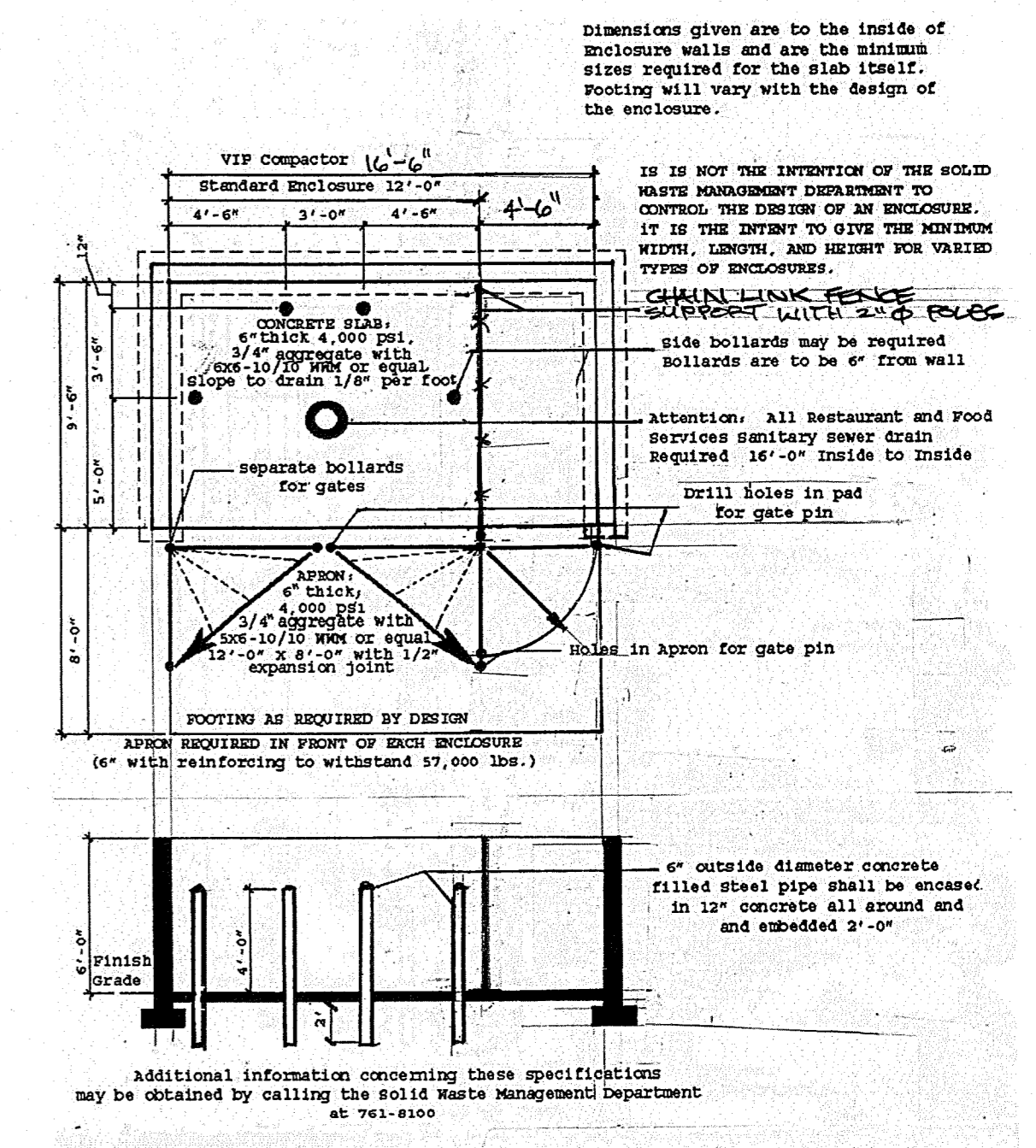
7 LANDSCAPE CURB DETAIL  
SP-2 / SCALE: 1/2"=1'-0"



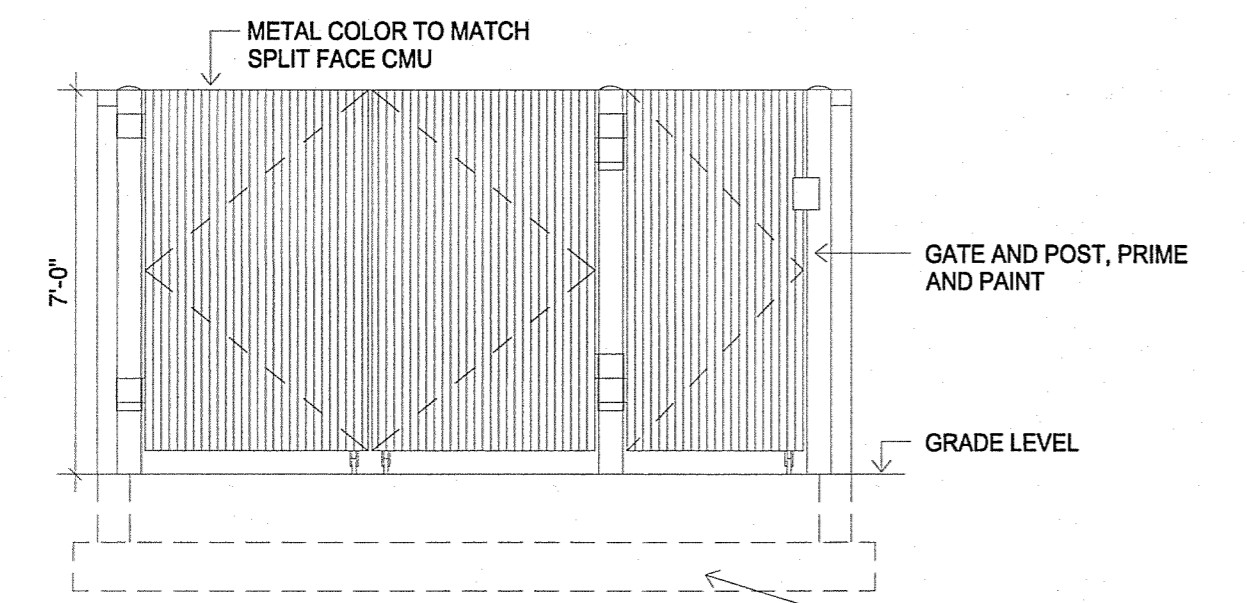
6 ACCESSIBLE SIDEWALK RAMP  
SP-2 / SCALE: 1/4"=1'-0"



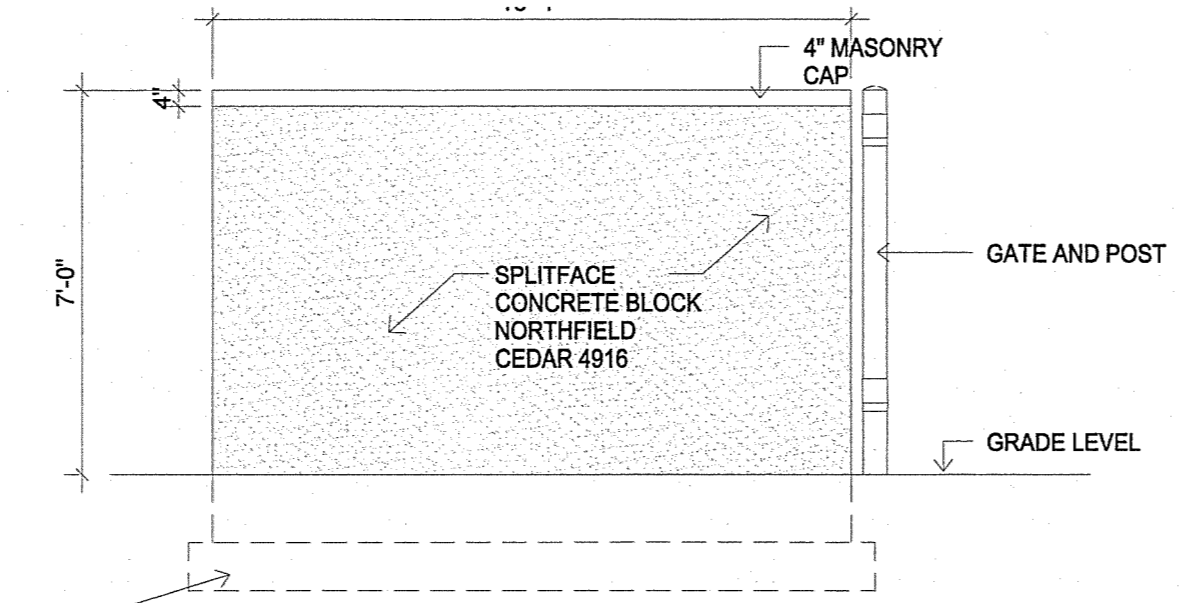
5 ACCESSIBLE PAVING SIGN  
SP-2 / SCALE: 1/4"=1'-0"



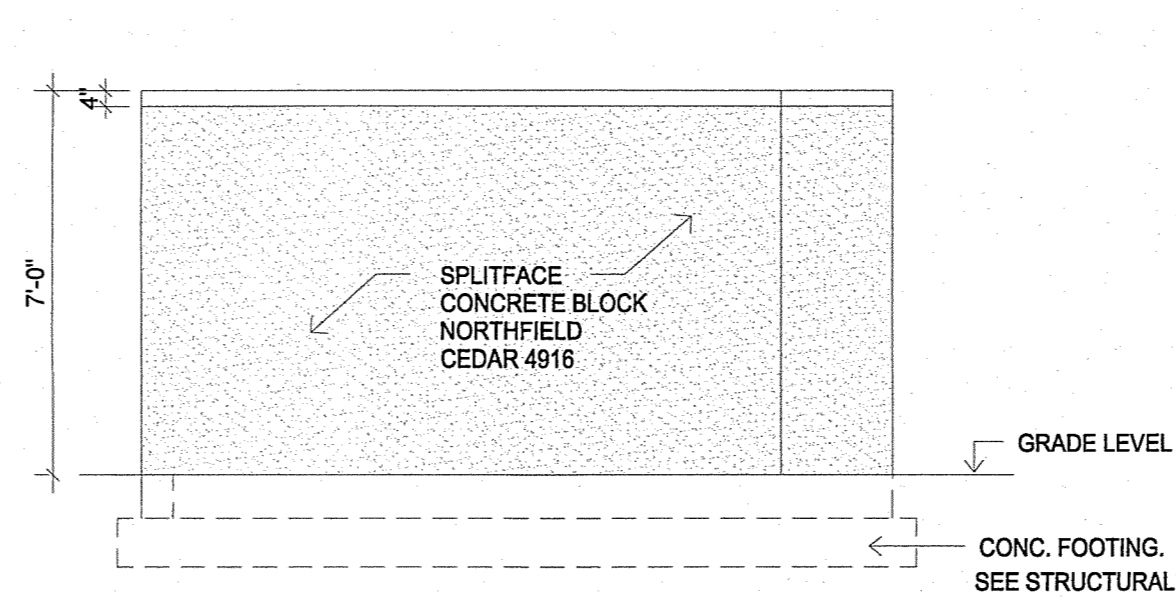
11 TRASH ENCLOSURE AND RECYCLE AREA  
SP-2 / SCALE: 3/16"=1'-0"



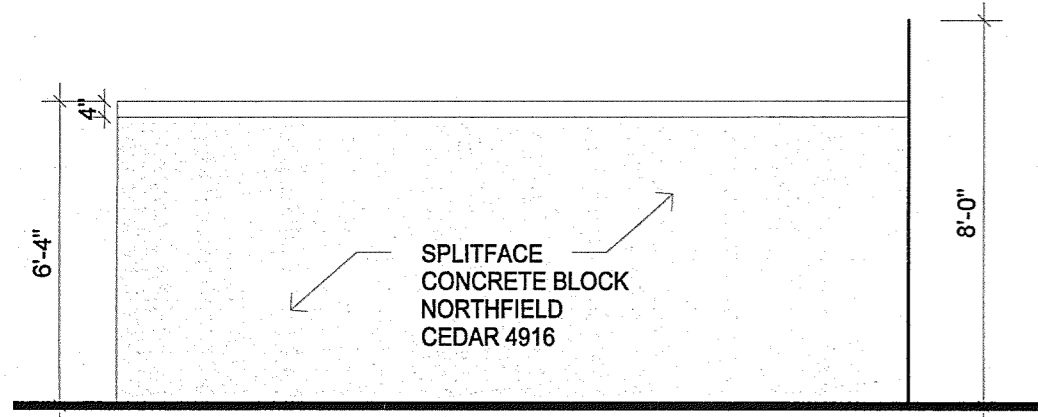
14 TRASH ENCLOSURE FRONT ELEVATION  
SP-2 / SCALE: 1/4"=1'-0"



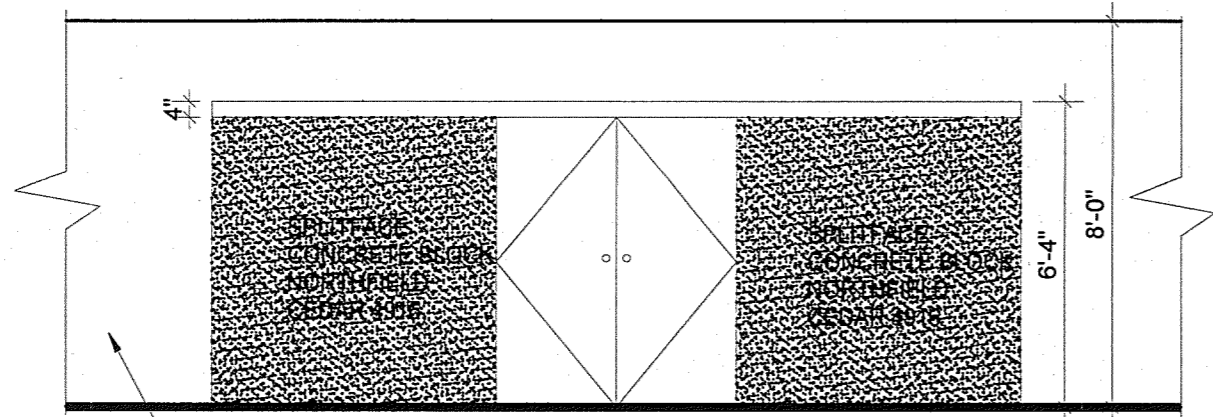
13 TRASH ENCLOSURE SIDE ELEVATION  
SP-2 / SCALE: 1/4"=1'-0"



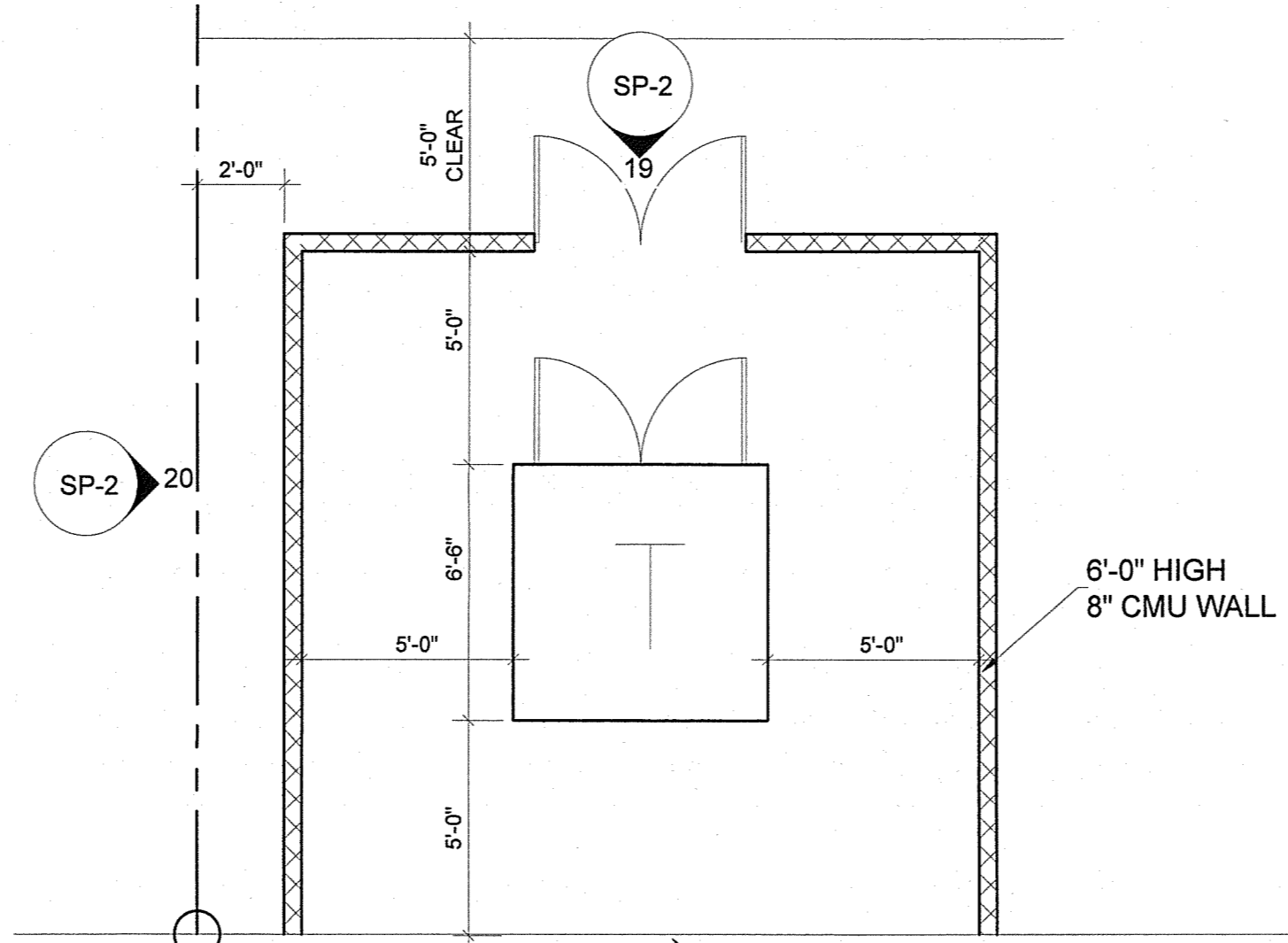
12 TRASH ENCLOSURE REAR ELEVATION  
SP-2 / SCALE: 1/4"=1'-0"



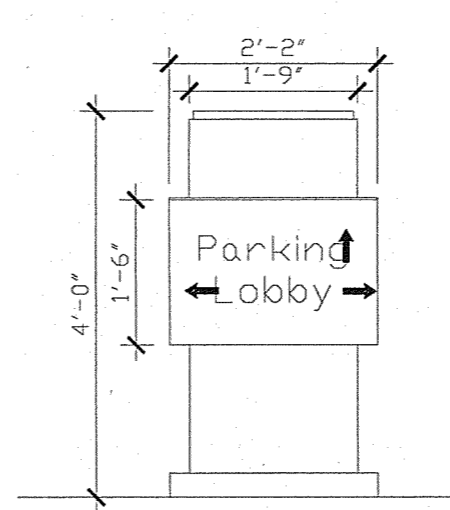
20 ELECTRICAL TRANSFORMER SIDE ELEVATION  
SP-2 / SCALE: 1/4"=1'-0"



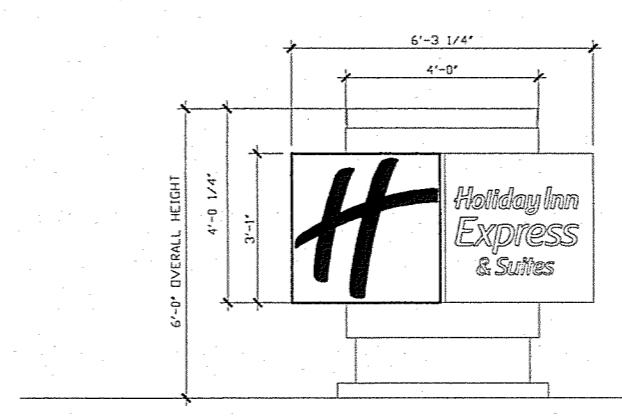
19 ELECTRICAL TRANSFORMER FRONT ELEVATION  
SP-2 / SCALE: 1/4"=1'-0"



18 ELECTRICAL TRANSFORMER PAD CLEARANCE / SCREEN  
SP-2 / SCALE: 1/4"=1'-0"



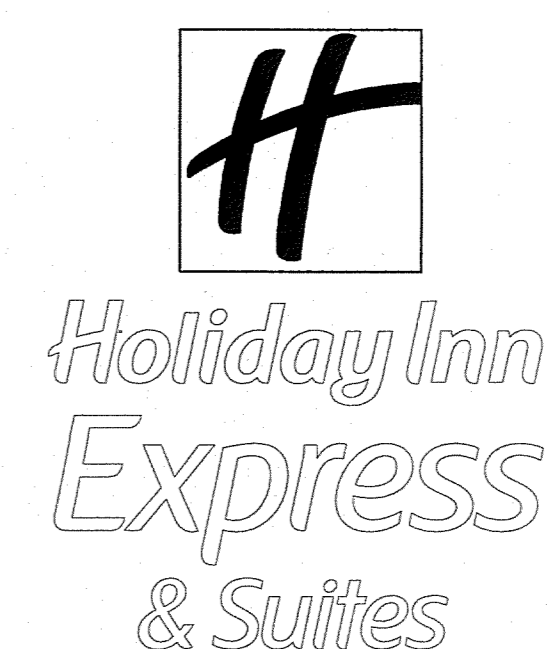
17 SIGN MODEL XDGIS-2  
SP-2 / SCALE: 1/2"=1'-0"



16 SIGN MODEL XPS-20  
SP-2 / SCALE: 1/4"=1'-0"



15 BUILDING MOUNTED SIGNAGE  
SP-2 / SCALE: 1/4"=1'-0"



**TCL ARCHITECTURAL SITE PLAN DETAILS**

Afra Construction & Design  
2501 Yale Blvd SE Suite 102  
Albuquerque, New Mexico 87106  
Tel 505.242.1745  
Fax 505.242.1737

**HOLIDAY INN EXPRESS**  
10501 COPPER AVENUE  
ALBUQUERQUE, NEW MEXICO 87123

REV	DATE	DESCRIPTION	APVD

SP-2  
06/05/2018