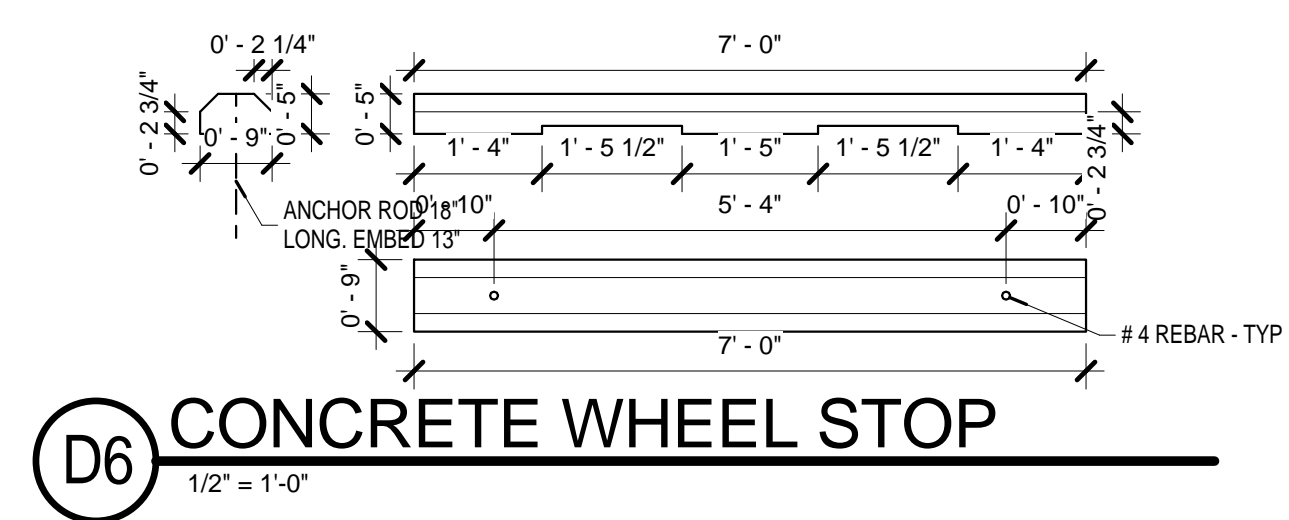


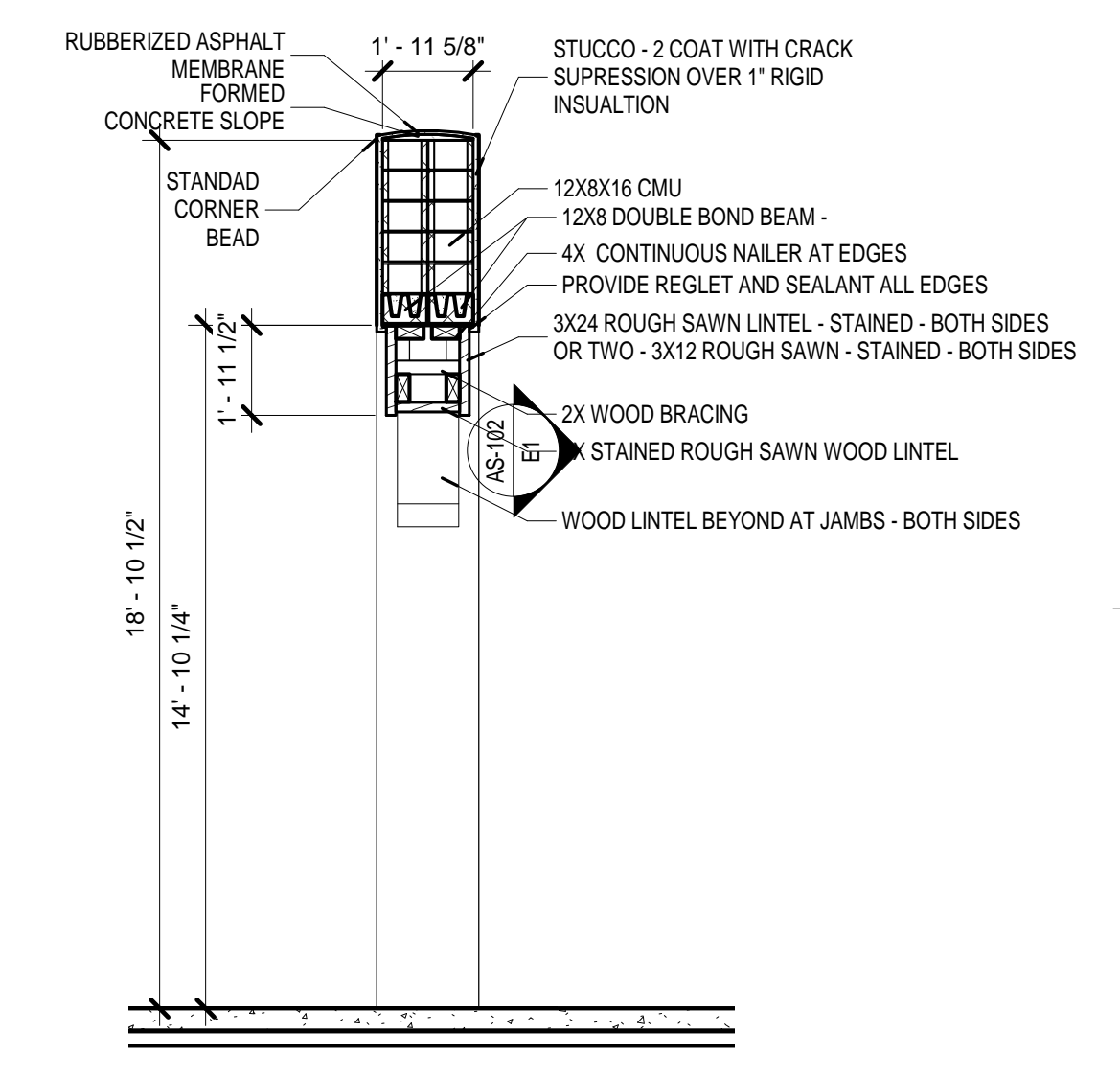
No	Date	Description
Revision Schedule		

ISSUE:	SD
PROJECT NUMBER:	1513
FILE:	1513AS-106.RVT
DRAWN BY:	Author
CHECKED BY:	Checker
DATE:	01/18/16

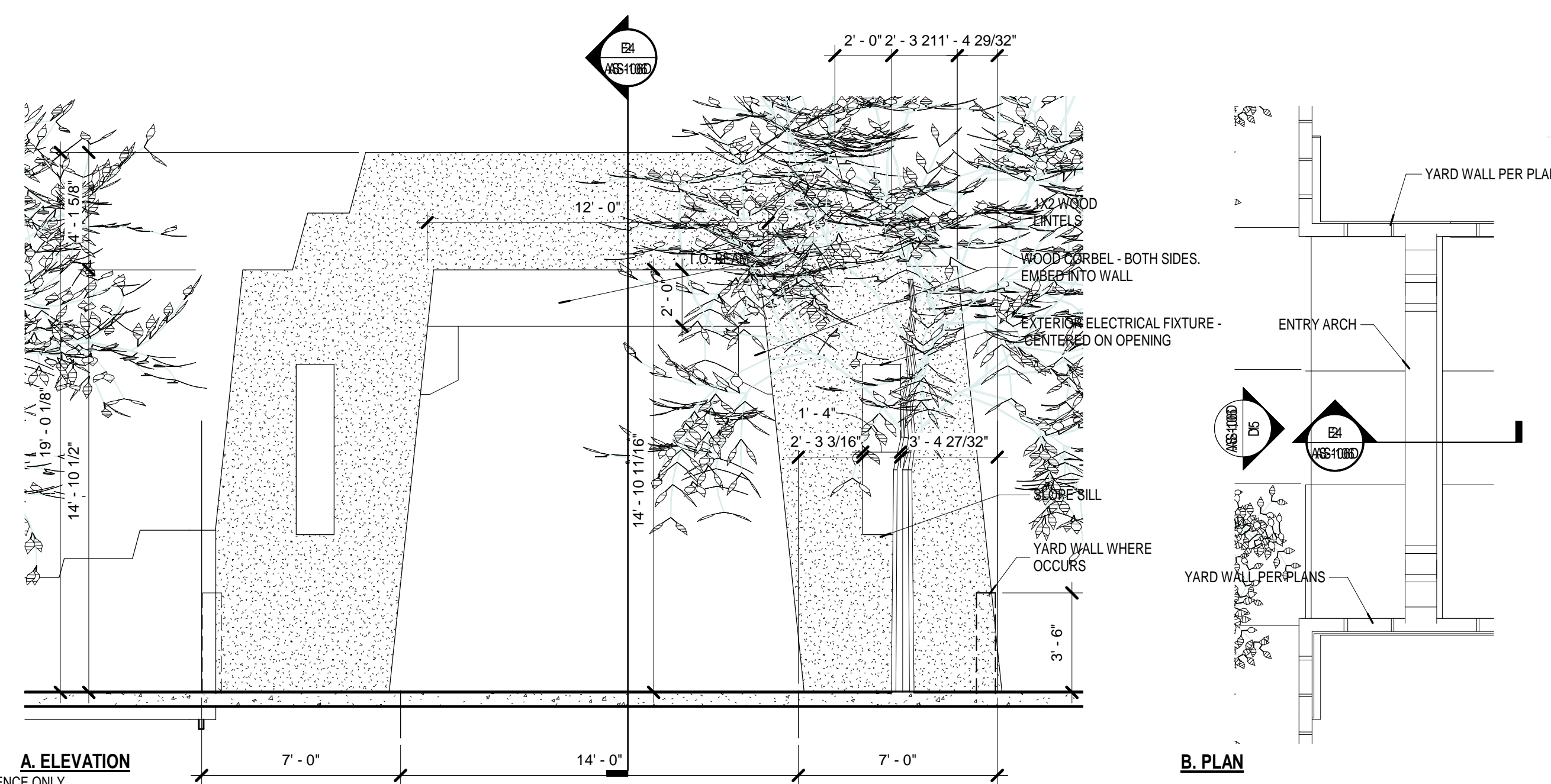
SHEET TITLE
SITE DETAILS



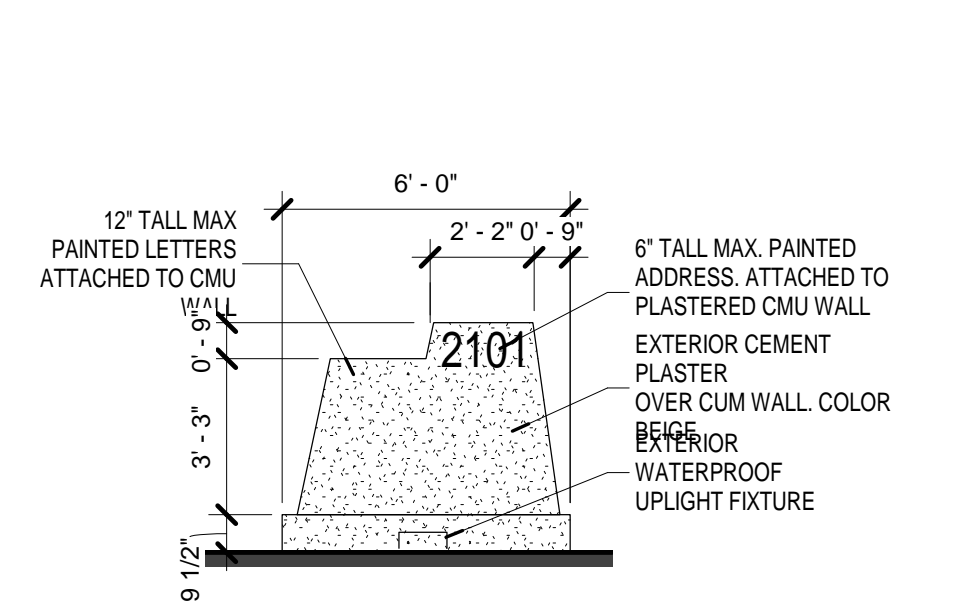
D6 CONCRETE WHEEL STOP
1/2" = 1'-0"



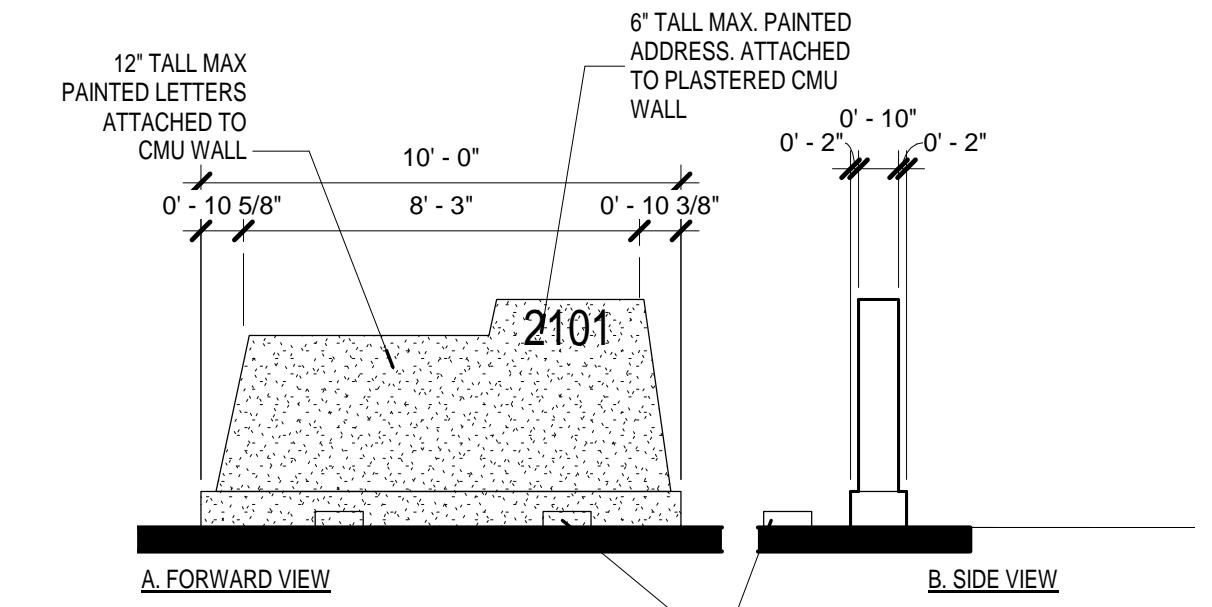
E4 ENTRY ARCH SECTION
1/4" = 1'-0"



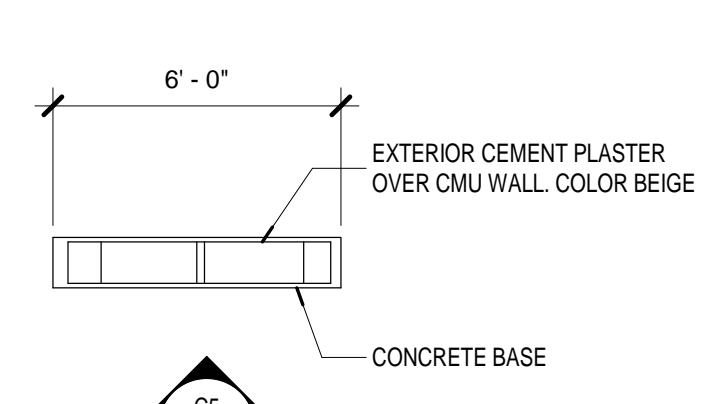
D5 ENTRY ARCH ELEVATION AND PLAN
1/4" = 1'-0"



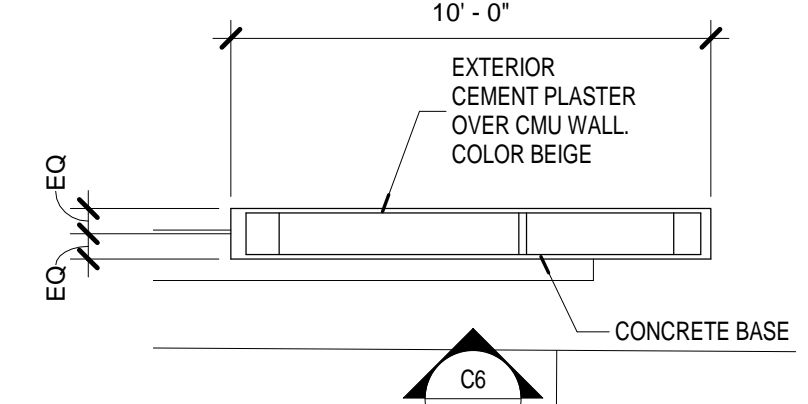
C5 MONUMENT SIGNAGE ELEVATION
1/4" = 1'-0"



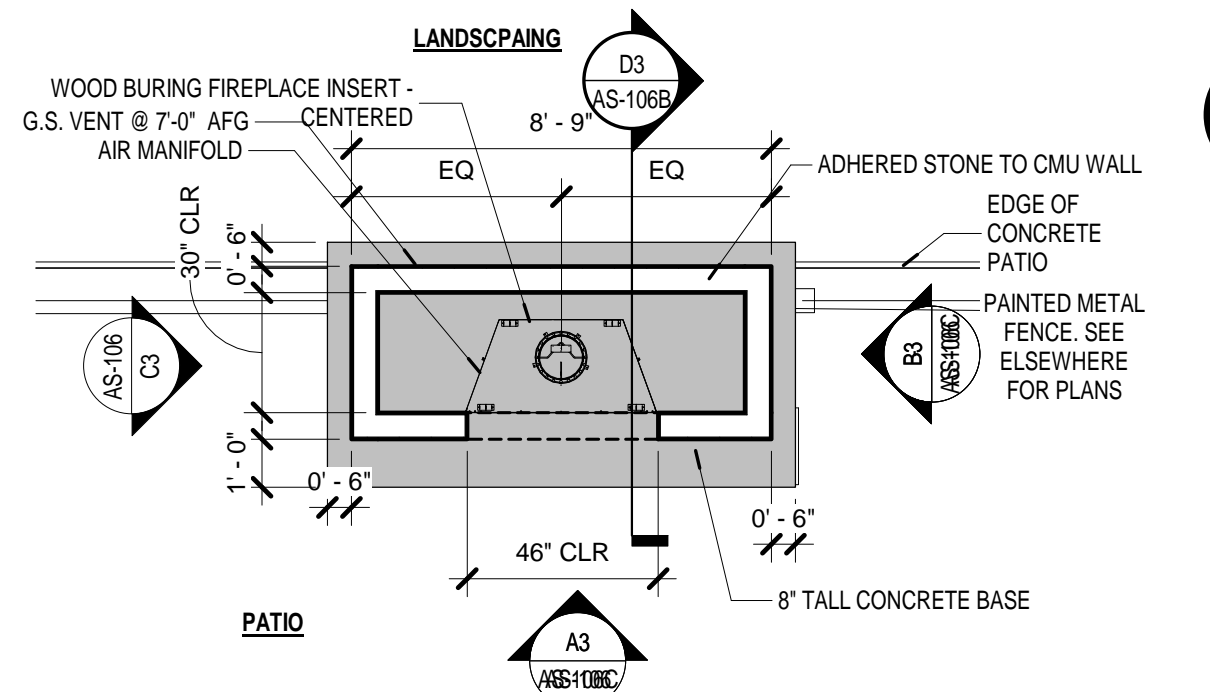
C6 MONUMENT SIGNAGE
1/4" = 1'-0"



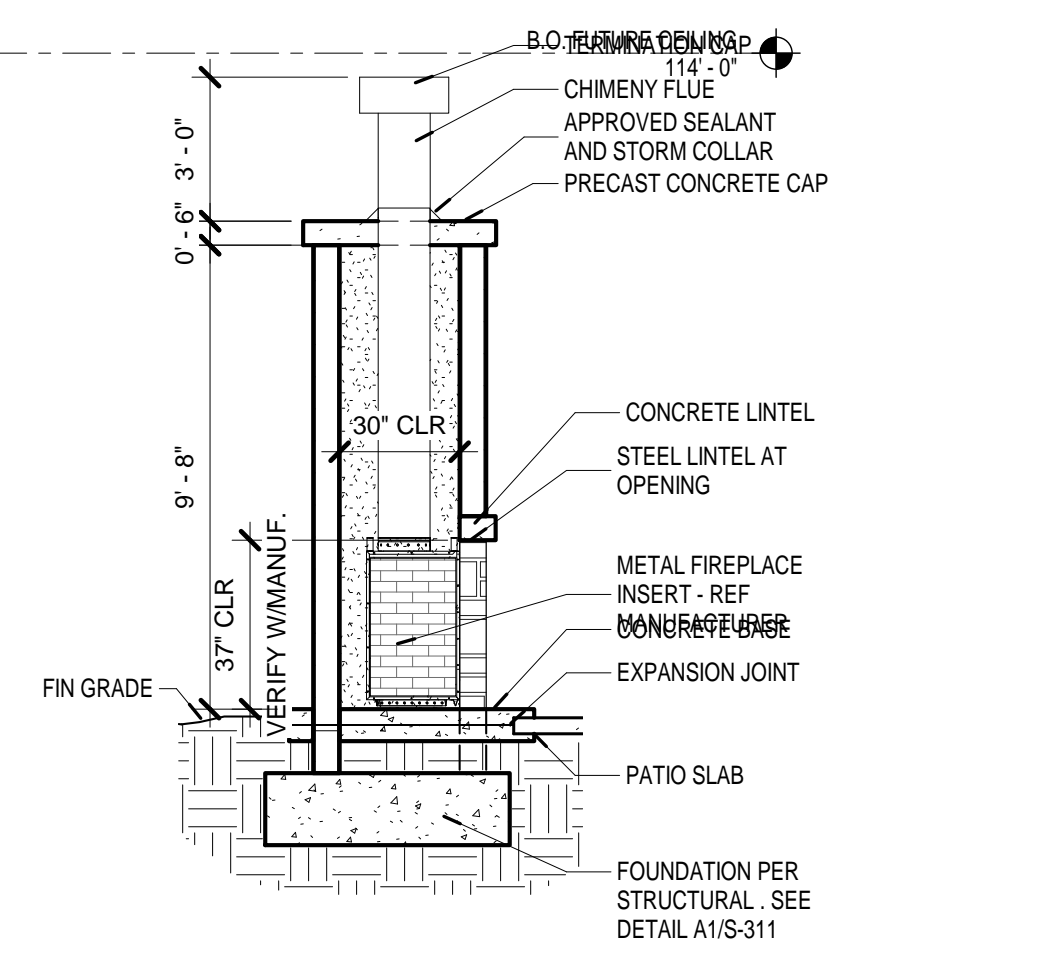
B5 SITE SIGNAGE
1/4" = 1'-0"



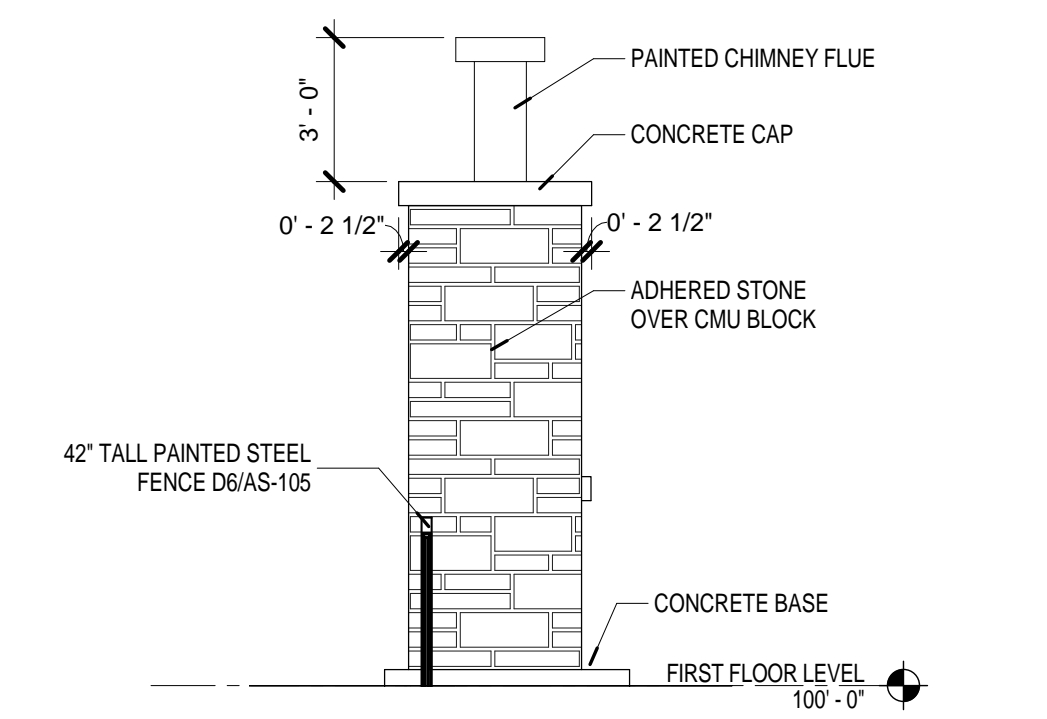
B6 SITE SIGNAGE PLAN
1/4" = 1'-0"



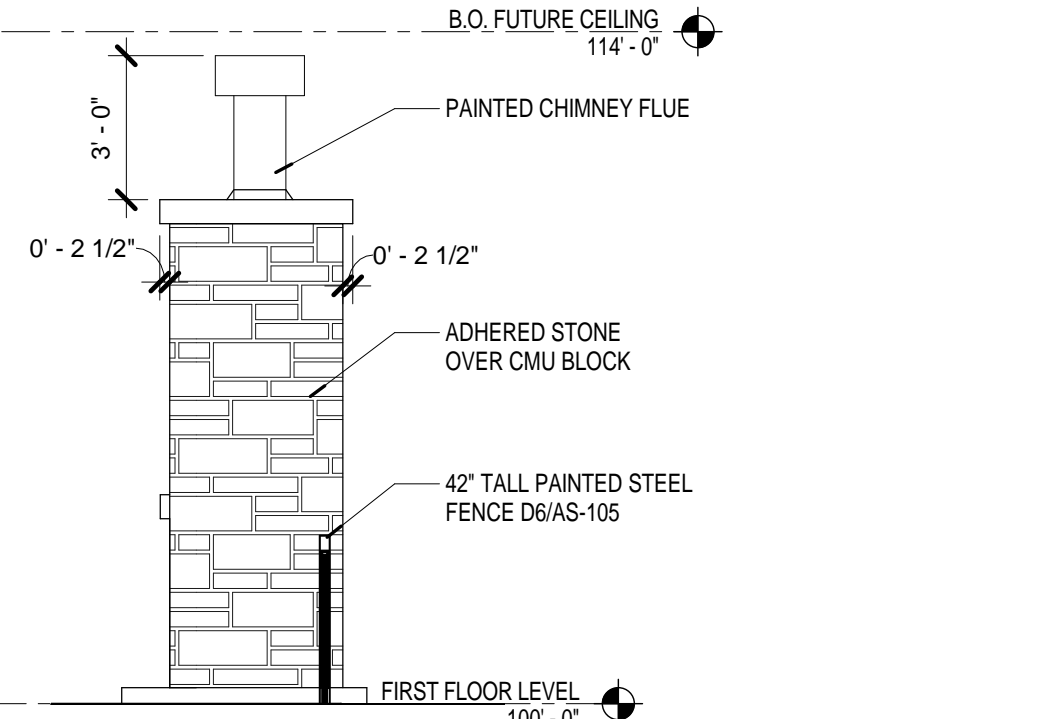
E3 FIREPLACE PLAN
1/4" = 1'-0"



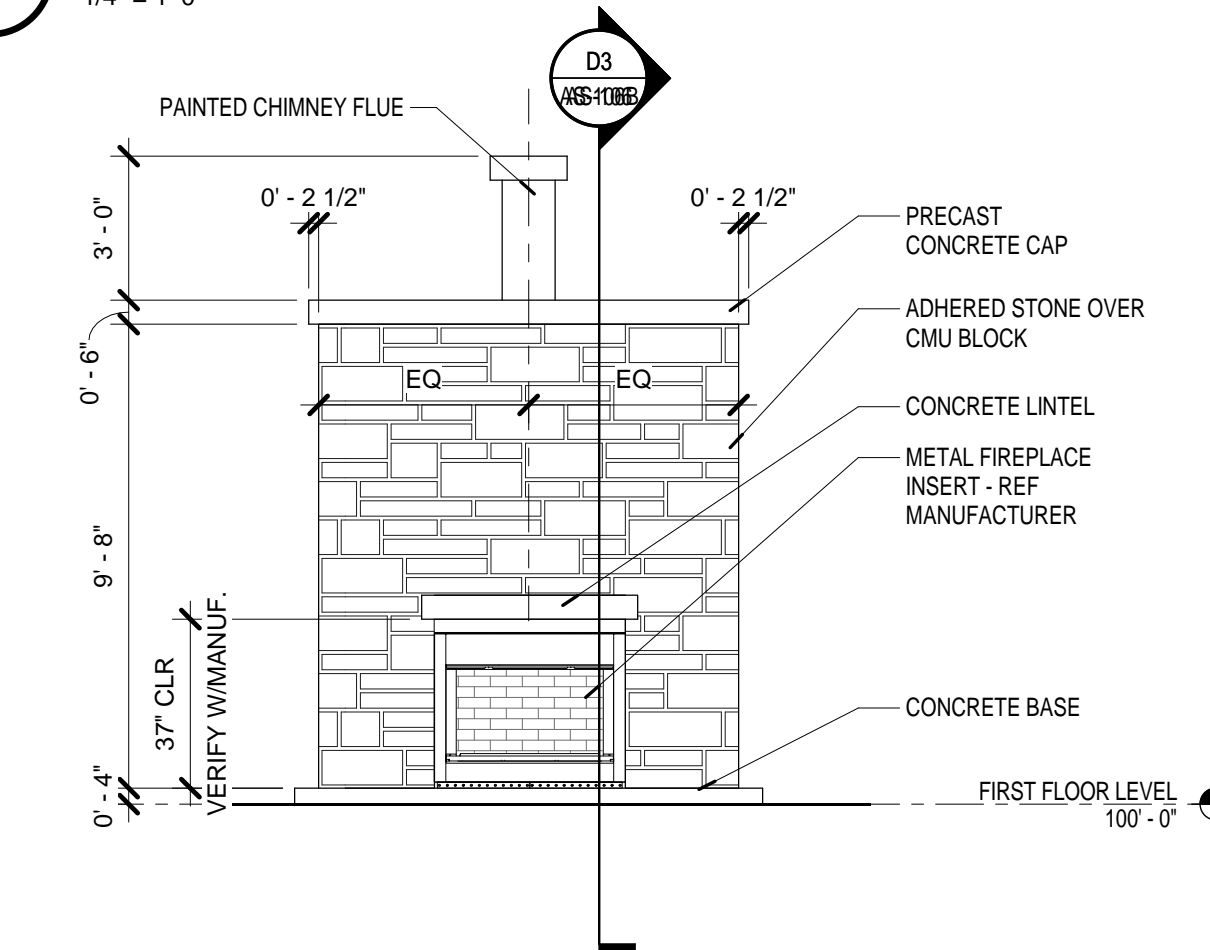
D3 FIREPLACE SECTION
1/4" = 1'-0"



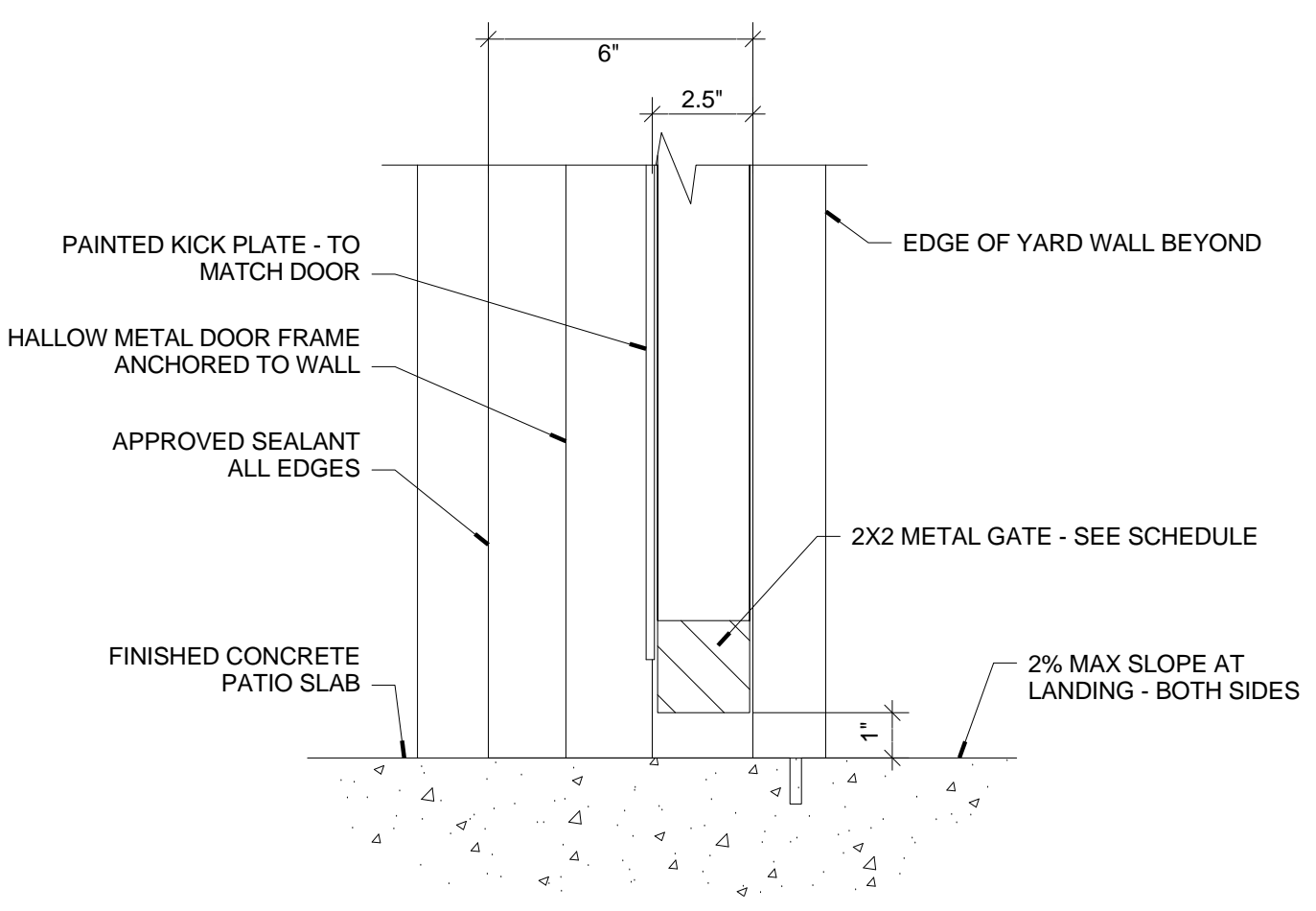
C3 FIREPLACE WEST
1/4" = 1'-0"



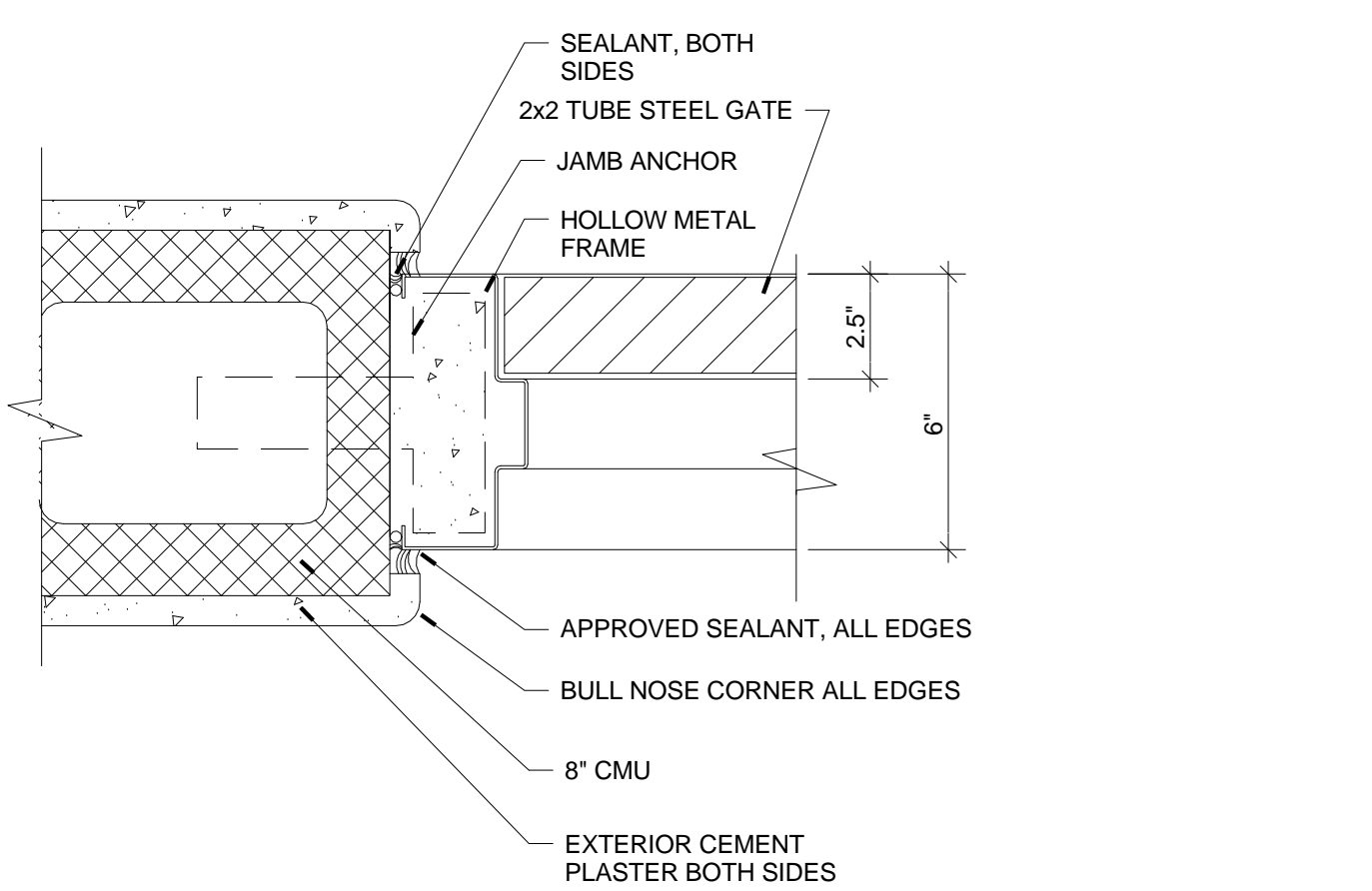
B3 FIREPLACE EAST
1/4" = 1'-0"



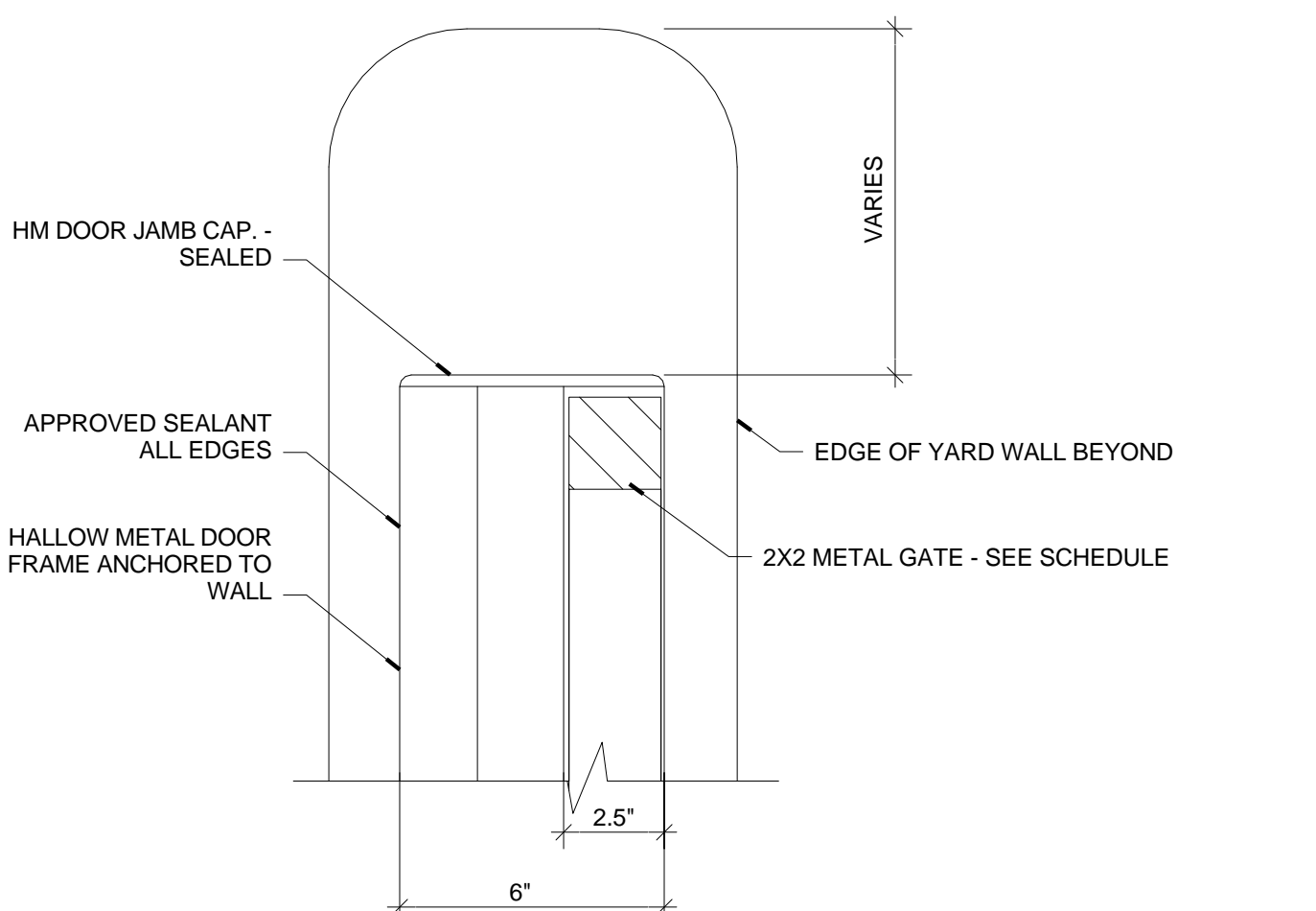
A3 FIREPLACE - SOUTH
1/4" = 1'-0"



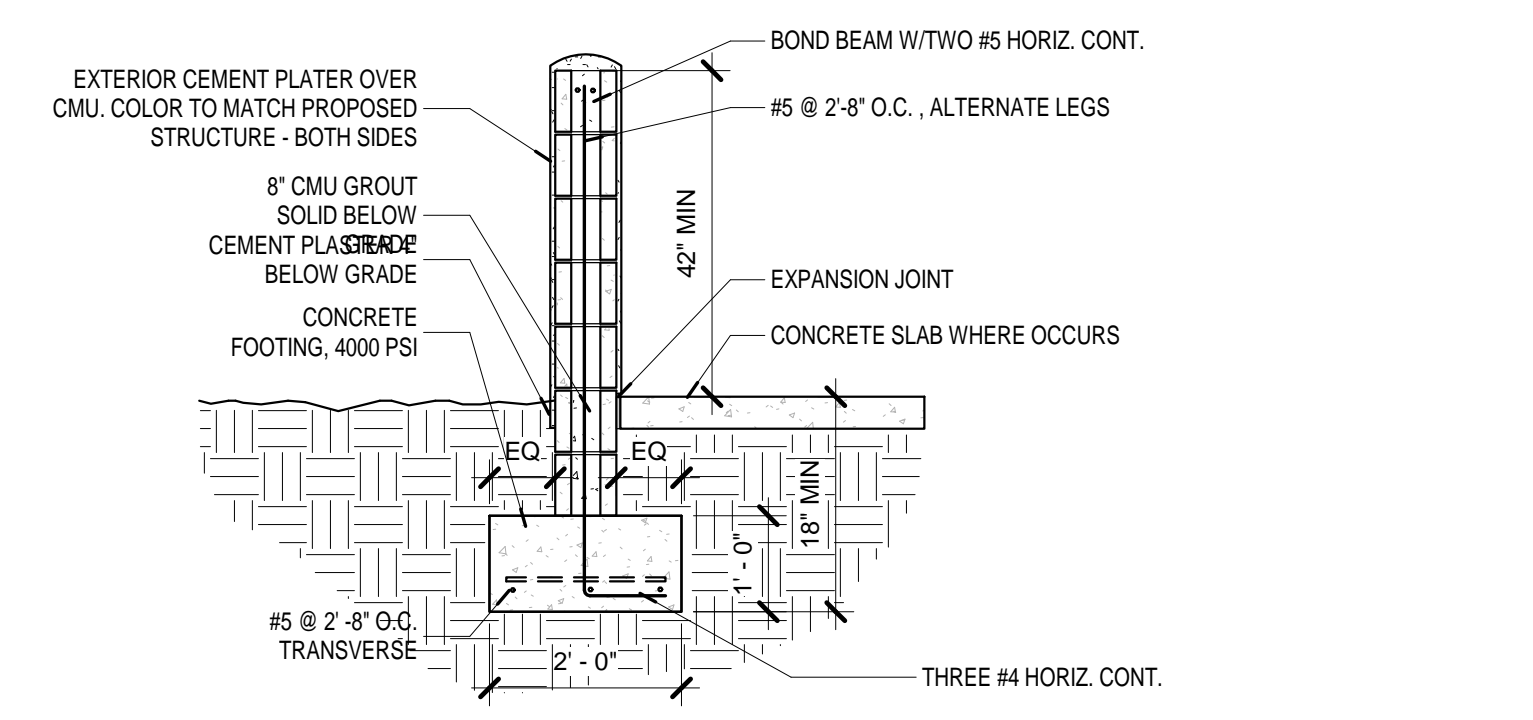
D2 GATE @ CMU SILL
3" = 1'-0"



C2 GATE @ CMU JAMB
3" = 1'-0"



B2 GATE @ CMU HEAD
3" = 1'-0"



A2 YARD WALL - TYPICAL
1/2" = 1'-0"