

LANDSCAPE LEGEND

QTY	SIZE	COMMON/BOTANICAL	H2O USE
Trees			
2	2" Cal.	Chinese Pistache <i>Pistacia chinensis</i>	1225 2450 M+
4	2" cal	Honey Locust <i>Gleditsia triacanthos</i>	2025 8100 M
2	6 - 8'	Austrian Pine <i>Pinus nigra</i>	625 1250 M
2	4 - 6'	Palm Yucca <i>Yucca faxoniana</i>	36 72 M
1	15 Gal.	Oklahoma Redbud <i>Cercis reniformis</i>	144 1000 M
Shrubs & Groundcovers			
2	15 Gal.	Desert Willow <i>Chilopsis linearis</i>	625 1250 M
12	5 Gal	India Hawthorne <i>Raphiolepis indica</i>	25 300 M
22	1 Gal	Feather Reed Grass <i>Calamagrostis arudinacea</i>	4 88 M
10	5 Gal	Wintergreen Barberry <i>Berberis julianae</i>	25 450 M
5	5 Gal	Butterfly Bush <i>Buddleia davidii</i>	25 125 M
4	5 Gal	Winter Jasmine <i>Jasminum nudiflorum</i>	144 576 M
23	5 Gal	Buffalo Juniper <i>Juniperus sabina 'Buffalo'</i>	144 3312 M
11	1 Gal	Cherry Sage <i>Salvia greggii</i>	2x3 9 99 M
10	1 Gal	Blue Mist <i>Caryopteris x clandonensis</i>	3x3 9 162 M
10	1 Gal	Fern Bush <i>Chamaebatiaria millefolium</i>	5x6 36 360 L
8	1 Gal	Apache Plume <i>Fallugia paradoxa</i>	6x7 49 392 L
13	1 Gal	Chamae <i>Chrysothamnus nauseosus</i>	5x7 49 637 L
16	2-3cf	Boulders To be placed at contractor discretion	
		Landscape Gravel / Filter Fabric 3/4" Crushed Gray Gravel	11672 100
		Oversize Landscape Gravel / Filter Fabric 2-4" Santa Ana Tan around Yucca's	

LANDSCAPE NOTES:
Landscape maintenance shall be the responsibility of the Property Owner. The Property Owner shall maintain street trees in a living, healthy, and attractive condition.

It is the intent of this plan to comply with the City of Albuquerque Water Conservation Landscaping and Water Waste Ordinance planting restriction approach. Approval of this plan does not constitute or imply exemption from water waste provisions of the Water Conservation Landscaping and Water Waste Ordinance.

Water management is the sole responsibility of the Property Owner. All landscaping will be in conformance with the City of Albuquerque Zoning Code, Street Tree Ordinance, Pollen Ordinance, and Water Conservation Landscaping and Water Waste Ordinance. In general, water conservative, environmentally sound landscape principles will be followed in design and installation.

Plant beds shall achieve 75% live ground cover at maturity.

Brown Gravel over Filter Fabric to a minimum depth of 3" shall be placed in all landscape areas which are not designated to receive native seed.

No changes or substitutions shall be made to this plan without the express written consent of the Landscape Architect of record.

This plan is the exclusive property of the Hilltop and is provided to the client per a design build agreement. If the Hilltop is not the landscape installation contractor, a design fee equal to 5% of the contract shall be paid to the Hilltop by the owner, prior to release of plans.

The Landscape Architect of record reserves the right to inspect the installation and reject any and all irrigation, plant materials and gravel, and have replaced at the contractors expense, any item not in compliance with the intent of this plan.

IRRIGATION NOTES:
Irrigation shall be a complete underground system with Trees to receive 1 Netafim spiral (50' length) with 3 loops at a final radius of 45' from tree trunk, primed in place. Netafim shall have emitters 12" o.c. with a flow of 6 gph. Shrubs to receive (2) 1/2 GPH Drip Emitters. Drip and Bubbler systems to be tied to 1/2" poly pipe with flush caps at each end. Trees and shrubs shall be on separate valves.

Run time per each shrub drip valve will be approximately 15 minutes per day. Tree drip valve shall run 15 hours, 3 times per week. Run time will be adjusted according to the season.

Point of connection for irrigation system is unknown at current time and will be coordinated in the field. Irrigation will be operated by automatic controller.

Location of controller to be field determined and power source for controller to be provided by others.

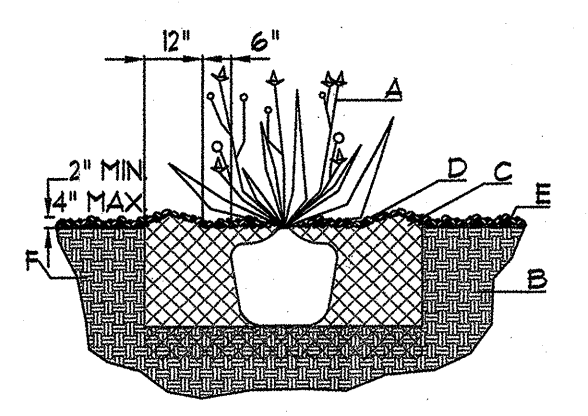
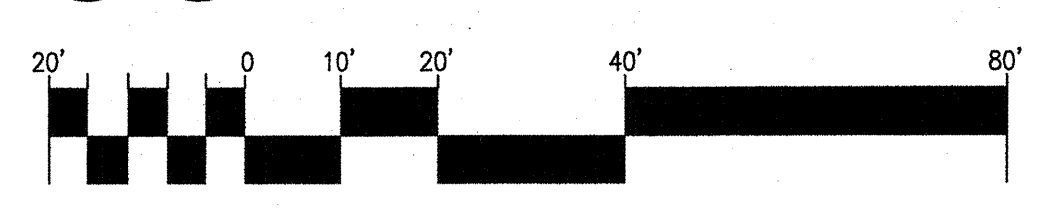
Irrigation maintenance shall be the responsibility of the Property Owner.

Water and Power source shall be the responsibility of the Developer/Builder.

LANDSCAPE CALCULATIONS

TOTAL LOT AREA (sf)	46005
MINUS TOTAL BUILDING AREA (sf)	-1600
NET LOT AREA	38395
LANDSCAPE REQUIREMENT	x 20
TOTAL LANDSCAPE REQUIRED (20%)	7679
TOTAL LANDSCAPE PROVIDED	11672
TOTAL LIVE PLANT COVER REQUIRED (75%)	8754
TOTAL LIVE PLANT COVER PROVIDED	20631

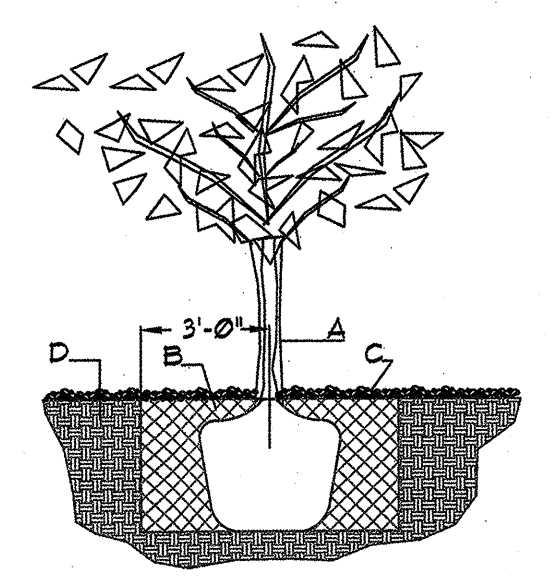
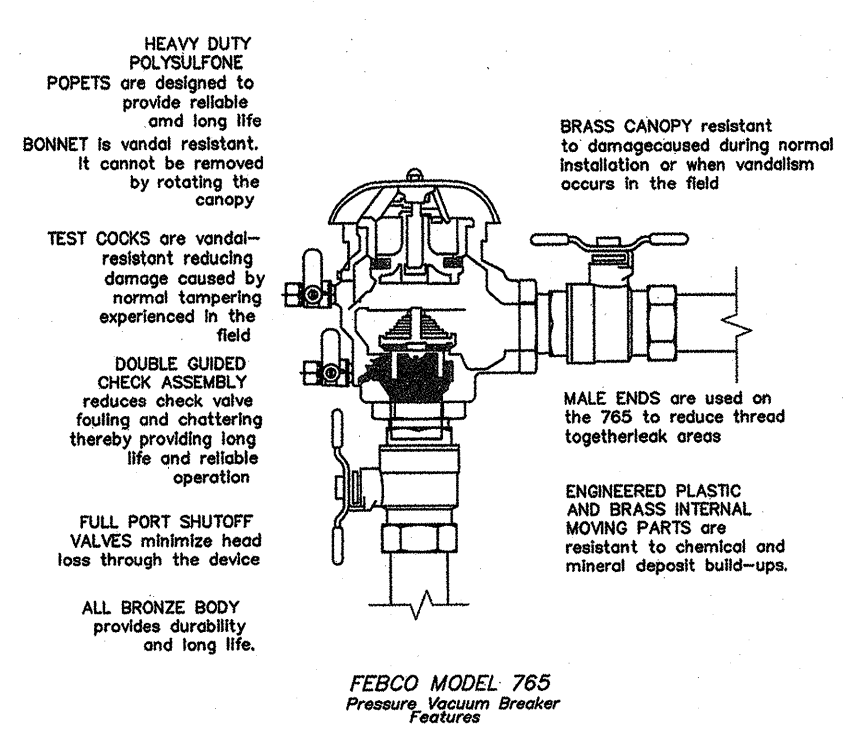
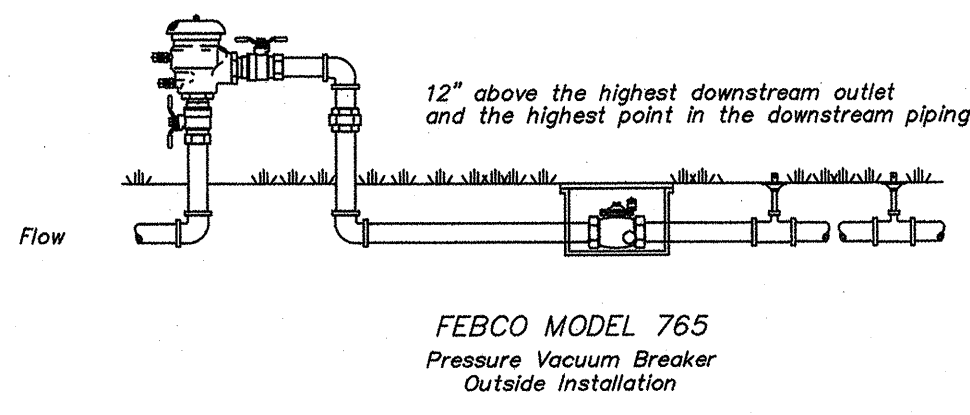
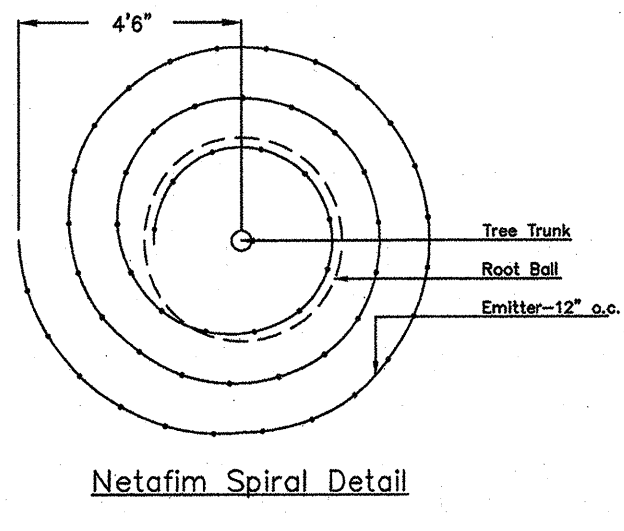
Landscape Plan
Scale: 1"=20'-0"



SHRUB PLANTING DETAIL
NTS

GENERAL NOTES:
1. THE OUTSIDE DIAMETER OF THE WATER RETENTION BASIN SHALL BE TWICE THE DIAMETER OF THE SHRUB PLANTING PIT.

CONSTRUCTION NOTES:
A. SHRUB.
B. BACKFILL WITH EXISTING SOIL.
C. EARTH BERM AROUND WATER RETENTION BASIN.
D. 3" DEPTH OF GRAVEL MULCH.
E. FINISH GRADE.
F. UNDISTURBED SOIL.



TREE PLANTING DETAIL
NTS

GENERAL NOTES:
1. ROOTBALL SHALL BE PLACED ON UNDISTURBED SOIL TO PREVENT TREE FROM SETTLING.
2. TOP OF ROOTCOLLAR INDICATED LEVEL AT WHICH TREE WAS GROWN AND DUG; THIS REPRESENTS THE LEVEL AT WHICH THE TREE SHOULD BE INSTALLED; THAT LEVEL MAY BE EXCEEDED BY ONLY A ONE INCH LAYER OF SOIL.
3. PRIOR TO BACKFILLING TREE, ALL WIRE, ROPE AND SYNTHETIC MATERIALS SHALL BE REMOVED FROM THE TREE AND THE PLANTING PIT.
4. PRIOR TO BACKFILLING ALL BURLAP SHALL BE CUT AWAY EXCEPT FROM BOTTOM OF THE ROOTBALL.

CONSTRUCTION NOTES:
A. TREE.
B. BACKFILL WITH EXISTING SOIL.
C. 3" DEPTH OF GRAVEL MULCH.
D. UNDISTURBED SOIL.

revision
by
date
rev

MH
Mullen Heller
Architecture P.C.

1718 Central Avenue SW
Suite D
Albuquerque 87104
505 268 4144 [p]
505 268 4244 [f]

STATE OF NEW MEXICO
DANNY D. MITCHELL
239
REGISTERED
LANDSCAPE ARCHITECT

17-04
AV
Douglas Heller, AIA
05-16-2017

job number
drawn by
project manager
date

project title
Smiles for Kids Dental Office PHASE 2
9211 Eagle Ranch Road, NW,
Albuquerque, New Mexico 87114
sheet title
Landscape Plan

sheet
L001