

- GENERAL NOTES:
1. LANDSCAPE MAINTENANCE WILL BE PERFORMED BY THE CITY'S WASTEWATER UTILITY DEPARTMENT PERSONAL.
  2. LANDSCAPING WILL COMPLY WITH CITY WATER CONSERVATION AND WATER WASTE ORDINANCES.
  3. RUSSIAN OLIVE TREES WILL BE DRIP IRRIGATED.
  4. LANDSCAPING AREA PROVIDED = 220 sqf.
  5. "DANGER: HAZARDOUS CHEMICALS" SIGNS 10"H x 14"W WILL BE PLACED ON GATE ENTRANCE AND ON FENCE AT PROMINENT LOCATIONS ON THE REMAINING THREE SIDES.
  6. ALL SITE LIGHTING, FREE-STANDING AND BUILDING-MOUNTED, SHALL BE SHIELDED WITH FULL CUT-OFF FIXTURES MOUNTED NO HIGHER THAN SIXTEEN FEET.
  7. NOISE PRODUCED BY OUTSIDE ENGINES ON SITE SHALL BE MITIGATED TO MEET THE CITY NOISE ORDINANCE.
  8. COORDINATE WITH CITY PARKS DEPARTMENT DURING CONSTRUCTION.
  9. DELIVERY OF CHEMICALS WILL BE APPROXIMATELY ONCE PER MONTH AND WILL BE TIMED TO COINCIDE WITH LOW TRAFFIC TIMES.

PROJECT # 1000896 02DRB - 00777

CASE NUMBER: Z- 00128-00000-01508

This plan is consistent with the specific site development plan approval by the Environmental Planning Commission (EPC) on December 21, 2000 and that the findings and conditions in the Official Notice; Notification of Decision have been complied with:

**SITE DEVELOPMENT PLAN**

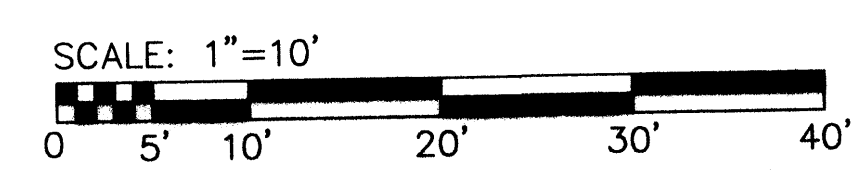
<i>Richard D. Davis</i> Traffic Engineer, Transportation Division	6-05-02 Date
<i>Christina Sundora</i> Parks & General Services Department	6/5/02 Date
<i>Roger A. Sloan</i> Public Works, Water Utilities Division	6/5/02 Date
<i>Bradley L. Eighan</i> City Engineer, Engineering Division / AMAFCA	6/5/02 Date
<i>Shirley R. Wilson</i> SOLID WASTE	6-4-02 DATE
APPROVAL AND CONDITIONAL ACCEPTANCE: as specified by the Development Process Manual.	
<i>Janet</i> City Planner, Albuquerque / Bernalillo County Planning Division	6/13/02 Date ds Mckinzie 6/13/02
PLNZ (10706) 4/96	

CITY OF ALBUQUERQUE  
PUBLIC WORKS DEPARTMENT  
ENGINEERING GROUP

TITLE: FERROUS CHLORIDE ODOR CONTROL  
STA NO. 28, GOFF BLVD.  
SITE PLAN

**HDR**  
HDR Engineering, Inc.

Date  
06/03/02  
Figure  
1

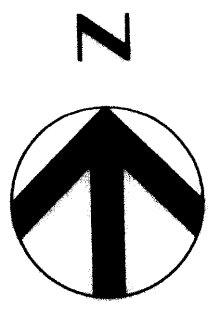


AFD PLANS CHECKING OFFICE  
924-3611  
APPROVED/DISAPPROVED  
*R.C. Jones 6-4-02*  
SIGNATURE & DATE  
access approval only!

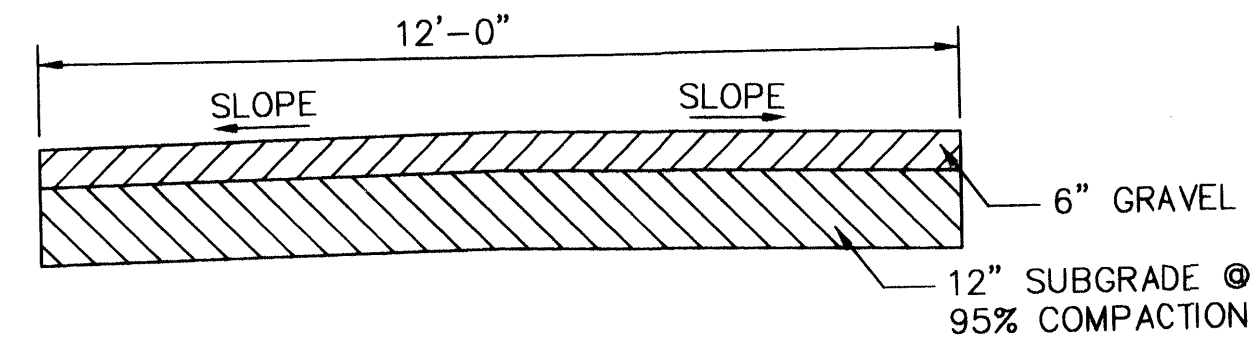
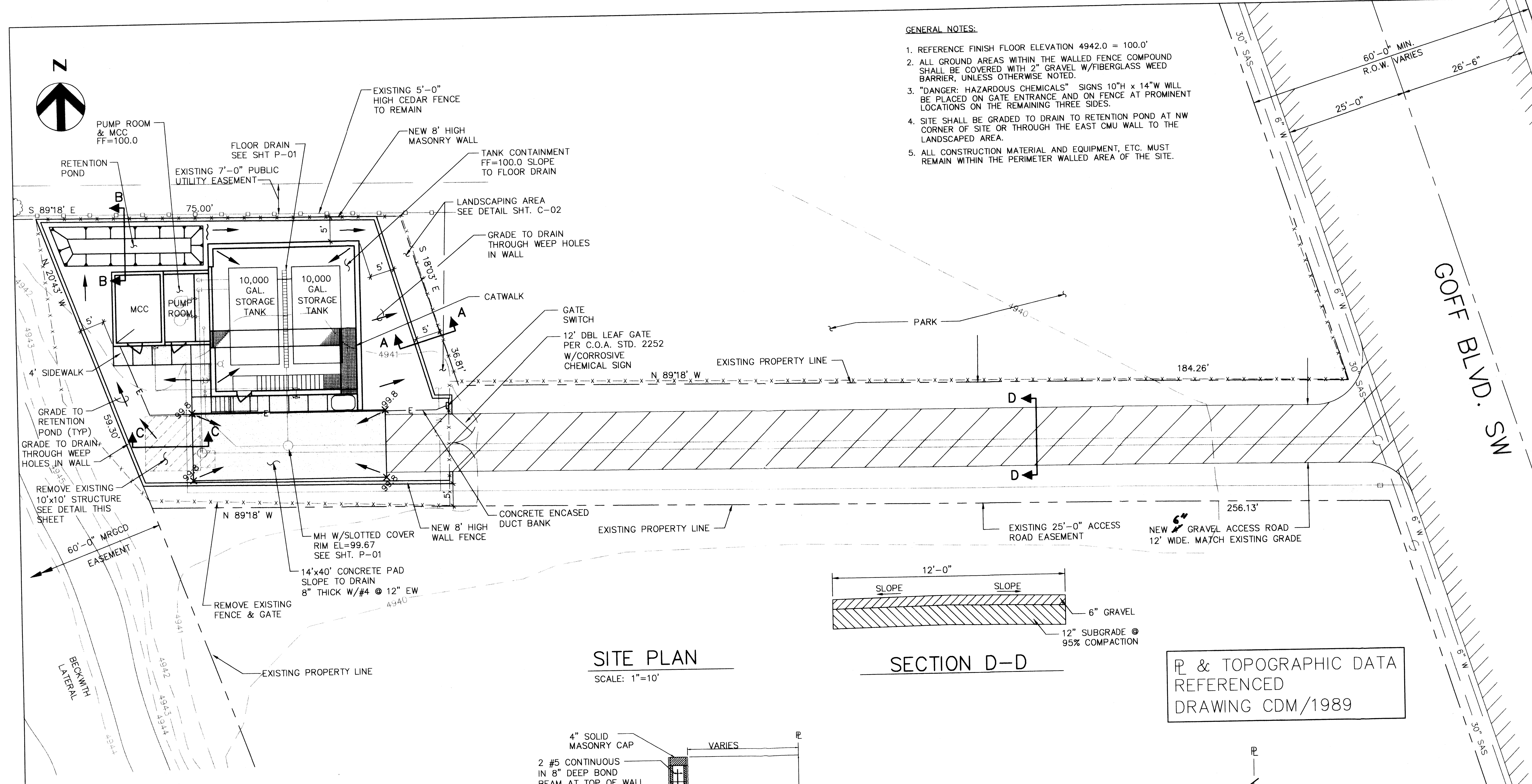
DATA REFERENCED  
DRAWING CDM/1989

NOTE: MINIMUM PRACTICAL TURNING RADIUS  
FOR SEMITRAILER AND TRACTOR IS 50'.

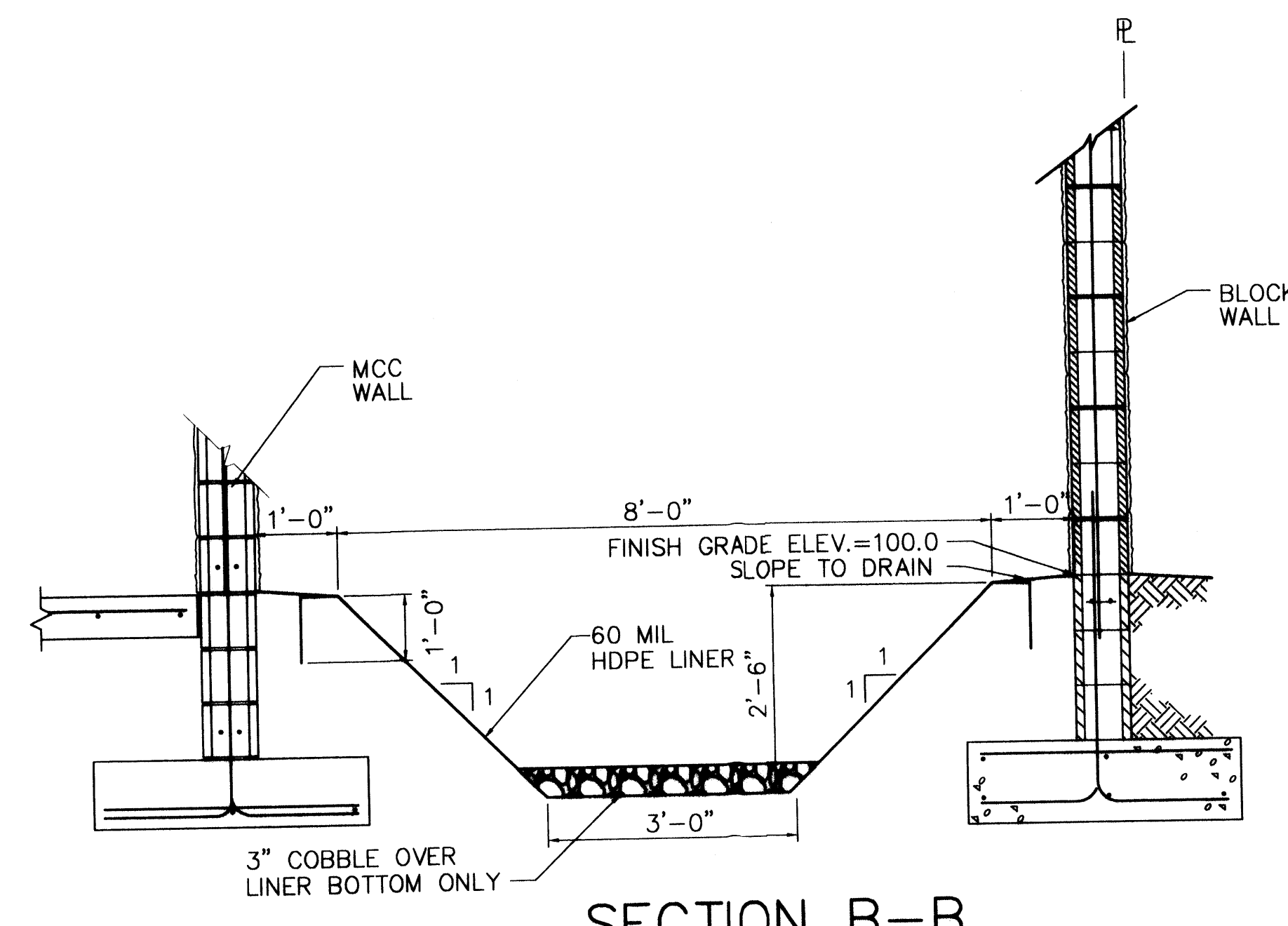
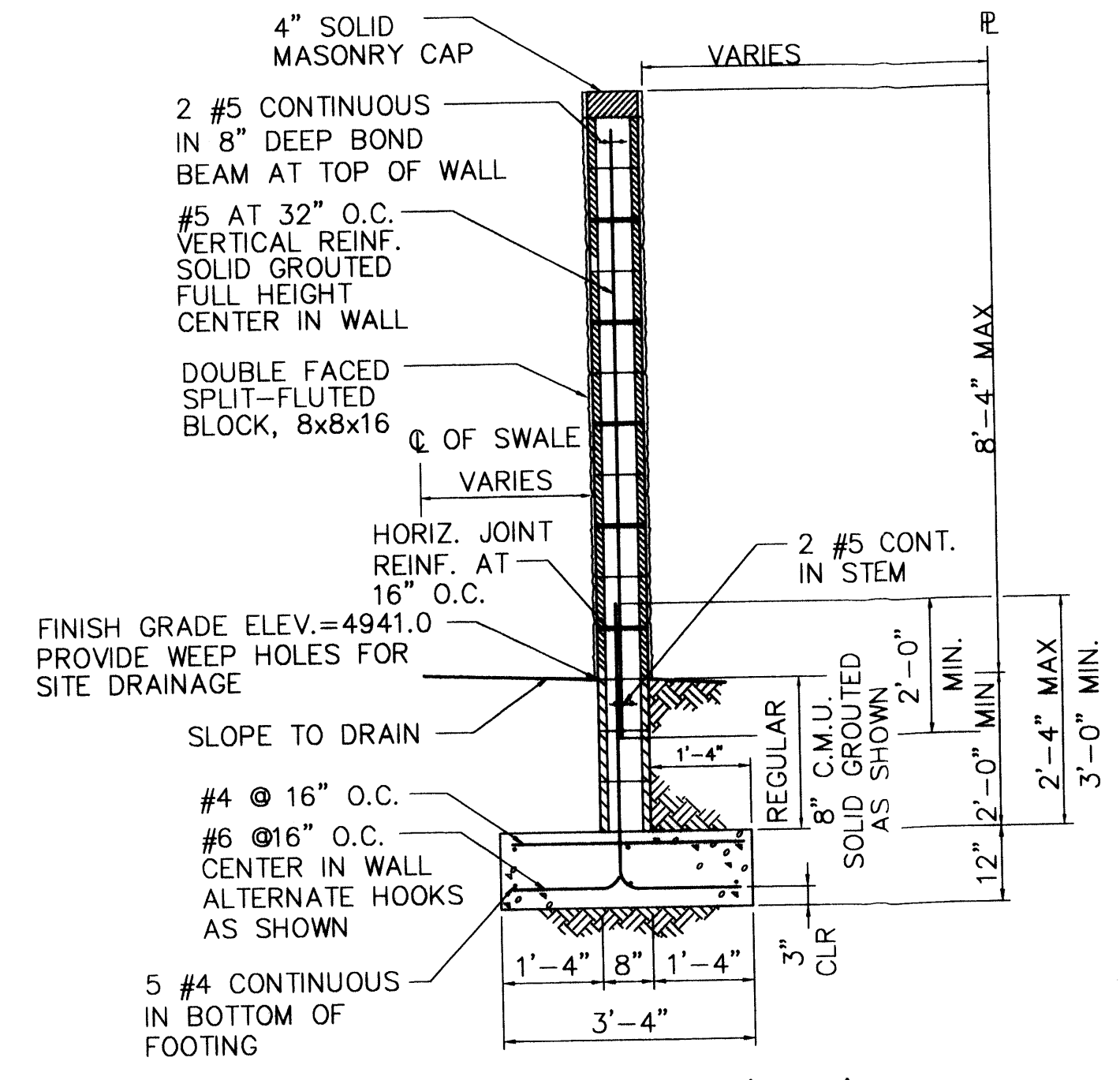
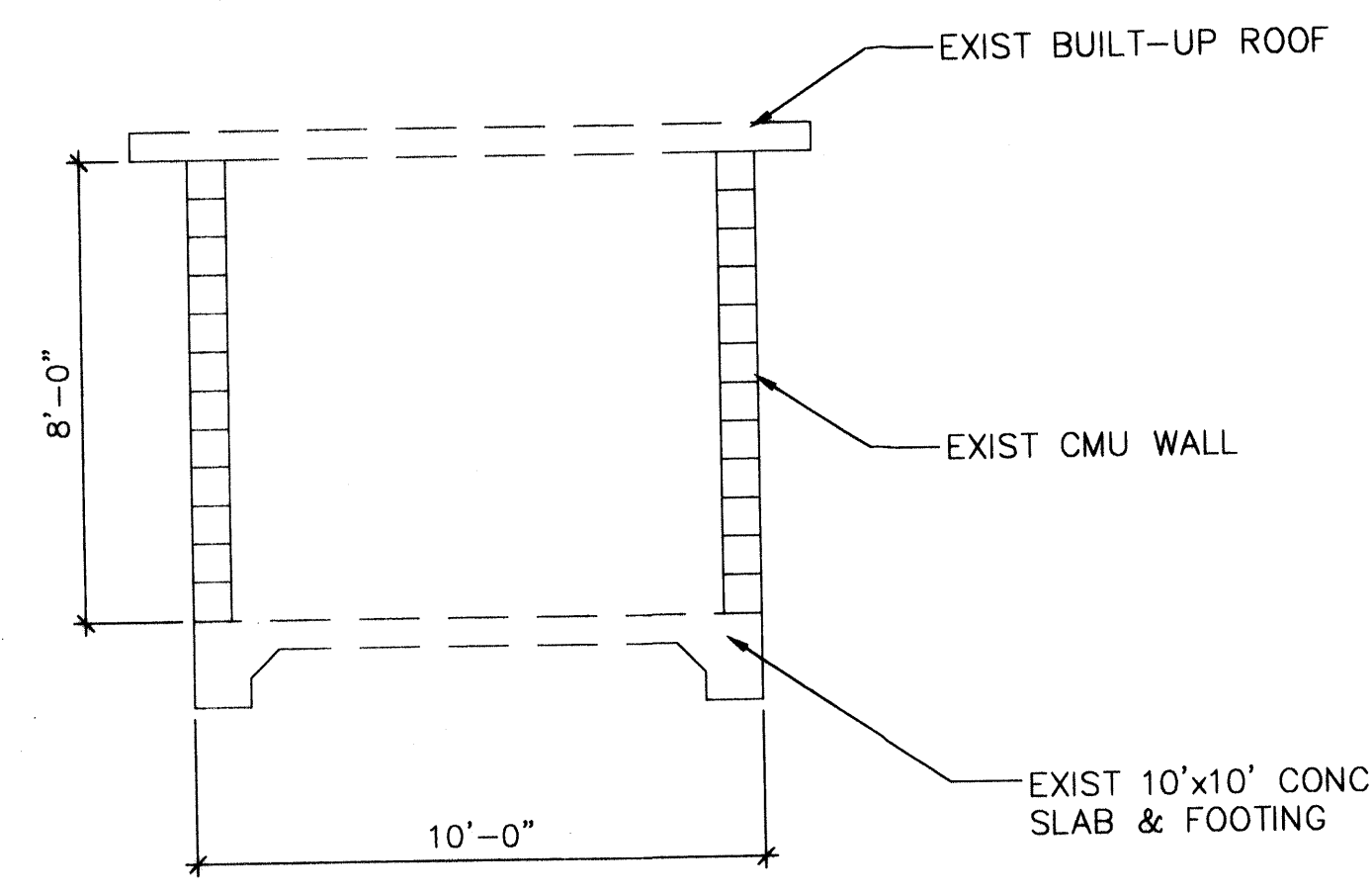




- GENERAL NOTES:**
1. REFERENCE FINISH FLOOR ELEVATION 4942.0 = 100.0'
  2. ALL GROUND AREAS WITHIN THE WALLED FENCE COMPOUND SHALL BE COVERED WITH 2" GRAVEL W/FIBERGLASS WEED BARRIER, UNLESS OTHERWISE NOTED.
  3. "DANGER: HAZARDOUS CHEMICALS" SIGNS 10"H x 14"W WILL BE PLACED ON GATE ENTRANCE AND ON FENCE AT PROMINENT LOCATIONS ON THE REMAINING THREE SIDES.
  4. SITE SHALL BE GRADED TO DRAIN TO RETENTION POND AT NW CORNER OF SITE OR THROUGH THE EAST CMU WALL TO THE LANDSCAPED AREA.
  5. ALL CONSTRUCTION MATERIAL AND EQUIPMENT, ETC. MUST REMAIN WITHIN THE PERIMETER WALLED AREA OF THE SITE.



PL & TOPOGRAPHIC DATA REFERENCED DRAWING CDM/1989



AS BUILT INFORMATION		BENCH MARKS		SURVEY INFORMATION		ENGINEER'S SEAL	
CONTRACTOR	DATE	CONTRACTOR	DATE	NO.	BY	NO.	DATE
ACS Aluminum Cap	17-L12	Cap. 17-L12	Goff Blvd SW				
NM Central Zone	NAD27 (Us.ft.)	N = 1 479 124.60	E = 371 056.24				
		Elevation = 4942.70	NGVD 29				



HDR Engineering, Inc.

CITY OF ALBUQUERQUE  
WASTEWATER UTILITY  
DIVISION  
TITLE: FERROUS CHLORIDE ODOR CONTROL  
STATION NO. 28 GOFF BLVD.  
SITE PLAN

Design Review Committee	City Engineer Approval	Last Design Update

PROJECT NO. COA - 6233 91 MAP NO. L-12 SHEET C-01 OF 3



