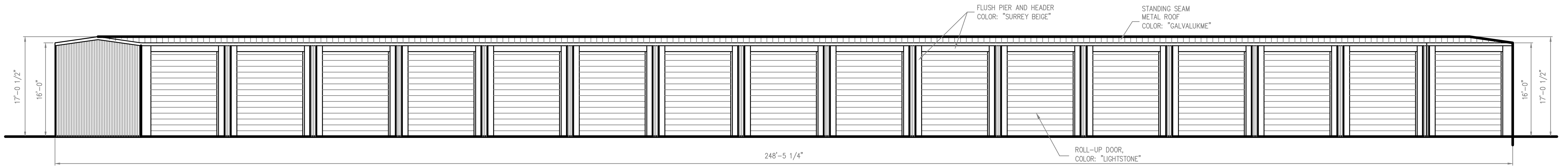
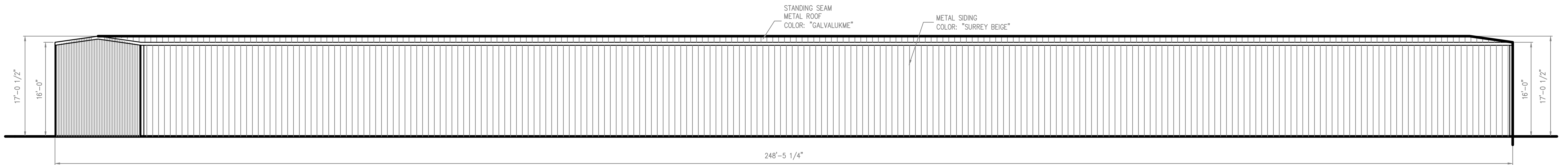
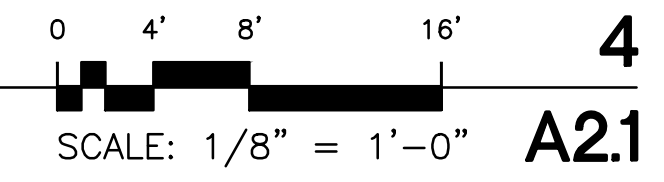


KEYED NOTES



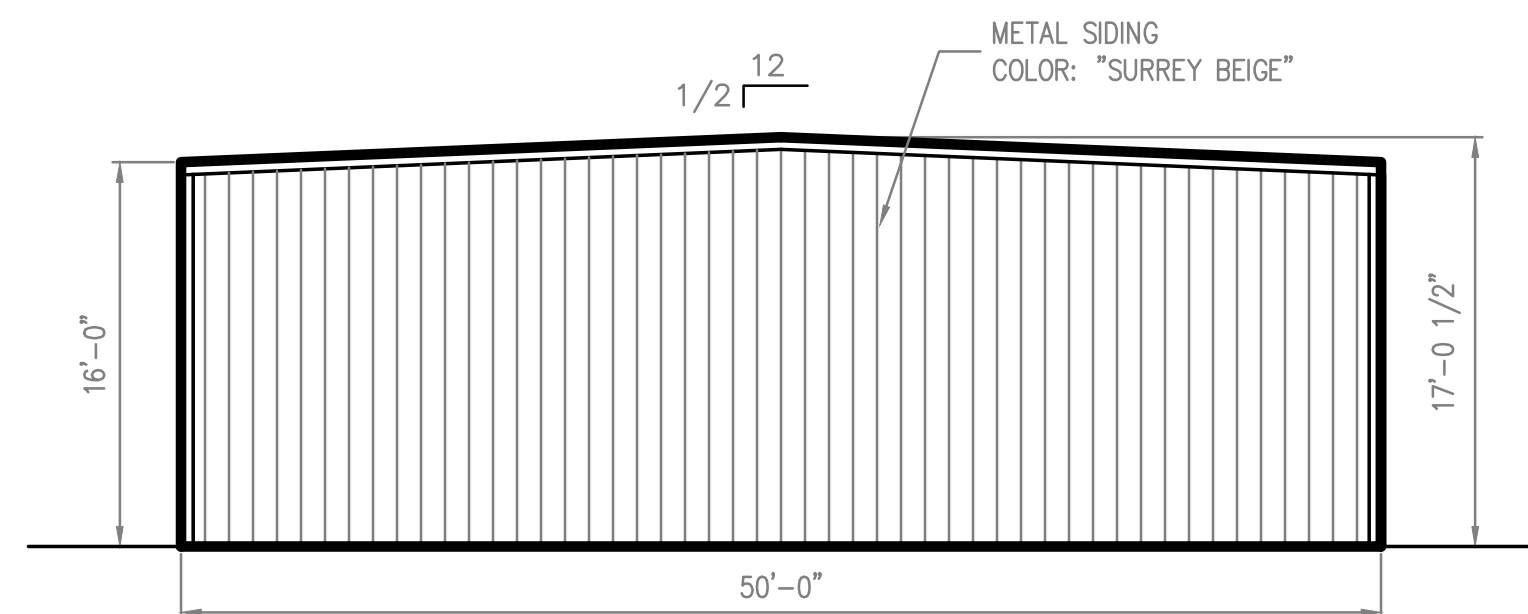
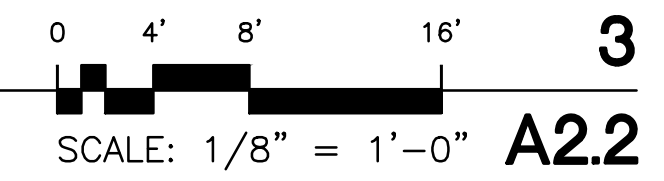
BUILDING B - EAST ELEVATION

SCALE: 1/8" = 1'-0"



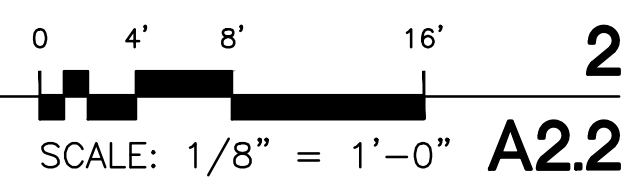
BUILDING B - WEST ELEVATION

SCALE: 1/8" = 1'-0"



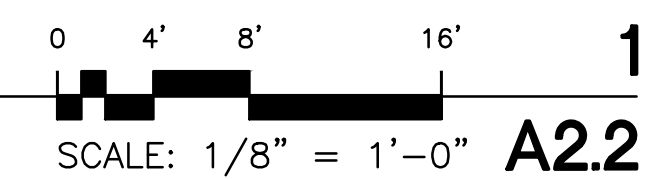
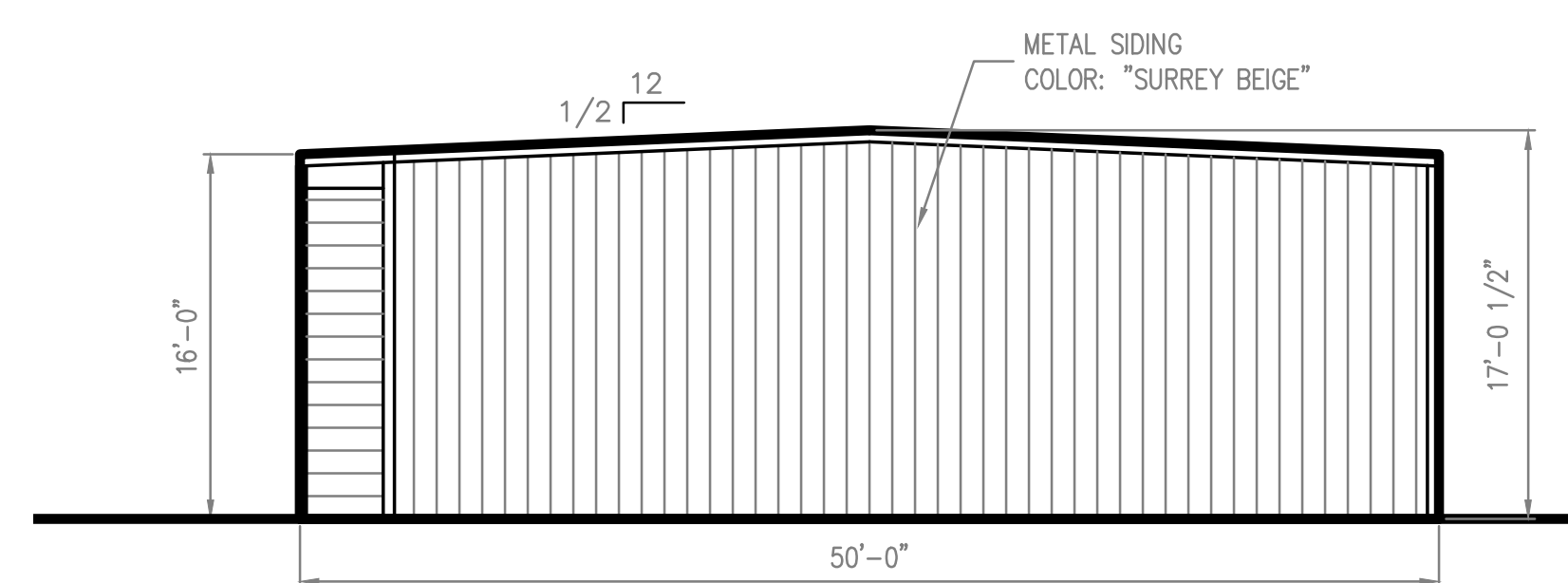
BUILDING B - SOUTH ELEVATION

SCALE: 1/8" = 1'-0"



BUILDING B - NORTH ELEVATION

SCALE: 1/8" = 1'-0"



JUNO

ARCHITECTS

7925 Bosque ST. NW, Albuquerque, NM 87114 Ph. (505) 892-8453 Fax. (505)890-1736

PROJECT:

ALBUQUERQUE RV + BOAT STORAGE
2201 VISTA ORIENTE NW, ALBUQUERQUE, NM

SHEET TITLE:

BUILDING B EXTERIOR ELEVATIONS

REVISION

DATE

ARCHITECT STAMP

CONSULTANT STAMP

DATE:



12-20-16

PROJECT NO.

1614

SHEET NO.

A2.2

Handwritten signature and date: JUNO 12-20-16