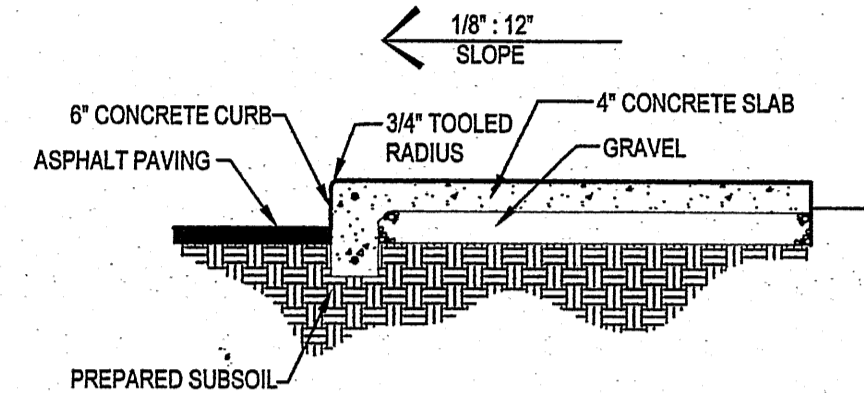
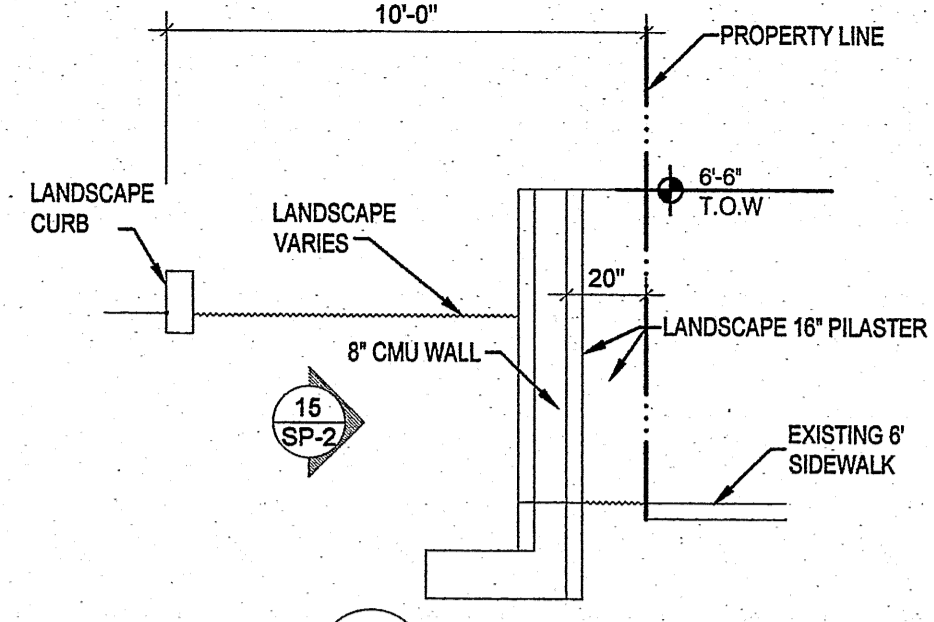


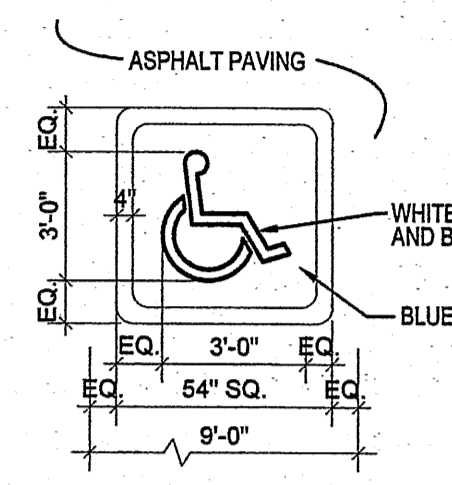
6 LANDSCAPE CURB DETAIL
SP-2 SCALE: 1/2"=1'-0"



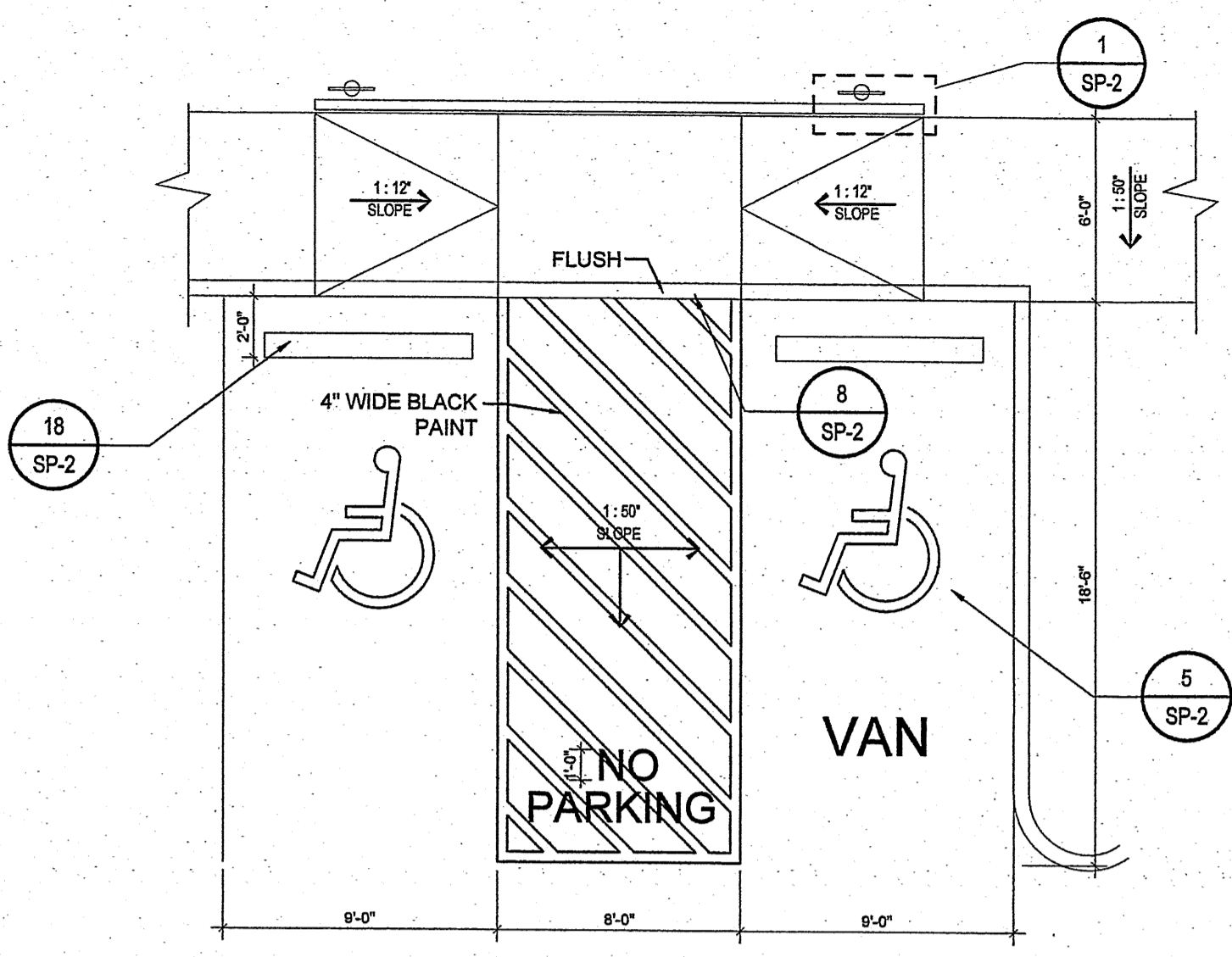
7 CONCRETE SIDE WALK CURB
SP-2 SCALE: 1/2"=1'-0"



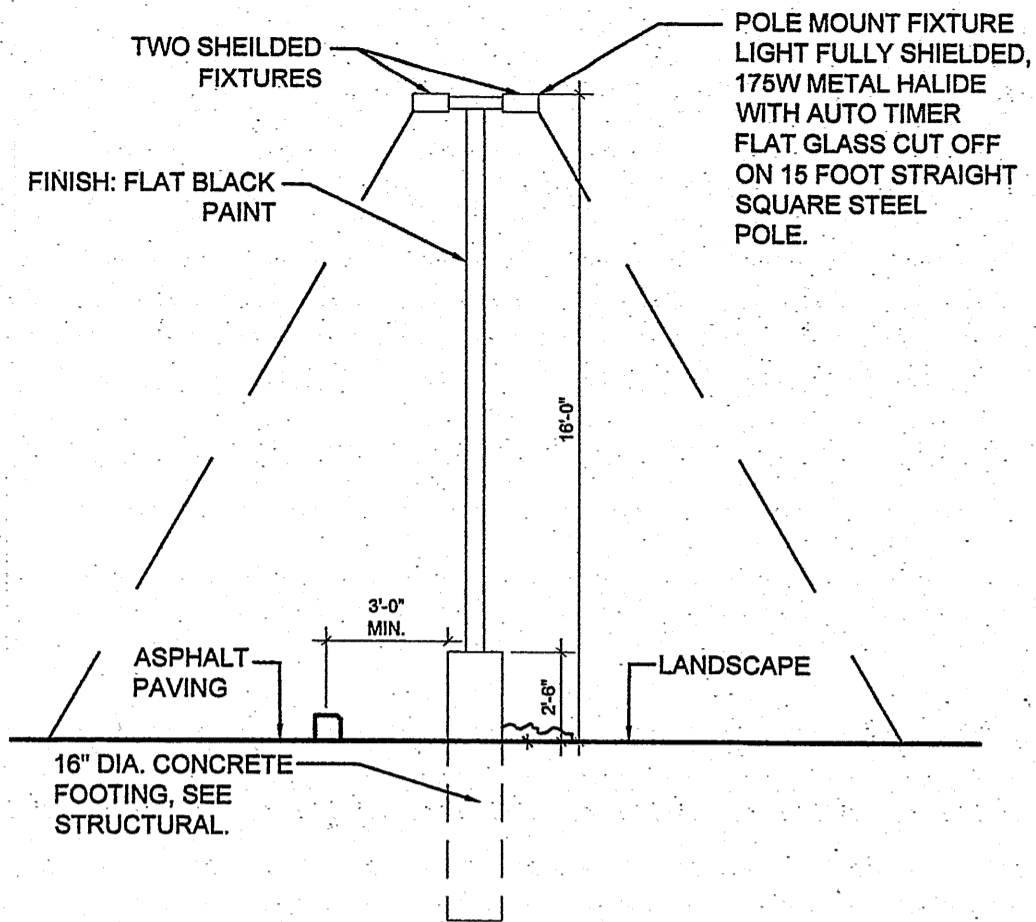
4 WALL SECTION
SP-2 SCALE: 1/4"=1'-0"



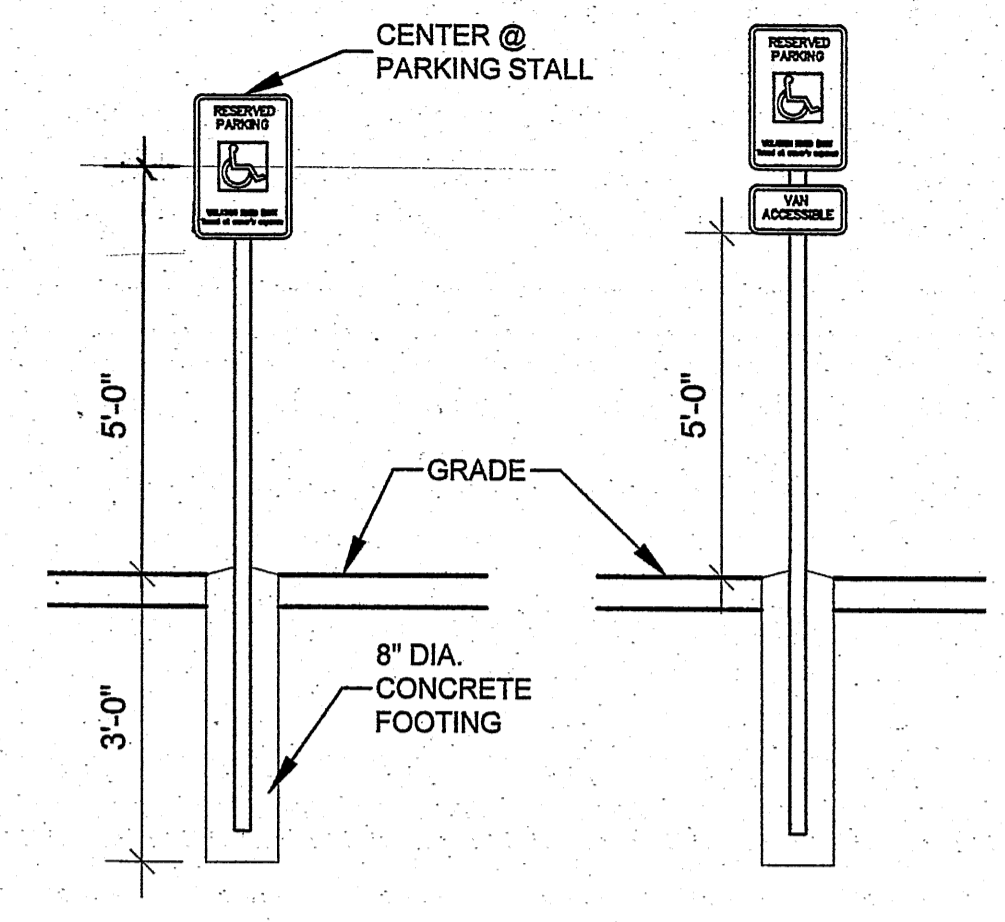
5 ACCESSIBLE PAVING SIGN
SP-2 SCALE: 1/4"=1'-0"



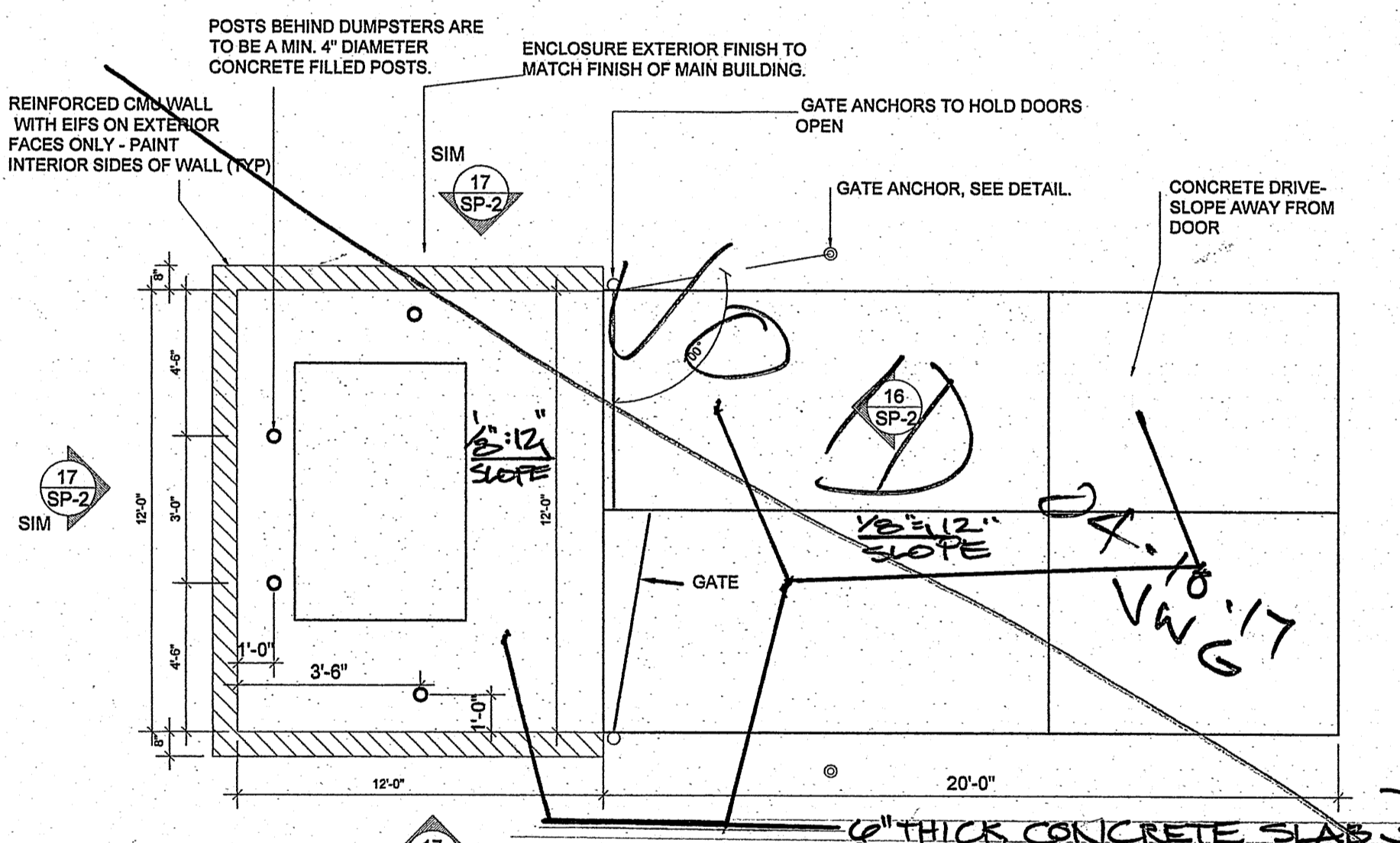
3 ACCESSIBLE PARKING SPACES
SP-2 SCALE: 3/16"=1'-0"



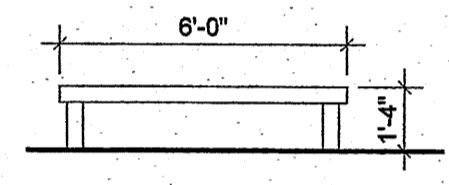
2 SHIELDED LIGHT POLE
SP-2 SCALE: 3/16"=1'-0"



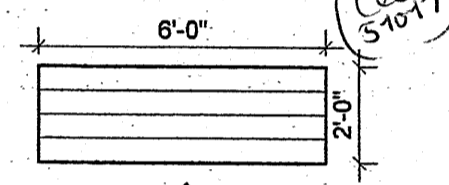
1 ACCESSIBLE PARKING SIGN
SP-2 SCALE: 1/2"=1'-0"



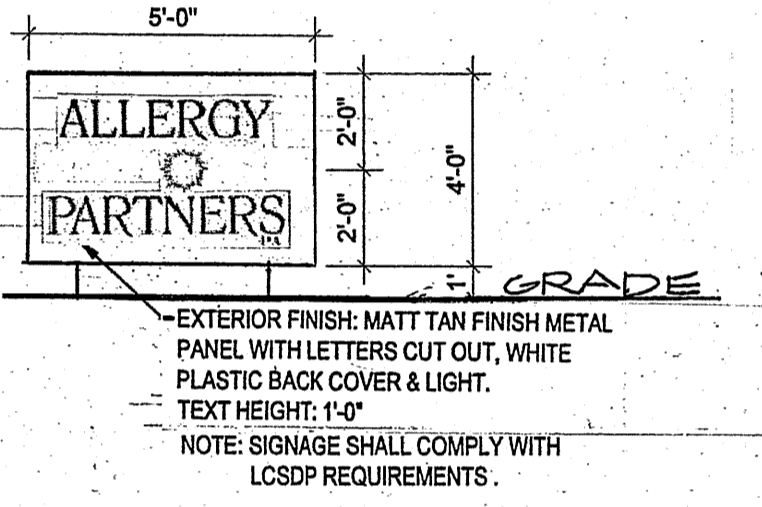
13 EXTERIOR REFUSE RECEPTACLE PLAN
SP-2 SCALE: 1/4"=1'-0"



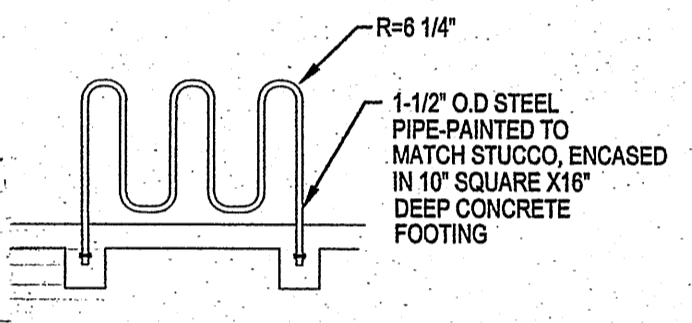
12 BENCH ELEVATION
SP-2 SCALE: 1/4"=1'-0"



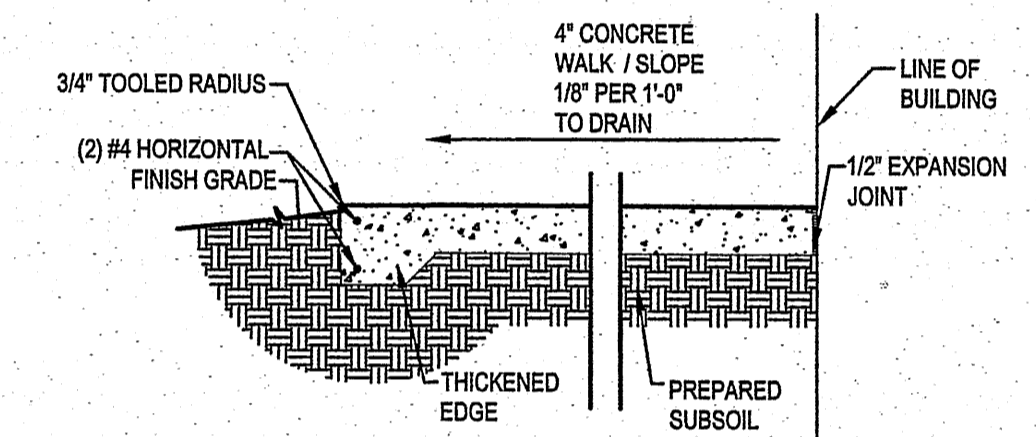
11 BENCH PLAN
SP-2 SCALE: 1/4"=1'-0"



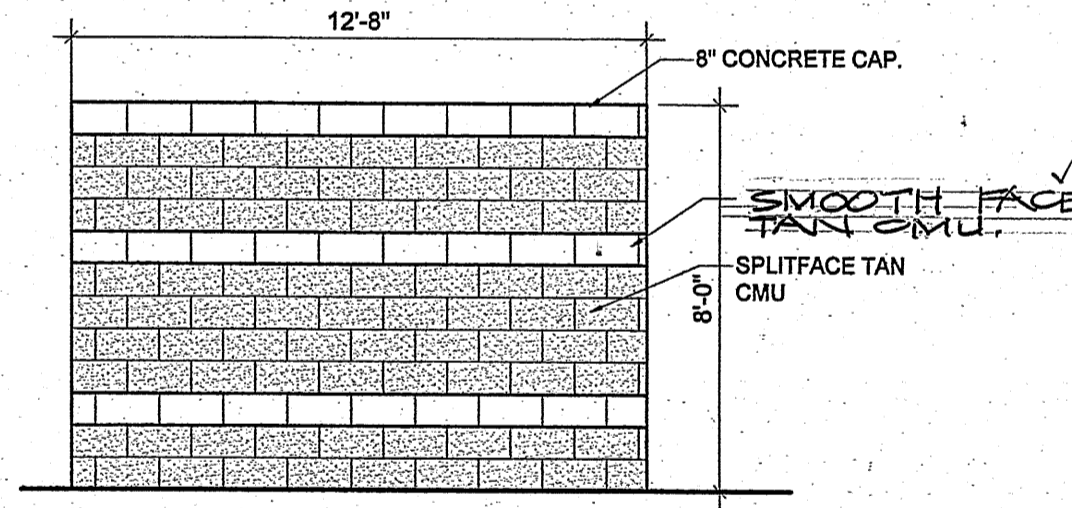
10 MONUMENT SIGN ELEVATION
SP-2 SCALE: 1/4"=1'-0"



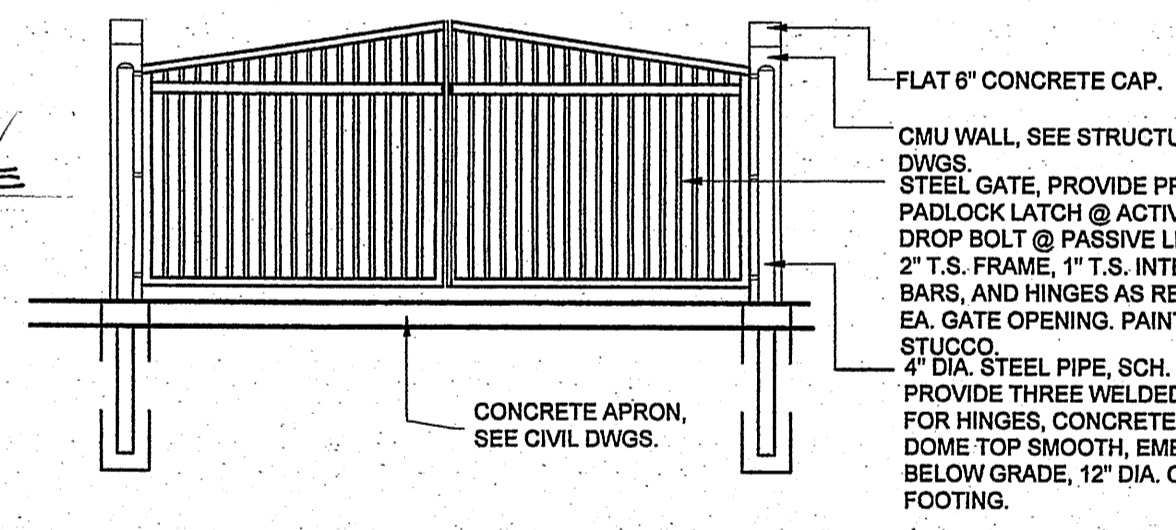
9 BIKE RACK DETAIL
SP-2 SCALE: 1/4"=1'-0"



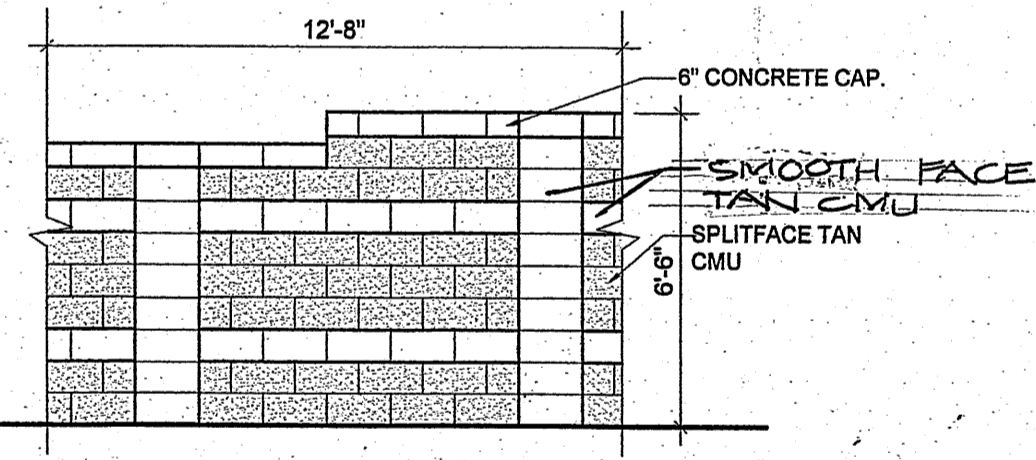
8 FLUSH SIDEWALK AT ACCESSIBLE
SP-2 SCALE: 1/2"=1'-0"



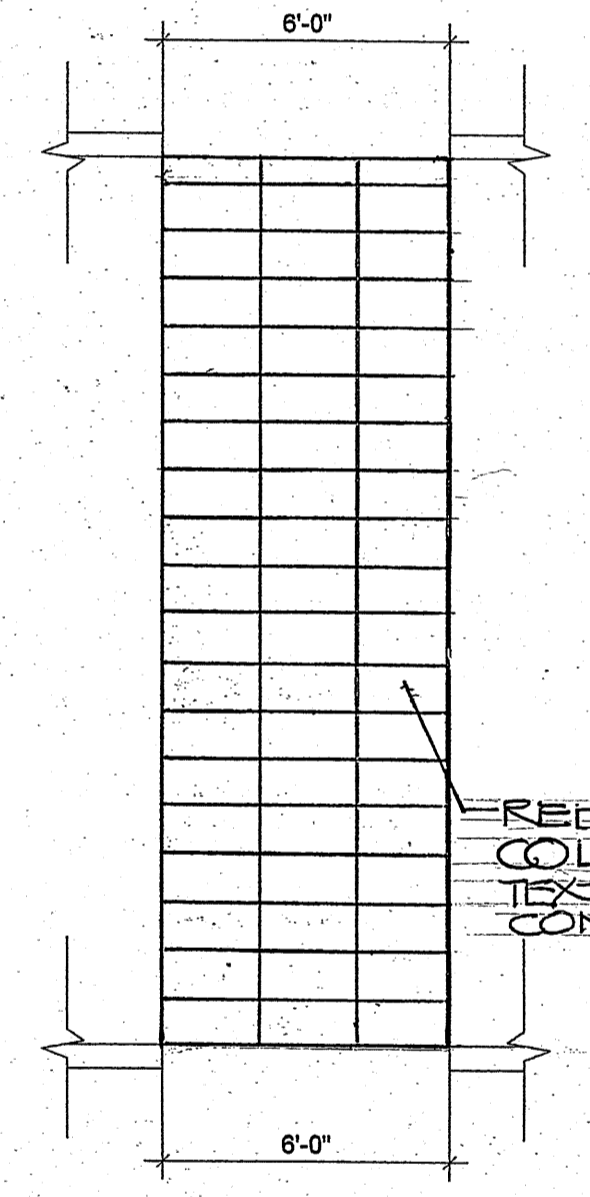
17 TYPICAL SIDE ELEVATION AT TRASH ENCLOSURE
SP-2 SCALE: 1/4"=1'-0"



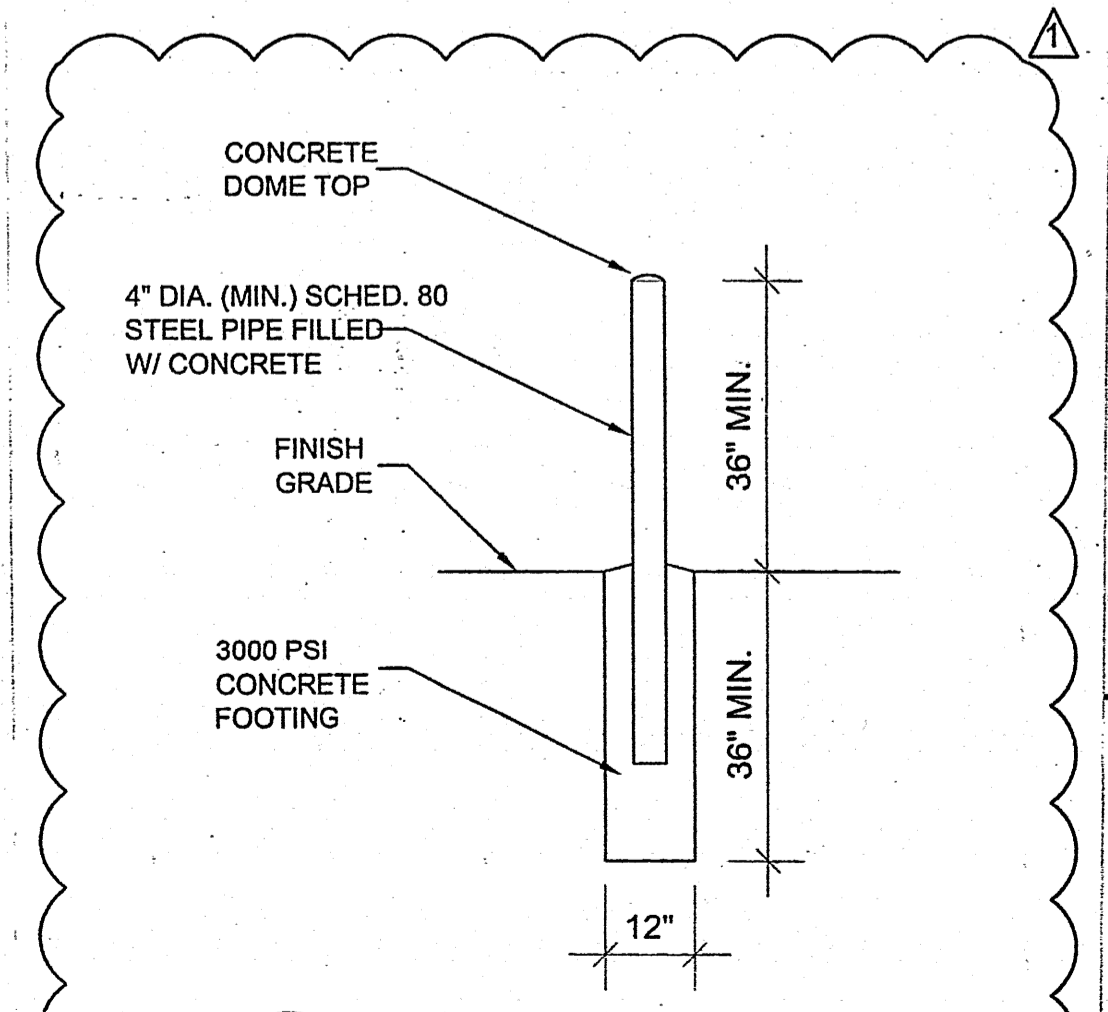
16 TRASH ELEVATION
SP-2 SCALE: 1/4"=1'-0"



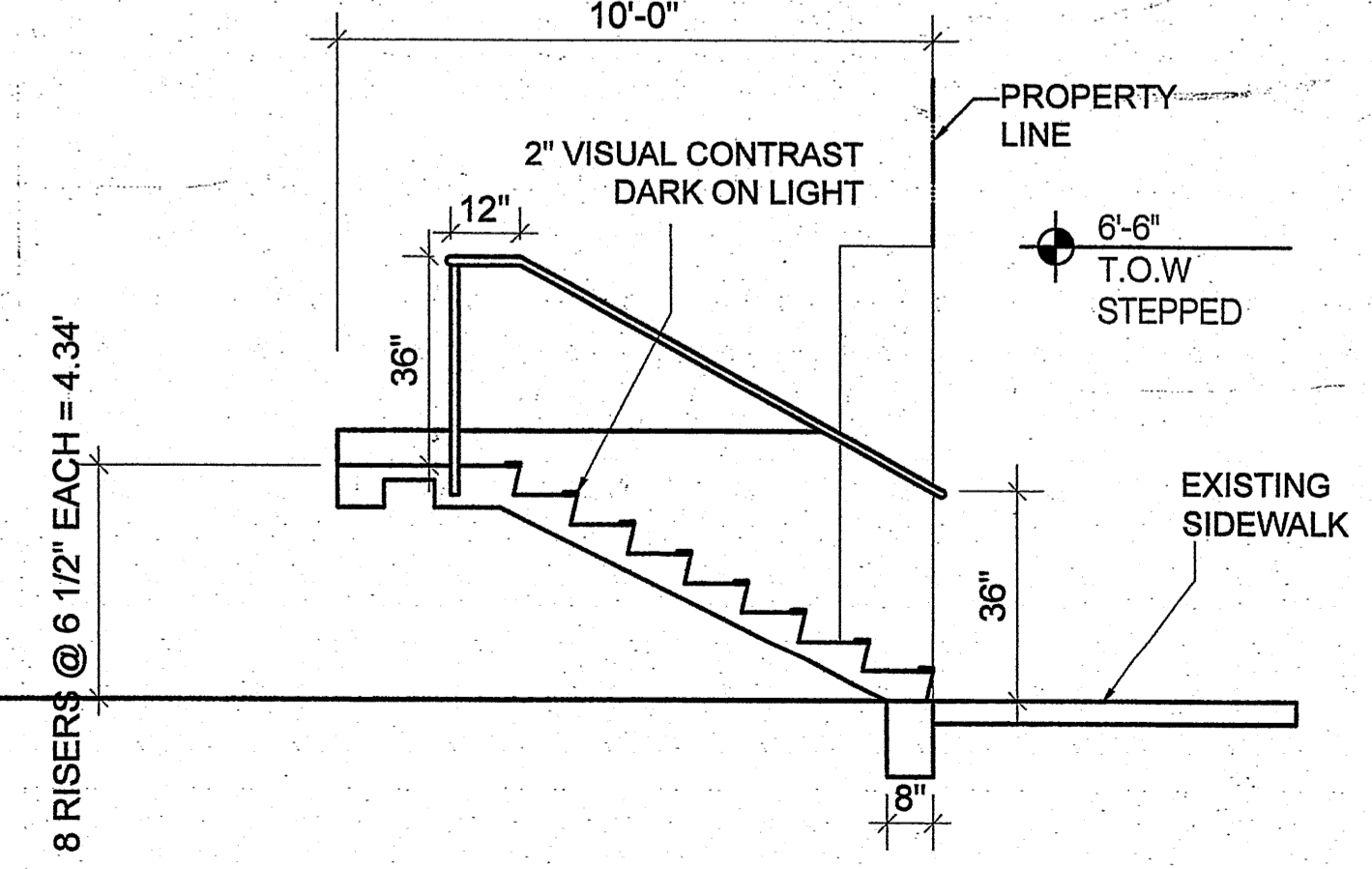
15 PROPERTY WALL
SP-2 SCALE: 1/4"=1'-0"



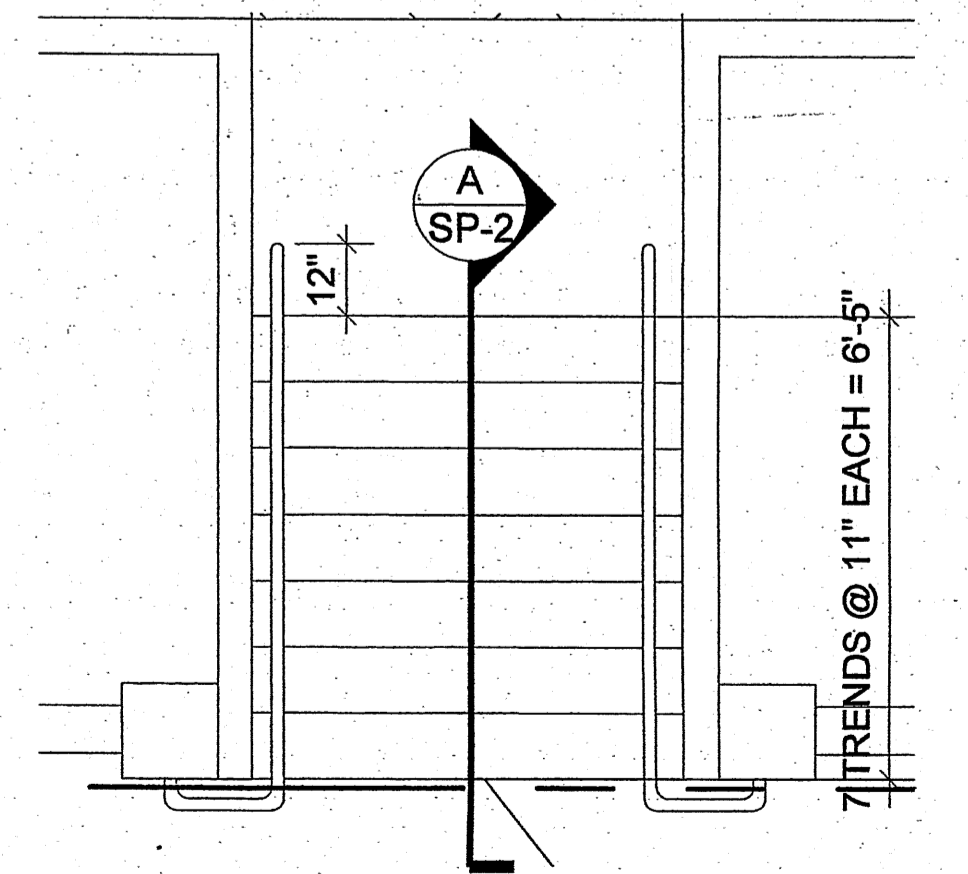
14 PEDESTRIAN PATHWAY
SP-2 SCALE: 1/2"=1'-0"



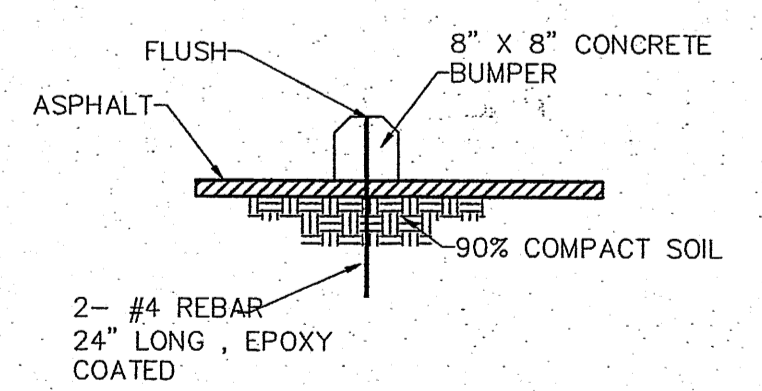
20 BOLLARD DETAIL
SP-2 SCALE: 1/2"=1'-0"



A STAIR SECTION
SP-2 SCALE: 3/8"=1'-0"



19 ENLARGE STAIR PLAN
SP-2 SCALE: 3/8"=1'-0"



18 PARKING BUMPER
SP-2 SCALE: 1/2"=1'-0"

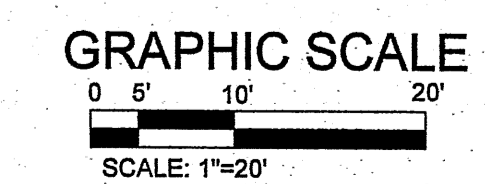
STATE OF NEW MEXICO
TAFAZZUL HUSSAIN
NO. 3071
2/3/17

SITE DETAILS

Afra Construction & Design
2501 Yale Blvd SE Suite 102
Albuquerque, New Mexico 87106
Tel: 505.242.1745
Fax: 505.242.1737

ALLERGY CLINIC
7001 Signal Ave. NE
Albuquerque, NM 87113

REV	DATE	DESCRIPTION	APVD
A	03-07-17	ADD BOLLARD DETAIL	JWG



SP-2
01/20/2017