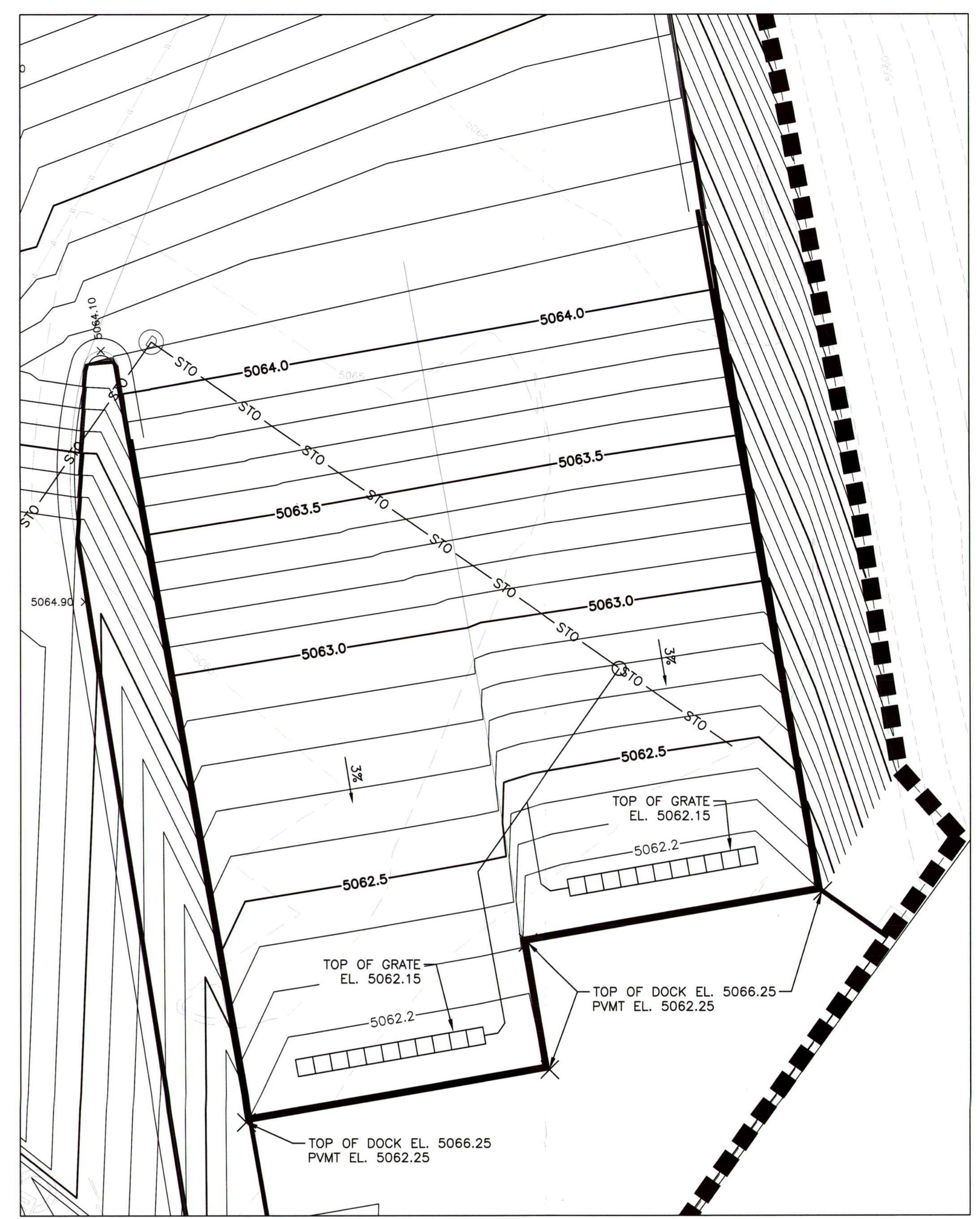


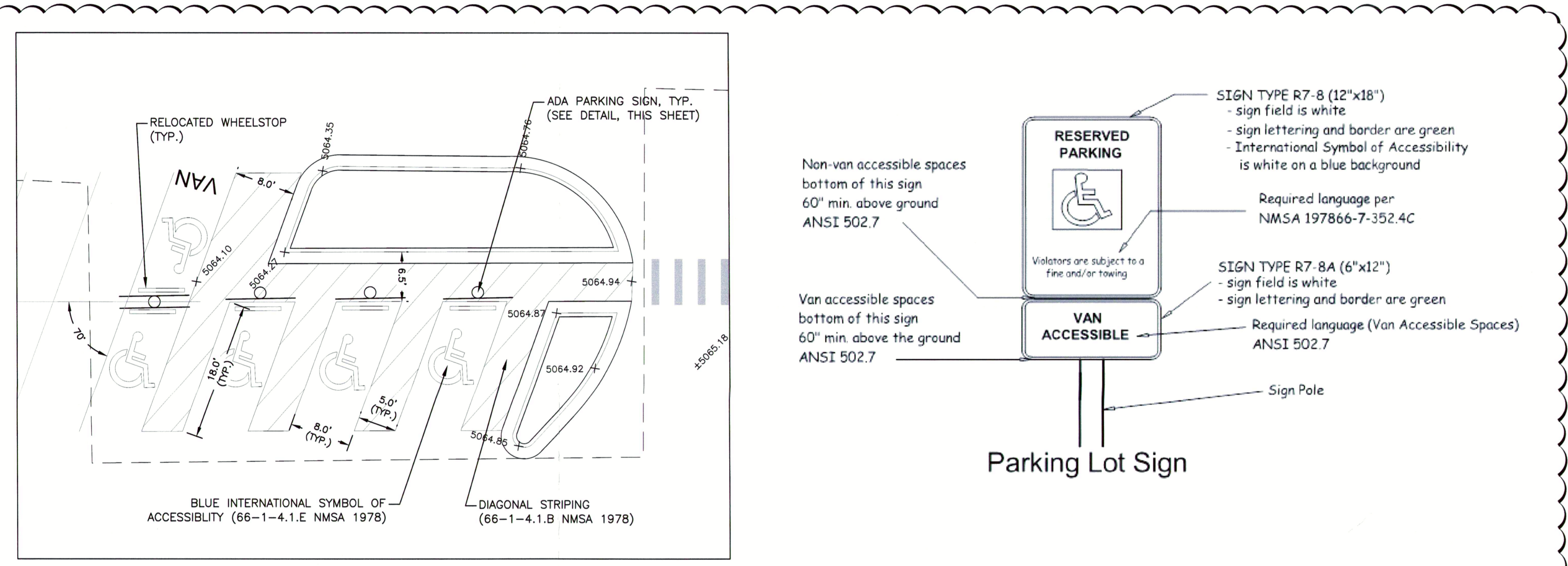
INLET PROTECTION

① FINISHED SIZE, INCLUDING FLAP POCKETS WHERE REQUIRED, SHALL EXTEND A MINIMUM OF 10" AROUND THE PERIMETER TO FACILITATE MAINTENANCE OR REMOVAL.



1 TRUCK DOCK GRADING DETAIL

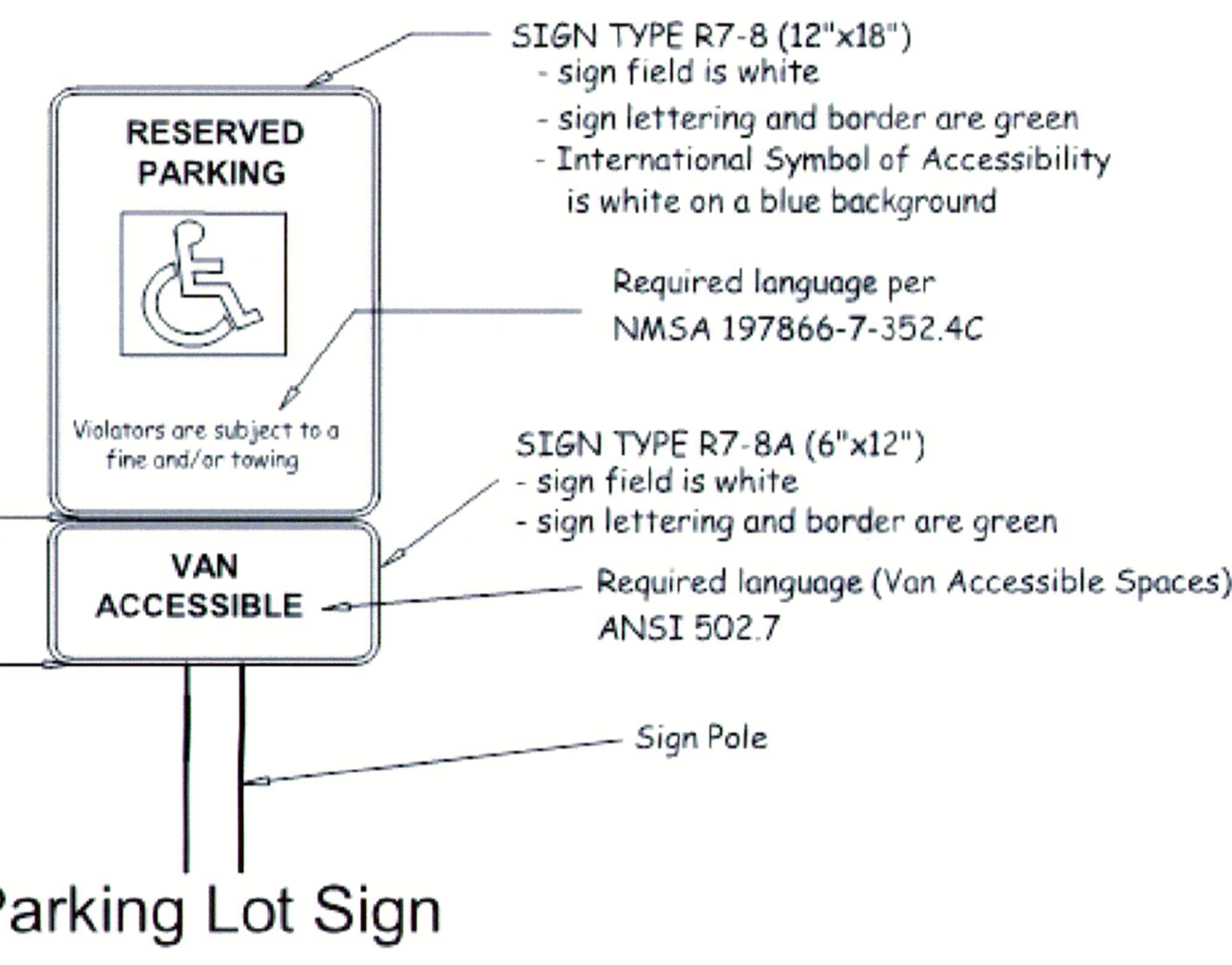
SCALE: 1" = 10'



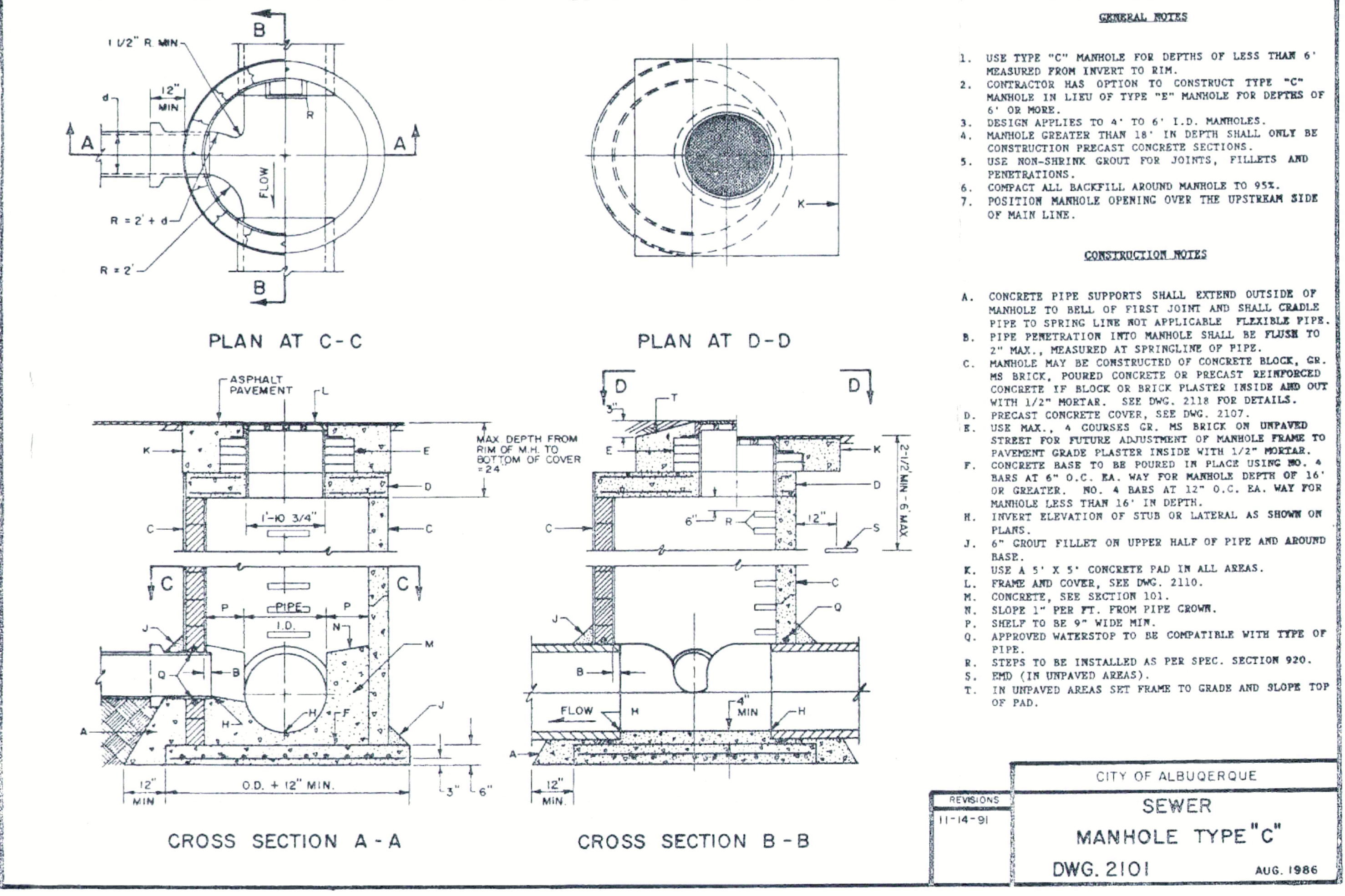
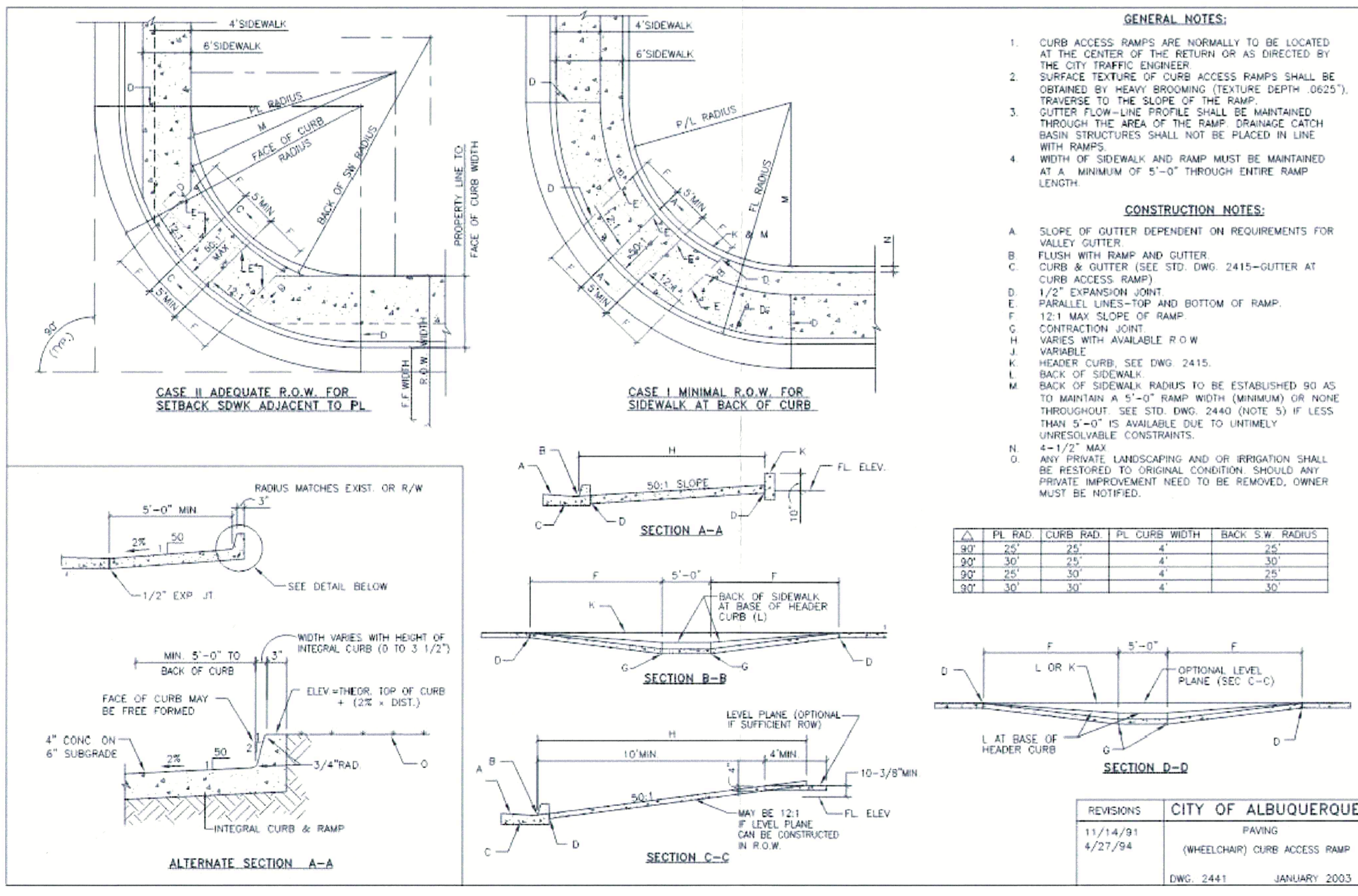
2 ADA PARKING DETAIL

SCALE: 1" = 10'

NOTE: FOR MORE INFORMATION REGARDING ADA PARKING AND SIGNING SEE THE 2009 NEW MEXICO ACCESSIBLE PARKING CHECKLIST.



Parking Lot Sign



Contact Information
Owner: Washington Prime Group
180 East Broad Street
Columbus, Ohio 43215
F: (614) 621-9321
Architect: FRCH Design Worldwide
311 Elm Street, Suite 600
Cincinnati, Ohio 45202
F: (513) 241-3000
MEP: Thomson Baker & Associates, Inc.
3530 W. Streetsboro Road (Rt. 303)
Richfield, Ohio 44286
Civil: Collins Engineers, Inc.
2033 W Howard Ave
Milwaukee, WI 53212

Sheet Issue Information

Issued	PERMIT	01-28-18
Revised	4	ADMIN. AMENDMENT 3-15-18
	5	ADMIN. AMENDMENT 3-16-18

Professional Stamp



Project Information

Title: **Cottonwood Mall Exterior Shell**
Address: 10000 Coors Bypass NW
Albuquerque, NM 87114

Project Number: 034870.000

Sheet Information

Title: **CONSTRUCTION DETAILS**

Drawn: KCH
Reviewed: RAT
Scale: As Noted
Authorized For: