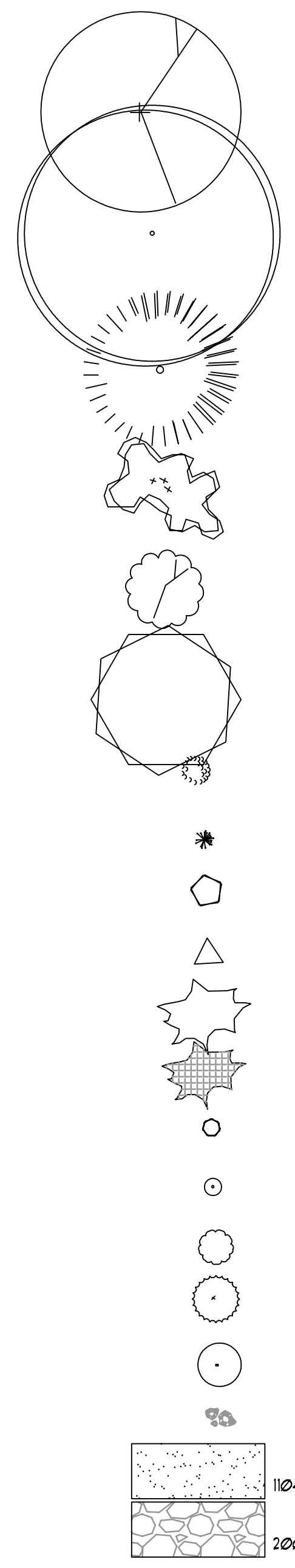


**LANDSCAPE LEGEND**

QTY	SIZE	COMMON/BOTANICAL	H2O USE
<b>Trees</b>			
6	2" cal	Chinese Pistache 40x35 <i>Pistacia chinensis</i>	M+
2	2" cal	Purple Robe Locust 50x45 <i>Robinia pseudoacacia</i>	M
1	6 - 8'	Afghan Pine 35x25 <i>Pinus eldarica</i>	M
4	15 Gal	New Mexico Olive 15x12 <i>Forestiera neomexicana</i>	M
9	15 Gal	Chitalpa 15x12 <i>Chilopsis x Catalpa</i>	M
<b>Shrubs &amp; Groundcovers</b>			
4	4 - 6'	Desert Willow 20x25 <i>Chilopsis linearis</i>	625 2500 M
23	5 Gal	India Hawthorn 3x5 <i>Raphiolepis indica</i>	25 575 M
13	5 Gal	Regal Mist 25x2 <i>Muhlenbergia capilaris</i>	4 52 M
6	5 Gal	Greyleaf Cotoneaster 5x5 <i>Cotoneaster buxifolius</i>	25 150 M
2	5 Gal	Butterfly Bush 5x5 <i>Buddleia davidii</i>	25 50 M
5	5 Gal	Winter Jasmine 4x12 <i>Jasminum nudiflorum</i>	144 720 M
19	5 Gal	Honeysuckle 1x12 <i>Lonicdeera japonica "Haliana"</i>	144 720 M
15	5 Gal	Cherry Sage 2x3 <i>Salvia greggii</i>	9 135 M
22	5 Gal	Potentilla 3x3 <i>Potentilla fruticosa</i>	9 198 M
18	5 Gal	Fern Bush 5x6 <i>Chamaebatiaria millefolium</i>	36 648 L
11	5 Gal	Apache Plume 6x1 <i>Fallugia paradoxa</i>	49 539 L
4	5 Gal	Chamisa 5x1 <i>Chrysothamnus nauseosus</i>	25 100 L
18	2-3cf	Boulders To be placed at contractor discretion	8403
		Landscape Gravel / Filter Fabric 3/4" Pink/Earth Tone to match next door	1049
		Oversize Landscape Gravel / Filter Fabric 2-4" Adobe Rose	200



**LANDSCAPE NOTES:**  
Landscape maintenance shall be the responsibility of the Property Owner. The Property Owner shall maintain street trees and shrubs in a living, healthy, and attractive condition.

Water management is the sole responsibility of the Property Owner. All landscaping will be in conformance with the City of Albuquerque Zoning Code. In general, water conservative, environmentally sound landscape principles will be followed in design and installation.

Gray Gravel over Filter Fabric to a minimum depth of 3" shall be placed in all landscape areas which are not designated to receive native seed.

**IRRIGATION NOTES:**  
Irrigation system maintenance and operation shall be the sole responsibility of the owner. It shall be the owners responsibility to ensure that fugitive water does not leave the site due to overwatering.

Irrigation shall be a complete underground system with Trees to receive 1 Netafim spiral (50' length) with 3 loops at a final radius of 45' from tree trunk, pined in place. Netafim shall have emitters 12" o.c. with a flow of 6 gph. Shrubs to receive (2) 1/2 GPH Drip Emitters. Drip and Bubbler systems to be tied to 1/2" poly pipe with flush caps at each end.

Run time per each shrub drip valve will be approximately 15 minutes per day. Tree drip valve shall run 15 hours, 3 times per week. Run time will be adjusted according to the season.

Point of connection for irrigation system is unknown at current time and will be coordinated in the field. Irrigation will be operated by automatic controller.

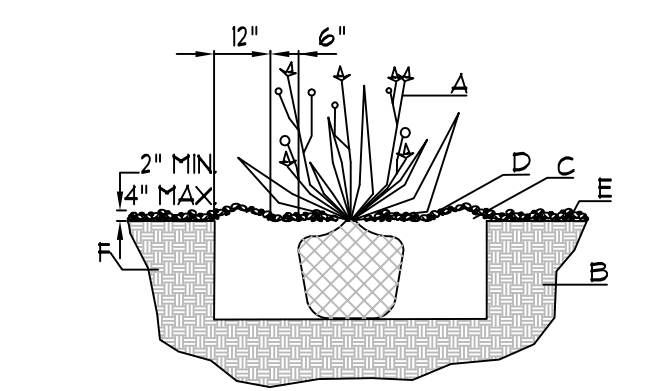
Location of controller to be field determined and power source for controller to be provided by others.

Irrigation maintenance shall be the responsibility of the Property Owner.

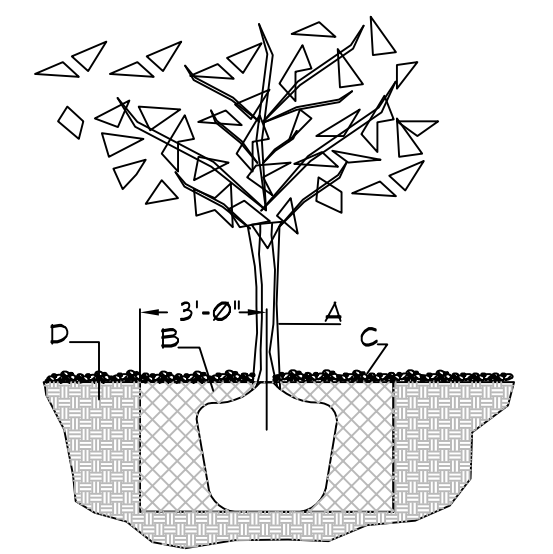
Water and Power source shall be the responsibility of the Developer/Builder.

**LANDSCAPE CALCULATIONS**

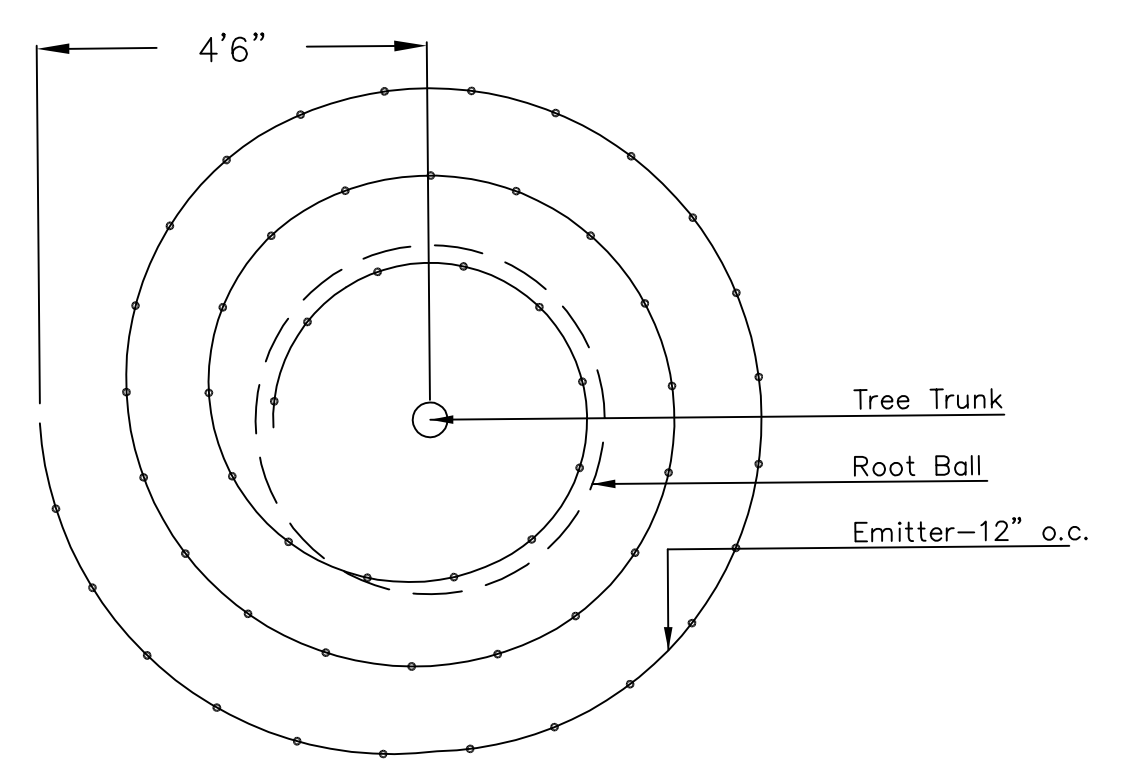
TOTAL LOT AREA (sf)	47030
TOTAL BUILDING AREA (sf)	2214
TOTAL LOT AREA (sf)	44816
LANDSCAPE REQUIREMENT	X .15
TOTAL LANDSCAPE REQUIRED (15%)	6722
TOTAL ON-SITE LANDSCAPE PROVIDED	1049
TOTAL LIVE GROUNDCOVER REQUIRED (30%)	3315
TOTAL LIVE GROUNDCOVER PROVIDED	8403



**GENERAL NOTES:**  
1. THE OUTSIDE DIAMETER OF THE WATER RETENTION BASIN SHALL BE TWICE THE DIAMETER OF THE SHRUB PLANTING PIT.  
**CONSTRUCTION NOTES:**  
A. SHRUB.  
B. BACKFILL WITH EXISTING SOIL.  
C. EARTH BERM AROUND WATER RETENTION BASIN.  
D. 3" DEPTH OF GRAVEL MULCH.  
E. FINISH GRADE.  
F. UNDISTURBED SOIL.

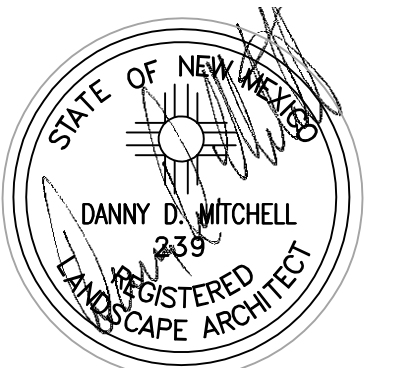


**GENERAL NOTES:**  
1. ROOTBALL SHALL BE PLACED ON UNDISTURBED SOIL TO PREVENT TREE FROM SETTLING.  
2. TOP OF ROOTCOLLAR INDICATED LEVEL AT WHICH TREE WAS GROWN AND DIGG; THIS REPRESENTS THE LEVEL AT WHICH THE TREE SHOULD BE INSTALLED; THAT LEVEL MAY BE EXCEEDED BY ONLY A ONE INCH LAYER OF SOIL.  
3. PRIOR TO BACKFILLING TREE, ALL WIRE, ROPE AND SYNTHETIC MATERIALS SHALL BE REMOVED FROM THE TREE AND THE PLANTING PIT.  
4. PRIOR TO BACKFILLING ALL BURLAP SHALL BE CUT AWAY EXCEPT FROM BOTTOM OF THE ROOTBALL.  
**CONSTRUCTION NOTES:**  
A. TREE  
B. BACKFILL WITH EXISTING SOIL.  
C. 3" DEPTH OF GRAVEL MULCH.  
D. UNDISTURBED SOIL.



**HCI ENGINEERING**  
A DIVISION OF  
**HABERER CARPENTRY INC.**  
LITTLETON, CO 80120  
www.hciengineering.com

**MARK D. MICLUGGAGE AIA, CCS**  
1525 E. Douglas Woods, KS 67211  
Tel: (316) 965-9397 Fax: (316) 265-5646  
www.dmm.com



**The Hilltop**  
LANDSCAPE ARCHITECTS & CONTRACTORS

Revision	Date
1	Revisions to site plan, 3/7/2011
2	
3	
4	
5	
6	
7	
8	
9	
10	
11	
12	
13	
14	
15	
16	
17	
18	
19	
20	

CONTRACT DATE: Sept. 23, 2016  
BUILDING TYPE: EXPLORER MED54  
PLAN VERSION: ABRIL 2015 (N)  
SITE NUMBER:  
STORE NUMBER:

**TACO BELL**  
McMahon Blvd.  
ALBUQUERQUE, NM 87114



Landscape Plan

**L1.0**