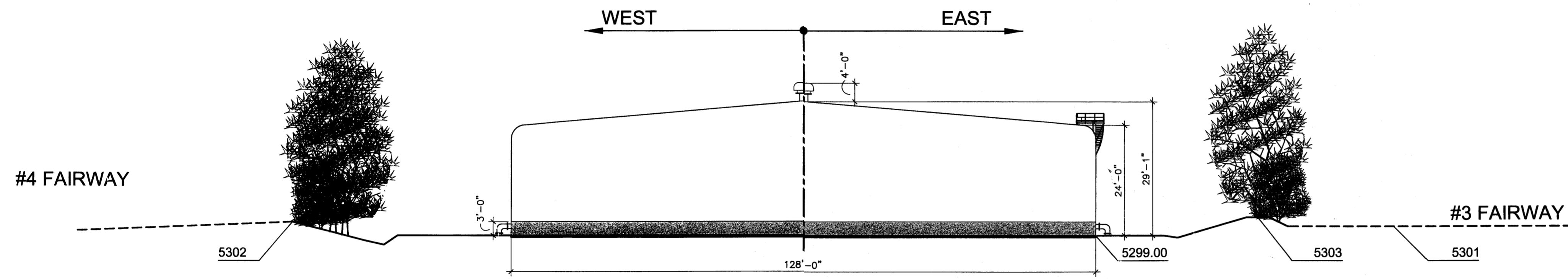


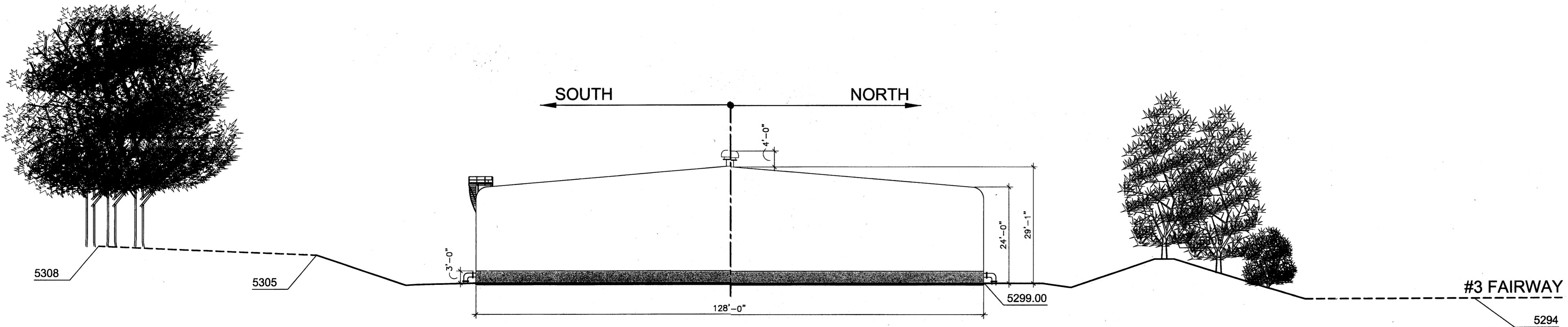
**BUILDING AND TANK SOUTH WEST ELEVATION**

SCALE: 3/32" = 1'-0"



**SECTION**

SCALE: 1/16" = 1'-0" **A**



**SECTION**

SCALE: 1/16" = 1'-0" **B**

EXTERIOR FINISH SCHEDULE	
MATERIAL	COLOR
SPLIT-FACE CMU	LIGHT BROWN
SMOOTH FACE CMU AND CMU CAP	LIGHT BROWN
PYRAMIDAL SHAPED GLAZED CMU	MEDIUM BRIGHT BLUE
TRIM / DOOR PAINT	LIGHT BROWN
TANK PAINT	SAGE GREEN W/ PURPLE STRIPE

2701 MILES RD SE  
ALBUQUERQUE, NM 87106  
TEL: 505.242-5700  
FAX: 505.242-0673

**MOLZEN-CORBIN & Associates**  
ENGINEERS/ARCHITECTS/PLANNERS

**WILSON & COMPANY**  
4900 LANG AVENUE N.E.  
SUITE 100  
ALBUQUERQUE, NEW MEXICO  
87109  
(505) 348-4000

**CITY OF ALBUQUERQUE**  
PUBLIC WORKS DEPARTMENT  
WATER RESOURCES MANAGEMENT DIVISION

TITLE: SOUTHSIDE NON-POTABLE WATER FACILITIES AT PUERTO DEL SOL GOLF COURSE  
**SHEET 4 - BUILDING AND STRUCTURE ELEVATIONS**

Design Review Committee	City Engineer Approval	Last Design Update	Mo./Day/Yr.	Mo./Day/Yr.

City Project No. **6885-05** Zone Map No. **L-16** Sheet **4** Of **5**

AS-BUILT INFORMATION	
CONTRACTOR	DATE
WORK BY	DATE
SUPERVISOR'S ACCEPTANCE BY	DATE
VERIFICATION BY	DATE
DRAWINGS CORRECTED BY	DATE
RECORDED BY	DATE
NO.	

BENCH MARKS	
NO.	DATE

SURVEY INFORMATION	
FIELD NOTES	BY

ENGINEER'S SEAL	
NO.	DATE

NO.	DATE	REMARKS	BY
1	2/14/05	MOVE TANK 350' WEST	KM
REVISIONS			
WILSON & COMPANY, ENGINEERS & ARCHITECTS			
DESIGNED BY	NRH	1/6/05	
DRAWN BY	NRH	1/6/05	
CHECKED BY	KRM	1/6/05	

SHEET4.RWG 1=1 04-07-05 DRB DWGS EPC\DRB DWGS\SHEET4.RWG



