

UNITS: FEET (F) AND INCHES (IN)  
 Y = 1,514,900.64  
 X = 1,512,770.23  
 Elevation = 5,021.65 (NAVD 88)  
 Delta Alpha = -001'46"  
 G=0=0.999682367

LOT 1  
**BOSQUE PLAZA**  
 Filed 9-9-2004, Vol. 2004C, Folio 287

2 STORY (26'-0")  
 2,699 NLSF 1ST  
 FLR  
 1,556 NLSF 2ND  
 FLR

1 STORY  
 (17'-6")  
 4,643 NLSF

Existing Drainage Channel

T 9  
**PLAZA**  
 Vol. 2004C, Folio 287

1/2" Aluminum Monument  
 Station= 5000.23

T A  
**PLAZA**  
 2004C, Folio 287

LOT 3  
**BOSQUE PLAZA**  
 Filed 9-9-2004, Vol. 2004C, Folio 287

LOT 8  
**THE PRESERVE**  
 Filed 8-25-2003, Vol. 2003C, Folio 260

**LANDSCAPE LEGEND**

QTY	SIZE	COMMON/BOTANICAL	H2O USE
<b>Trees</b>			
3	2" cal	Chinese Pistache <i>Fistacia chinensis</i>	1225 3675 M
5	6 - 8'	Afghan Pine <i>Pinus eldarica</i>	625 3125 M
5	15 Gal	Chaste Tree <i>Vitex Agus Castus</i>	625 3125 M
5	15 Gal	Raywood Ash <i>Fraxinus oxycarpa 'Raywood'</i>	675 2500 M
9	15 Gal	Desert Willow <i>Chilopsis linearis</i>	625 5625 M
<b>Shrubs &amp; Groundcovers</b>			
6	5 Gal	Beak Grass <i>Nolina microcarpa</i>	49 294 M
29	5 Gal	Regal Mist <i>Muhlenbergia capillaris</i>	25x2 4 116 M
1	5 Gal	Butterfly Bush <i>Buddleia davidii</i>	5x1 49 49 M
2	4 - 6'	Red Yucca <i>Hesperaloe parviflora</i>	3x5 36 72 M
16	5 Gal	Honeyuckle <i>Lonicera sempervirens</i>	1x12 144 2304 M
11	5 Gal	Cherry Sage <i>Salvia greggii</i>	2x3 9 99 M
9	5 Gal	Blue Mist <i>Caryopteris x clandonensis</i>	3x4 12 108 M
17	5 Gal	Dwarf Turpentine Bush <i>Ericameria laricifolia</i>	3x6 612 L
21	5 Gal	Tree Leaf Sumac <i>Rhus trilobata</i>	6x1 49 1029 L
21	5 Gal	Chamisa <i>Chrysothamnus nauseosus</i>	5x1 49 1029 L
13	2-3cf	Boulders To be placed at contractor discretion	5712.00
1993		Landscape Gravel / Filter Fabric 3/4" Crushed Grey	
400		Upsize Landscape Gravel / Filter Fabric 2-4" Adobe Rose	

**LANDSCAPE NOTES:**  
 Landscape maintenance shall be the responsibility of the Property Owner. The Property Owner shall maintain street trees and shrubs in a living, healthy, and attractive condition.

Water management is the sole responsibility of the Property Owner. All landscaping will be in conformance with the City of Bernalillo Zoning Code. In general, water conservative, environmentally sound landscape principles will be followed in design and installation.

Landscape Gravel over Filter Fabric to a minimum depth of 3" shall be placed in all landscape areas which are not designated to receive native seed.

It is the intent of this plan to comply with the City Of Albuquerque Water Conservation Landscaping and Water Waste Ordinance planting restriction approach. Approval of this plan does not constitute or imply exemption from water waste provisions of the Water Conservation Landscaping and Water Waste Ordinance.

**IRRIGATION NOTES:**  
 Irrigation system maintenance and operation shall be the sole responsibility of the owner. It shall be the owners responsibility to ensure that fugitive water does not leave the site due to overwatering.

Irrigation shall be a complete underground system with trees to receive 1 Netafim spiral (50' length) with 3 loops at a final radius of 4.5' from tree trunk, pinned in place. Netafim shall have emitters 12" o.c. with a flow of 6 gph. Shrubs to receive (2) 1/2 GPH Drip Emitters. Drip and Bubbler systems to be tied to 1/2" poly pipe with flush caps at each end.

Run time per each shrub drip valve will be approximately 15 minutes per day. Tree drip valve shall run 15 hours, 3 times per week. Run time will be adjusted according to the season.

Point of connection for irrigation system is unknown at current time and will be coordinated in the field. Irrigation will be operated by automatic controller.

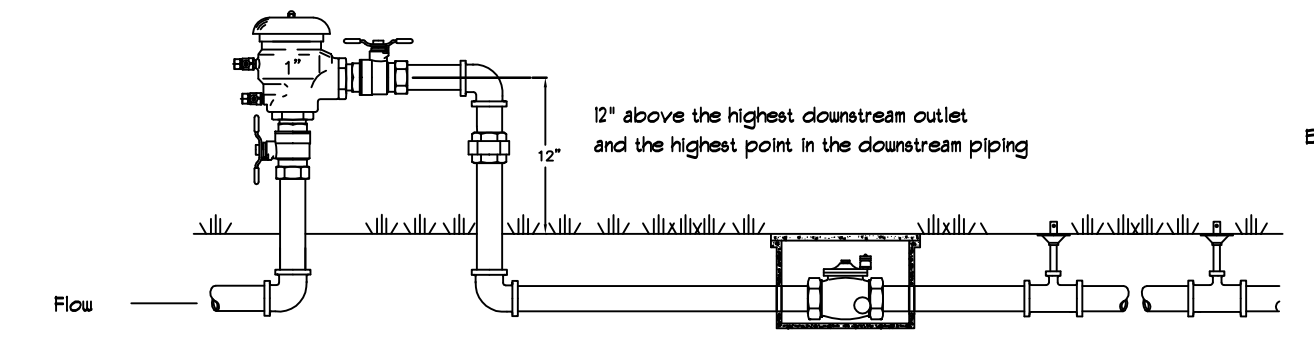
Location of controller to be field determined and power source for controller to be provided by others.

Irrigation maintenance shall be the responsibility of the Property Owner.

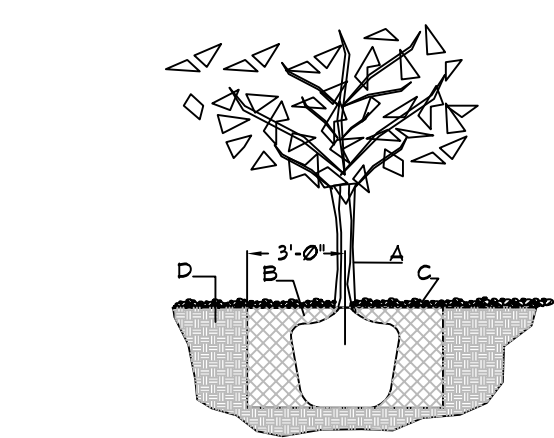
Water and Power source shall be the responsibility of the Developer/Builder.

**LANDSCAPE CALCULATIONS**

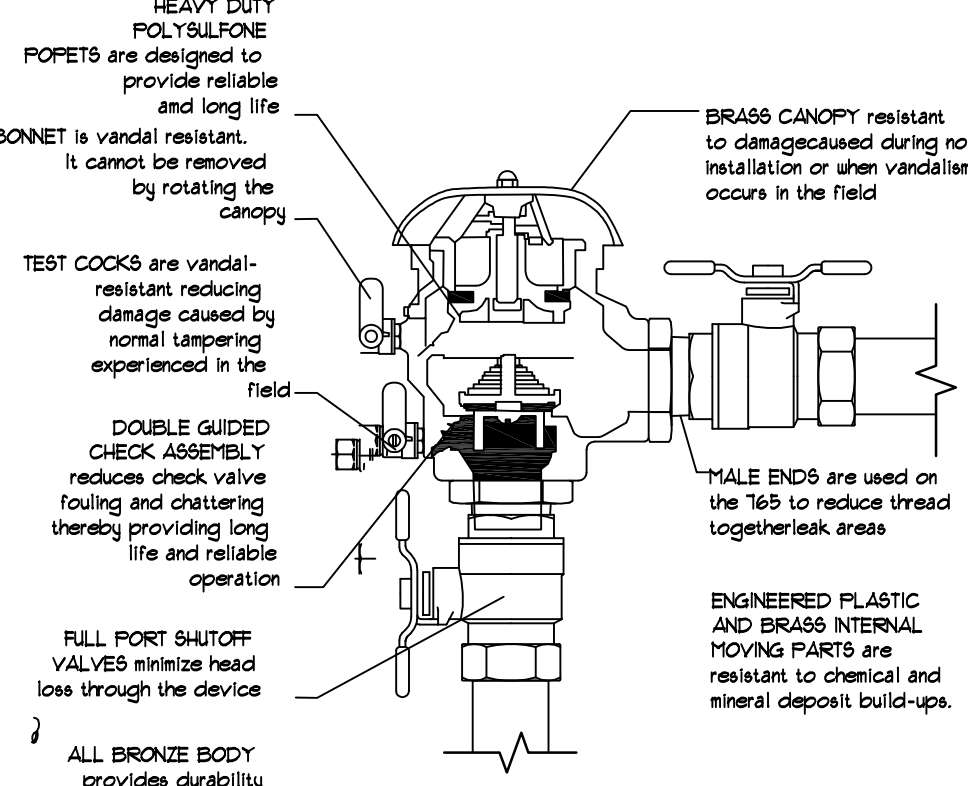
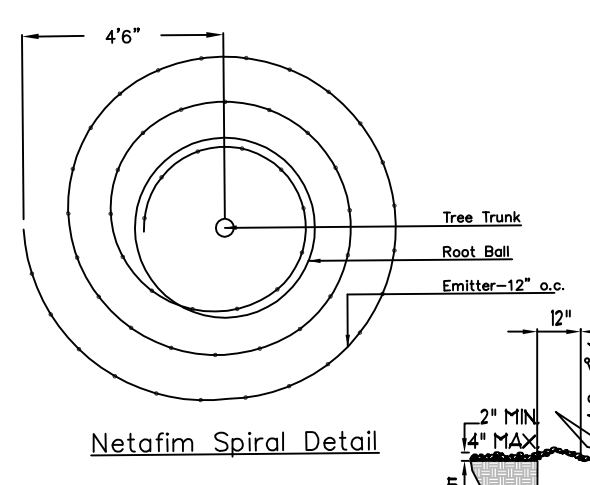
TOTAL LOT AREA (sf)	83764
TOTAL BUILDING AREA (sf)	-1342
TOTAL LOT AREA (sf)	76422
LANDSCAPE REQUIREMENT (X.15)	11463
TOTAL LANDSCAPE REQUIRED (15%)	11463
TOTAL ON-SITE LANDSCAPE PROVIDED	1993
TOTAL LIVE PLANT MATERIAL REQUIRED (80%)	15930
TOTAL LIVE PLANT MATERIAL PROVIDED	23762.00



Pressure Vacuum Breaker Outside Installation  
**FEBCO MODEL 765**



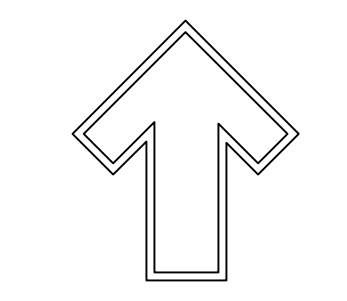
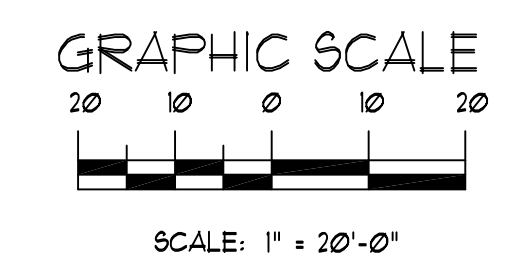
**TREE PLANTING DETAIL**  
 NTS  
**GENERAL NOTES:**  
 1. ROOTBALL SHALL BE PLACED ON UNDISTURBED SOIL TO PREVENT TREE FROM SETTLING.  
 2. TOP OF ROOTCOLLAR INDICATED LEVEL AT WHICH TREE WAS GROWN AND DOTS THIS REPRESENTS THE LEVEL AT WHICH THE TREE SHOULD BE INSTALLED; THAT LEVEL MAY BE EXCEEDED BY ONLY A ONE INCH LAYER OF SOIL.  
 3. PRIOR TO BACKFILLING TREE, ALL WIRE, ROPE AND SYNTHETIC MATERIALS SHALL BE REMOVED FROM THE TREE AND THE PLANTING PIT.  
 4. PRIOR TO BACKFILLING ALL BURLAP SHALL BE CUT AWAY EXCEPT FROM BOTTOM OF THE ROOTBALL.  
**CONSTRUCTION NOTES:**  
 A. TREE  
 B. BACKFILL WITH EXISTING SOIL.  
 C. 3" DEPTH OF GRAVEL MULCH.  
 D. UNDISTURBED SOIL.



**FEBCO MODEL 765**  
 Pressure Vacuum Breaker Features



**SHRUB PLANTING DETAIL**  
 NTS  
**GENERAL NOTES:**  
 1. THE OUTSIDE DIAMETER OF THE WATER RETENTION BASIN SHALL BE TWICE THE DIAMETER OF THE SHRUB PLANTING PIT.  
**CONSTRUCTION NOTES:**  
 A. SHRUB  
 B. BACKFILL WITH EXISTING SOIL.  
 C. EARTH BERTH AROUND WATER RETENTION BASIN.  
 D. 3" DEPTH OF GRAVEL MULCH.  
 E. FINISH GRADE.  
 F. UNDISTURBED SOIL.



The Hilltop  
 7209 Edith NE  
 Albuquerque, NM 87113  
 Cont. Lic. #16458  
 PH: (505) 898-3630  
 FAX: (505) 898-1131  
 danny@hilltoplandscaping.com

Landscape Architect



Aria Architects

Legacy Home Health  
 Bosque Plaza  
 Albuquerque, NM

LANDSCAPE PLAN

DRB

The design contained herein remains the property of The Hilltop Landscape Architects and is provided by copyright. It is to be used only for the project for which it was prepared and is not to be reproduced or copied in any form without the written consent of The Hilltop Landscape Architects. This release is void unless accompanied by a job order placed.



DRAWN BY  
 RES. 001  
 8/20/2011  
 8/26/2011  
 10/25/2011

DATE  
 8/27/2011

SHEET #  
 LS-101