

DOCH 2016042182

05/10/2016 03:12 PM Page: 2 of 2  
PLAT R: \$25.00 B: 201604 P: 0653 R. Toulouse Oliver, Bernalillo Co

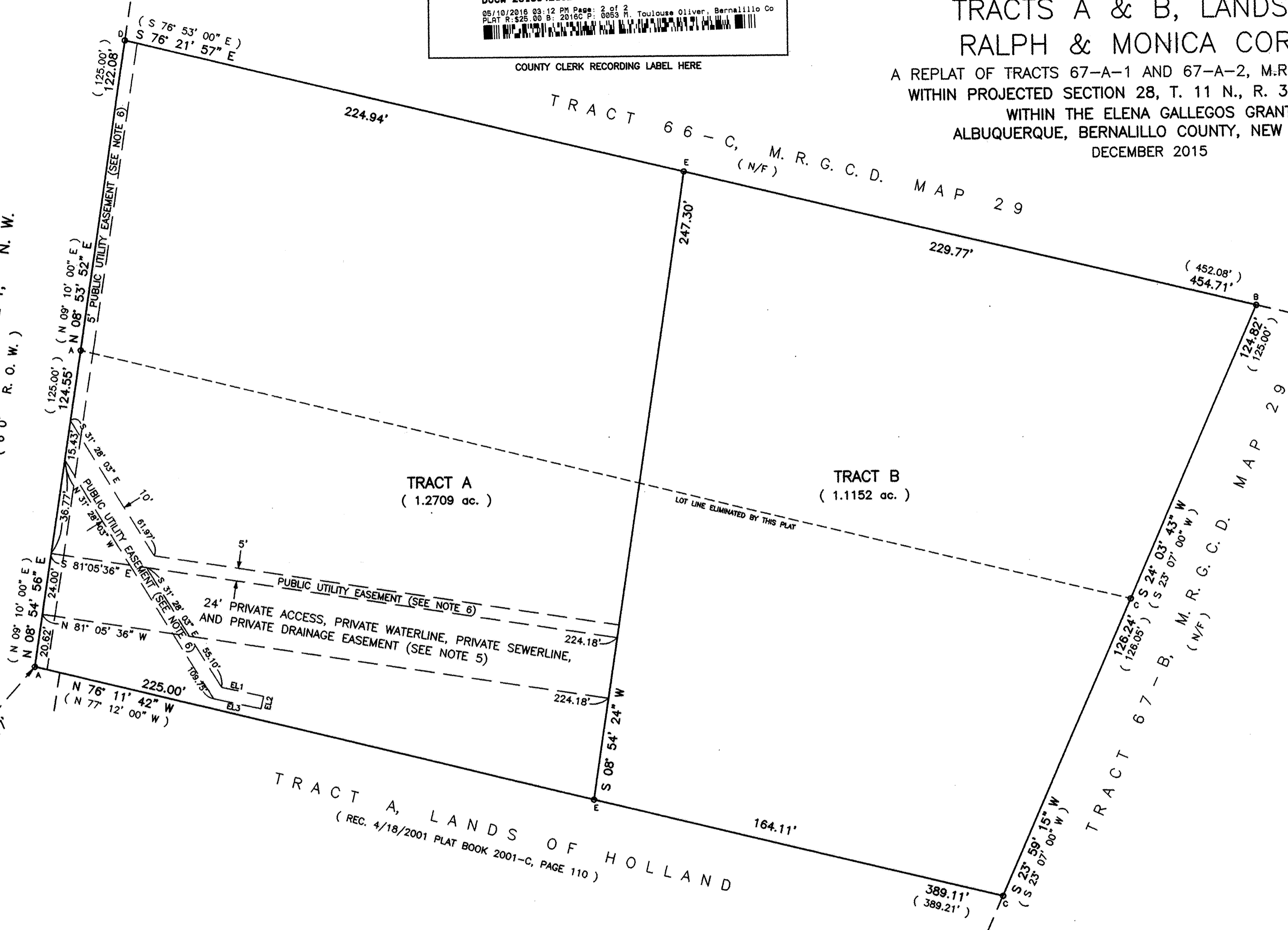
COUNTY CLERK RECORDING LABEL HERE

# PLAT OF TRACTS A & B, LANDS OF RALPH & MONICA CORRIZ

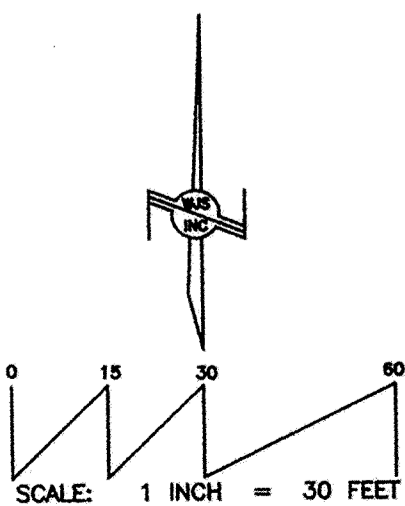
A REPLAT OF TRACTS 67-A-1 AND 67-A-2, M.R.G.C.D. MAP 29  
WITHIN PROJECTED SECTION 28, T. 11 N., R. 3 E., N.M.P.M.  
WITHIN THE ELENA GALLEGOS GRANT  
ALBUQUERQUE, BERNALILLO COUNTY, NEW MEXICO  
DECEMBER 2015

TRACT 66 - C, M. R. G. C. D. MAP 29  
(N/F)

FOURTH STREET, N. W.  
(60' R.O.W.)

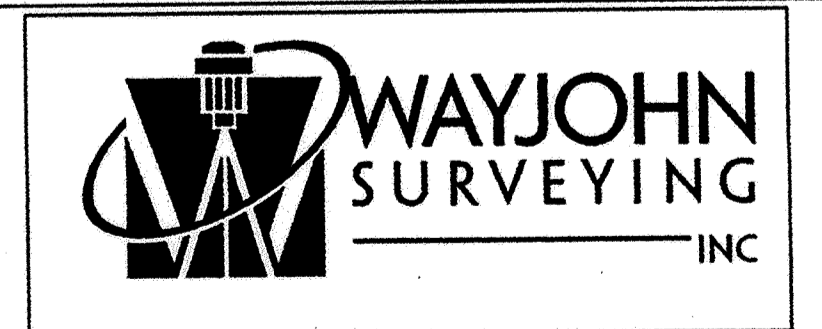
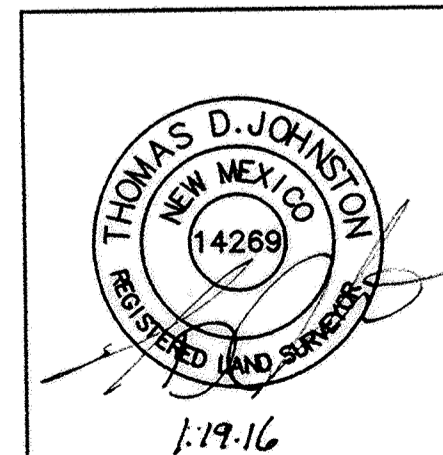


ACS STATION "DOUGLAS"  
x=1,520,286.421  
y=1,505,417.495  
Ground-to-grid:  
0.999682452  
Mapping Angle: -00°13'52.53"  
NMSP CENTRAL ZONE  
NAD 83



- LEGEND:
- O = FOUND/SET MONUMENT AS NOTED:
  - A: FOUND #4 REBAR AND CAP "LS 11808"
  - B: FOUND #4 REBAR - ILLEGIBLE CAP
  - C: FOUND #4 REBAR - NO CAP
  - D: FOUND 1" STEEL PIPE
  - E: SET #4 REBAR AND CAP "PS 14269"

EASEMENT LINE INFORMATION		
LINE NO.	LENGTH	BEARING
EL1	16.76'	S 77°35'30" E
EL2	5.00'	S 12°24'30" W
EL3	18.89'	N 77°35'30" W



330 LOUISIANA BLVD., N.E.  
ALBUQUERQUE, N.M. 87108  
PHONE: (505) 255-2052 FAX: (505) 255-2887

INDEXING INFORMATION FOR COUNTY CLERK  
OWNER: CORRIZ, RALPH & MONICA  
LOCATION: SEC. 28, T.11 N., R.3 E., LANDS OF CORRIZ

DRAWN: TRJ  
CHECKED: TDJ  
DRAWING NO.: SP70115.DWG

SCALE: 1" = 30'  
19 JAN 2016

FILE NO.: SP-7-01-2015  
SHEET 2 OF 2