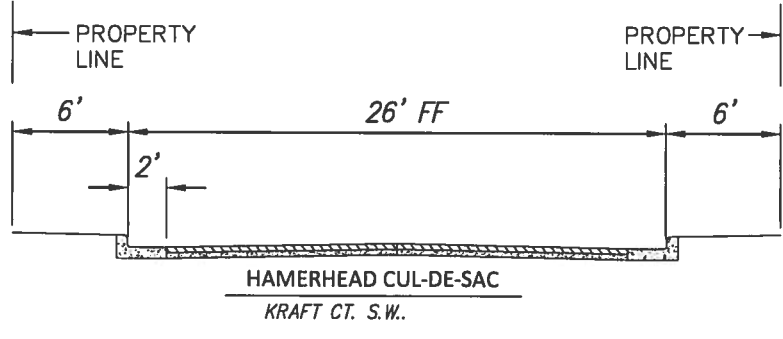
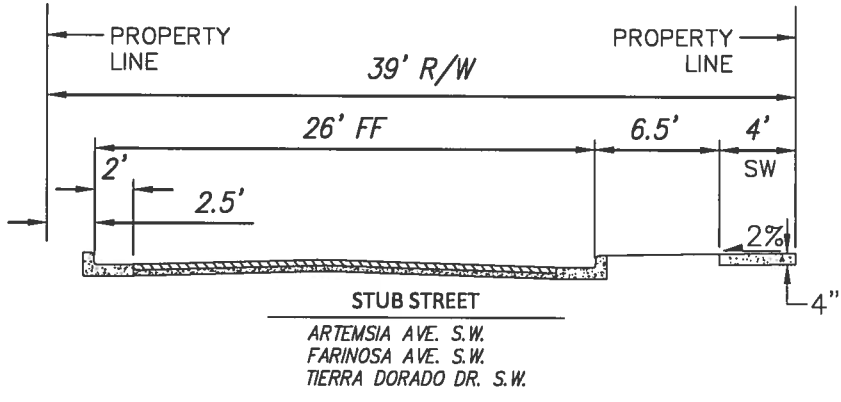
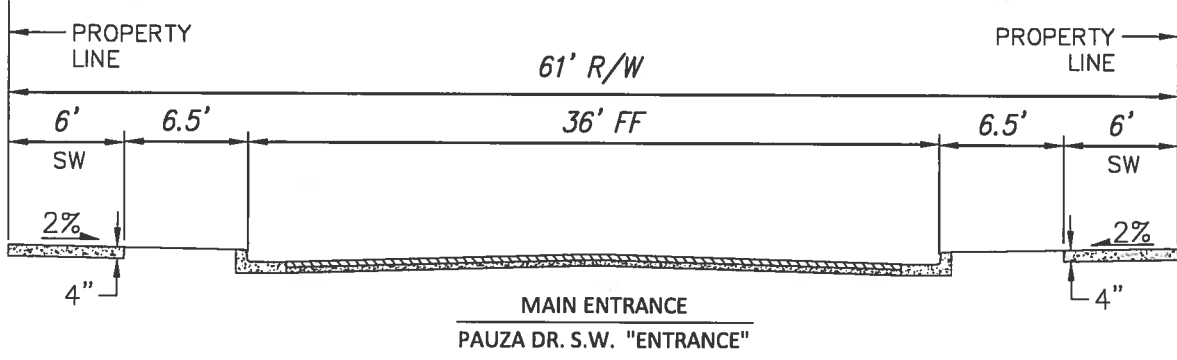
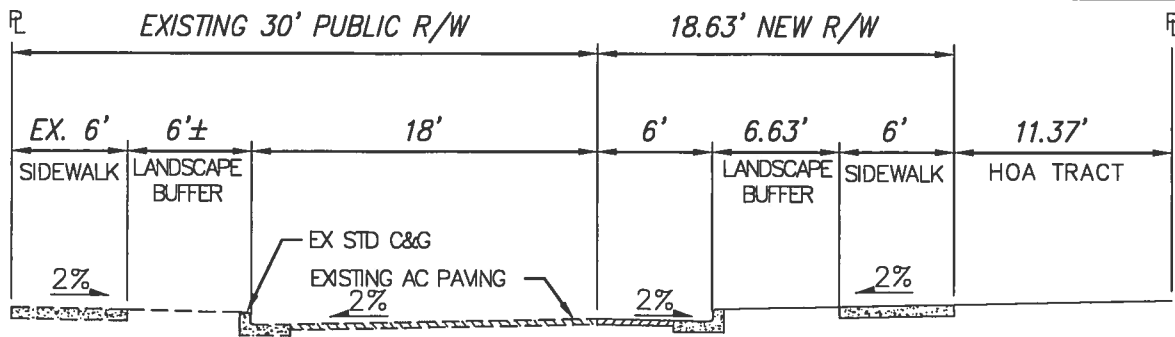


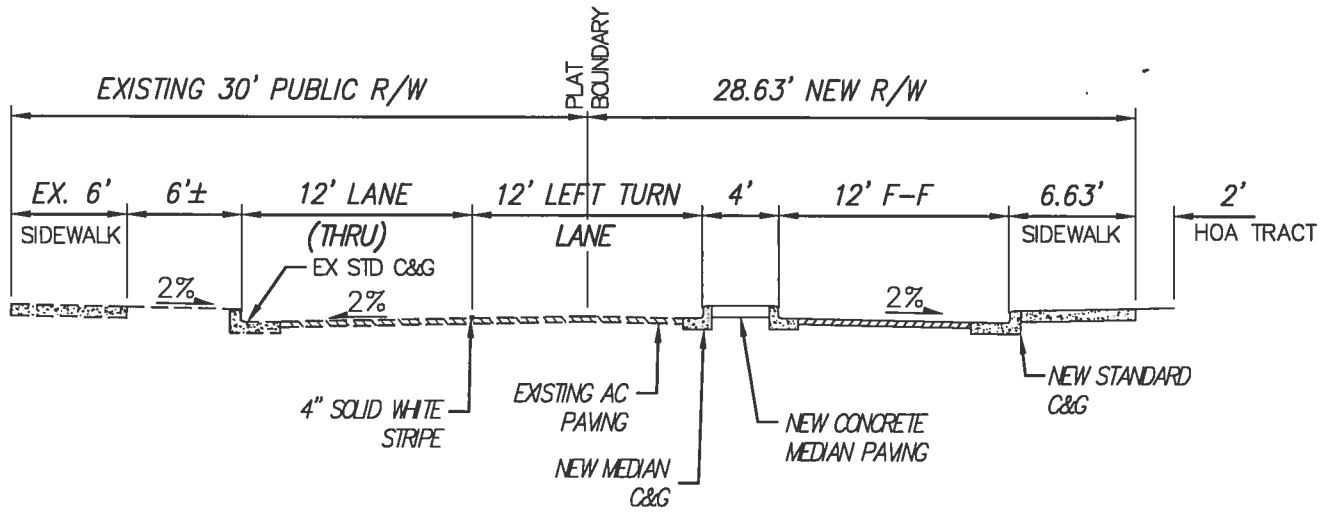
- ARTEMISIA AVE. S.W.
- ANDREWS AVE. S.W.
- FARINOSA AVE. S.W.
- SACATE BLANCO AVE. S.W.
- KRAFT CT. S.W.
- RIO MULLE DR. S.W.
- PAUZA DR. S.W.
- BASQUE DE ORO DR. S.W.
- TIERRA DORADO DR. S.W.



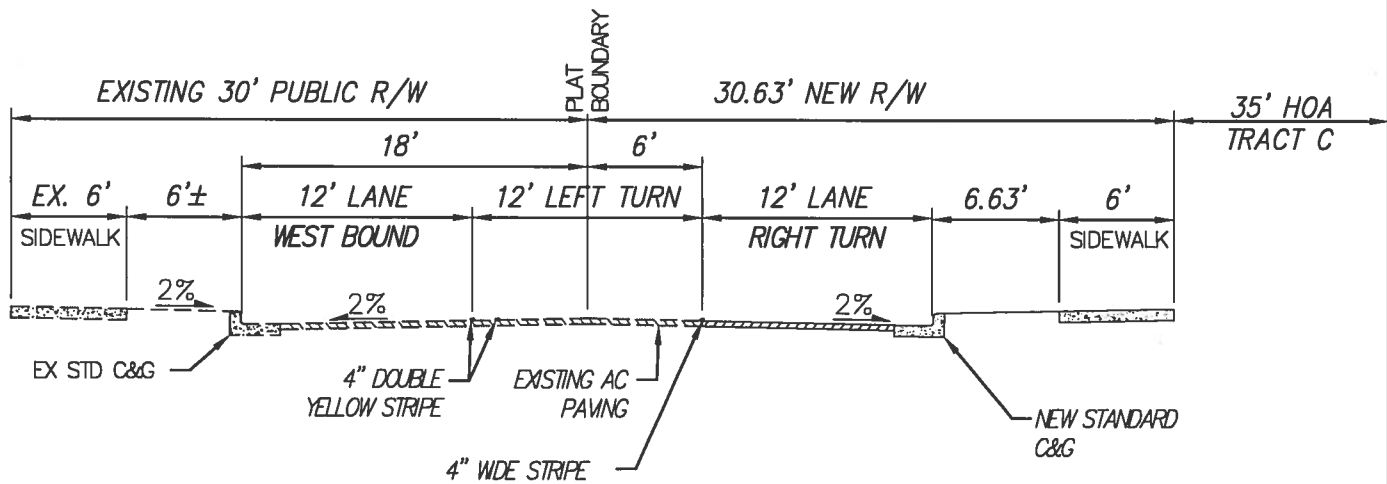
<i>CURB & SIDEWALK</i>	
<i>DIMENSIONS EXHIBIT</i>	
	MARK GOODWIN & ASSOCIATES, P.A. CONSULTING ENGINEERS
P.O. BOX 90606 ALBUQUERQUE, NEW MEXICO 87199 (505)828-2200, FAX (505)797-9539	



COLOBEL AVE FROM MORRISSEY ST. TO PAUZA DR.
AND MIDBLOCK BETWEEN PAUZA DR. AND 98TH ST.



COLOBEL AVE AT WEST BOUND LEFT TURN LANE

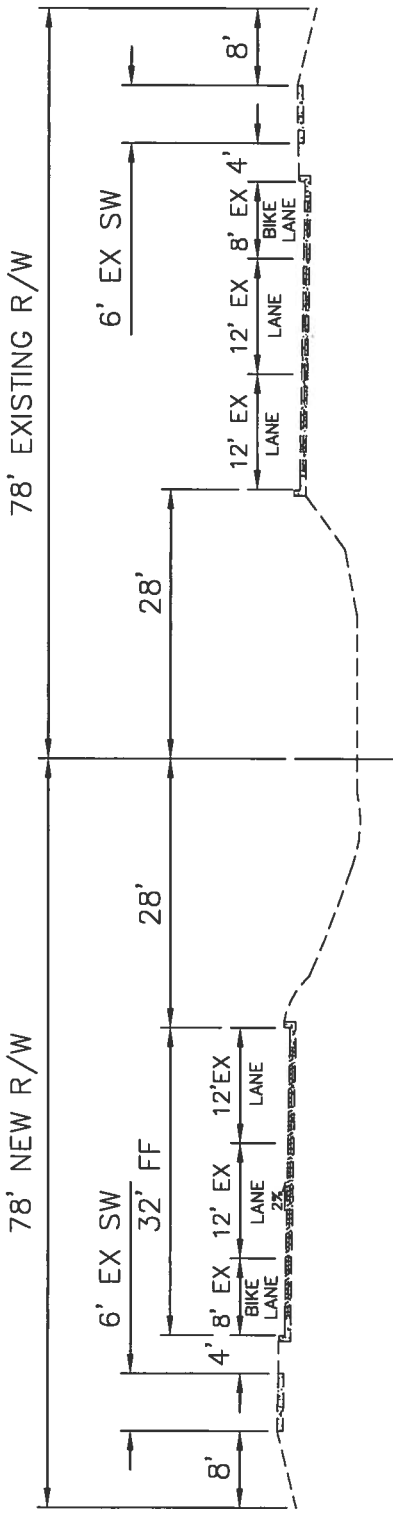


COLOBEL AVE AT EAST BOUND RIGHT TURN LANE

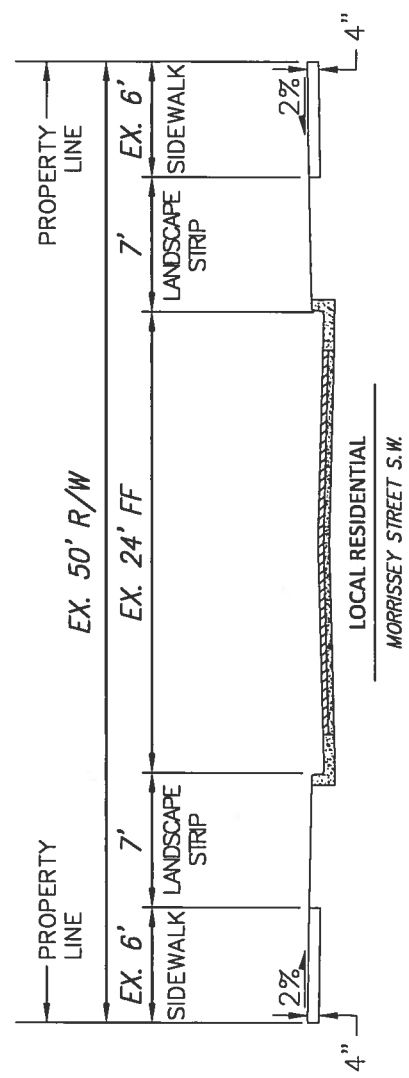
**CURB & SIDEWALK
DIMENSIONS EXHIBIT**



MARK GOODWIN & ASSOCIATES, P.A.
CONSULTING ENGINEERS
P.O. BOX 90606
ALBUQUERQUE, NEW MEXICO 87199
(505)828-2200, FAX (505)797-9539



98TH STREET S.W.



CURB & SIDEWALK
DIMENSIONS EXHIBIT

dmj
MARK GOODWIN & ASSOCIATES, P.A.
CONSULTING ENGINEERS
P.O. BOX 90606
ALBUQUERQUE, NEW MEXICO 87199
(505)828-2200, FAX (505)797-9539