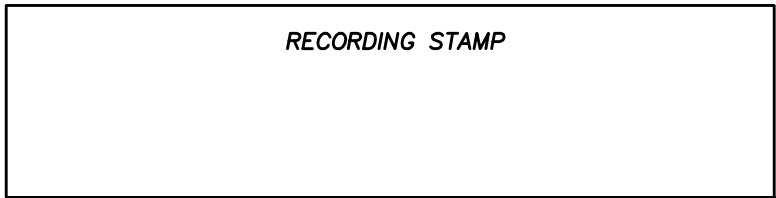


Plat of  
 Tracts 1-A, 1-B, 2-A, 3-A, Unit No. 1 and 4-A, Unit No. 2  
**Dale J. Bellamah's**  
**Carlisle Replat**  
 Section 11, Township 10 North, Range 3 East, N.M.P.M  
 Albuquerque, Bernalillo County, New Mexico  
 April 2017



**Line Table**

LINE	BEARING	DISTANCE
L14	S 89°47'34" E	19.30'
L15	N 00°29'05" E	13.60'
L16	S 89°30'55" E	27.81'
L17	N 00°29'05" E	2.30'
L18	S 89°30'43" E	22.11'
L19	S 00°29'17" W	24.33'
L20	S 89°40'37" E	9.27'
L21	S 00°19'23" W	2.99'
L22	S 89°34'46" E	10.53'
L23	N 00°29'05" E	3.02'
L24	S 89°40'37" E	16.74'
L25	S 00°19'23" W	3.07'
L26	S 89°30'55" E	10.47'
L27	N 00°19'23" E	3.13'
L28	S 89°40'37" E	16.98'
L29	S 00°19'23" W	3.18'
L30	S 89°30'55" E	10.30'
L31	N 00°19'23" E	3.23'
L32	S 89°40'37" E	16.94'
L33	S 00°19'23" W	3.27'
L34	S 89°30'55" E	10.34'
L35	N 00°19'23" E	3.32'
L36	S 89°40'37" E	17.12'
L37	S 00°19'23" W	3.37'
L38	S 89°30'55" E	10.63'
L39	N 00°31'27" E	3.41'
L40	S 89°28'50" E	9.28'
L41	S 00°29'05" W	7.00'
L42	S 89°30'55" E	10.70'
L43	N 00°29'05" E	7.90'
L44	S 89°30'55" E	15.09'
L45	N 00°23'44" E	3.81'
L46	S 89°36'16" E	16.91'
L47	S 00°23'44" W	3.84'
L48	S 89°30'55" E	10.52'
L49	N 00°23'44" E	3.87'
L50	S 89°36'16" E	16.58'
L51	S 00°23'48" W	3.90'
L52	S 89°30'55" E	4.13'
L53	S 00°29'05" W	26.21'
L54	N 89°30'55" W	7.20'
L55	S 00°29'05" W	6.20'
L56	S 89°30'55" E	4.00'
L57	S 00°29'05" W	5.39'
L58	S 89°36'29" E	3.37'
L59	S 00°23'31" W	17.07'
L60	N 89°36'29" W	3.40'
L61	S 00°29'05" W	10.41'
L62	S 89°36'29" E	3.44'
L63	S 00°23'31" W	16.86'
L64	N 89°36'29" W	3.46'
L65	S 00°29'05" W	10.42'
L66	S 89°36'29" E	3.50'
L67	S 00°23'31" W	16.93'
L68	N 89°36'29" W	3.53'
L69	S 00°29'05" W	10.55'
L70	S 89°36'29" E	3.56'
L71	S 00°23'31" W	16.62'
L72	N 89°36'29" W	3.59'
L73	S 00°29'05" W	10.68'
L74	S 89°36'29" E	3.63'
L75	S 00°23'31" W	16.71'
L76	N 89°36'29" W	3.65'
L77	S 00°29'05" W	5.91'
L78	N 89°30'55" W	3.90'
L79	S 00°29'05" W	6.20'
L80	S 89°30'55" E	7.10'
L81	S 00°29'05" W	26.11'
L82	S 00°31'27" W	3.46'
L83	N 89°46'09" W	16.80'
L84	N 00°31'27" E	3.54'
L85	N 89°30'55" W	10.70'
L86	S 00°31'27" W	3.60'
L87	N 89°46'09" W	16.55'
L88	N 00°31'27" E	3.68'
L89	N 89°30'55" W	15.35'
L90	N 89°39'04" W	0.70'
L91	N 89°39'04" W	10.40'
L92	N 00°20'56" E	2.50'

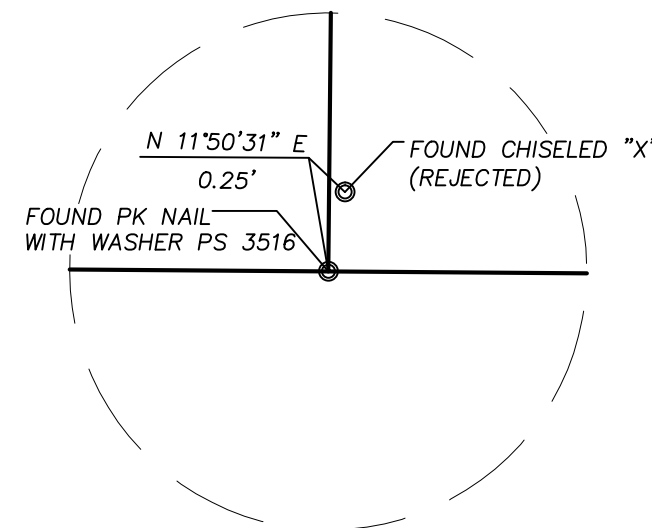
**Line Table**

LINE	BEARING	DISTANCE
L93	N 89°39'04" W	0.60'
L94	N 89°47'46" W	7.27'
L95	N 00°29'05" E	3.44'
L96	N 89°30'55" W	11.84'
L97	S 00°31'27" W	3.52'
L98	N 89°47'58" W	16.63'
L99	N 00°29'05" E	3.60'
L100	N 89°30'55" W	10.71'
L101	S 00°31'27" W	3.67'
L102	N 89°47'58" W	16.62'
L103	N 00°31'27" E	3.75'
L104	N 89°30'55" W	10.74'
L105	S 00°31'27" W	3.82'
L106	N 89°47'58" W	16.69'
L107	N 00°31'27" E	3.91'
L108	N 89°30'55" W	10.45'
L109	S 00°31'27" W	3.98'
L110	N 89°47'58" W	16.70'
L111	N 00°31'27" E	4.06'
L112	N 89°30'55" W	10.73'
L113	S 00°31'27" W	4.13'
L114	N 89°47'58" W	16.56'
L115	N 00°31'27" E	4.21'
L116	N 89°30'55" W	13.84'
L118	N 00°15'46" E	38.44'
L119	N 89°30'55" W	3.30'
L120	N 00°29'05" E	1.20'
L121	N 89°06'31" W	8.32'
L122	N 00°23'04" E	39.77'
L123	S 89°33'37" E	41.05'
L124	N 01°24'32" E	7.00'
L125	S 89°30'55" E	9.00'
L127	N 89°39'05" W	20.28'
L128	S 00°03'05" W	32.05'
L129	S 89°28'03" E	20.99'
L130	S 45°51'32" W	11.89'
L131	N 89°47'38" W	43.91'
L132	N 53°27'40" W	23.61'
L133	S 89°54'40" W	23.10'
L134	N 44°31'52" W	10.89'
L135	N 00°22'40" E	15.46'
L136	N 89°37'20" W	1.40'
L137	N 00°22'40" E	50.80'
L138	S 89°39'04" E	35.20'
L139	N 00°20'56" E	4.90'
L140	S 89°39'04" E	18.90'
L141	N 00°20'56" E	4.90'
L142	S 89°39'04" E	4.60'
L143	N 00°20'56" E	3.00'
L144	S 89°39'04" E	20.21'
L145	S 00°20'56" W	3.00'
L146	S 89°39'04" E	18.81'
L147	N 00°20'56" E	3.00'
L148	S 89°39'04" E	25.11'
L149	S 00°20'56" W	3.00'
L150	N 00°20'56" E	2.80'
L151	S 89°39'04" E	25.31'
L152	S 00°20'56" W	2.80'
L153	S 89°39'04" E	4.80'
L154	N 00°20'56" E	2.80'
L155	S 89°39'04" E	25.31'
L156	S 00°20'56" W	2.80'
L157	S 89°39'04" E	18.11'
L158	S 00°20'56" W	2.80'
L159	S 89°39'04" E	30.80'
L160	S 00°20'56" W	7.00'
L161	S 89°39'04" E	12.00'
L162	S 59°41'04" E	25.62'
L163	S 00°20'56" W	12.40'
L164	S 89°39'04" E	13.30'
L165	S 00°20'56" W	9.40'
L166	N 89°39'04" W	2.00'
L167	S 00°20'56" W	4.00'
L168	S 89°39'01" E	7.50'
L169	N 89°39'04" W	5.00'
L170	S 00°20'56" W	30.21'
L171	S 89°39'04" E	2.00'
L172	S 00°20'56" W	12.09'
L173	N 89°39'04" W	59.70'
L174	N 00°20'56" E	5.00'
L175	N 89°39'04" W	6.40'
L176	N 00°20'56" E	4.80'
L177	N 89°39'04" W	14.40'
L178	S 00°20'56" W	7.30'
L179	S 00°20'56" W	0.30'
L180	N 89°39'04" W	9.50'
L181	N 00°20'56" E	6.10'
L182	N 89°39'04" W	44.00'
L183	N 89°39'04" W	2.10'
L184	N 00°20'56" E	22.51'
L185	S 89°39'04" E	2.10'

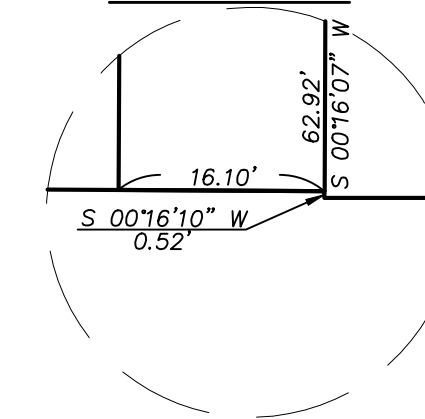
**Curve Table**

CURVE	RADIUS	ARC LENGTH	CHORD LENGTH	CHORD BEARING	DELTA ANGLE
C1	14.33' (14.33')	7.00' (7.31')	6.93'	S 31°02'12" W	28°00'06" (28°14'28")
C2	41.64' (41.67')	37.41' (37.45')	36.16'	S 40°05'15" W	51°28'09" (51°28'09")
C3	2.00'	3.14'	2.83'	S 44°30'55" E	90°00'00"
C4	2.00'	3.14'	2.83'	S 45°29'05" W	90°00'00"
C5	2.00'	3.14'	2.83'	N 44°30'55" W	90°00'00"

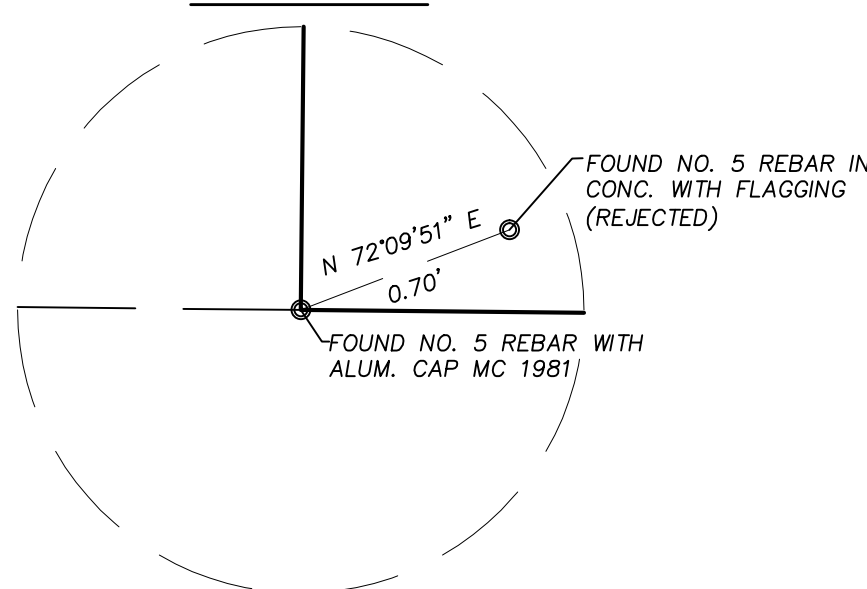
**Detail "A"**



**Detail "C"**



**Detail "B"**



OFFICE LOCATION:  
 9200 San Mateo Boulevard, NE  
 Albuquerque, NM 87113

505.856.5700 PHONE  
 505.856.7900 FAX

INDEXING INFORMATION FOR COUNTY CLERK  
 OWNER ROC NM 2500 CARLISLE INC  
 SECTION 11, TOWNSHIP 10N, RANGE 3 E,  
 SUBDIVISION DALE J. BELLAMAH'S CARLISLE REPLAT  
 UPC 101705905518731030