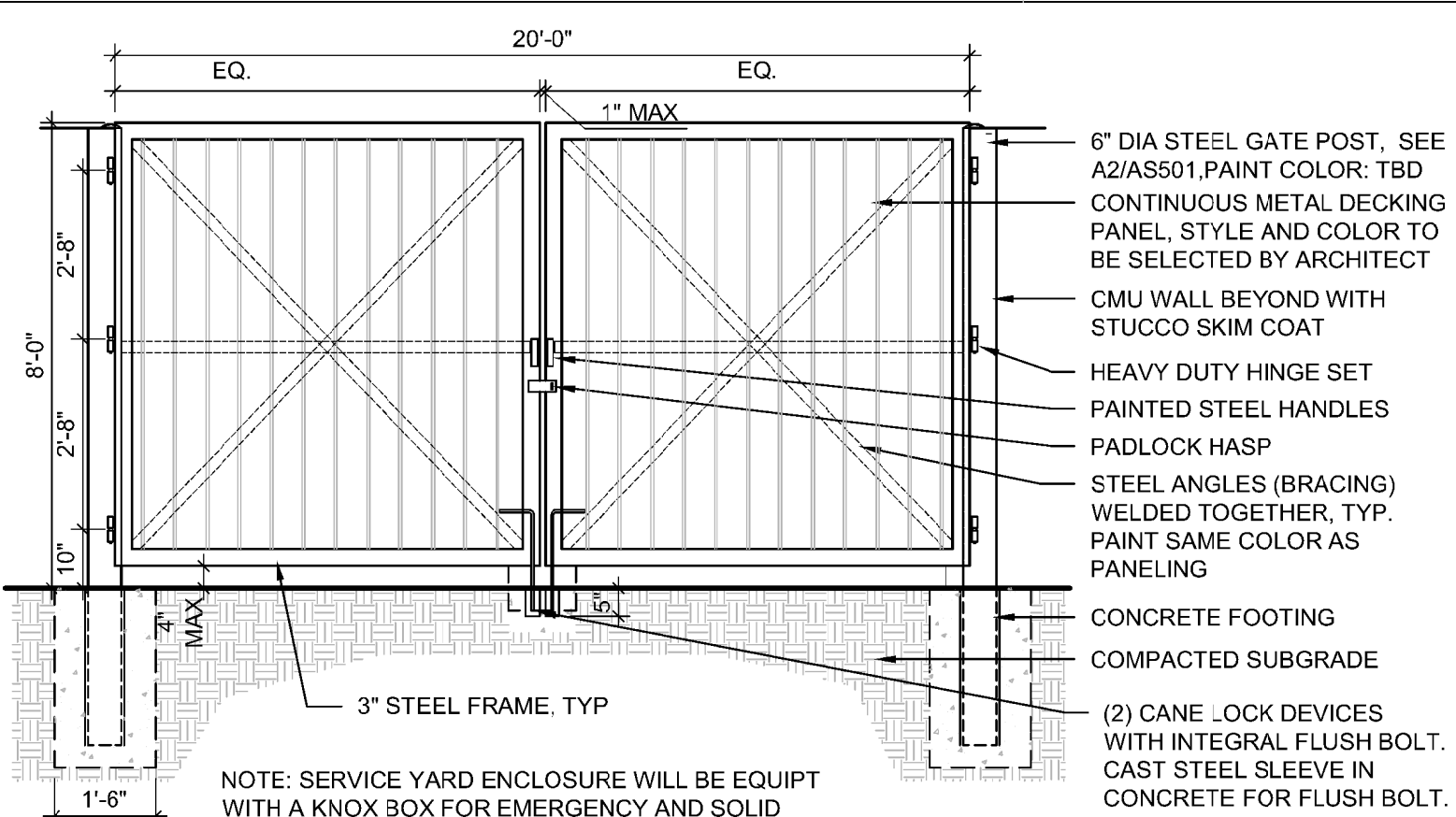
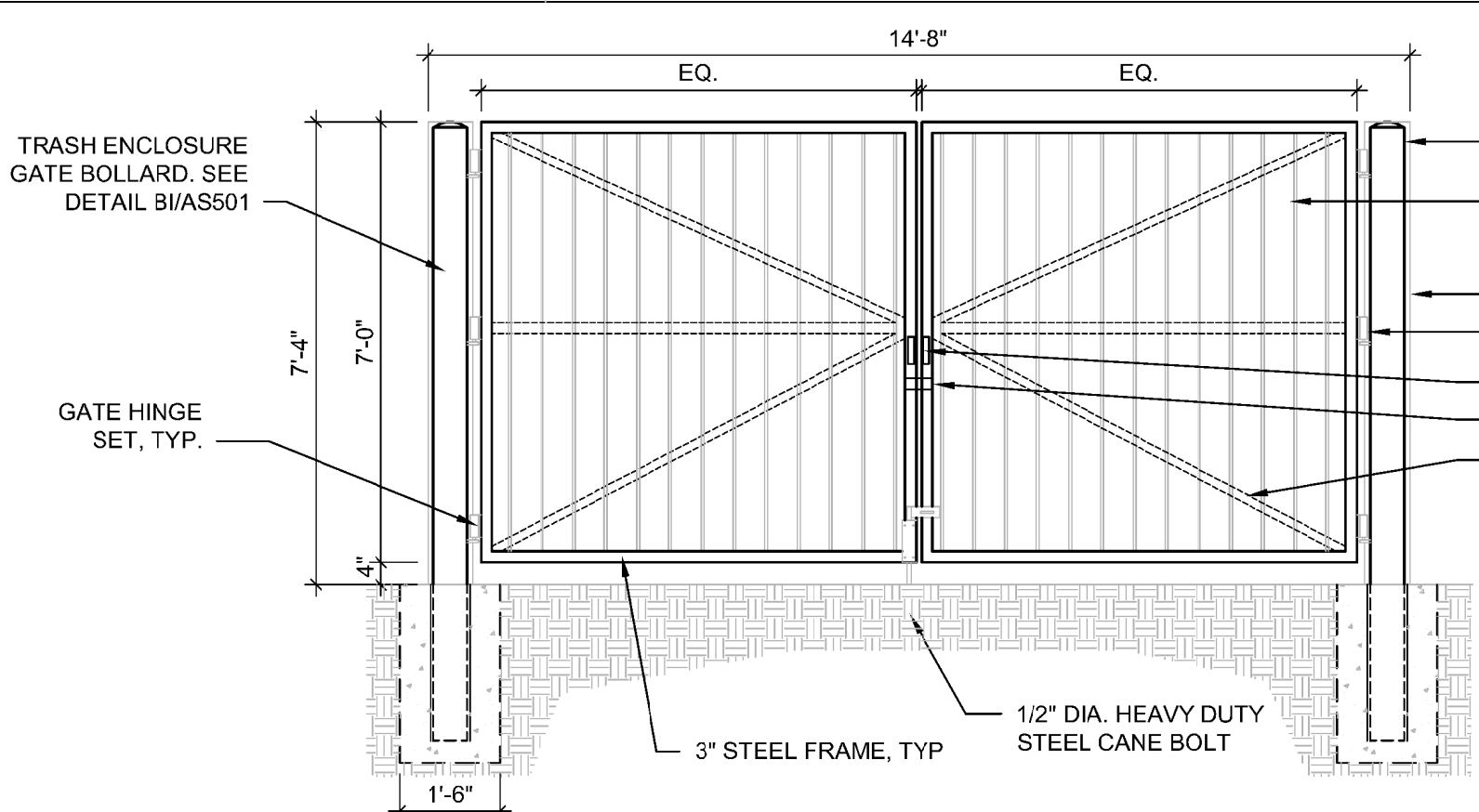


Table with 2 columns: REVISIONS, and 2 rows of revision symbols and descriptions.

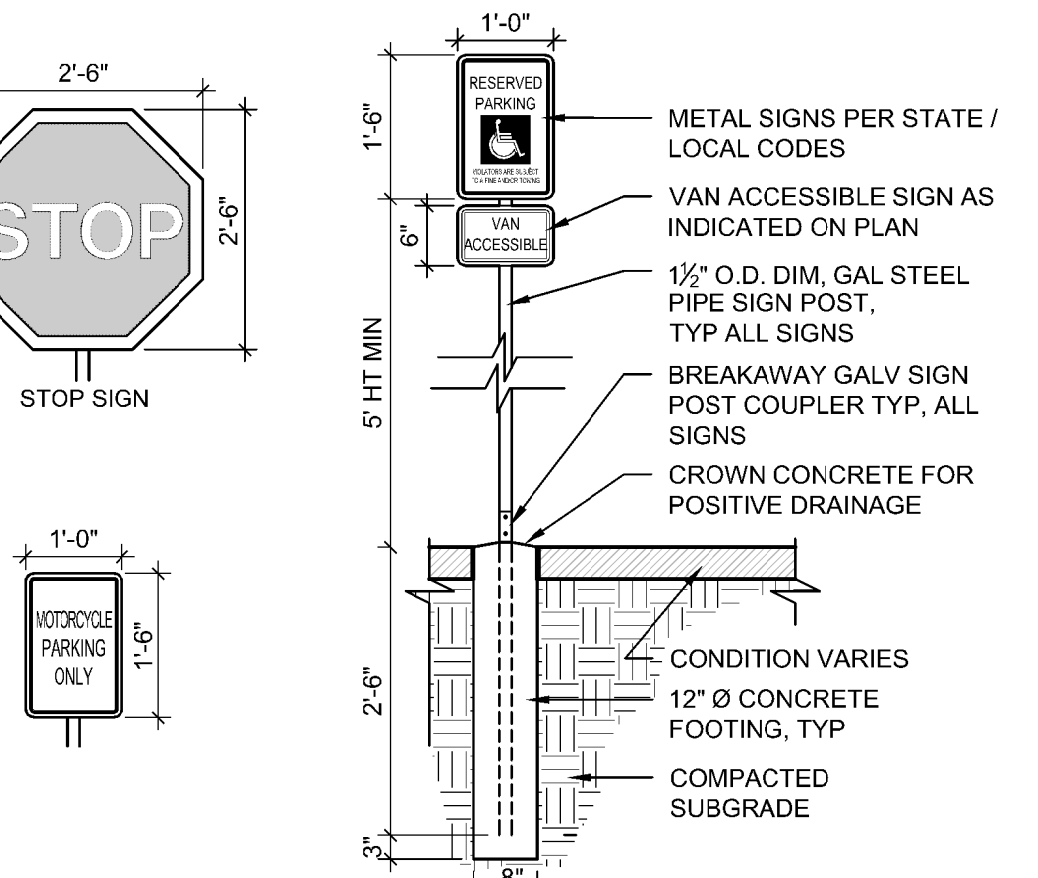
Table with 2 columns: DRAWN BY, REVIEWED BY, DATE, PROJECT NO., DRAWING NAME. Values: DPS, CRG, 03/09/2018, 17-0130, SITE DETAILS.



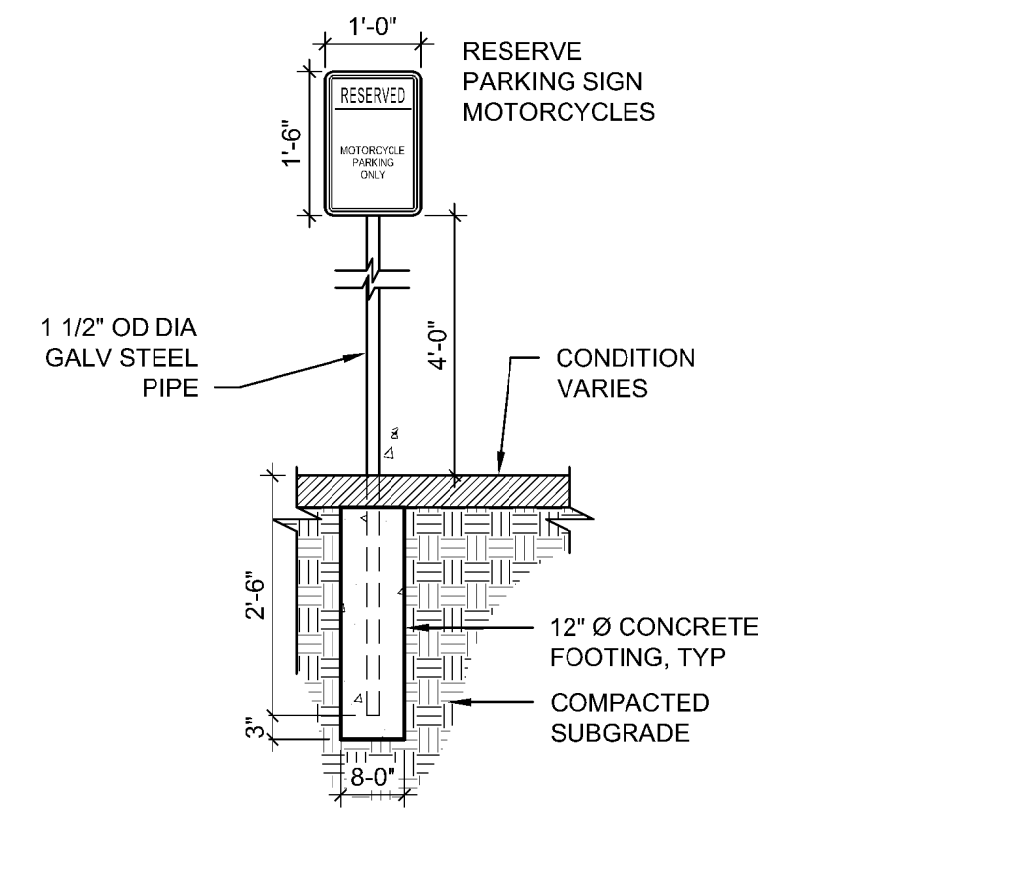
D1 SERVICE YARD ENCLOSURE GATE 3/8" = 1'-0"



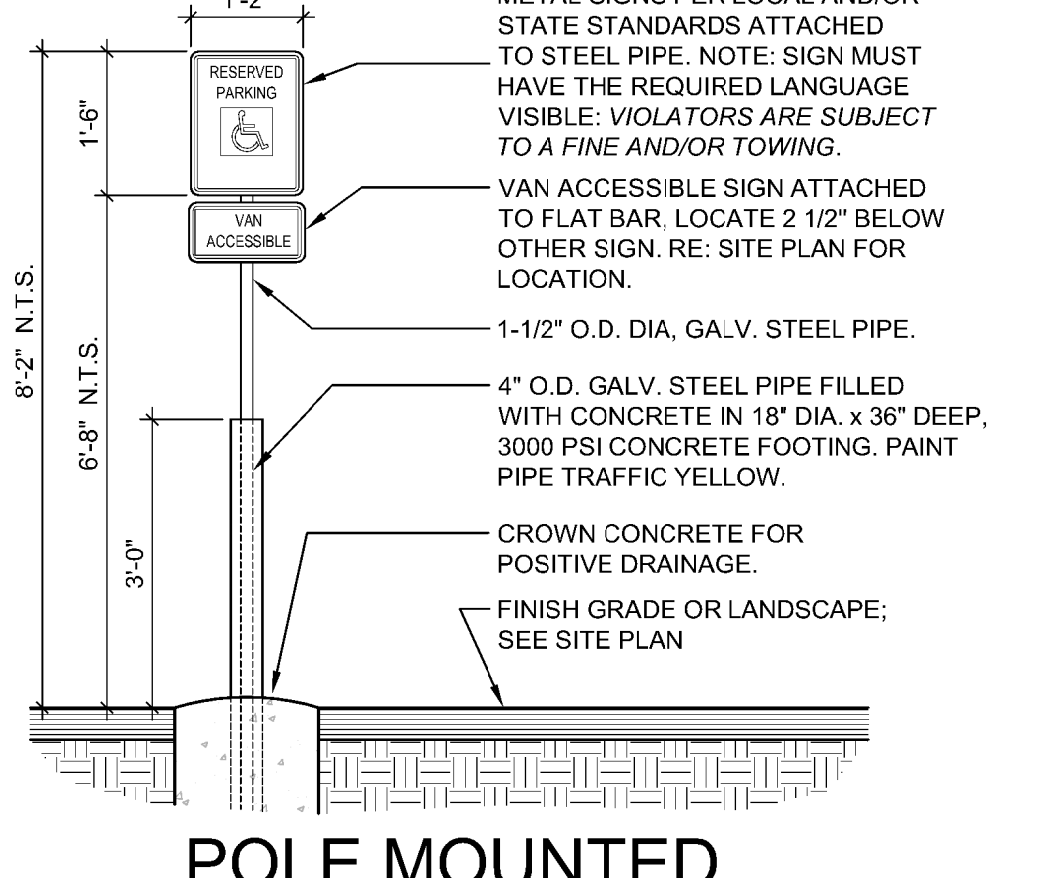
D2 TRASH ENCLOSURE 3/8" = 1'-0"



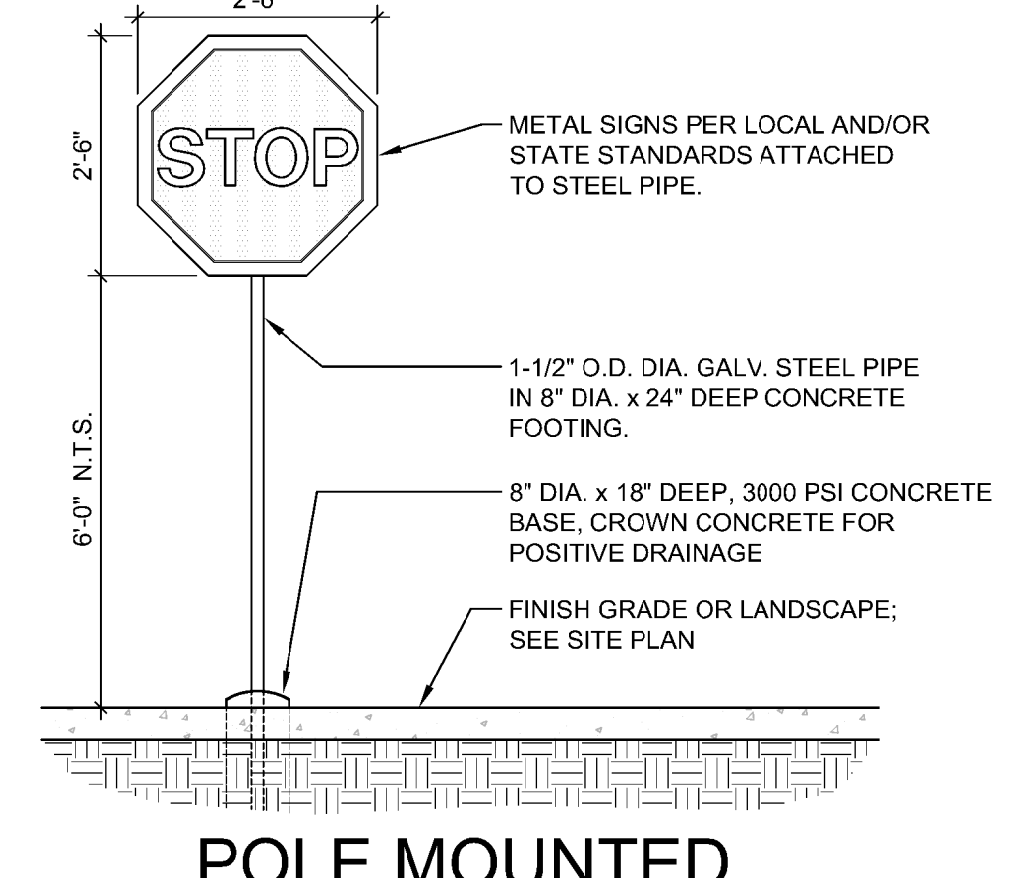
C1 SIGNAGE 1/2" = 1'-0"



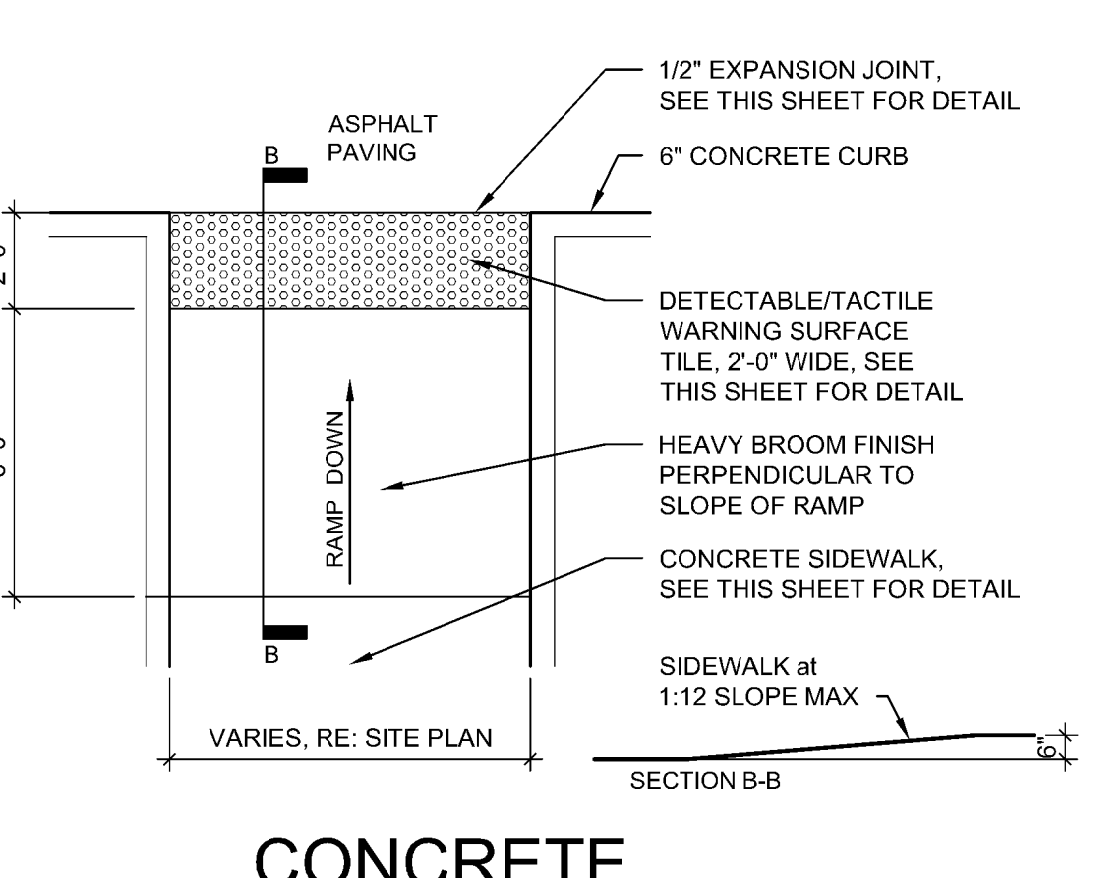
C2 SITE SIGNAGE 1/2" = 1'-0"



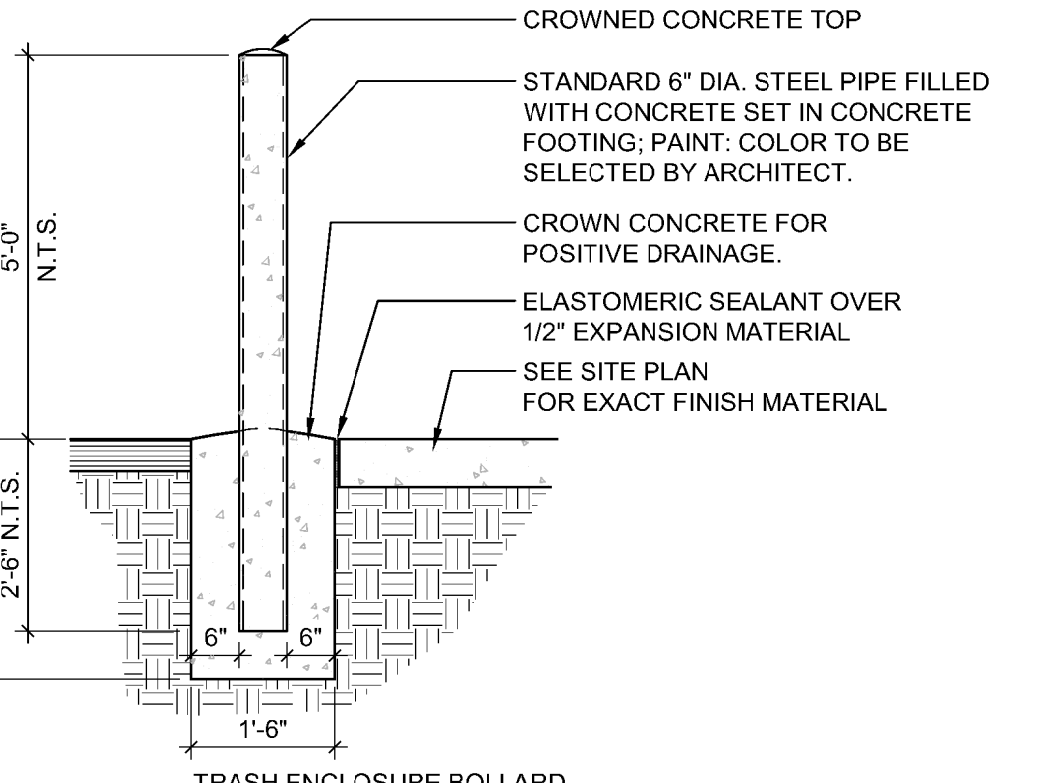
C3 POLE MOUNTED H.C. SIGN (VAN) 1/2" = 1'-0"



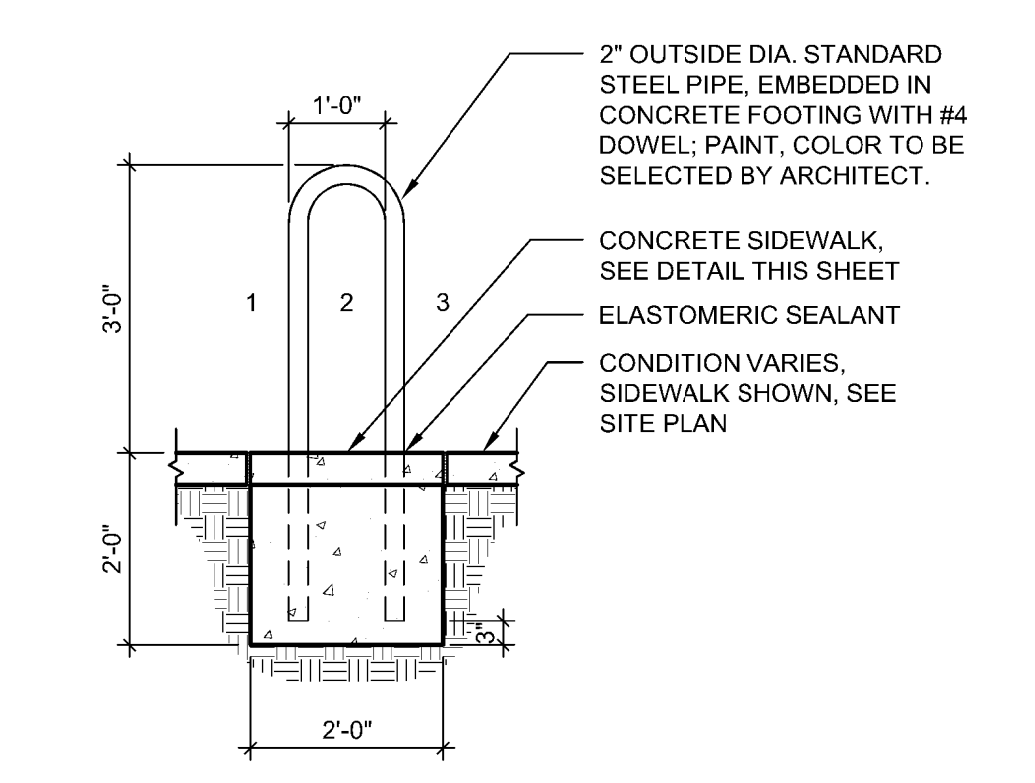
C4 POLE MOUNTED STOP SIGN 1/2" = 1'-0"



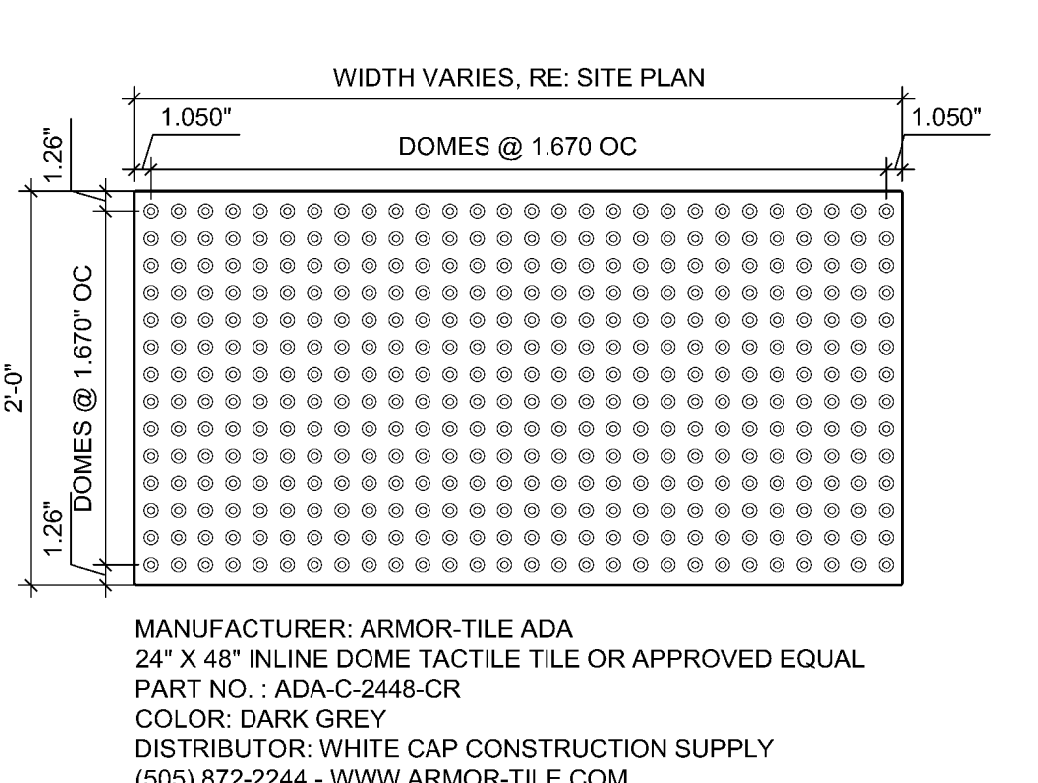
C5 CONCRETE ACCESSIBLE RAMP 1/4" = 1'-0"



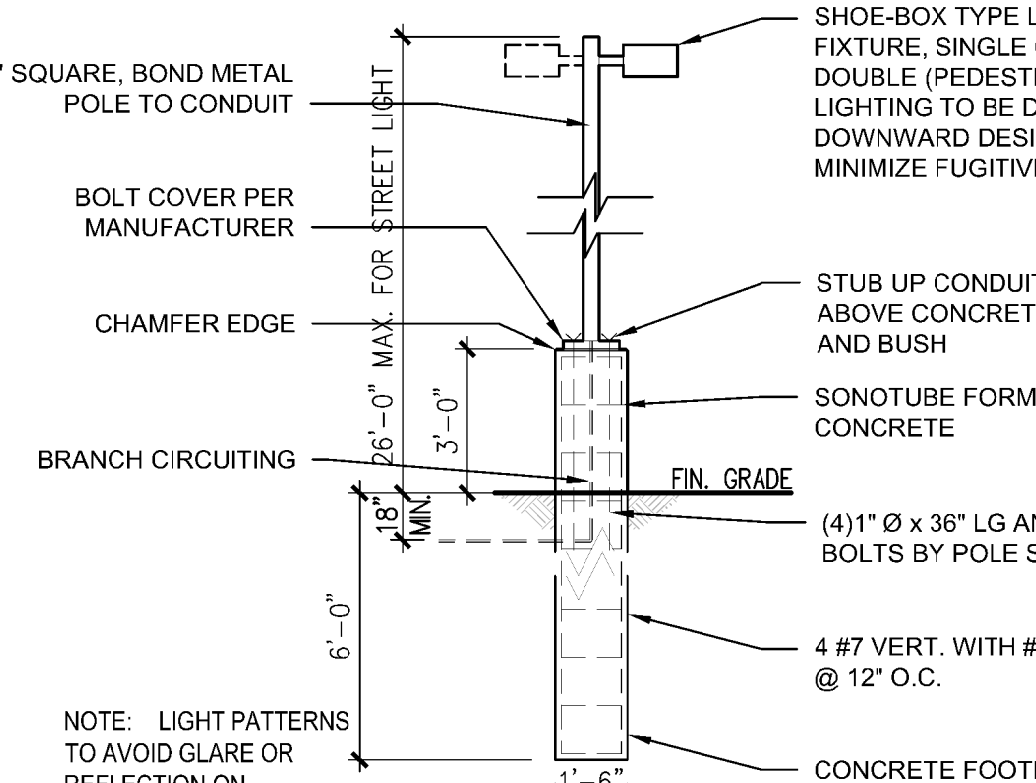
B1 TRASH ENCLOSURE BOLLARD - 6" 1/2" = 1'-0"



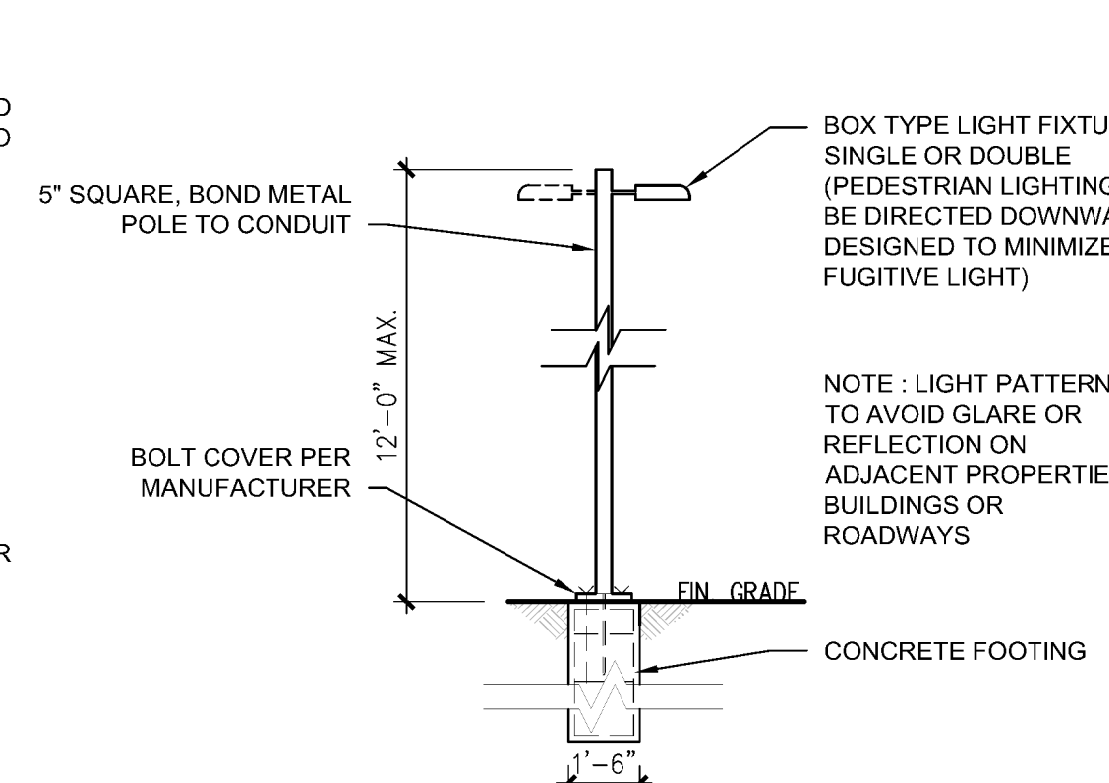
B2 BICYCLE RACK 1/2" = 1'-0"



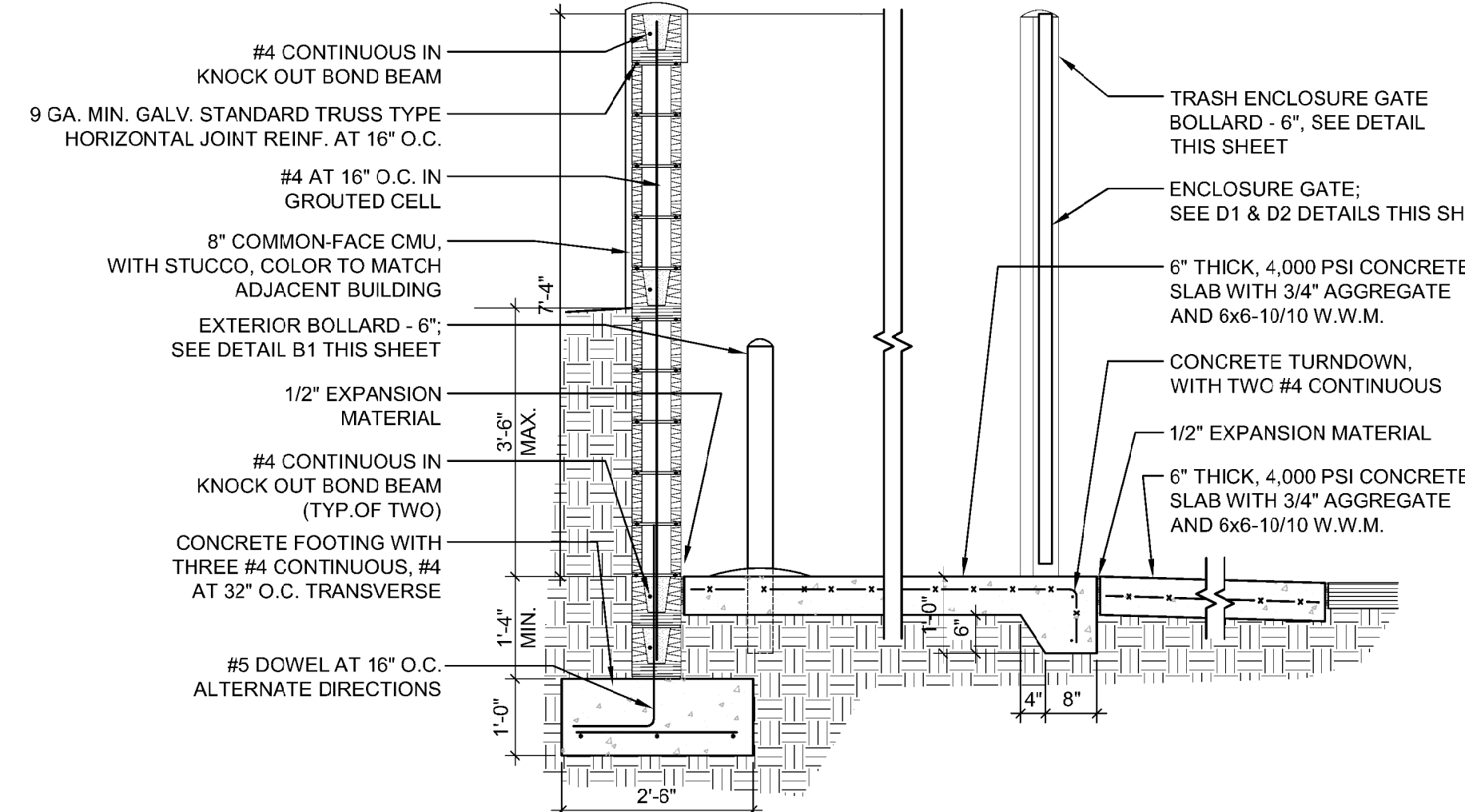
B3 DETECTABLE/TACTILE WARNING SURFACE TILE 1" = 1'-0"



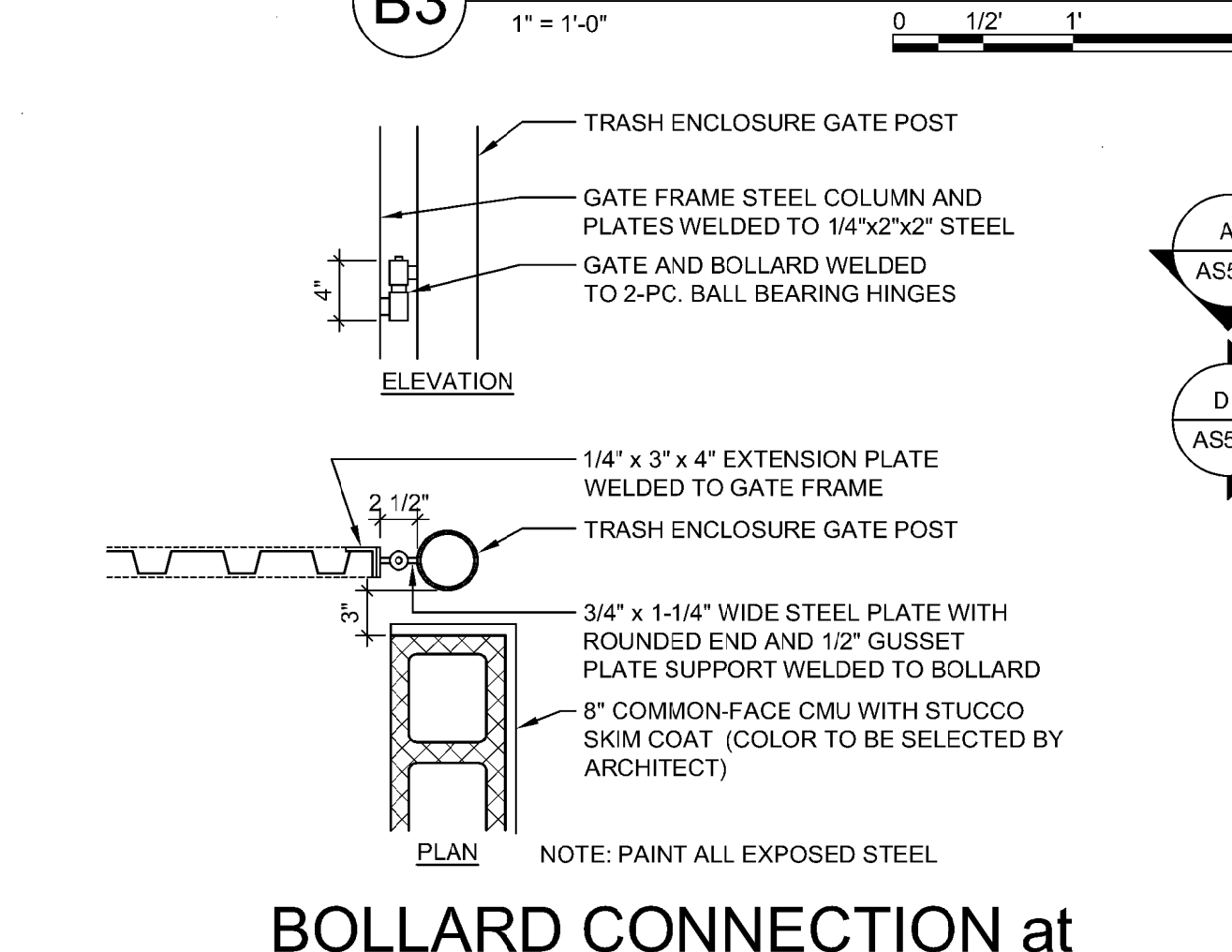
B4 SITE LIGHT POLE 1/4" = 1'-0"



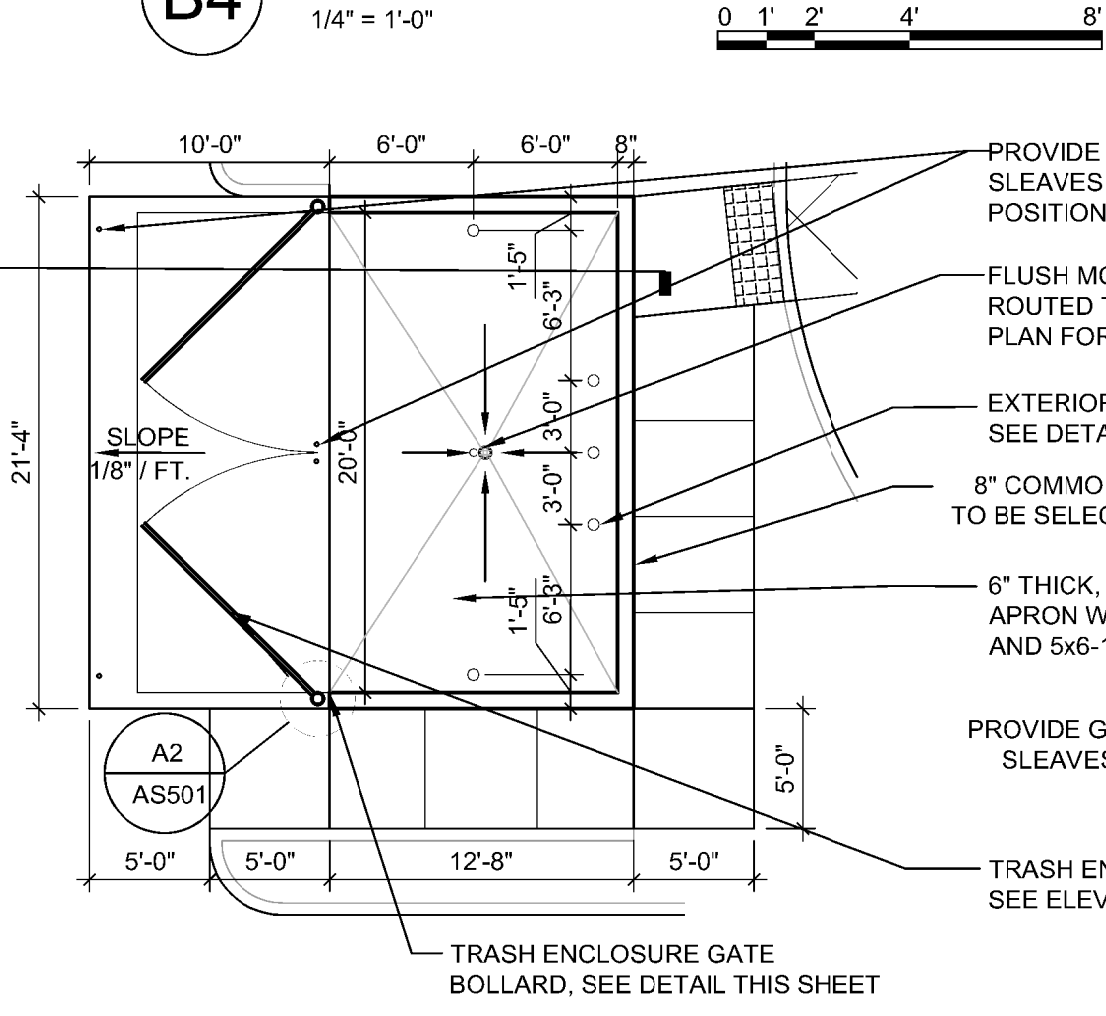
B5 PEDESTRIAN LIGHT POLE 1/4" = 1'-0"



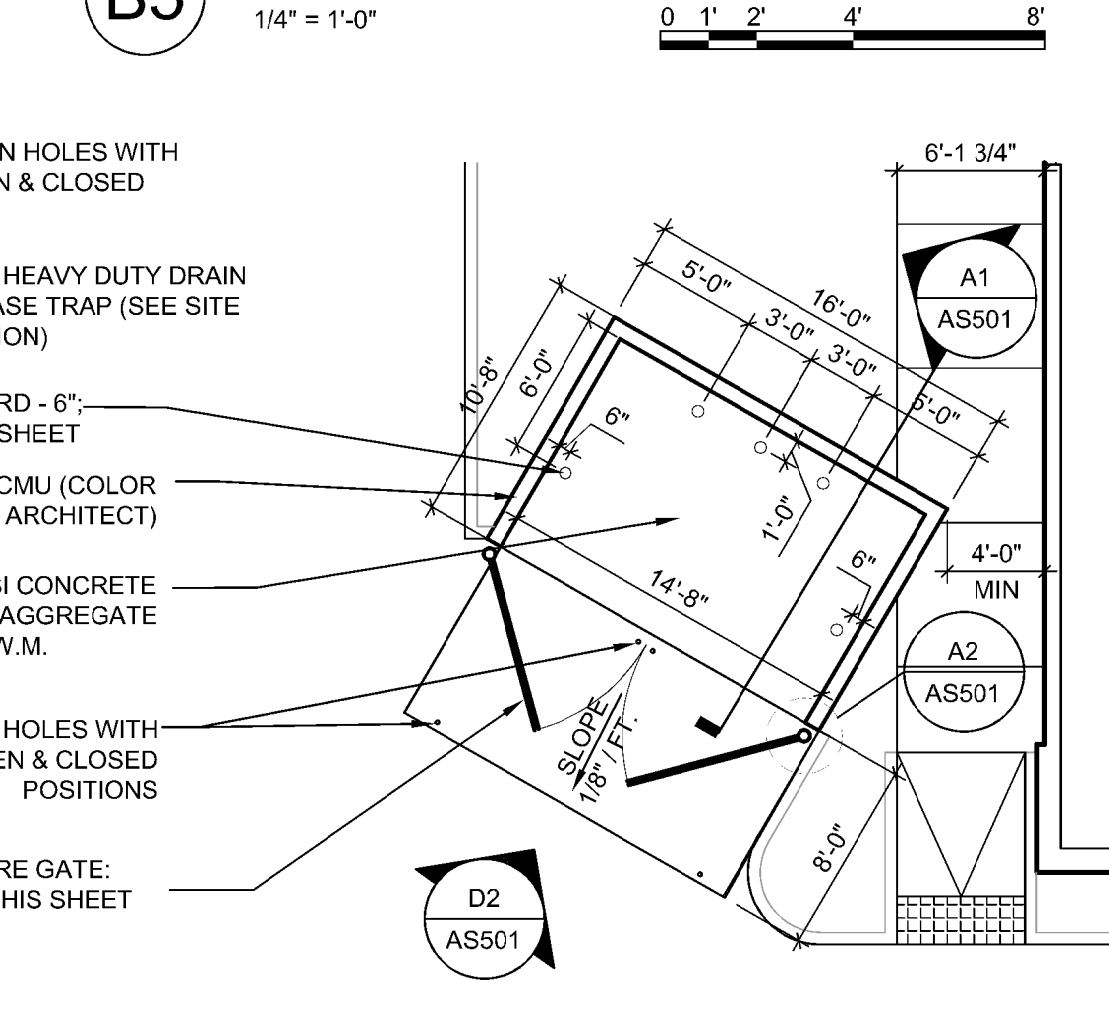
A1 TRASH ENCLOSURE CMU WALL and GATE 1/2" = 1'-0"



A2 BOLLARD CONNECTION at TRASH ENCLOSURE GATE 1" = 1'-0"



A4 TRASH ENCLOSURE 1/8" = 1'-0"



A5 TRASH ENCLOSURE 1/8" = 1'-0"