

### LANDSCAPE LEGEND

QTY	SIZE	CORONOBOTANICAL	100 USE
<b>Trees</b>			
2	2' cal	Chamaelirium 4605 025 1400 H	Platanus chinensis
3	2' cal	Hemlock 16040 2025 6475 H	Quercus macrocarpa
2	4'-8"	Aspen Pine 2625 625 1250 H	Picea nigra
10	9 Gal	Oldman Redbud 810 144 1440 H	Cercis reniformis
<b>Shrubs &amp; Groundcovers</b>			
1	9 Gal	India Hawthorne 140 25 225 H	Rhodaphysa indica
16	9 Gal	Feather Reed Grass 2362 4 32 H	Calamagrostis canadensis
3	9 Gal	Winged Burning Bush 26 25 75 H	Sambucus racemosa
2	9 Gal	Burfordii Bush 50 25 50 H	Burfordia
2	9 Gal	Burfordii Juniper 142 144 288 H	Juniperus squarrosa 'Burfordii'
2	9 Gal	Claytonia 30 9 30 H	Claytonia
2	9 Gal	Blue Star 30 9 30 H	Claytonia
2	9 Gal	Aspen Pine 441 44 441 L	Taxodium canadense
1	9 Gal	Osama 84 48 48 L	Opuntia
2	9 Gal	Canyon Rose 26 25 260 L	Rosa sp.
<b>1-1/2" Boulders</b>			
To be placed at contractor discretion			
<b>7/8" Sonto #8 Brown Landscape Gravel / Filter Fabric</b>			
Oversize Landscape Gravel / Filter Fabric 2"-4" Mountain Brown			

### LOT TWO LANDSCAPE CALCULATIONS

TOTAL LOT AREA (A1)	4828
TOTAL BUILDING AREA (A2)	30000
TOTAL LOT AREA (A3)	3028
LANDSCAPE REQUIREMENT	X 1.5
TOTAL LANDSCAPE REQUIRED (B1)	3382
TOTAL ON-SITE LANDSCAPE PROVIDED	1122
TOTAL LIVE GROUNDCOVER REQUIRED	2260
TOTAL LIVE GROUNDCOVER PROVIDED	2148
TOTAL LIVE PLANTS REQUIRED	576
TOTAL LIVE PLANTS PROVIDED	2000

### LANDSCAPE LEGEND

QTY	SIZE	CORONOBOTANICAL	100 USE
<b>Trees</b>			
2	2' cal	Chamaelirium 4605 025 1400 H	Platanus chinensis
1	2' cal	Hemlock 16040 2025 6475 H	Quercus macrocarpa
1	9 Gal	Osama 84 48 48 H	Opuntia
9	9 Gal	Oldman Redbud 810 144 1440 H	Cercis reniformis
<b>Shrubs &amp; Groundcovers</b>			
1	9 Gal	Osama 84 48 48 H	Opuntia
11	9 Gal	India Hawthorne 140 25 225 H	Rhodaphysa indica
29	9 Gal	Feather Reed Grass 2362 4 32 H	Calamagrostis canadensis
4	9 Gal	Winged Burning Bush 26 25 75 H	Sambucus racemosa
2	9 Gal	Burfordii Bush 50 25 50 H	Burfordia
2	9 Gal	Blue Star 30 9 30 H	Claytonia
2	9 Gal	Burfordii Juniper 142 144 288 H	Juniperus squarrosa 'Burfordii'
2	9 Gal	Claytonia 30 9 30 H	Claytonia
2	9 Gal	Blue Star 30 9 30 H	Claytonia
2	9 Gal	Aspen Pine 441 44 441 L	Taxodium canadense
1	9 Gal	Osama 84 48 48 L	Opuntia
2	9 Gal	Canyon Rose 26 25 260 L	Rosa sp.
<b>1-1/2" Boulders</b>			
To be placed at contractor discretion			
<b>7/8" Sonto #8 Brown Landscape Gravel / Filter Fabric</b>			
Oversize Landscape Gravel / Filter Fabric 2"-4" Mountain Brown			

### LOT ONE LANDSCAPE CALCULATIONS

TOTAL LOT AREA (A1)	3686
TOTAL BUILDING AREA (A2)	2200
TOTAL LOT AREA (A3)	3086
LANDSCAPE REQUIREMENT	X 1.5
TOTAL LANDSCAPE REQUIRED (B1)	4629
TOTAL ON-SITE LANDSCAPE PROVIDED	5413
TOTAL LIVE GROUNDCOVER REQUIRED	2942
TOTAL LIVE GROUNDCOVER PROVIDED	428
TOTAL LIVE PLANTS REQUIRED	109
TOTAL LIVE PLANTS PROVIDED	884

**LANDSCAPE NOTES:**  
Landscape maintenance shall be the responsibility of the Property Owner. The Property Owner shall maintain trees in a living, healthy, and stress-free condition.

It is the intent of this plan to comply with the City of Albuquerque's Planting Restrictions. Landscaping and tree maintenance shall be in accordance with the City of Albuquerque's Planting Restrictions. Approval of the plan shall be contingent on the Property Owner's compliance with the City of Albuquerque's Planting Restrictions. In general, water conservation and environmentally sound landscape principles will be followed in design and installation.

Plant beds shall achieve 50% live ground cover at maturity.

Landscape Gravel over Filter Fabric to a minimum depth of 2" shall be placed in all landscape areas which are not designated to receive native seed.

**IRRIGATION NOTES:**  
Irrigation shall be a complete underground system with trees to receive 1.5 inches of water per week. 1/2" drips shall be installed at 4' intervals along the tree trunk. 1/2" drips shall be installed at 12" intervals along the drip line. 1/2" drips shall be installed at 12" intervals along the drip line. 1/2" drips shall be installed at 12" intervals along the drip line. 1/2" drips shall be installed at 12" intervals along the drip line.

Run time per each strip drip valve will be approximately 9 minutes per day. The strip valve will be set to have 3 runs per week. Run time will be adjusted according to the season.

Point of connection for irrigation system is shown at current time and will be coordinated in the field. Irrigation will be operated by automatic controller.

Location of controller to be field determined and power source for controller to be provided by others.

Irrigation maintenance shall be the responsibility of the Property Owner.

Water and Power source shall be the responsibility of the Developer/Builder.

**LOT TWO LANDSCAPE CALCULATIONS**

TOTAL LOT AREA (A1) 4828  
 TOTAL BUILDING AREA (A2) 30000  
 TOTAL LOT AREA (A3) 3028  
 LANDSCAPE REQUIREMENT X 1.5  
 TOTAL LANDSCAPE REQUIRED (B1) 3382  
 TOTAL ON-SITE LANDSCAPE PROVIDED 1122  
 TOTAL LIVE GROUNDCOVER REQUIRED 2260  
 TOTAL LIVE GROUNDCOVER PROVIDED 2148  
 TOTAL LIVE PLANTS REQUIRED 576  
 TOTAL LIVE PLANTS PROVIDED 2000

**LANDSCAPE NOTES:**  
Landscape maintenance shall be the responsibility of the Property Owner. The Property Owner shall maintain trees in a living, healthy, and stress-free condition.

It is the intent of this plan to comply with the City of Albuquerque's Planting Restrictions. Landscaping and tree maintenance shall be in accordance with the City of Albuquerque's Planting Restrictions. Approval of the plan shall be contingent on the Property Owner's compliance with the City of Albuquerque's Planting Restrictions. In general, water conservation and environmentally sound landscape principles will be followed in design and installation.

Plant beds shall achieve 50% live ground cover at maturity.

Landscape Gravel over Filter Fabric to a minimum depth of 2" shall be placed in all landscape areas which are not designated to receive native seed.

**IRRIGATION NOTES:**  
Irrigation shall be a complete underground system with trees to receive 1.5 inches of water per week. 1/2" drips shall be installed at 4' intervals along the tree trunk. 1/2" drips shall be installed at 12" intervals along the drip line. 1/2" drips shall be installed at 12" intervals along the drip line. 1/2" drips shall be installed at 12" intervals along the drip line. 1/2" drips shall be installed at 12" intervals along the drip line.

Run time per each strip drip valve will be approximately 9 minutes per day. The strip valve will be set to have 3 runs per week. Run time will be adjusted according to the season.

Point of connection for irrigation system is shown at current time and will be coordinated in the field. Irrigation will be operated by automatic controller.

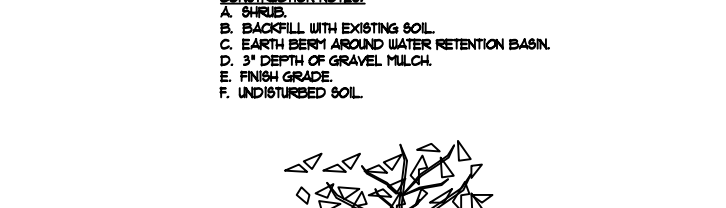
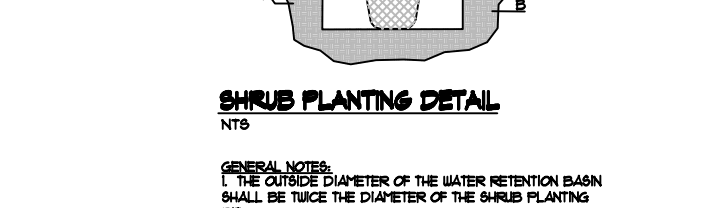
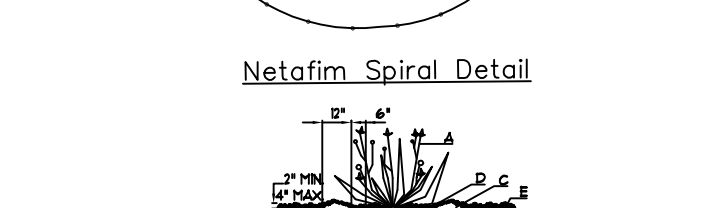
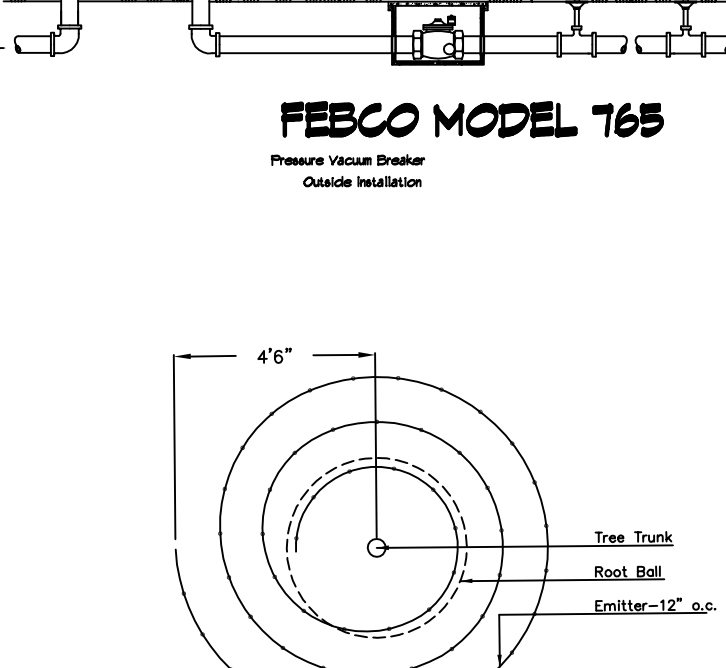
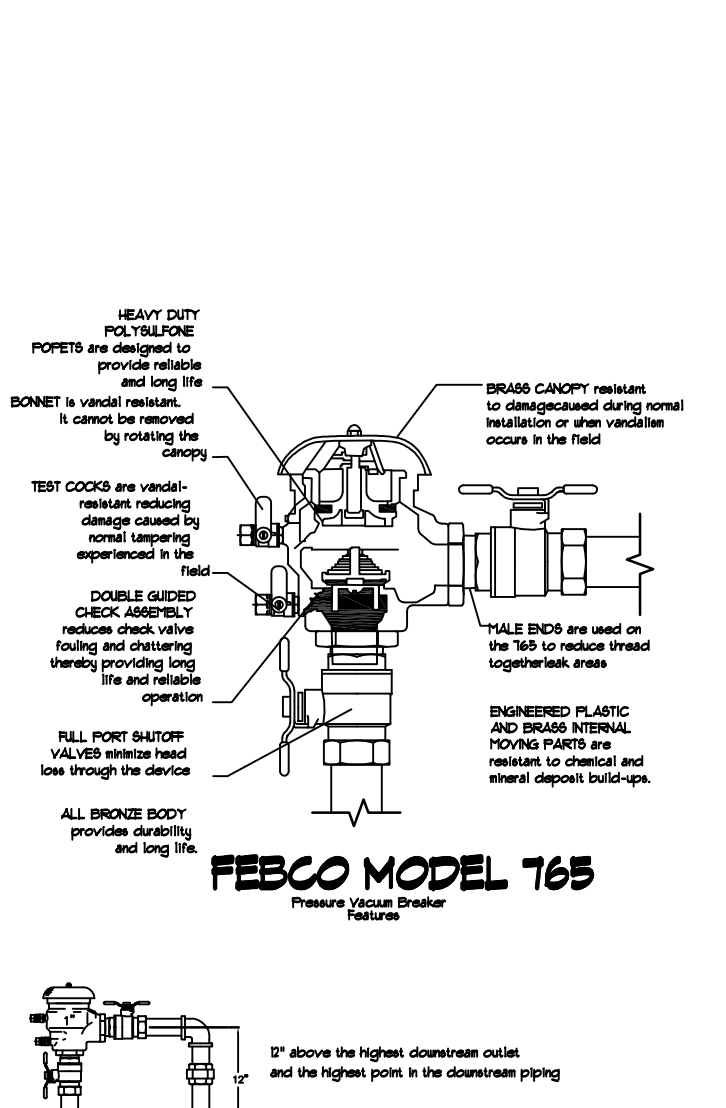
Location of controller to be field determined and power source for controller to be provided by others.

Irrigation maintenance shall be the responsibility of the Property Owner.

Water and Power source shall be the responsibility of the Developer/Builder.

**LOT ONE LANDSCAPE CALCULATIONS**

TOTAL LOT AREA (A1) 3686  
 TOTAL BUILDING AREA (A2) 2200  
 TOTAL LOT AREA (A3) 3086  
 LANDSCAPE REQUIREMENT X 1.5  
 TOTAL LANDSCAPE REQUIRED (B1) 4629  
 TOTAL ON-SITE LANDSCAPE PROVIDED 5413  
 TOTAL LIVE GROUNDCOVER REQUIRED 2942  
 TOTAL LIVE GROUNDCOVER PROVIDED 428  
 TOTAL LIVE PLANTS REQUIRED 109  
 TOTAL LIVE PLANTS PROVIDED 884



**GENERAL NOTES:**  
1. THE DRAINAGE DIAMETER OF THE WATER RETENTION BASIN SHALL BE THE DIAMETER OF THE BASKET PLANTING PIT.  
2. BACKFILL WITH EXISTING SOIL.  
3. EARTH BERRY AND/OR WATER RETENTION BASIN.  
4. 3" DEPTH OF GRAVEL FILTER.  
5. FINE GRADE.  
6. UNDISTURBED SOIL.

**CONSTRUCTION NOTES:**  
1. THE DRAINAGE DIAMETER OF THE WATER RETENTION BASIN SHALL BE THE DIAMETER OF THE BASKET PLANTING PIT.  
2. BACKFILL WITH EXISTING SOIL.  
3. EARTH BERRY AND/OR WATER RETENTION BASIN.  
4. 3" DEPTH OF GRAVEL FILTER.  
5. FINE GRADE.  
6. UNDISTURBED SOIL.

**CONSTRUCTION NOTES:**  
1. THE DRAINAGE DIAMETER OF THE WATER RETENTION BASIN SHALL BE THE DIAMETER OF THE BASKET PLANTING PIT.  
2. BACKFILL WITH EXISTING SOIL.  
3. EARTH BERRY AND/OR WATER RETENTION BASIN.  
4. 3" DEPTH OF GRAVEL FILTER.  
5. FINE GRADE.  
6. UNDISTURBED SOIL.

**LANDSCAPE ARCHITECT**

STATE OF NEW MEXICO  
 DANNY D. MITCHELL  
 239  
 REGISTERED  
 LANDSCAPE ARCHITECT  
 January 17, 2018

Independence Square  
 Jefferson St. NE  
 Albuquerque, NM

LANDSCAPE PLAN

The design contained herein remains the property of The Hilltop Landscape Architects and is provided by copyright. It is to be used only for the project for which it was prepared and is not to be reproduced, stored in a retrieval system, or transmitted in any form or by any means, electronic, mechanical, photocopying, recording, or by any information storage and retrieval system, without the prior written permission of The Hilltop Landscape Architects and Contractors.

**The Hilltop**  
 LANDSCAPE ARCHITECTS & CONTRACTORS

DRAWN BY: dm  
 REVISION: 10/21/2017  
 DATE: 1/17/2018

GRAPHIC SCALE  
 40 20 0 20 40  
 SCALE: 1" = 40'-0"

SHEET \*  
 LS-101

The Hilltop  
 1929 Edith NE  
 Albuquerque, NM 87113  
 Cont. Lic. #16-453  
 Ph: (505) 898-9690  
 Fax: (505) 898-1131  
 danny@hilltoplandscape.com