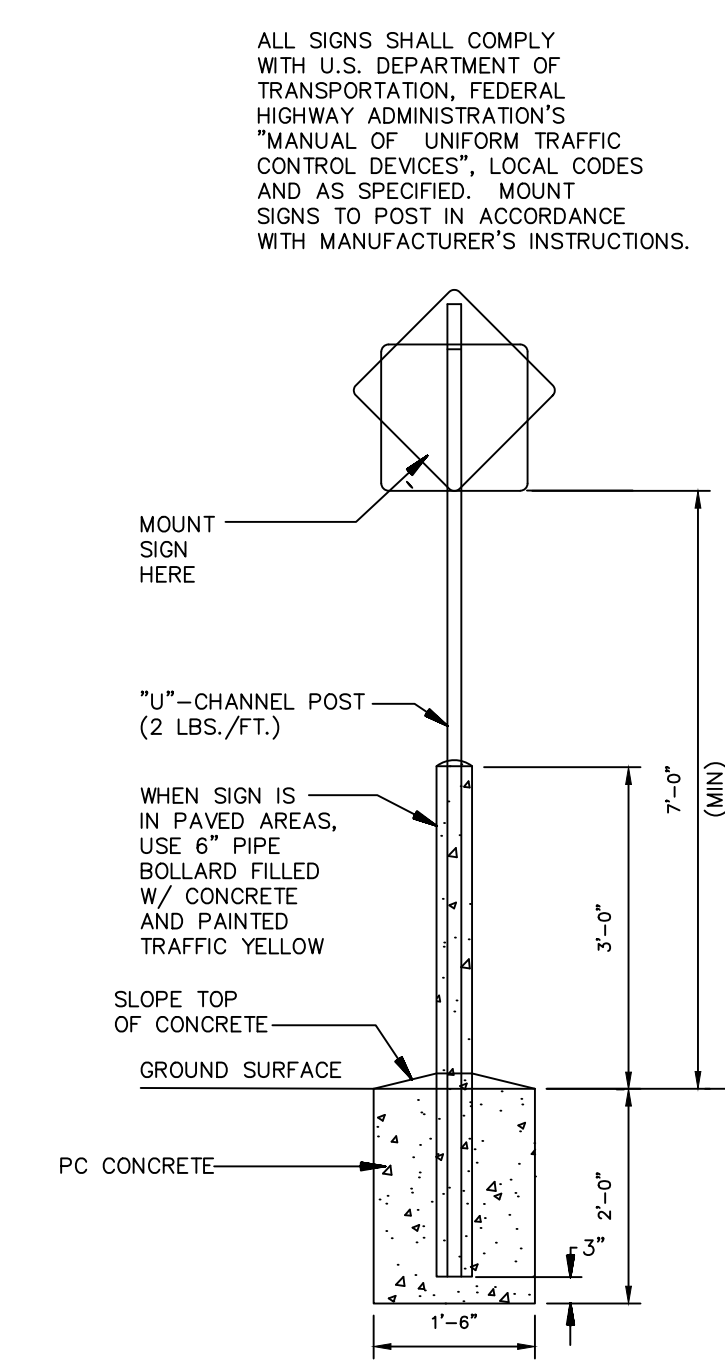
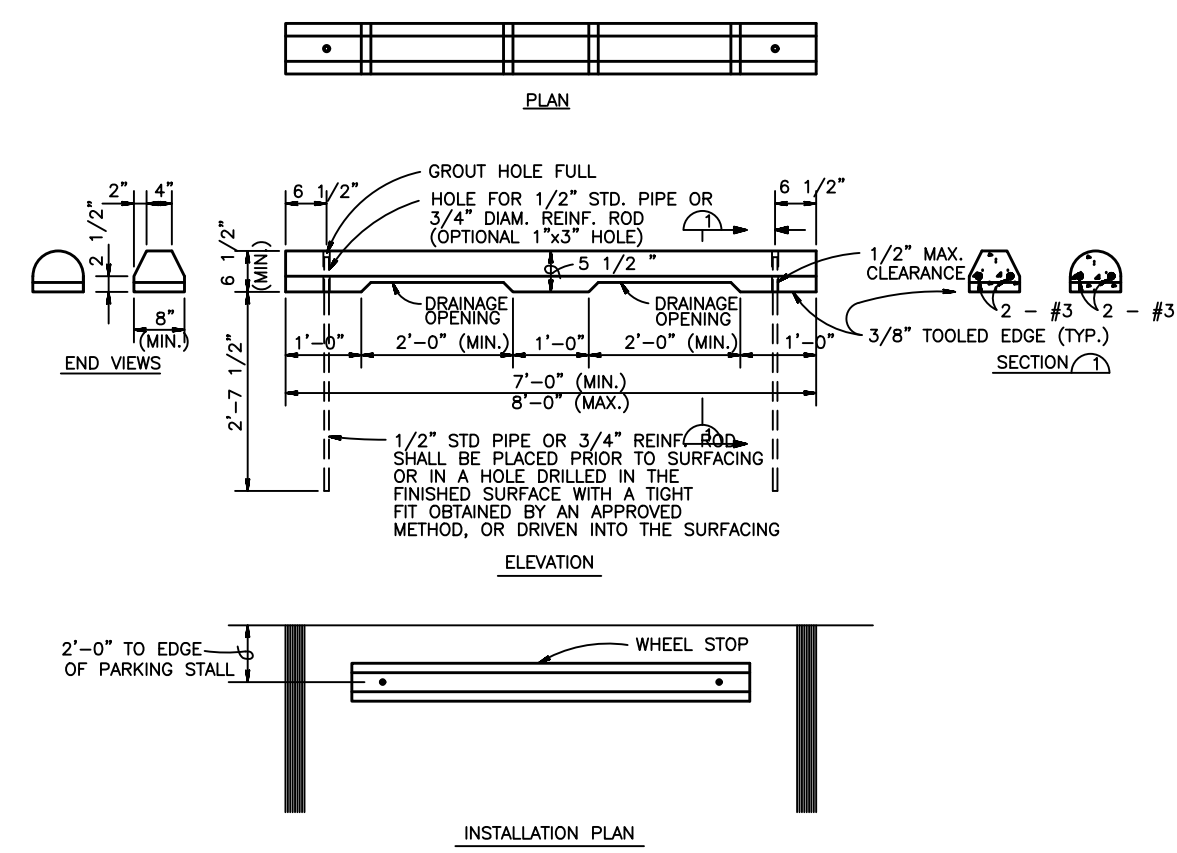


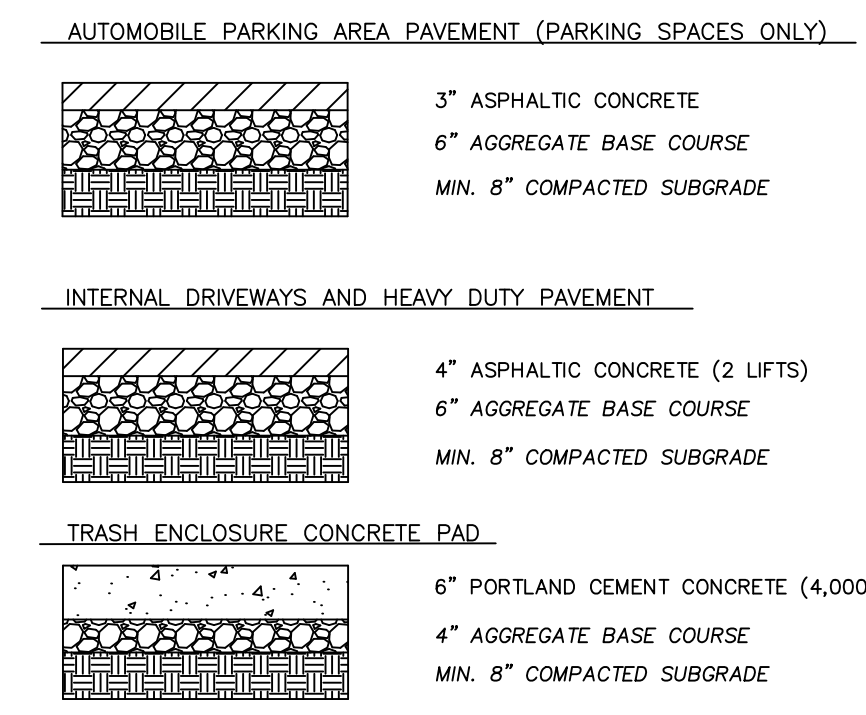
H/C Sign Detail
NTS



Standard Sign Base
NTS

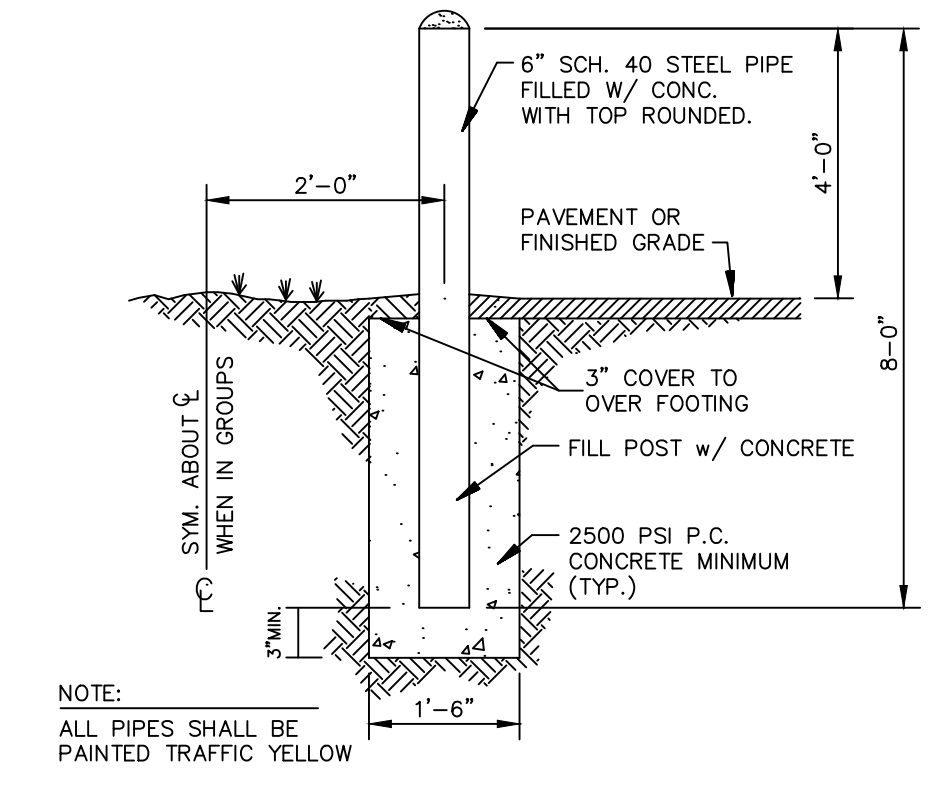


Precast Concrete Wheel Stop
NTS

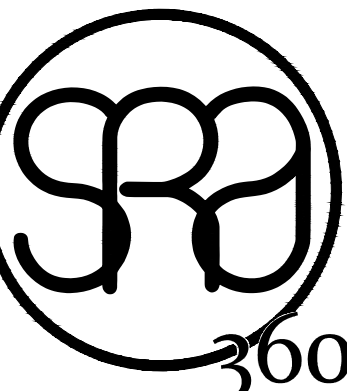


NOTE: REFERENCE GEOTECHNICAL REPORT BY GEO-TEST DATED 5/19/2016 FOR ADDITIONAL DETAILS AND SPECIFICATIONS OF PAVEMENT. ASPHALT PAVEMENT, AGGREGATE BASE COURSE, AND SUBGRADE SHALL BE INSTALLED PER NMDOT SPECIFICATIONS.

Pavement Sections



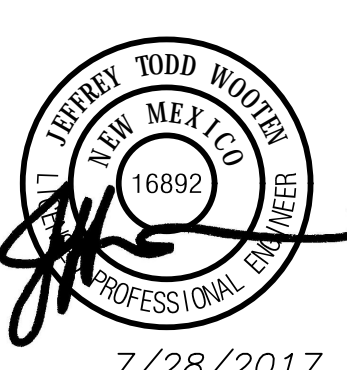
Pipe Bollard Detail
NTS



Stewart + Reindersma
architecture, PLLC
5450 E. High Street, Suite 200
Phoenix, Arizona 85054
P: 480.515.5123
www.sra360.com

Christian Brothers
Automotive
8001 Ventura St. NE
Albuquerque, NM 87109

Christian Brothers
Automotive
17725 Katy Freeway, St. 200
Houston, TX 77084



Date: 7/28/2017

Revisions

04/25/17 - EPC Site Plan

07/28/17 - Permit Set

Project No. 2016045

Drawn By: J Wooten

Date: 7/28/17

Sheet Title:
SITE DETAILS

Drawing No.

C3.1

9LHN-CBAC-1216-01

W E Wooten Engineering
1005 21st St SE, Suite 13
Rio Rancho, N.M. 87124
Phone: (505) 980-3560