

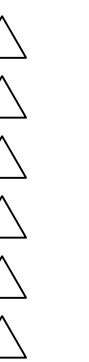
SEAL

PROJECT

UPTOWN SHOPS
ALBUQUERQUE, NM

URT REVIEW

REVISIONS



DRAWN BY	LI, AC
REVIEWED BY	CG
DATE	11/19/2015
PROJECT NO	15-0102

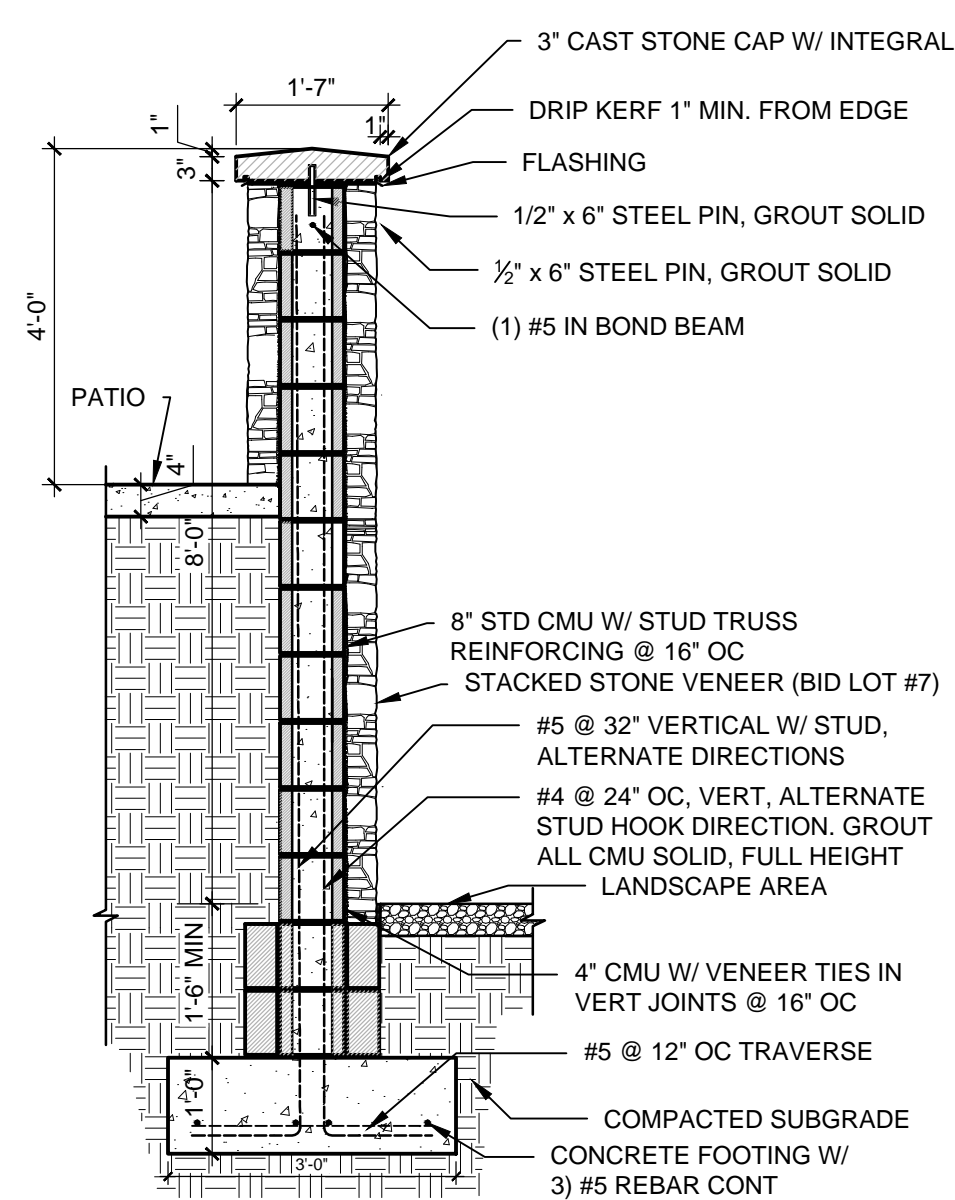
DRAWING NAME

**SITE
DETAILS**

SHEET NO

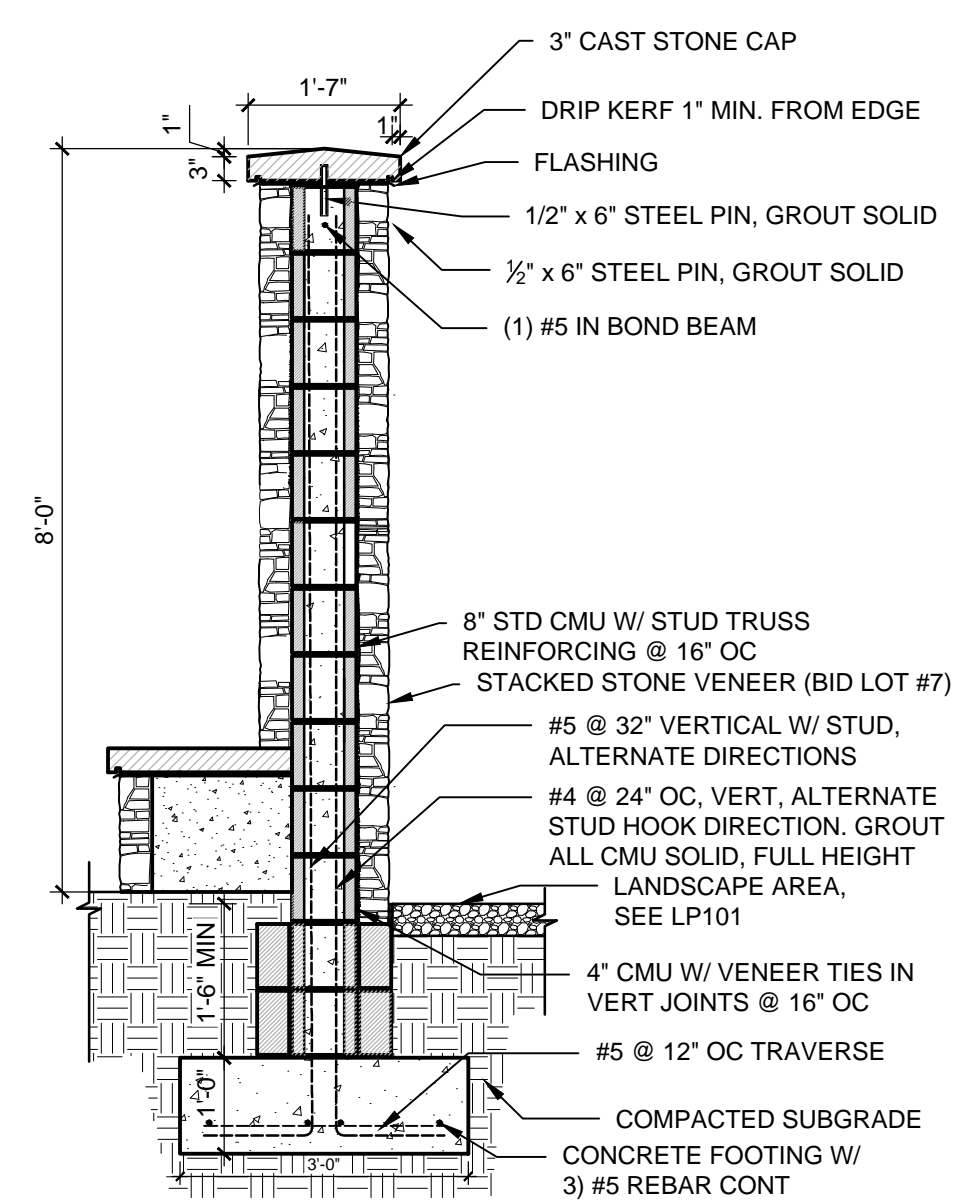
03 OF 11

NOTE:
1. SUBMIT SHOP DRAWINGS FOR CAST STONE CAPS

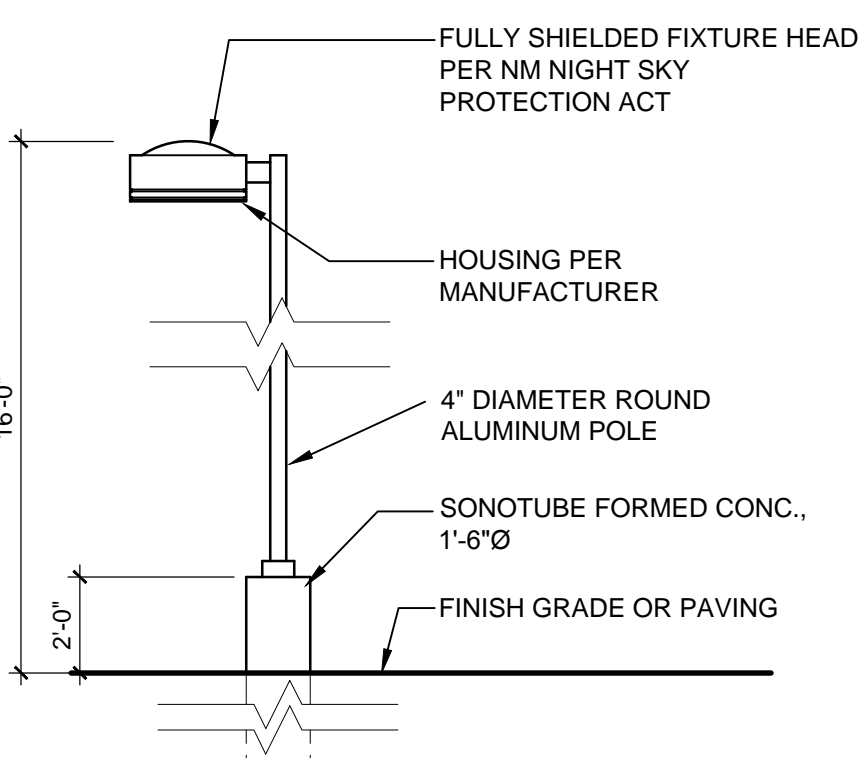


A1 STONE WALL WITH CAP
1/2" = 1'-0"

NOTE:
1. SUBMIT SHOP DRAWINGS FOR CAST STONE CAPS



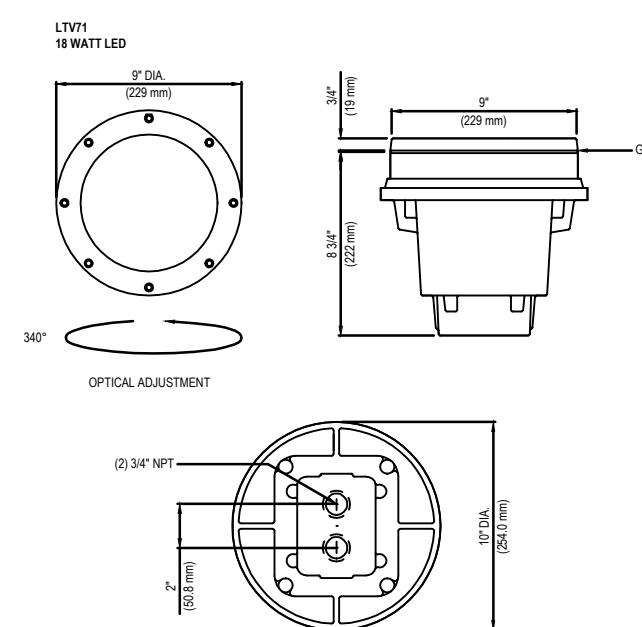
A2 STONE WALL WITH SEATWALL
1/2" = 1'-0"



A3 LIGHT POLE ELEVATION
1/4" = 1'-0"



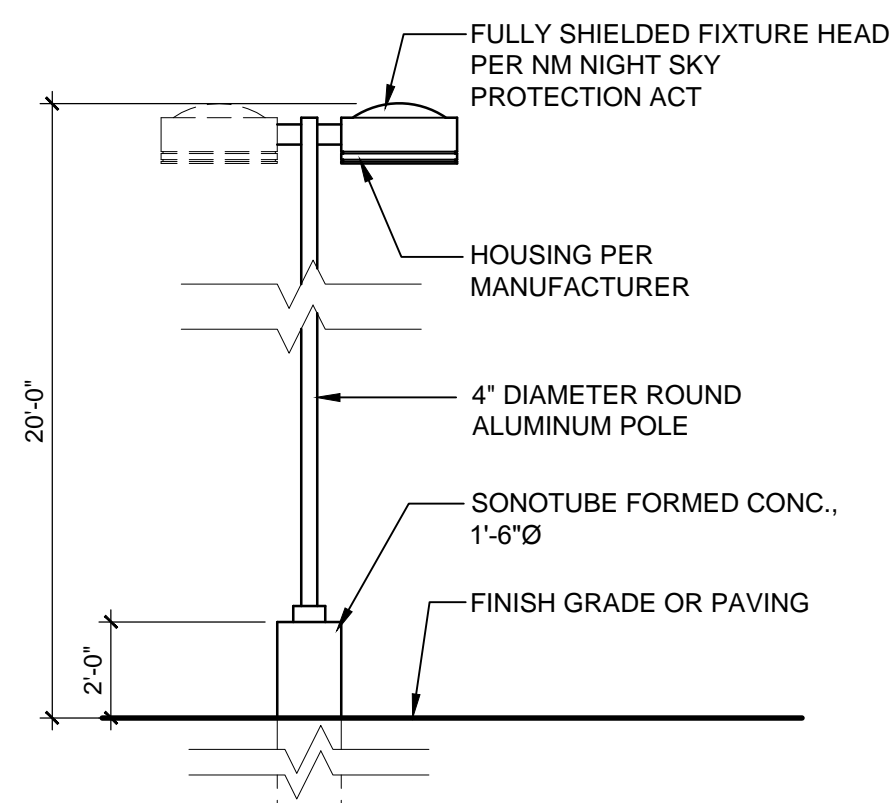
KIM LIGHTING
P.O. BOX 6080
CITY OF INDUSTRY, CA 91745-1788
1-822-885-9999
www.kimlighting.com



NOTES:
1. INSTALLATION TO BE COMPLETED IN ACCORDANCE WITH MANUFACTURER'S SPECIFICATIONS.
2. DON'T SCALE DRAWINGS.
3. CONTRACTOR NOTE FOR PRODUCT AND COMPANY INFORMATION VISIT www.kimlighting.com
REFERENCE NUMBER: KS-113

COA NOTE: WATTAGE WILL NOT EXCEED 75 WATTS TO COMPLY WITH NEW MEXICO NIGHT SKY ORDINANCE

B4 LANDSCAPE UPLIGHT
NO SCALE



A4 LIGHT POLE ELEVATION
1/4" = 1'-0"