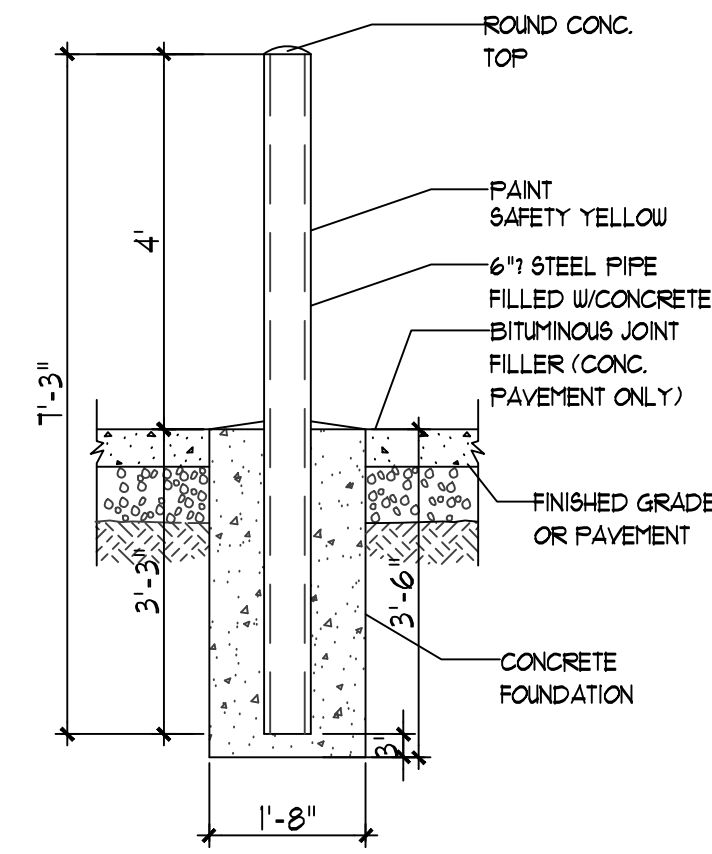
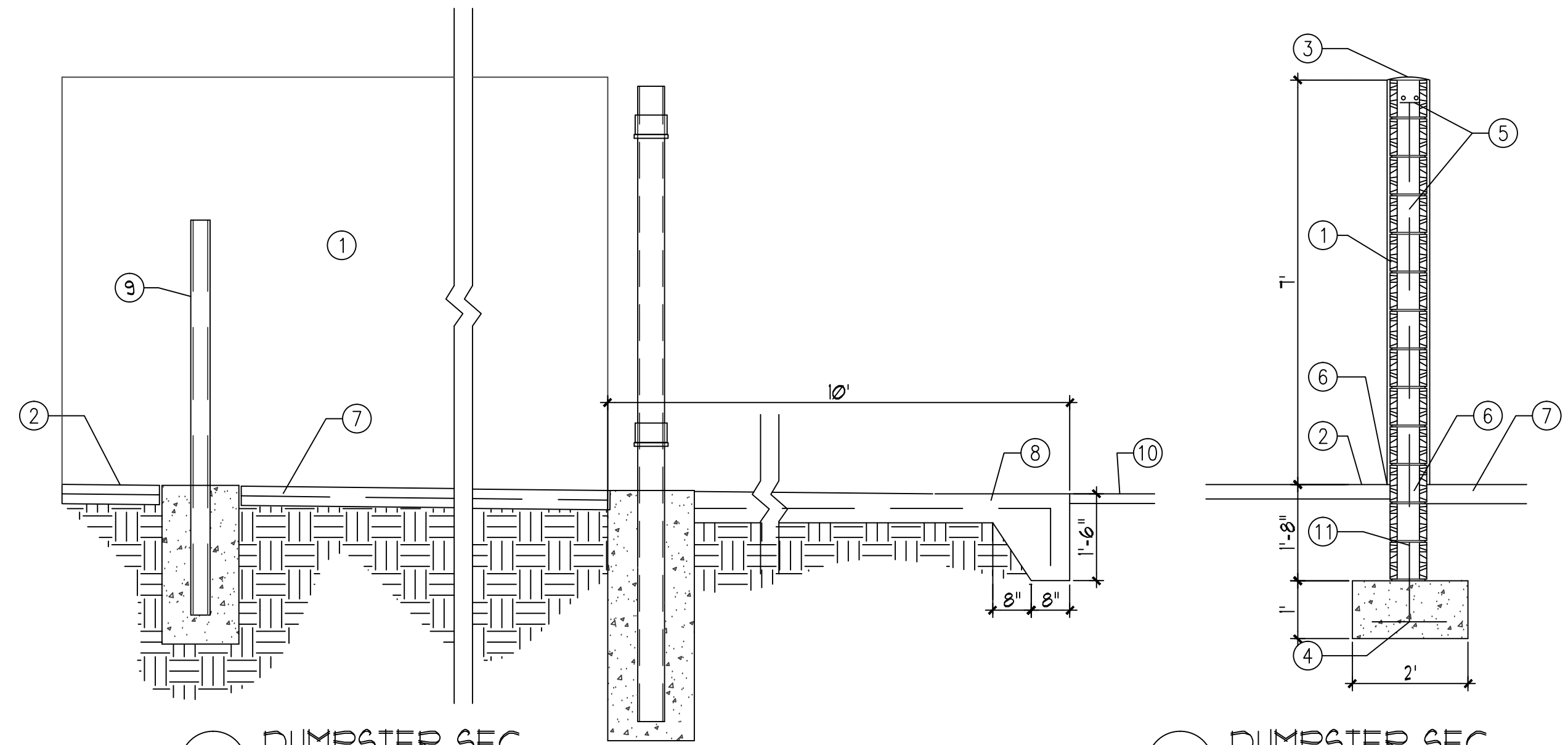


12 RETAINING GARDEN WALL DETAIL  
NT5

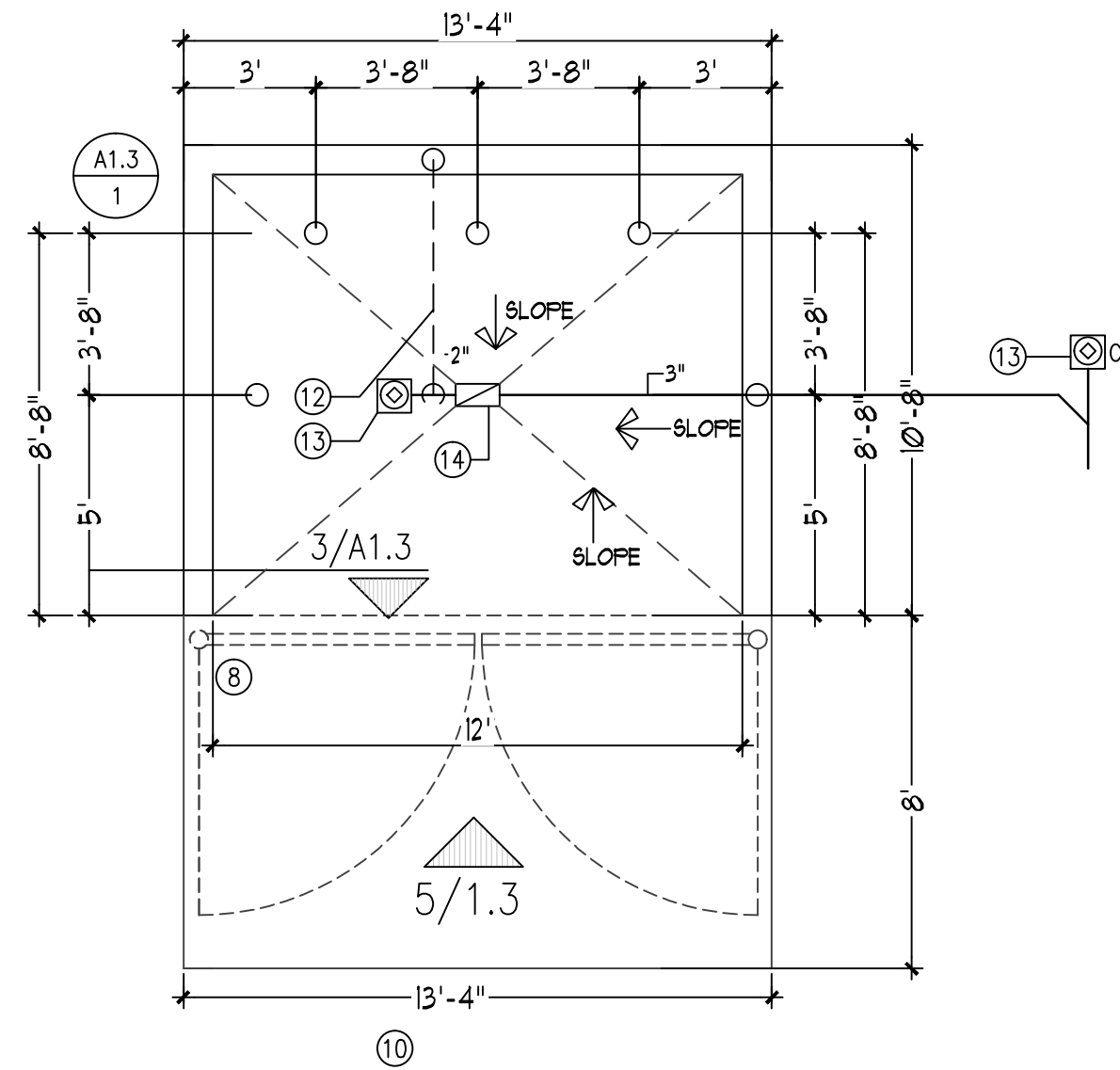


1 BOLLARD DETAIL  
NT5

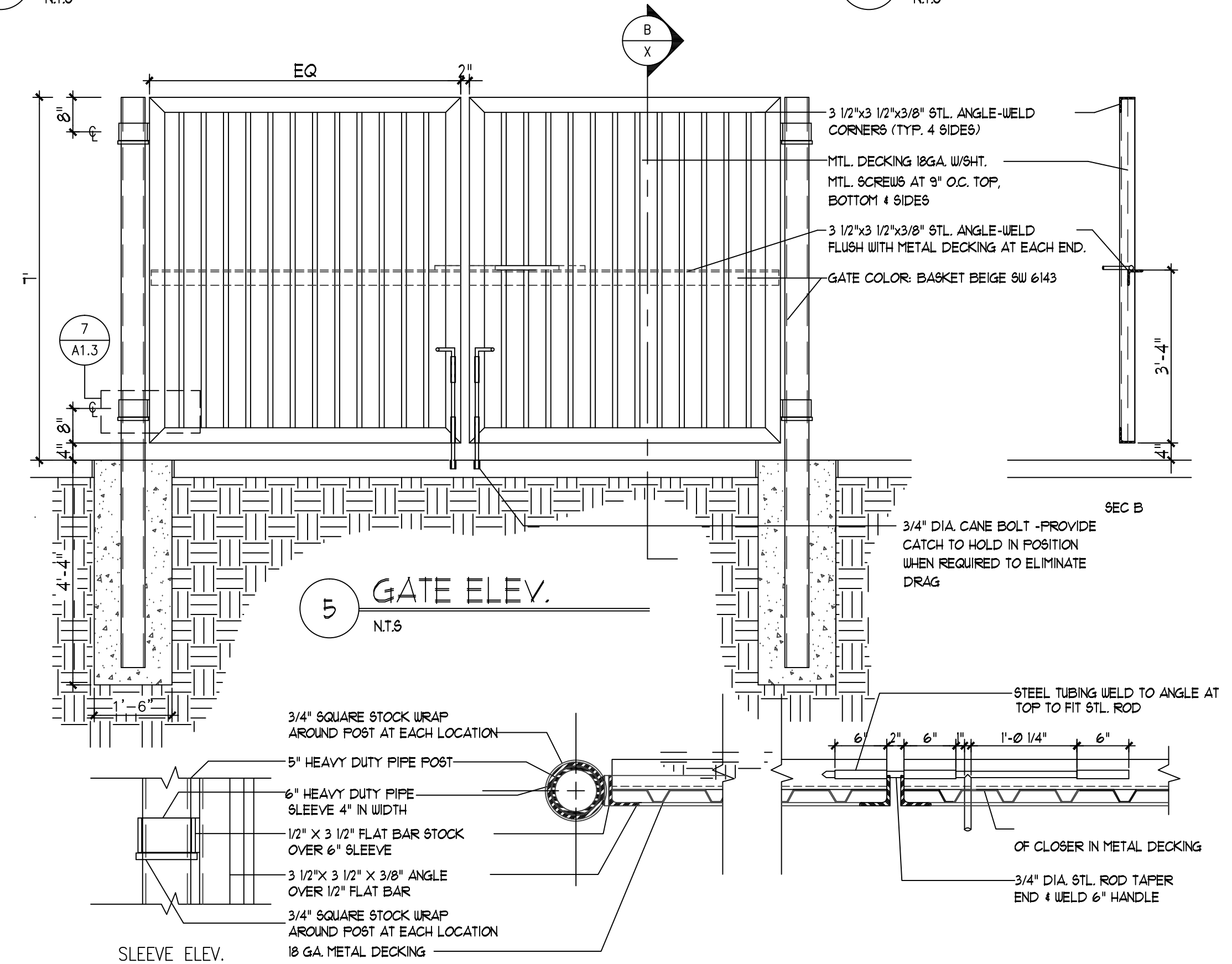


2 DUMPSTER SEC.  
NT5

3 DUMPSTER SEC.  
NT5

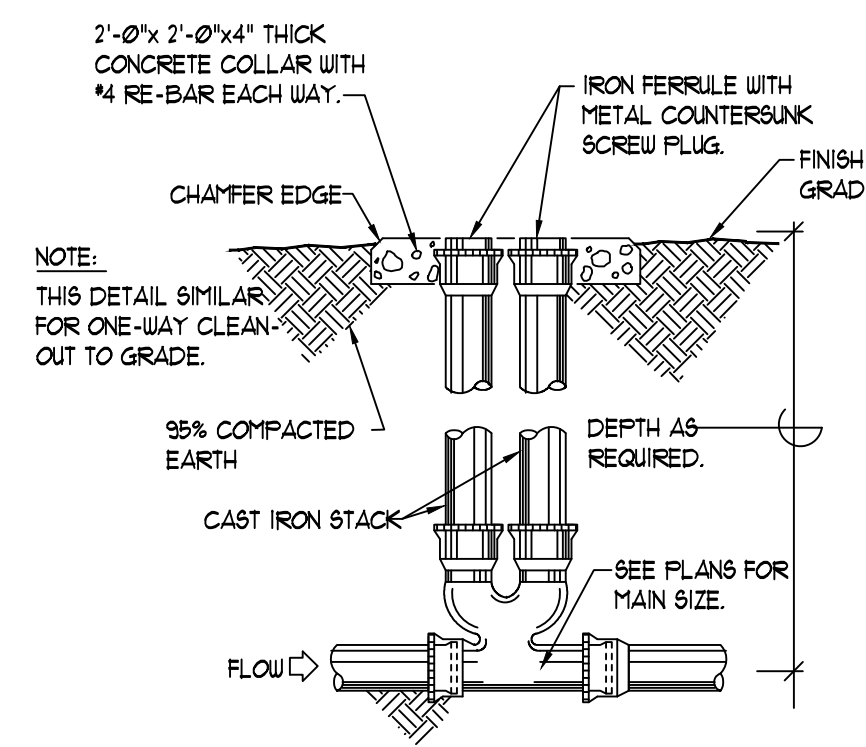


4 DUMPSTER PLAN  
NT5

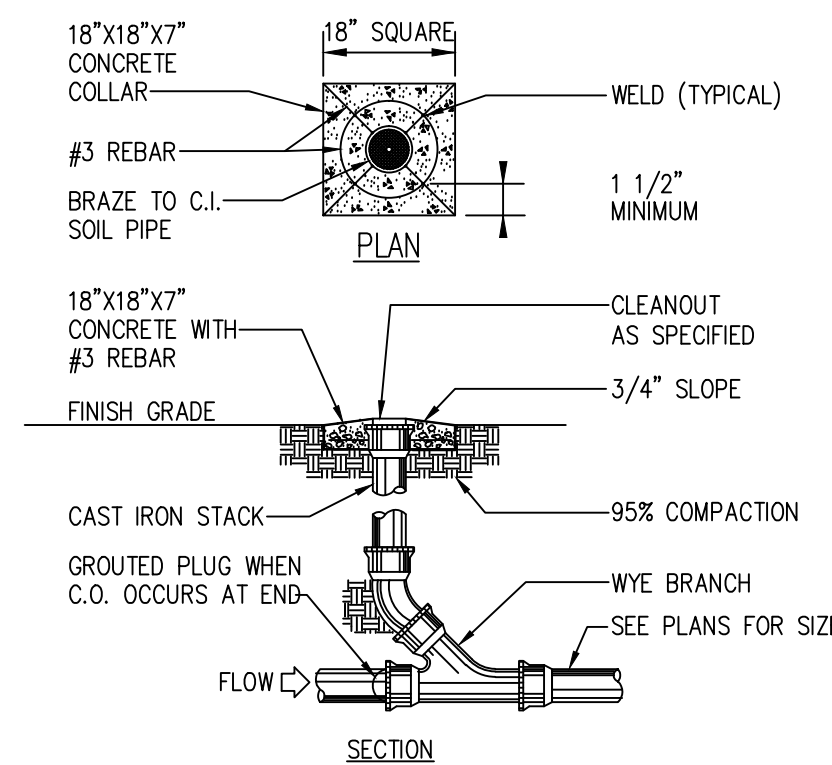


5 GATE ELEV.  
NT5

7 GATE POST/SLIDE BOLT DETAIL  
NT5



8A 2 WAY CLEANOUT DETAIL  
NT5




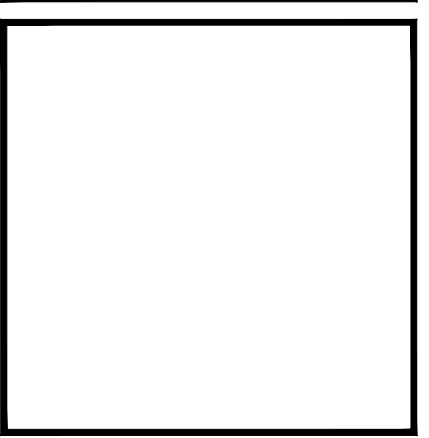
8 CLEANOUT DETAIL  
NT5

- KEYED NOTES
- 1 8" CMU WALL WITH 3 COAT SYN. STUCCO SYSTEM. COLOR: BASKET BEIGE SW 6143
  - 2 FINISH GRADE.
  - 3 SLOPE STUCCO CAP.
  - 4 4-#4 BARS CONT. # BOTTOM OF FOOTING #4 @ 16" O.C. ACROSS BOTTOM OF FOOTING.
  - 5 2-#5 BARS # TOP KNOCK-OUT BLOCK BOND BEAM, CONTINUOUS. #5 BARS @ 32" O.C. VERTICAL. GROUT REINFORCED CELLS, DURAWALL #16" O.C. HORIZONTAL.
  - 6 1/2" EXPANSION JOINT MATERIAL
  - 7 4" CONCRETE SLAB 4000 PSI 3/4" AGGREGATE WITH 6x6 - 10x10 WJM
  - 8 6" CONCRETE APRON 4000 PSI 3/4" AGGREGATE WITH 6x6 - 10x10 WJM W/ TURNDOWN EDGE.
  - 9 6" CONCRETE FILLED PIPE IN 1/2" DIA. X 2'-6" DEEP CONC. FOOTING. PAINT TO MATCH STUCCO FINISH.
  - 10 ASPHALT PAVING
  - 11 GROUT ALL CELLS SOLID BELOW GRADE, TYPICAL.
  - 12 2" VENT TO 6" ABOVE TOP OF ENCLOSURE WALL. PROVIDE BREATHABLE VENT CAP CLEAN OUT RE. DET 8/SD3 FOR INFO
  - 13 CATCH BASIN ZURN Z-891 6" X 20" SANI-FLO CATCH BASIN. FABRICATED #6 GAGE TYPE 304 STAINLESS STEEL. BASIN WITH BOLTED FLANGED CONNECTION COMPLETE WITH FLANGE GASKET. PROVIDE SPECIAL DUTY CLASS 15 Z-882-DGE DUCTILE IRON SLOTTED GRATE, AND SEDIMENT BASKET.
  - 14
  - 15 GREASE INTERCEPTOR ZURN ITOE 600 (RE: DETAIL 9/SD3) 25 GPM FLOW RATE, 50 LB CAPACITY. WITH INTERNAL AIR RELIEF BYPASS, BRONZE CLEANOUT FLUG. VISIBLE DOUBLE WALL TRAP SEAL WITH REMOVABLE DIFFUSING Baffle AND SEDIMENT TRAY. FURNISH WITH Z-108 VENTED FLOW CONTROL VALVE (17) AND Z-1102E SOLIDS INTERCEPTOR (NOTE 15). DET. 10/SD3 LOCATED PER DETAIL 4/SD3

1 ENCLOSURE NOTES  
NT5

REV	DATE	BY	REVISION
1			
2			
3			
4			
5			

**MODULUS ARCHITECTS**  
 100 SUN AVE. N.W. SUITE 305  
 ALBUQUERQUE, NEW MEXICO 87109  
 PHONE (505) 338-1499 FAX (505) 338-1498

PROJECT TITLE	COOL SPRINGZ SAN MATEO BLVD NE ALBUQUERQUE	DRAWN BY	5-MAN
PROJECT MANAGER	STEPHEN DUNBAR, AIA	JOB NO.	COOL-SPRINGZ
SHEET TITLE	SITE DETAILS		

DATE:	4/13/2017	Sheet:	A13
SCALE:		REBAR SCALE	