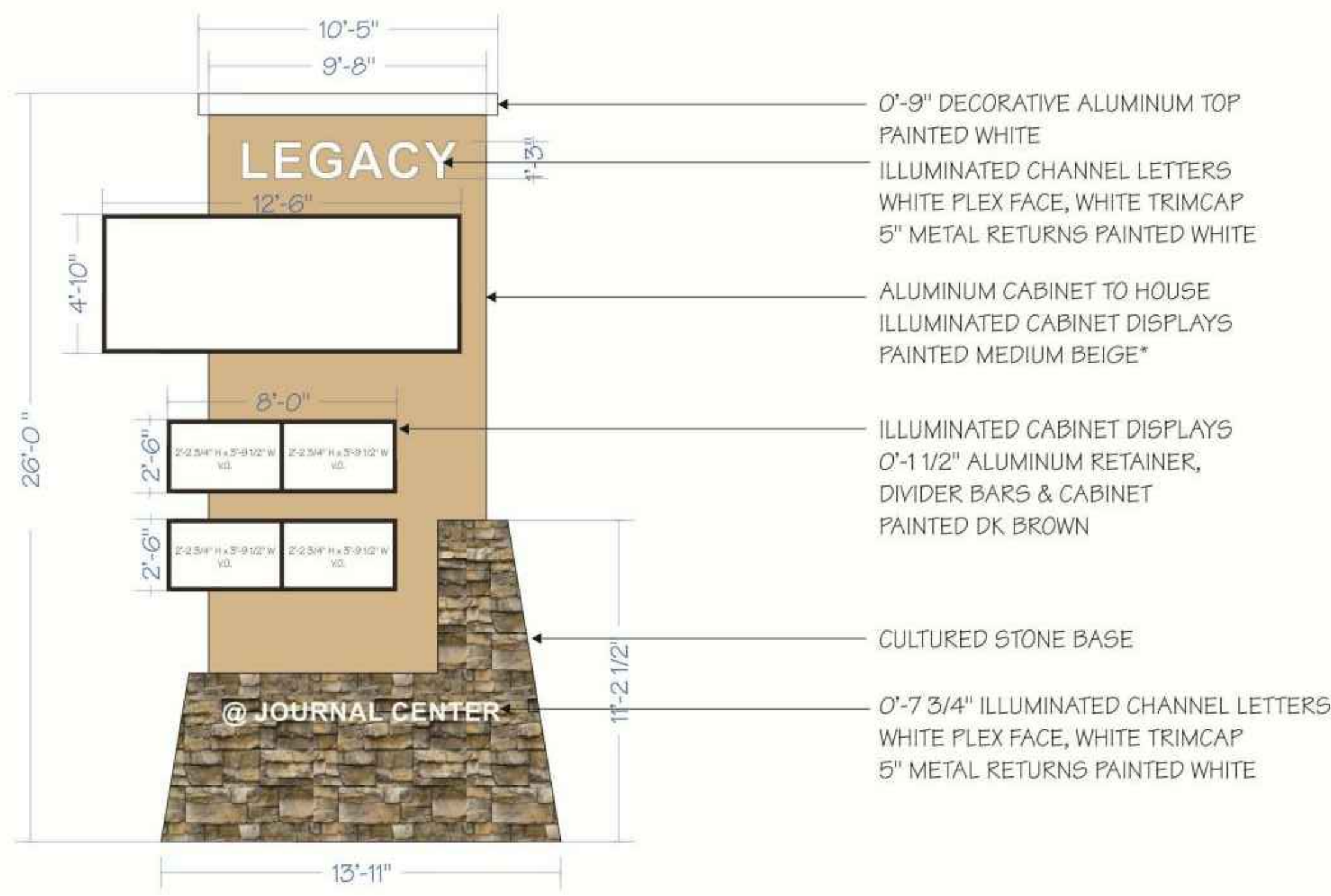
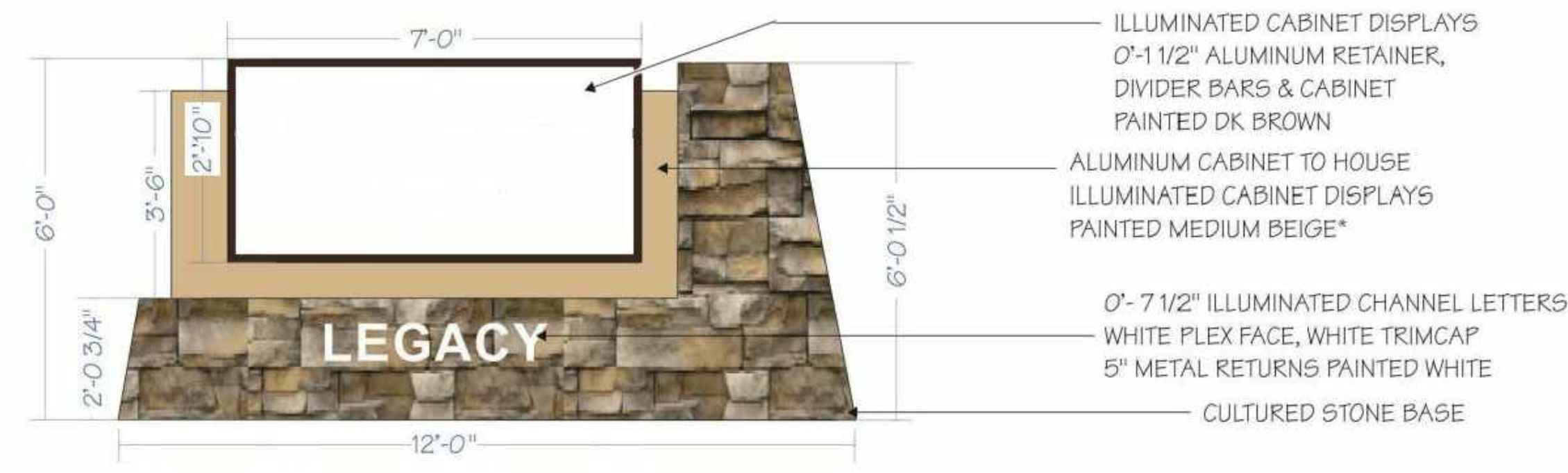


REVISIONS

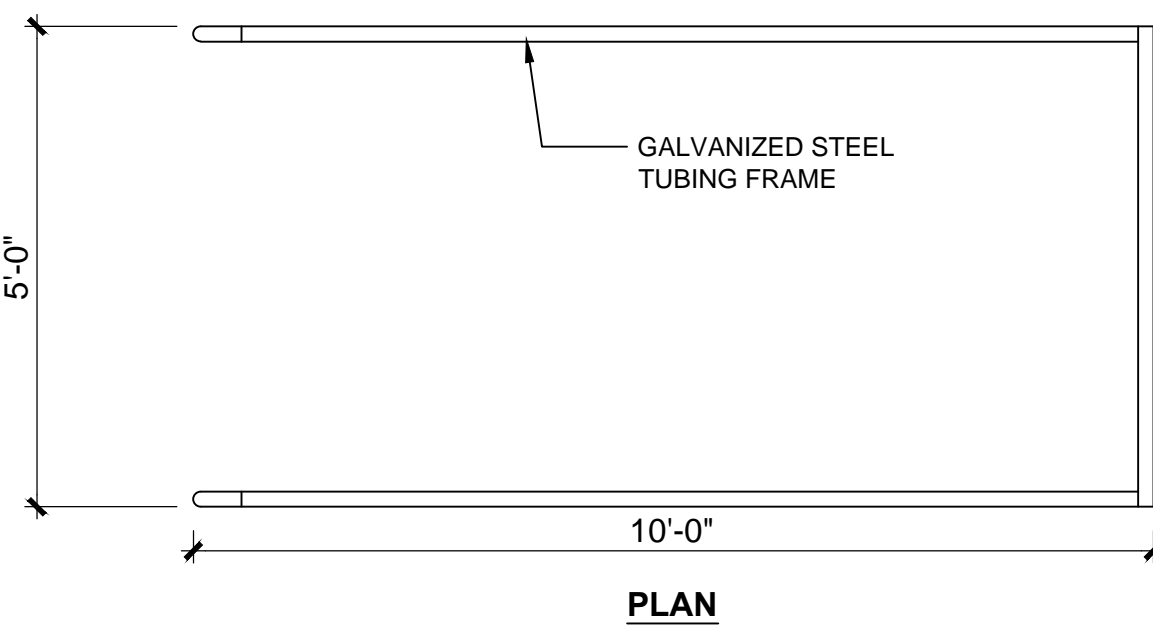
DRAWN BY	
REVIEWED BY	
DATE	July 15, 2016
PROJECT NO.	16-0068
DRAWING NAME	SITE DETAILS



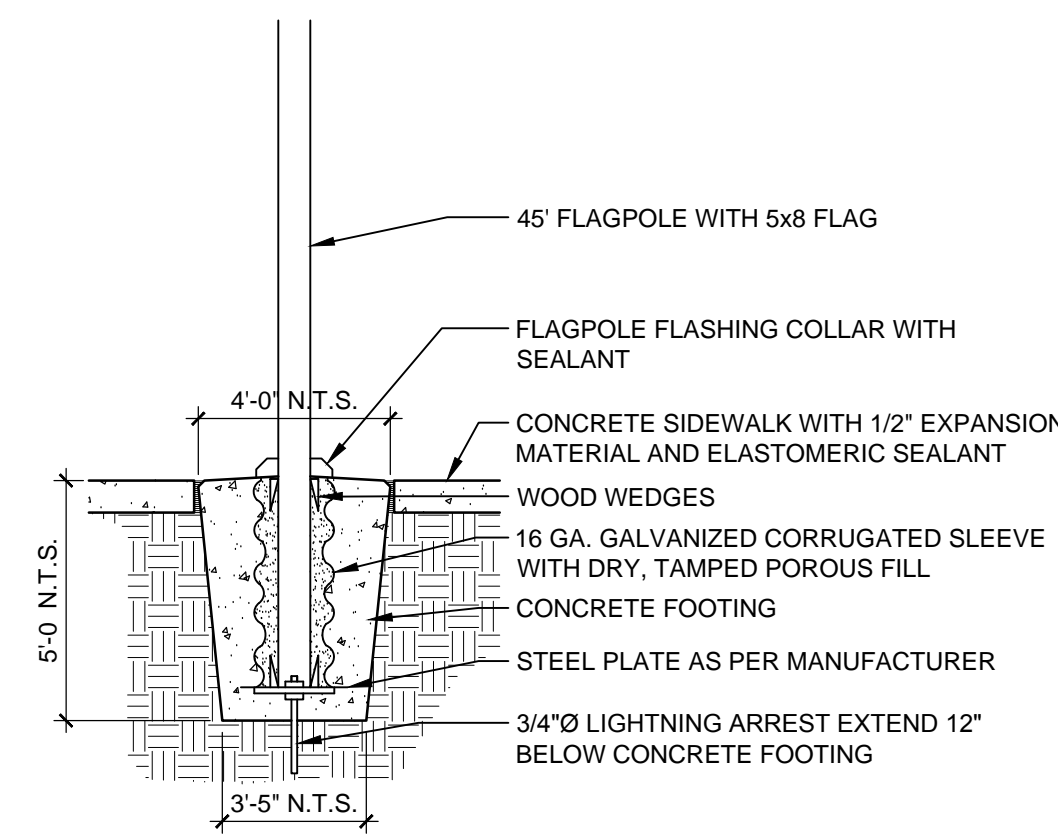
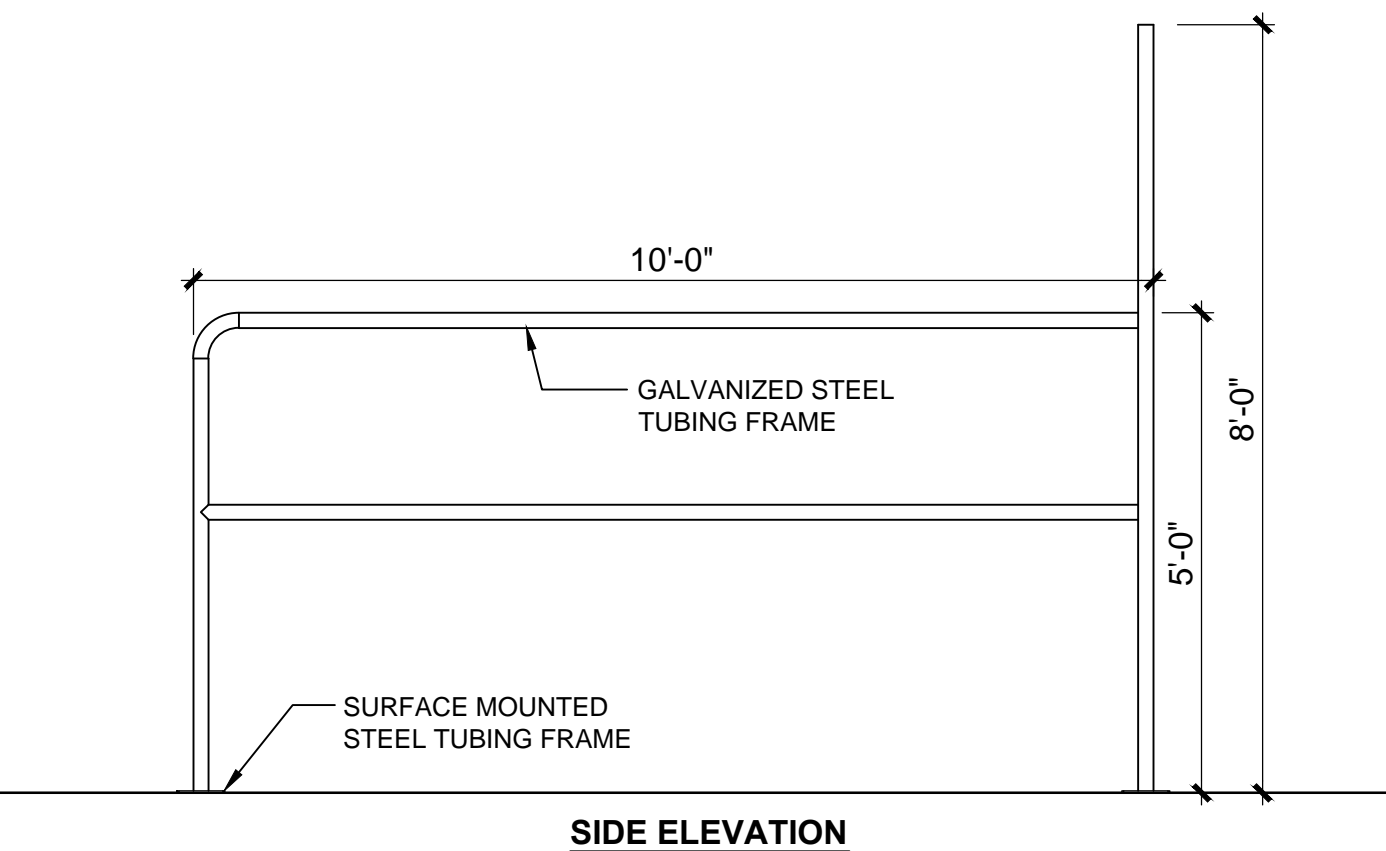
D1 PYLON SIGN
1/4" = 1'-0"



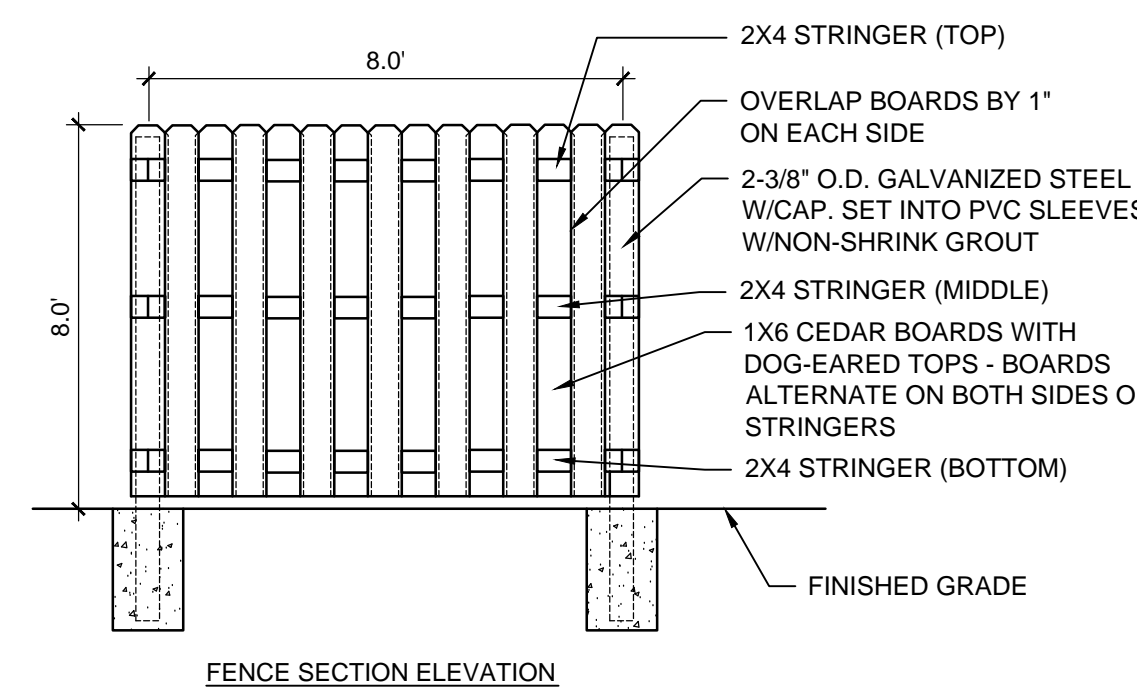
D4 MONUMENT SIGN
NOT TO SCALE



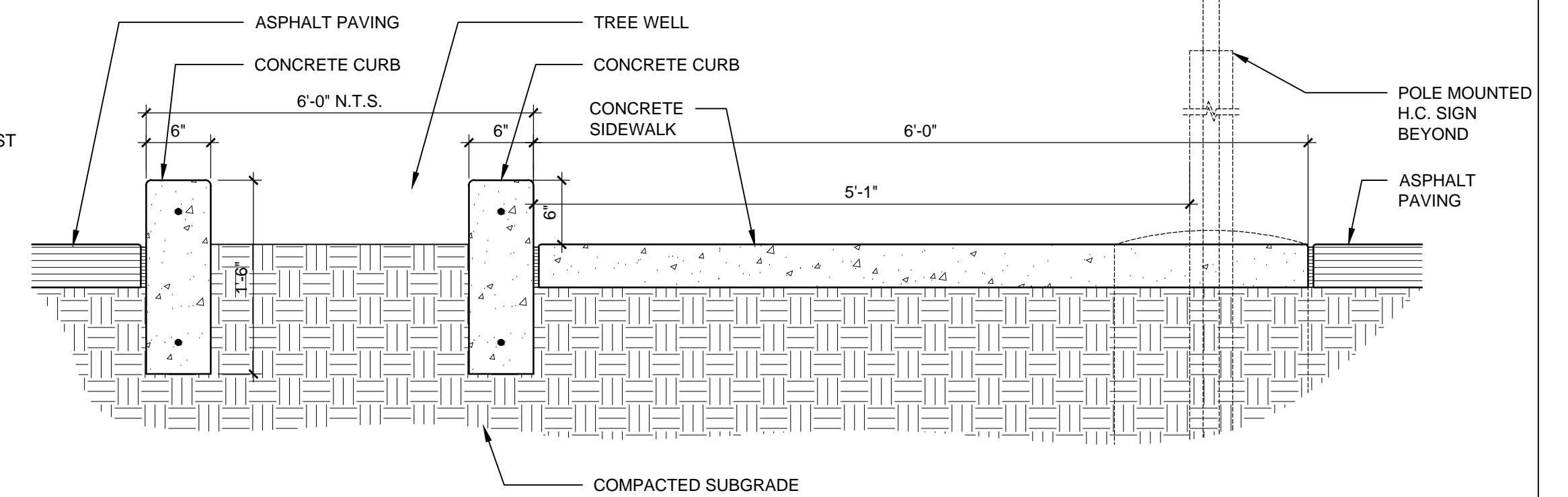
B1 CART CORRAL
1/2" = 1'-0"



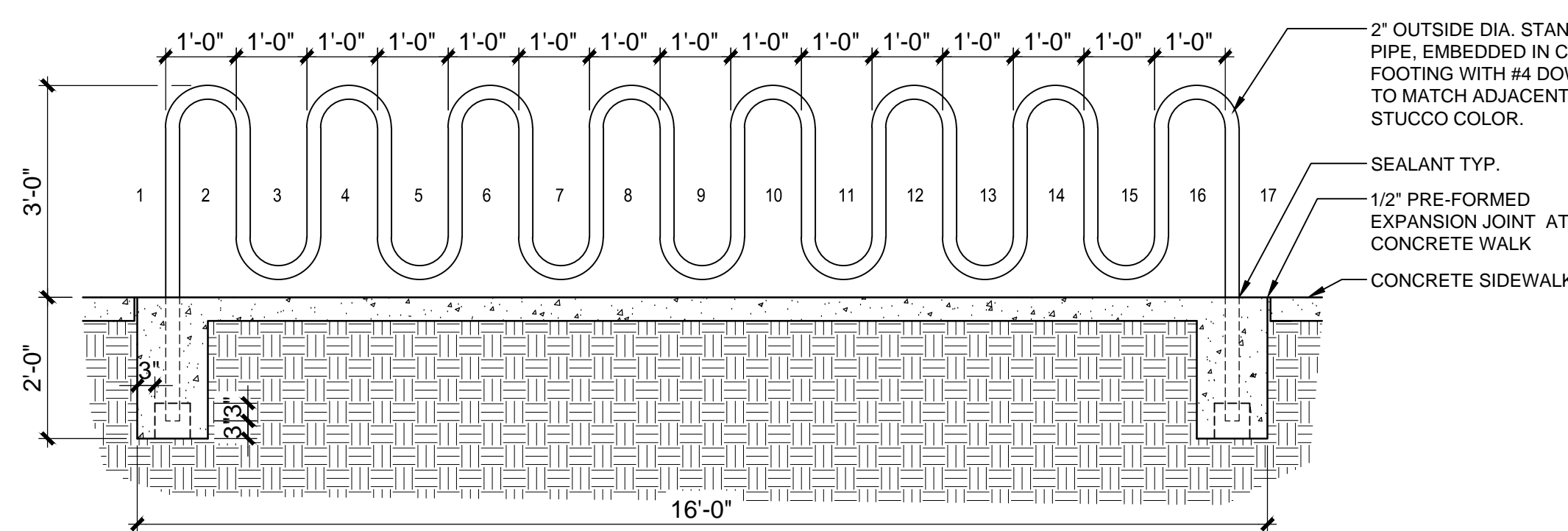
C3 FLAGPOLE
1/2" = 1'-0"



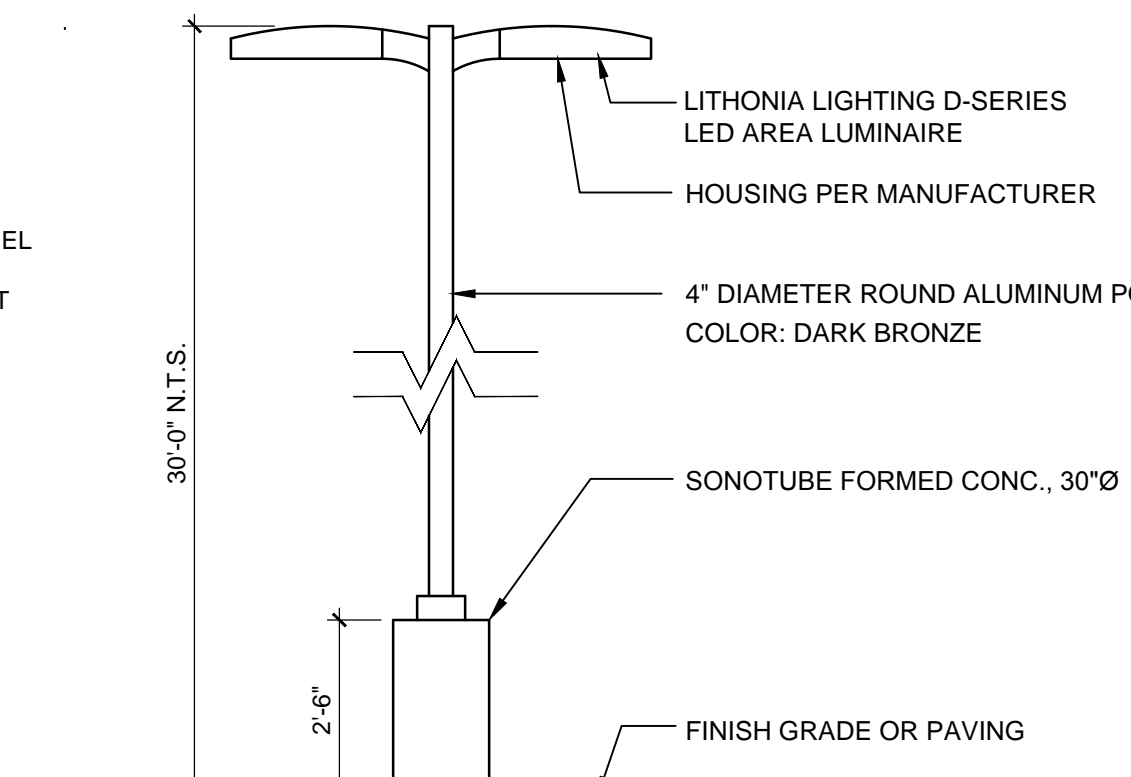
C4 DECORATIVE FENCING
1/4" = 1'-0"



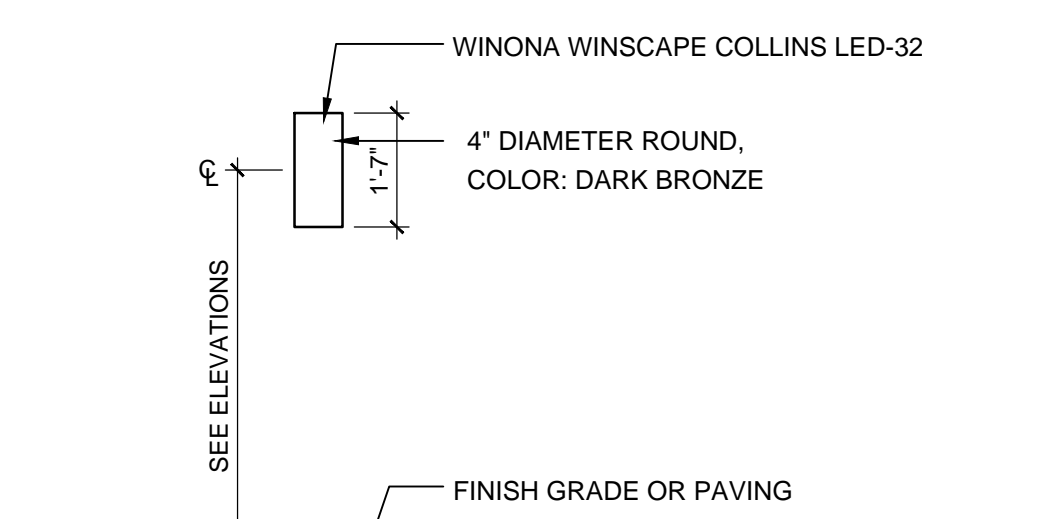
C5 TREE WELL and CONCRETE SIDEWALK
1" = 1'-0"



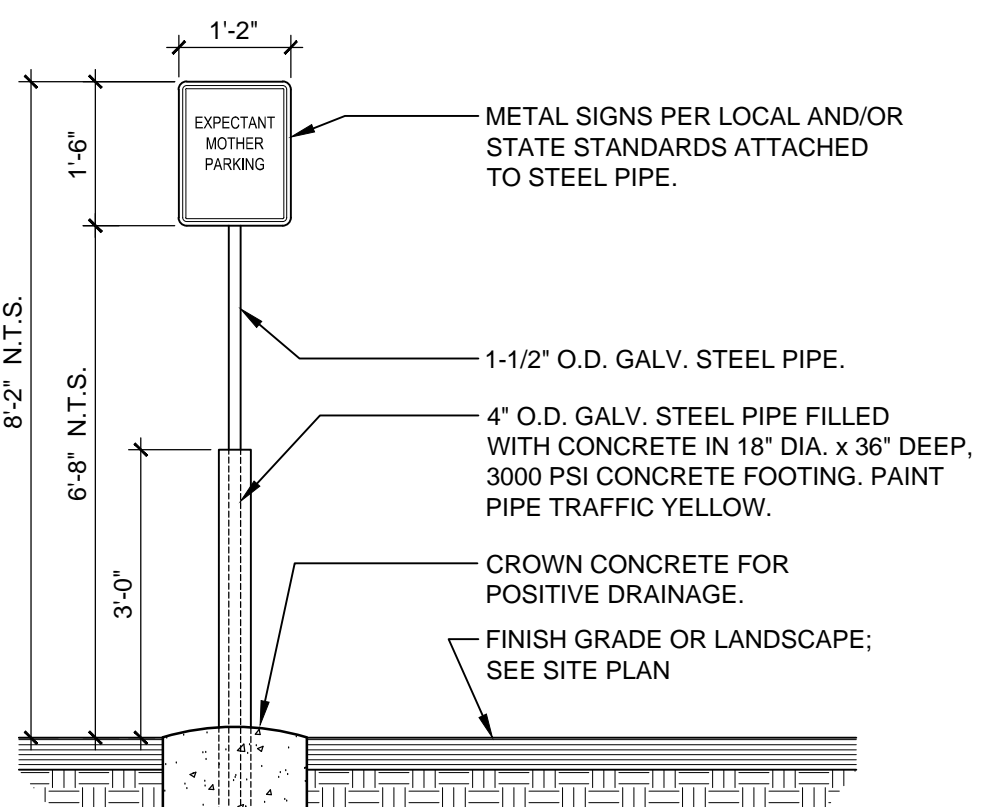
B3 BICYCLE RACK
1/2" = 1'-0"



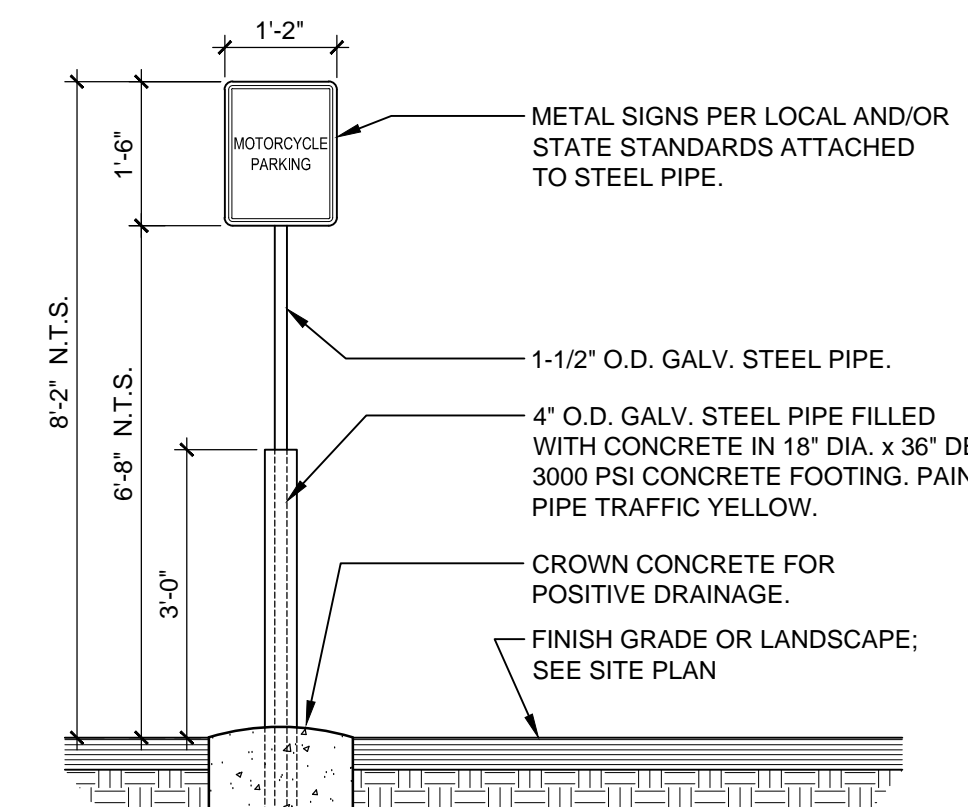
B5 POLE MOUNTED PARKING LOT LIGHT
3/8" = 1'-0"



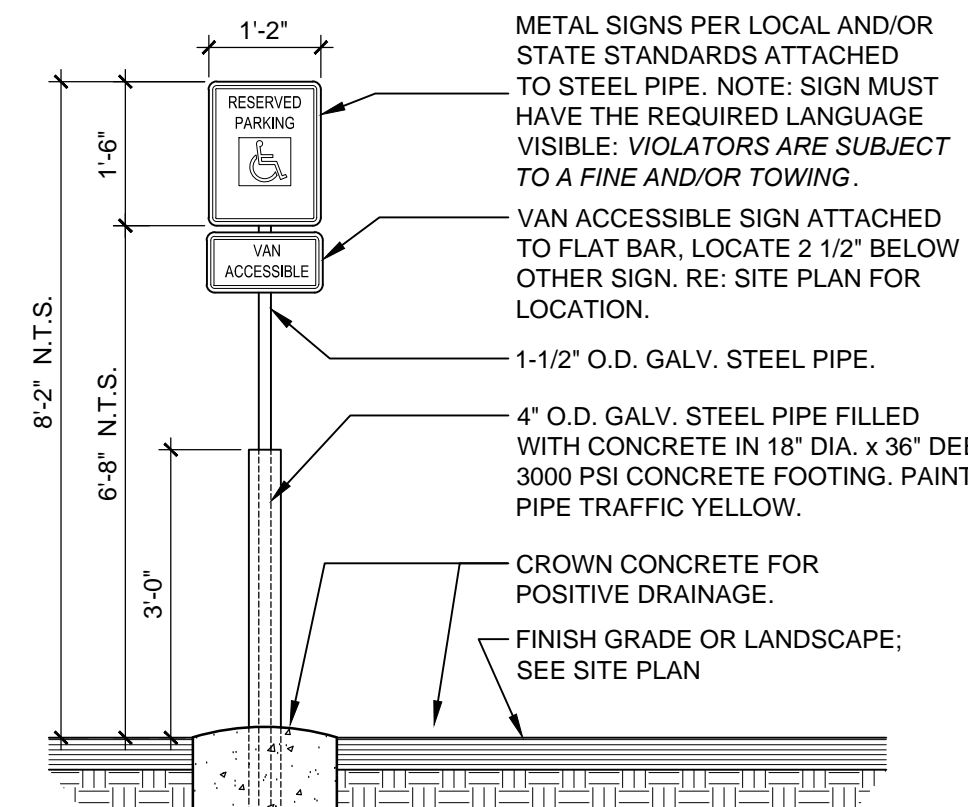
B6 BUILDING MOUNTED WALL SCONCE
3/8" = 1'-0"



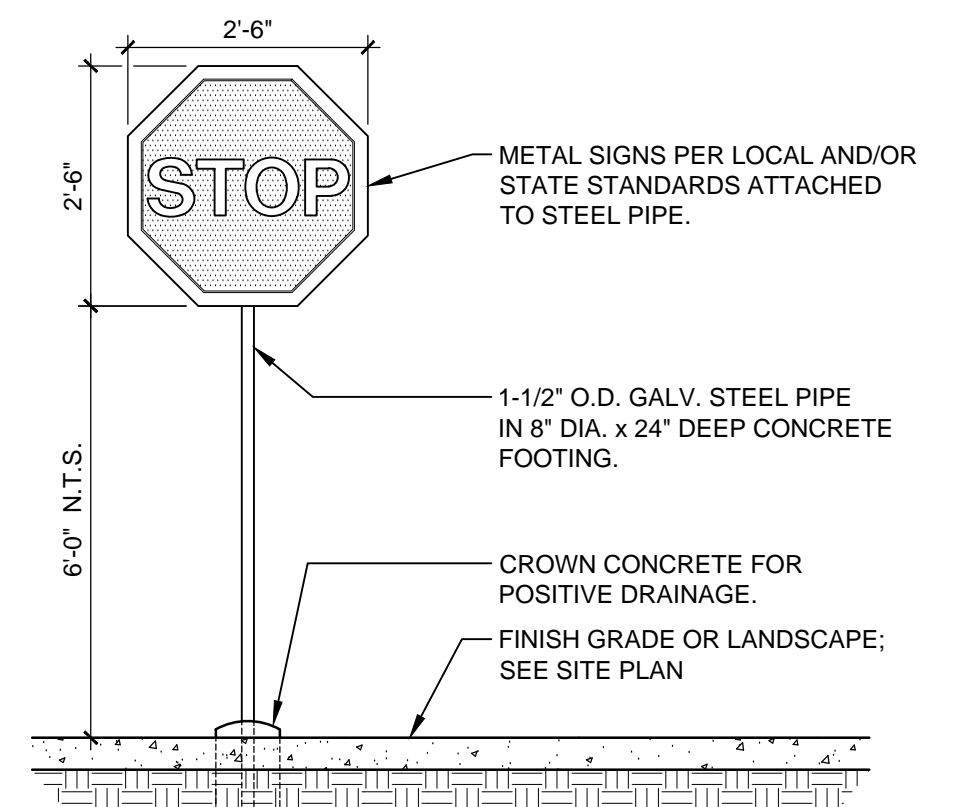
A1 POLE MOUNTED EXPECTANT MOTHER
1/2" = 1'-0"



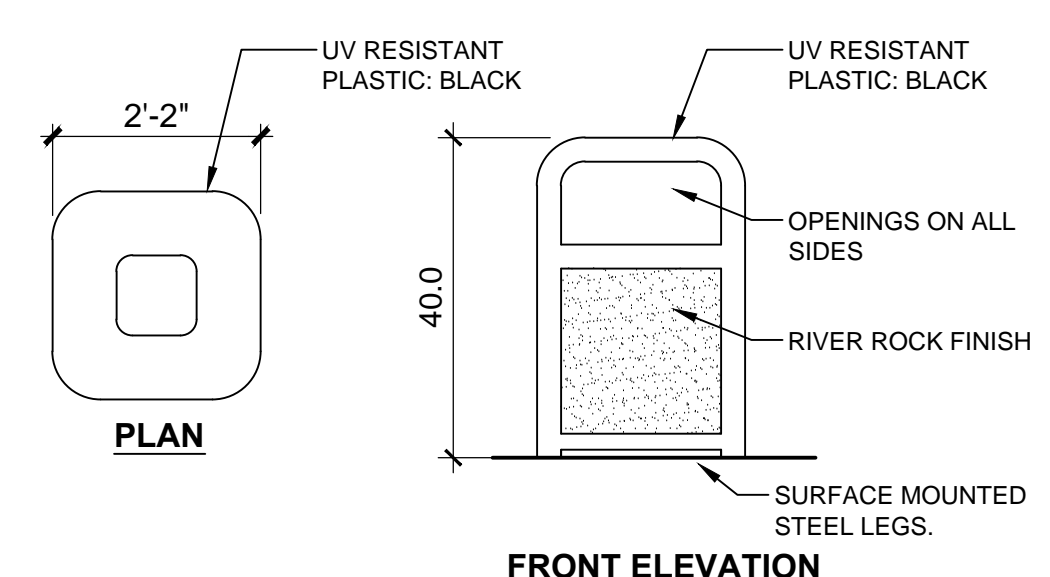
A2 POLE MOUNTED MOTORCYCLE SIGN
1/2" = 1'-0"



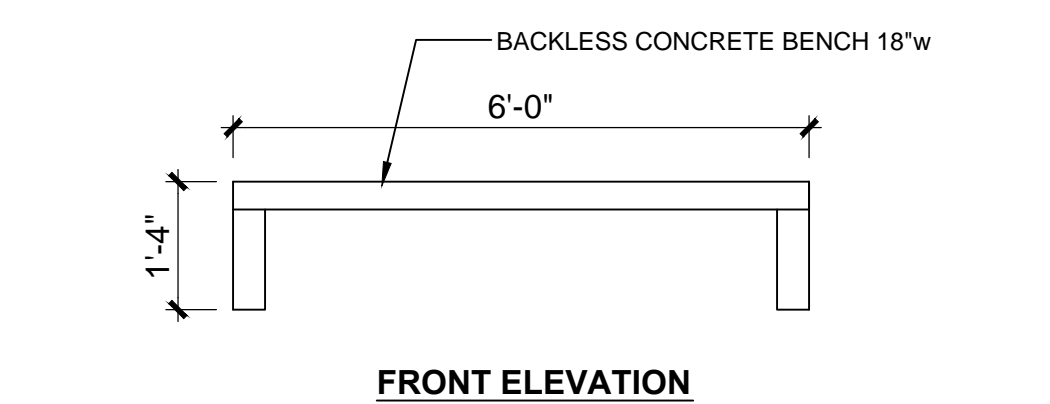
A3 POLE MOUNTED H.C. SIGN (VAN)
1/2" = 1'-0"



A4 POLE MOUNTED STOP SIGN
1/2" = 1'-0"



A5 LITTER RECEPTACLE
1/2" = 1'-0"



A6 BENCH
1/2" = 1'-0"