

**DESCRIPTION**

The Prevail LED area, site luminaire combines optical performance, energy efficiency and long term reliability in an advanced, expanding modern design. Utilizing the latest LED technology, the Prevail luminaire delivers unparalleled uniformity resulting in greater pole spacing. A versatile mount standard arm facilitates ease of installation for both retrofit and new installations. With energy savings greater than 82%, the Prevail fixture replaces 150-400W metal halide fixtures in general area lighting applications such as parking lots, walkways, roadways and building areas.

**SPECIFICATION FEATURES**

**Construction**  
Construction is comprised of a heavy-duty, single-piece die-cast aluminum housing. The LED drivers are mounted in direct contact with the casting to promote low operating temperature and long life. The die-cast aluminum door is tethered to provide easy access to the driver if replacement is required. A one-piece silicone gasket seals the door to the fixture housing. The optics is mounted on a versatile, aluminum plate that dissipates heat from the LEDs resulting in longer life of the fixture. The fixture is IP66 and 3G vibration rated (ANSI C136.31) to insure strength of construction and longevity in the selected application.

**Optics**  
Precision molded, high efficiency optics are precisely designed to shape the distribution, maximizing efficiency and application spacing. Available in Type II, III, IV and V distributions with lumen packages ranging from 6,100 to 18,900 nominal lumens. Light engine configurations consist of 1 or 2 high-efficiency LEDs mounted to metal-core circuit boards to maximize heat dissipation and promote long life (up to 100,000 hours at 25°C) per IESNA TM-21. For the ultimate level of spill light control, an optional house side shield accessory can be field or factory installed.

**Electrical**  
LED drivers are mounted to the fixture for optimal heat sinking and ease of maintenance. Thermal management incorporates both conduction and convection to transfer heat rapidly away from the LED source for optimal efficiency and light output. Class 1 electronic drivers have a power factor >0.95, THD <20%, and an expected life of 100,000 hours with <1% failure rate. Available in 120-277V 50/60Hz, 347V 60Hz or 480V 60Hz operation. 480V is compatible for use with 480V Wye systems only. 10kV/10kA surge protection standard. 0-10V dimming driver is standard with leads external to the fixture to accommodate controls capability such as dimming and occupancy. Suitable for ambient temperatures from -40°C to 40°C. Optional 50°C HA (high ambient) available. Standard NEMA 3-PIN twistlock photocontrol receptacle and NEMA 7-PIN twistlock photocontrol receptacles are available as options.

**Controls**  
The Prevail LED luminaire control options are designed to be simple and cost-effective ASHRAE and California Title 24 compliant solutions. The ANSI C136.41 compliant NEMA 7-PIN receptacle enables wireless dimming when used with compatible photocontrol. An integrated dimming and occupancy sensor is a standalone control option available in on/off (MSP) and bi-level dimming (MSP/DIM) operation.

**Mounting**  
Standard pole mount arm is bolted directly to the pole and the fixture slides onto the arm and locks in place with a bolt facilitating quick and easy installation. The versatile, patent pending, standard mount arm accommodates multiple drill patterns ranging from 1-1/2" to 4-7/8". Removal of the door on the standard mounting arm enables wiring of the fixture without having to access the driver compartment. A knock-out on the standard mounting arm enables round pole mounting. Wall mount and mast arm mounting options are available. Mast arm adapter fits 2-3/8" O.D. tenon.

**Finish**  
Housing and cast parts finished in five-stage super TGIC polyester powder coat paint, 2.5 mil nominal thickness for superior protection against fade and wear. Standard color is bronze. Additional colors available in white, grey, black, dark platinum and graphite metallic.

**Warranty**  
Five-year warranty.

**Lumark**

Catalog #	PRV-A15-DPUNV-T3-WM-BZ MSP/DIM-L30	Type	W
Project		Date	
Comments			
Prepared by			



**PRV PREVAIL**

LED  
AREA / SITE / ROADWAY  
LUMINAIRE



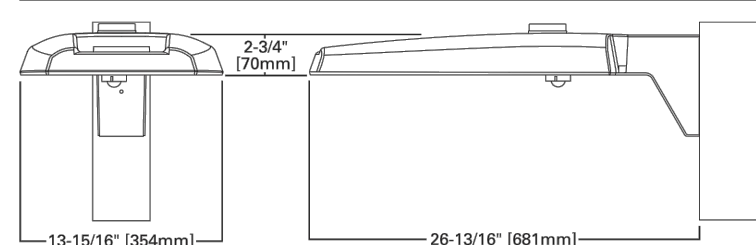
**CERTIFICATION DATA**  
UL and cUL Wet Location Listed  
IP66-Rated  
50 Vibration Rated  
ISO 9001  
DesignLights Consortium™ Qualified\*

**ENERGY DATA**  
Electronic LED Driver  
0.9 Power Factor  
<20% Total Harmonic Distortion  
120-277V/50 and 60Hz,  
347V/60Hz, 480V/60Hz  
40°C Minimum Temperature Rating  
=40°C Ambient Temperature Rating

**SHIPPING DATA**  
Approximate Net Weight:  
20 lbs. (9.09 kg.)

TD500018EN  
2016-10-31 11:22:55

**DIMENSIONS**

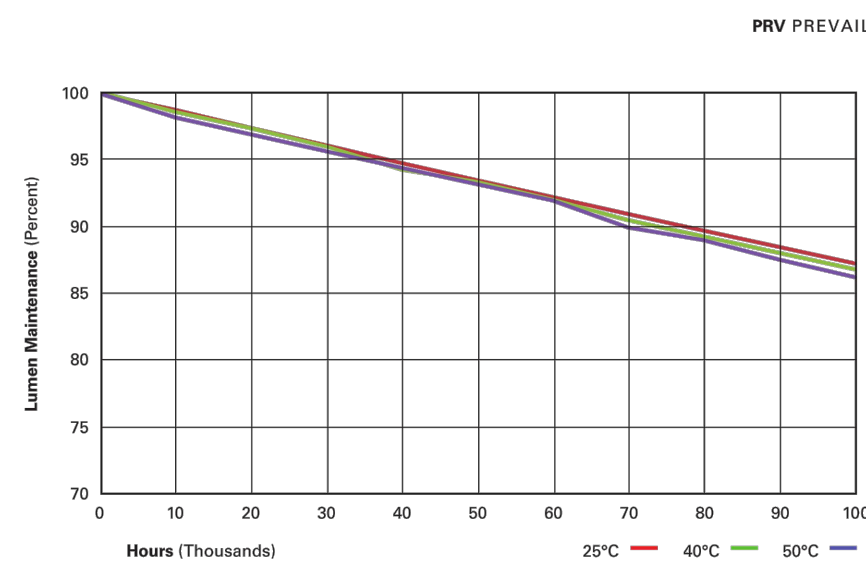


Powering Business Worldwide

\*www.designlights.org

**LUMEN MAINTENANCE**

Ambient Temperature	25,000 Hours*	50,000 Hours*	60,000 Hours*	Theoretical 100,000 Hours	Theoretical L70 (Hours)*
25°C	> 96%	> 93%	> 92%	> 87%	> 260,000
40°C	> 96%	> 93%	> 92%	> 87%	> 255,000
50°C	> 95%	> 92%	> 91%	> 86%	> 250,000



**LUMEN MULTIPLIER**

Ambient Temperature	Lumen Multiplier
10°C	1.02
15°C	1.01
25°C	1.00
40°C	0.99

**ORDERING INFORMATION**

Product Family **	Light Engine *	Driver *	Voltage	Distribution	Mounting	Color *
PRV-Prevail	A15=1 LED, 6,100 Nominal Lumens A25=2 LEDs, 10,200 Nominal Lumens A40=2 LEDs, 15,100 Nominal Lumens A60=2 LEDs, 18,900 Nominal Lumens	Dimming (0-10V)	UNV=Universal (120-277V) 347-347V 480-480V *	T3=Type III T4=Type IV T5=Type V	SA=Standard Versatile Arm MA=Mast Arm WA=Wall Mount Arm	AP=Grey BR=Bronze (Standard) BK=Black DP=Dark Platinum GM=Graphite Metallic WH=White
<b>Options (Add as Suffix)</b>		<b>Accessories (Order Separately) **</b>				
7826-73 CR / 300K CCT * 7826-70 CR / 500K CCT * 10K-100V/10A UL 1440 Fused Surge Protective Device DMRE-LW=LumWatt Wireless Sensor, Wide Lens for 8'-16' Mounting Height ** DMRF-LW=LumWatt Wireless Sensor, Narrow Lens for 16'-40' Mounting Height ** MSP/DIM-L30=Integrated Sensor for Dimming Operation, 12'-30' Mounting Height MSP/DIM-L30=Integrated Sensor for Dimming Operation, 12'-30' Mounting Height PER-10EMA 3-PIN Twistlock Photocontrol Receptacle ** PER7-NEMA 7-PIN Twistlock Photocontrol Receptacle ** HSB=House Side Shield HA=50°C High Ambient Temperature		PRVWA-XX=Wall Mount Kit PRVMA-XX=Standard Mast Arm Mounting Kit HSVEB=House Side Shield MA1010-XX=Single Tenon Adapter for 3-1/2" O.D. Tenon MA1011-XX=3/8" Tenon Adapter for 3-1/2" O.D. Tenon MA1012-XX=3/8" Tenon Adapter for 3-1/2" O.D. Tenon MA1013-XX=3/8" Tenon Adapter for 3-1/2" O.D. Tenon MA1014-XX=3/8" Tenon Adapter for 3-1/2" O.D. Tenon MA1015-XX=3/8" Tenon Adapter for 3-1/2" O.D. Tenon MA1016-XX=3/8" Tenon Adapter for 3-1/2" O.D. Tenon MA1017-XX=3/8" Tenon Adapter for 3-1/2" O.D. Tenon MA1018-XX=3/8" Tenon Adapter for 3-1/2" O.D. Tenon MA1019-XX=3/8" Tenon Adapter for 3-1/2" O.D. Tenon MA1020-XX=3/8" Tenon Adapter for 3-1/2" O.D. Tenon MA1021-XX=3/8" Tenon Adapter for 3-1/2" O.D. Tenon MA1022-XX=3/8" Tenon Adapter for 3-1/2" O.D. Tenon MA1023-XX=3/8" Tenon Adapter for 3-1/2" O.D. Tenon MA1024-XX=3/8" Tenon Adapter for 3-1/2" O.D. Tenon MA1025-XX=3/8" Tenon Adapter for 3-1/2" O.D. Tenon OARA1013=Photocontrol Shunting Cap OARA1014=NEMA Photocontrol - 120V OARA1016=NEMA Photocontrol - Multi-Tap 105-265V OARA1027=NEMA Photocontrol - 480V OARA1028=NEMA Photocontrol - 347V BMH=Integrated Sensor Programming Remote				

- NOTES:**
- Customer is responsible for engineering analysis to confirm pole and fixture compatibility for all applications. Refer to installation instructions 8000020E and pole white paper WPS3001EN for additional support information.
  - DesignLights Consortium™ Qualified and classified for both DLC Standard and DLC Premium, refer to www.designlights.org for details.
  - Standard 4000K CCT and 70 CRI.
  - Consult factory for driver surge protection values.
  - Only for use with 480V Wye systems. For NEC not for use with ungrounded systems, impedance grounded systems or corner grounded systems (commonly known as Three Phase Three Wire Delta, Three Phase High Leg Delta and Three Phase Corner Grounded Delta systems).
  - Different housing colors impact lumens output. IES files for the non-standard colors are available upon request.
  - Extended lead times apply. Use dedicated IES files for 300K and 500K when performing layouts. These files are published on the Prevail luminaire product page on the website.
  - LumWatt wireless sensors are factory installed and require network components RF DM-1, RF-QW-1 and RF-RDU-1 in appropriate quantities. See website for LumWatt application information.
  - LumWatt wireless system is not available with photocontrol receptacle (see note).
  - Not available with MSP or DMF options.
  - Figure XX with asterisk.

**STOCK ORDERING INFORMATION**

Product Family	Light Engine	Voltage	Distribution	Options (Add as Suffix)
PRV-Prevail	A15=1 LED, 6,100 Nominal Lumens A25=2 LEDs, 10,200 Nominal Lumens A40=2 LEDs, 15,100 Nominal Lumens A60=2 LEDs, 18,900 Nominal Lumens	UNV=Universal (120-277V) 347-347V	T3=Type III T4=Type IV	MSP/DIM-L30=Integrated Sensor for Dimming Operation, Maximum 30' Mounting Height

NOTE: Bronze only, 400K CCT, 120-277V, 347V, standard mounting arm, standard non-rated 10V MOV and 0-10V dimming.

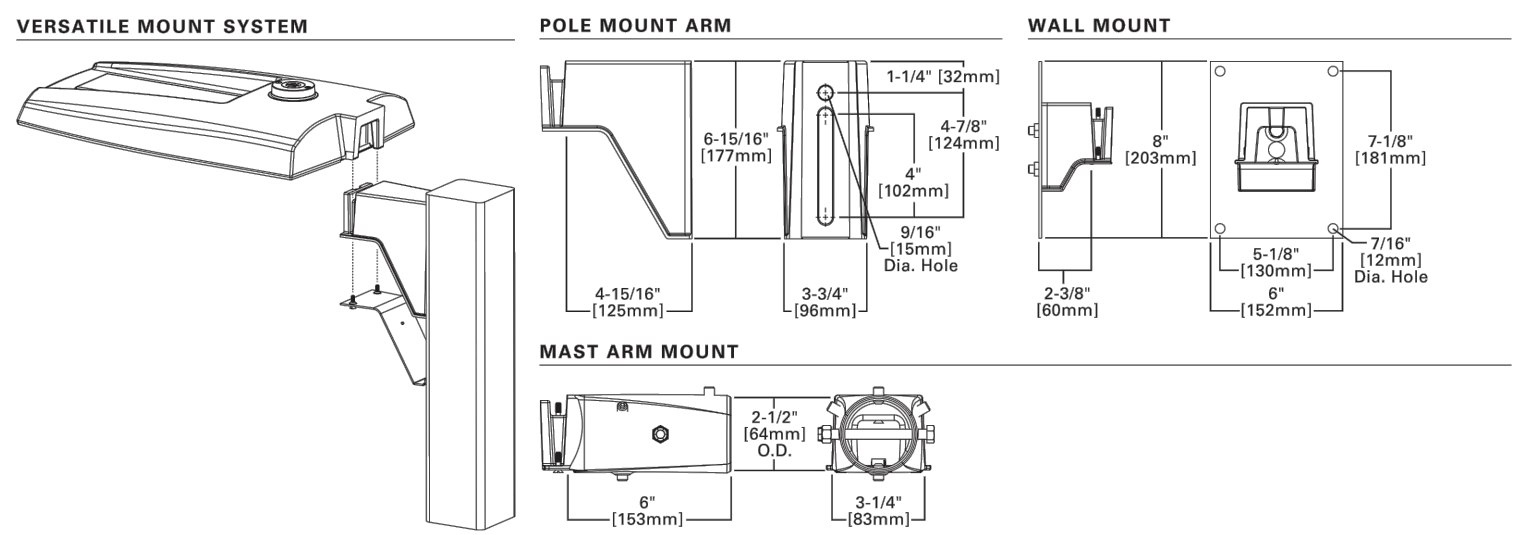


Powering Business Worldwide

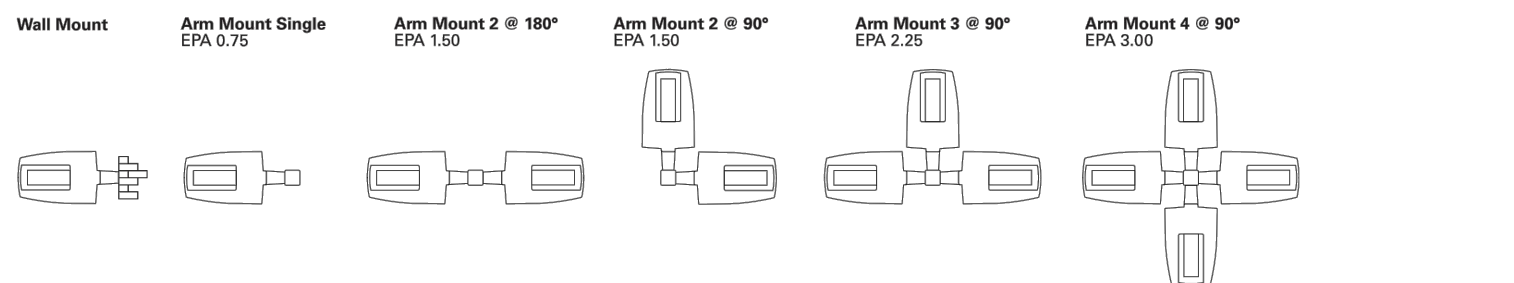
Specifications and dimensions subject to change without notice.

TD500018EN  
2016-10-31 11:22:55

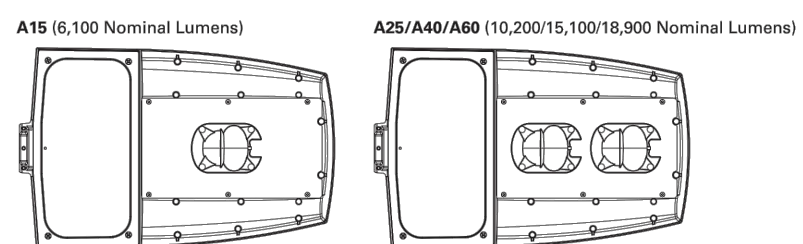
**PRV PREVAIL**



**MOUNTING CONFIGURATIONS AND EPAS**



**OPTICAL CONFIGURATIONS**



**POWER AND LUMENS**

Light Engine	A15	A25	A40	A60
Nominal Power (Watts)	57W	87W	143W	163W
Input Current @ 120V (A)	0.49	0.76	1.23	1.34
Input Current @ 277V (A)	0.22	0.35	0.54	0.60
Input Current @ 347V (A)	0.18	0.28	0.45	0.49
Input Current @ 480V (A)	0.13	0.21	0.33	0.35
Lumens	6,139	10,204	15,073	18,830
BUG Rating	B1-U0-G1	B2-U0-G2	B3-U0-G3	B3-U0-G3
Lumens	6,192	10,292	15,203	18,962
BUG Rating	B1-U0-G2	B2-U0-G3	B2-U0-G3	B3-U0-G4
Lumens	6,173	10,261	15,157	18,935
BUG Rating	B1-U0-G3	B2-U0-G3	B2-U0-G4	B2-U0-G5
Lumens	6,393	10,627	15,697	19,610
BUG Rating	B3-U0-G3	B4-U0-G3	B4-U0-G4	B5-U0-G4

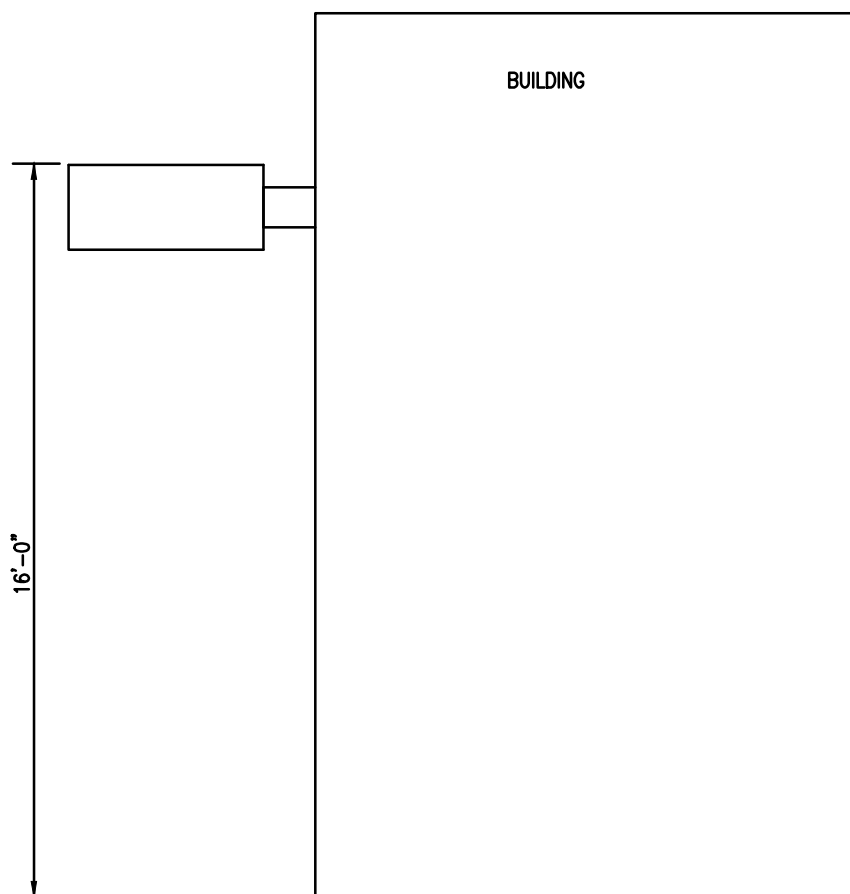
NOTE: Lumens output for standard housing fixture only. Different housing colors impact lumens output. IES files for the non-standard colors are available upon request.



Powering Business Worldwide

Specifications and dimensions subject to change without notice.

TD500018EN  
2016-10-31 11:22:55



**1 BUILDING MOUNT DETAIL**  
Scale: N=1 To Scale

**Tarleton Engineering Inc.**  
910 RIO VISTA CIR. SW  
ALBUQUERQUE, NEW MEXICO 87105  
Tel: (505) 263-6704  
charling@tarengine.com



**ARCHITECTS**

7925 Bosque ST. NW, Albuquerque, NM 87114 Ph. (505) 892-8453 Fax. (505)890-1736

**PROJECT:**  
**ALBUQUERQUE RV & BOAT STORAGE**  
**2201 VISTA ORIENTE NW, ALBUQUERQUE, NM**

**SHEET TITLE:**  
**TYPE W WALL MOUNT LIGHT FIXTURE**  
**DETAILS**

REVISION	DATE

ARCHITECT STAMP

CONSULTANT STAMP

DATE:

11-9-2016

PROJECT NO.

003-057

SHEET NO.

**E9.2**

**ARCHITECT STAMP**  
CLEY M. TARLETON  
NEW MEXICO  
6601  
REGISTERED PROFESSIONAL ENGINEER  
11/9/16