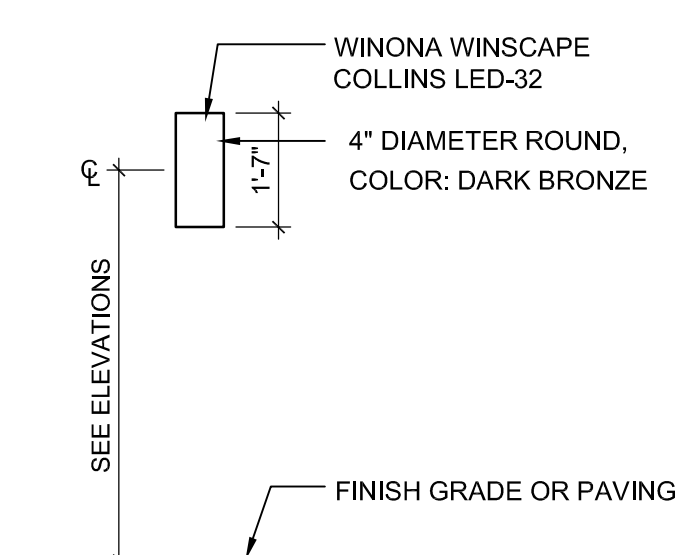
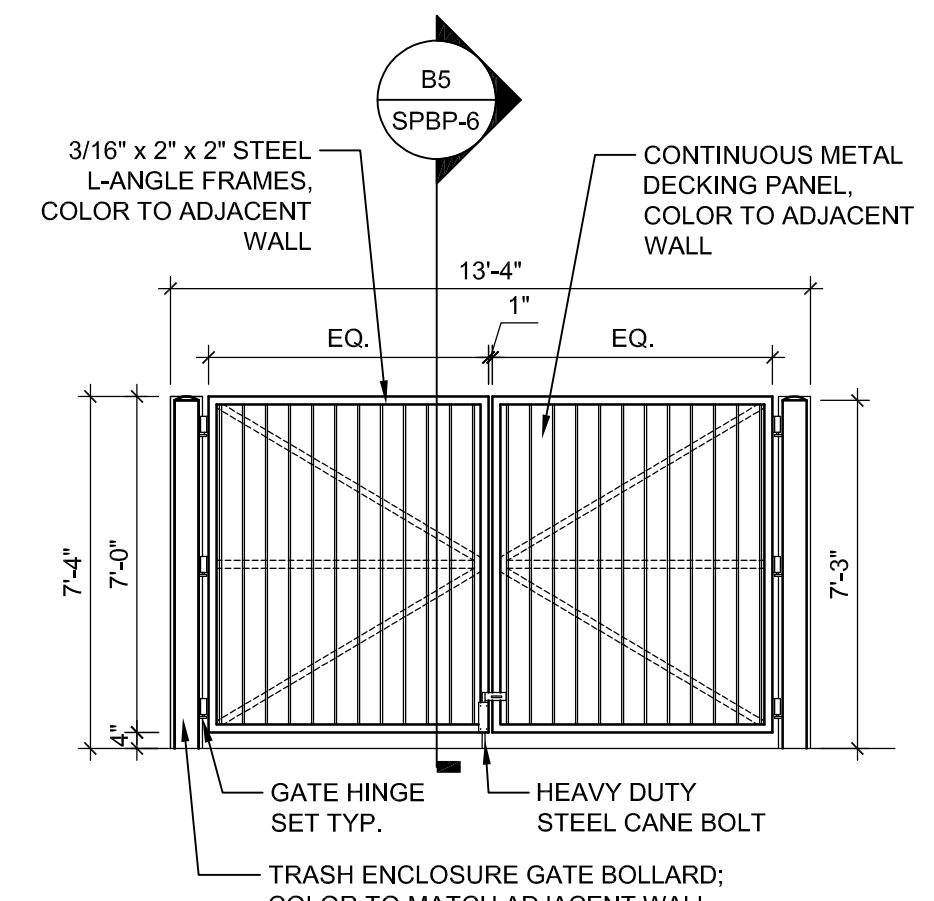


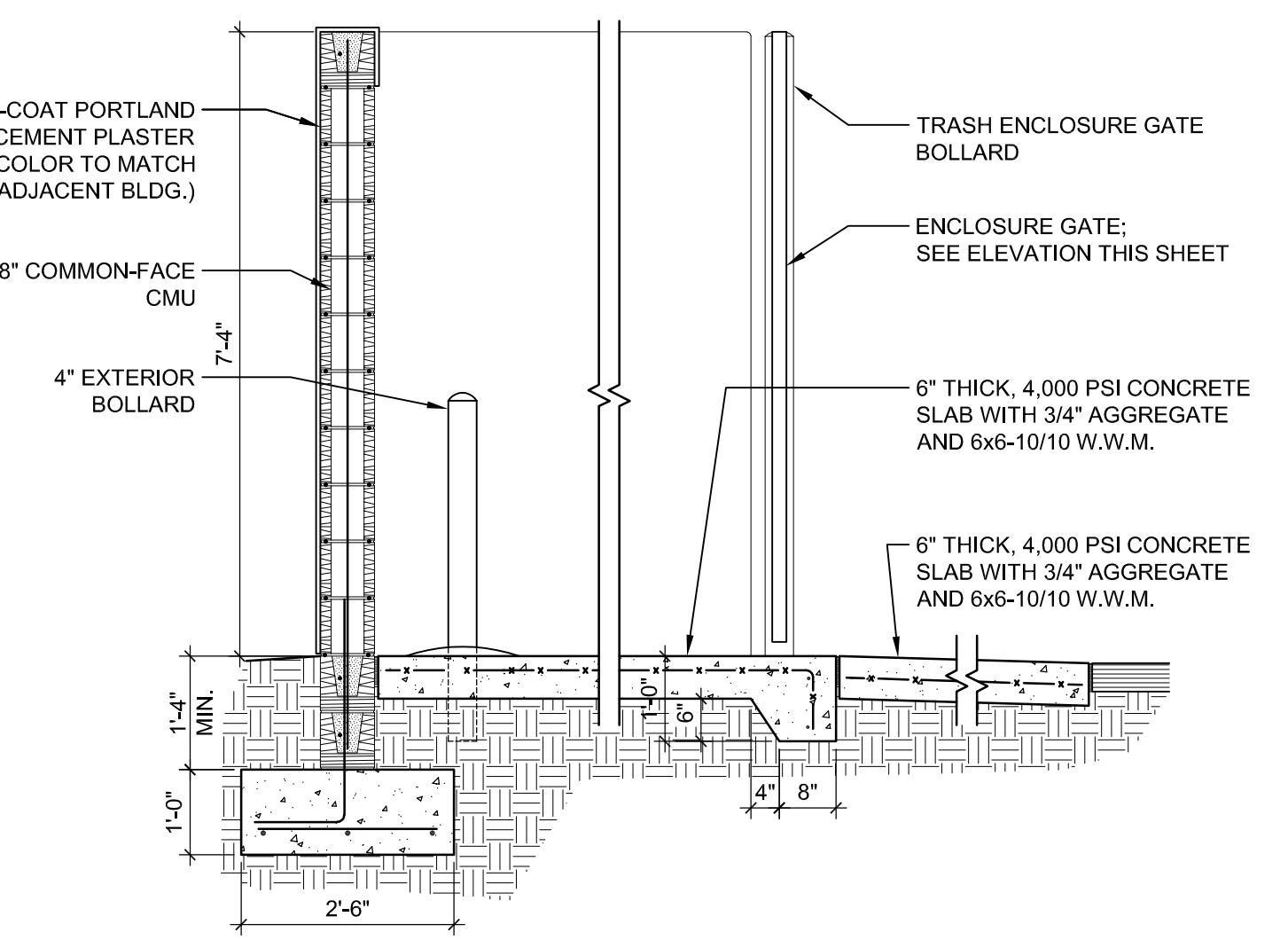
B1 MONUMENT SIGN
NOT TO SCALE



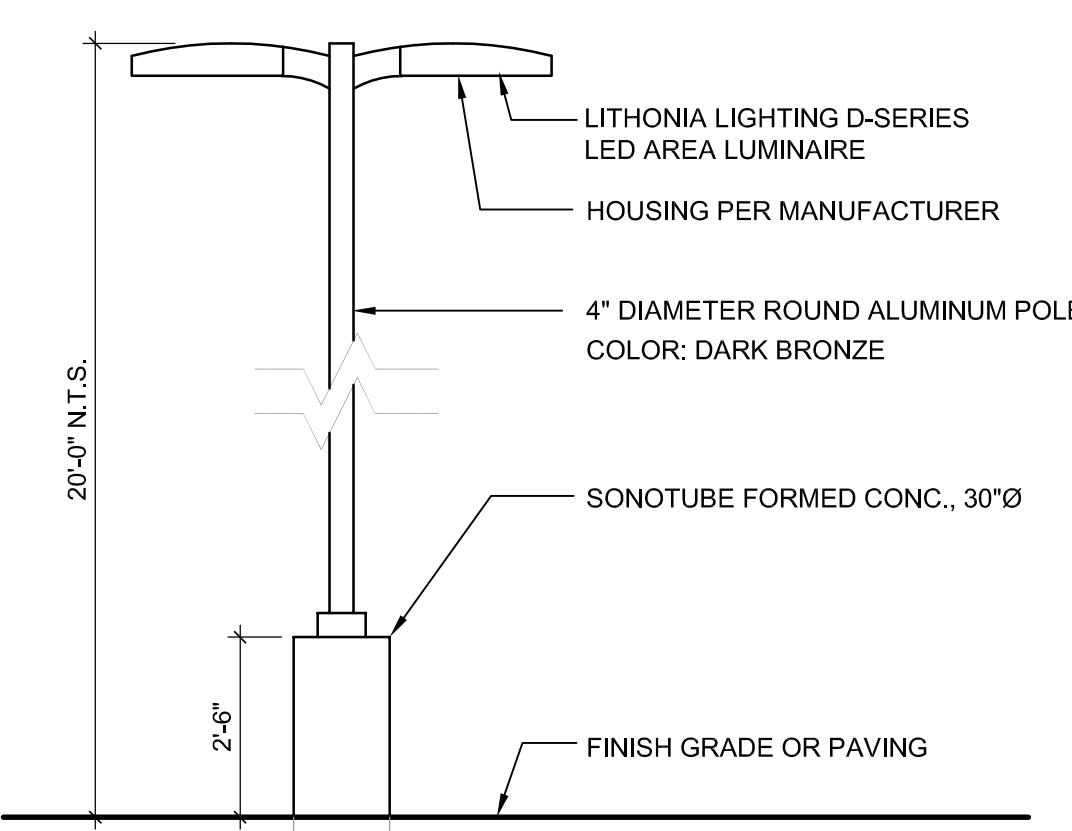
B3 BUILDING MOUNTED WALL SCONCE
3/8" = 1'-0"



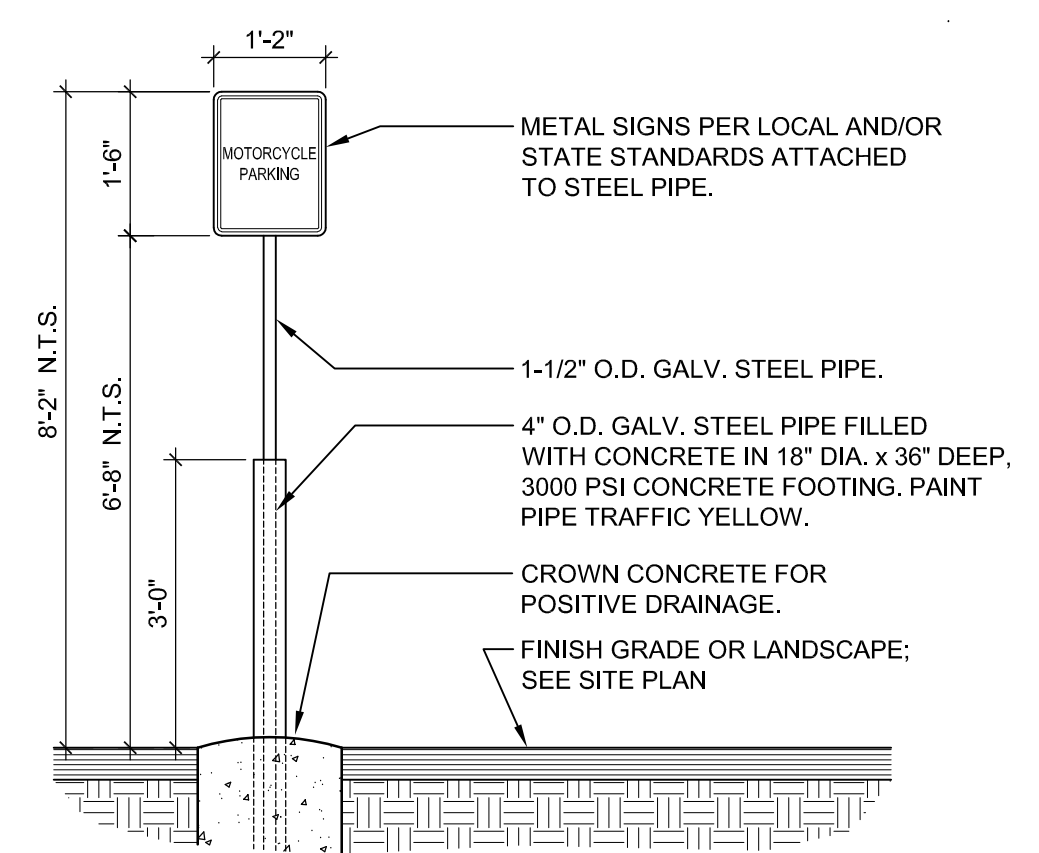
B4 TRASH ENCLOSURE
1/4" = 1'-0"



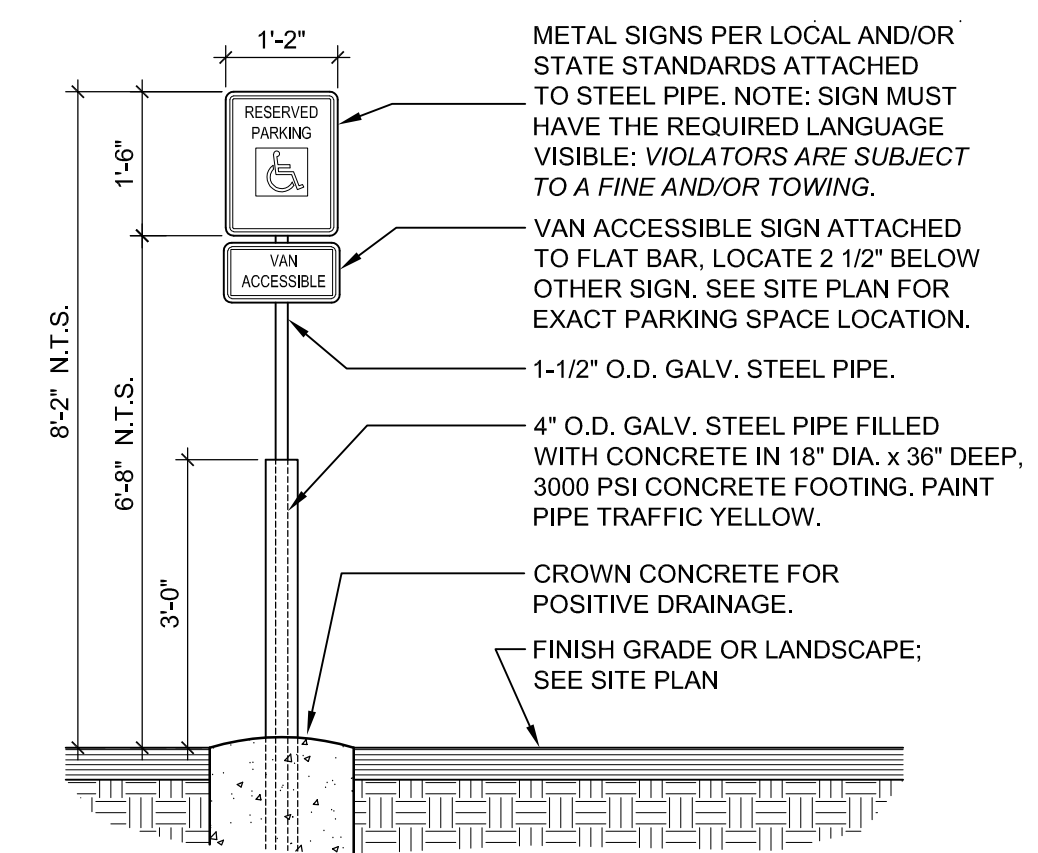
B5 TRASH ENCLOSURE WALL and GATE
1/2" = 1'-0"



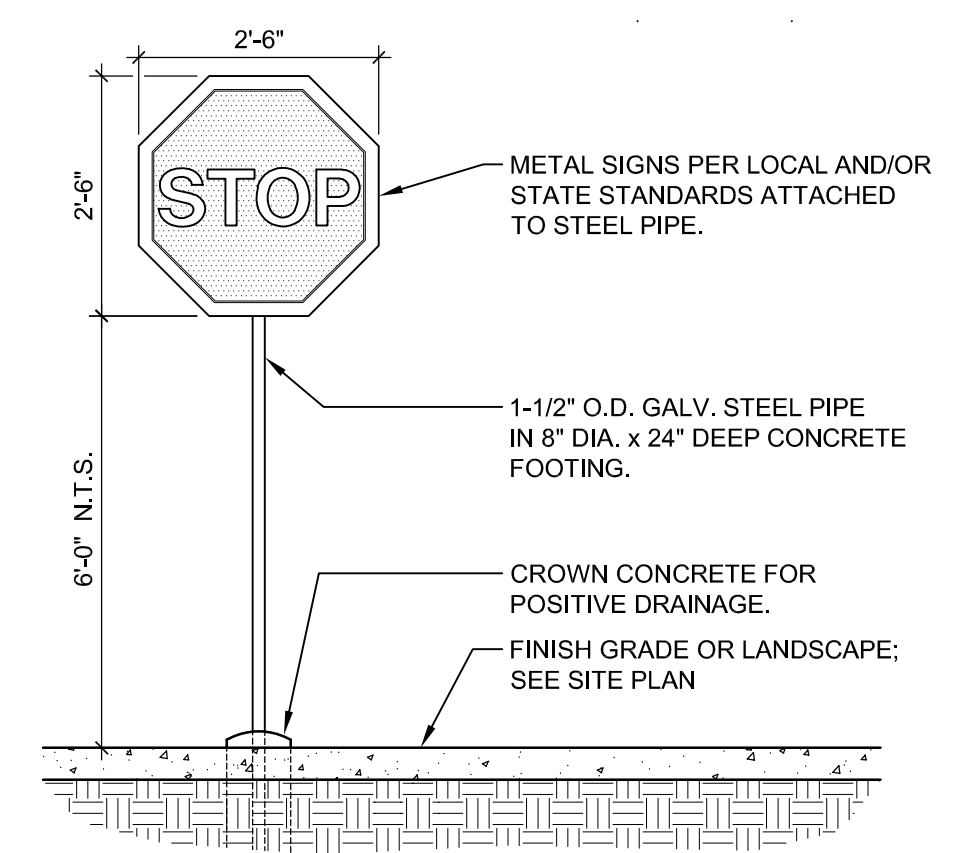
A1 POLE MOUNTED PARKING LOT LIGHT
3/8" = 1'-0"



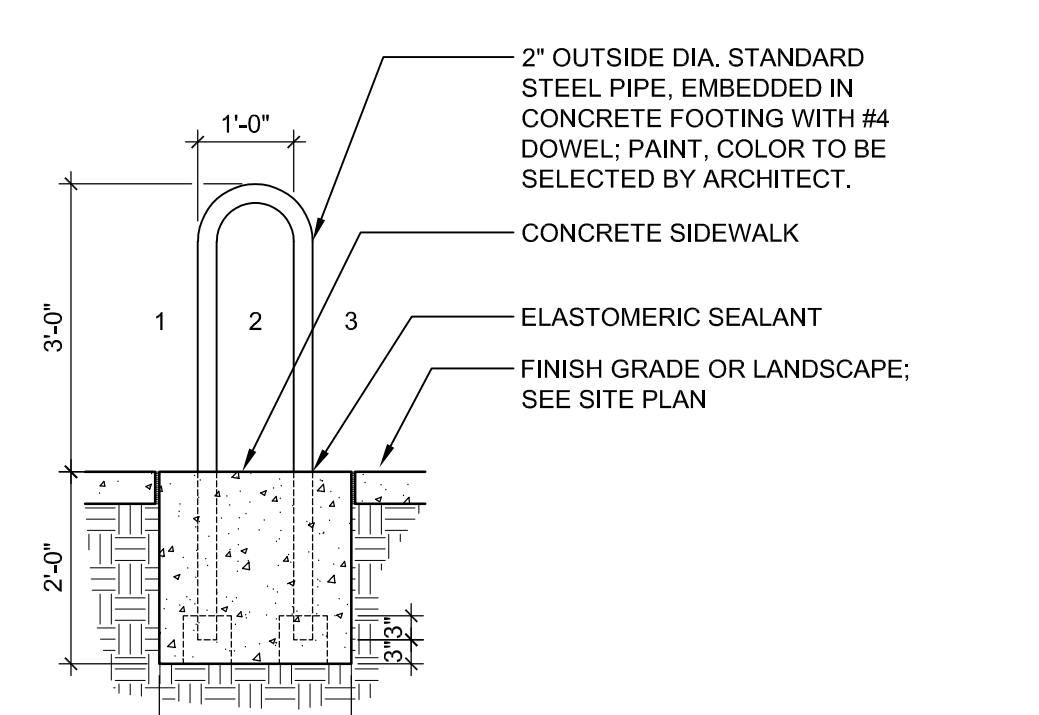
A2 POLE MOUNTED MOTORCYCLE SIGN
1/2" = 1'-0"



A3 POLE MOUNTED H.C. SIGN (VAN)
1/2" = 1'-0"



A4 POLE MOUNTED STOP SIGN
1/2" = 1'-0"



A5 BICYCLE RACK
1/2" = 1'-0"

REVISIONS

△	
△	
△	
△	

DRAWN BY

REVIEWED BY

DATE November 21, 2016

PROJECT NO. 16-0068.001

DRAWING NAME

SITE DETAILS