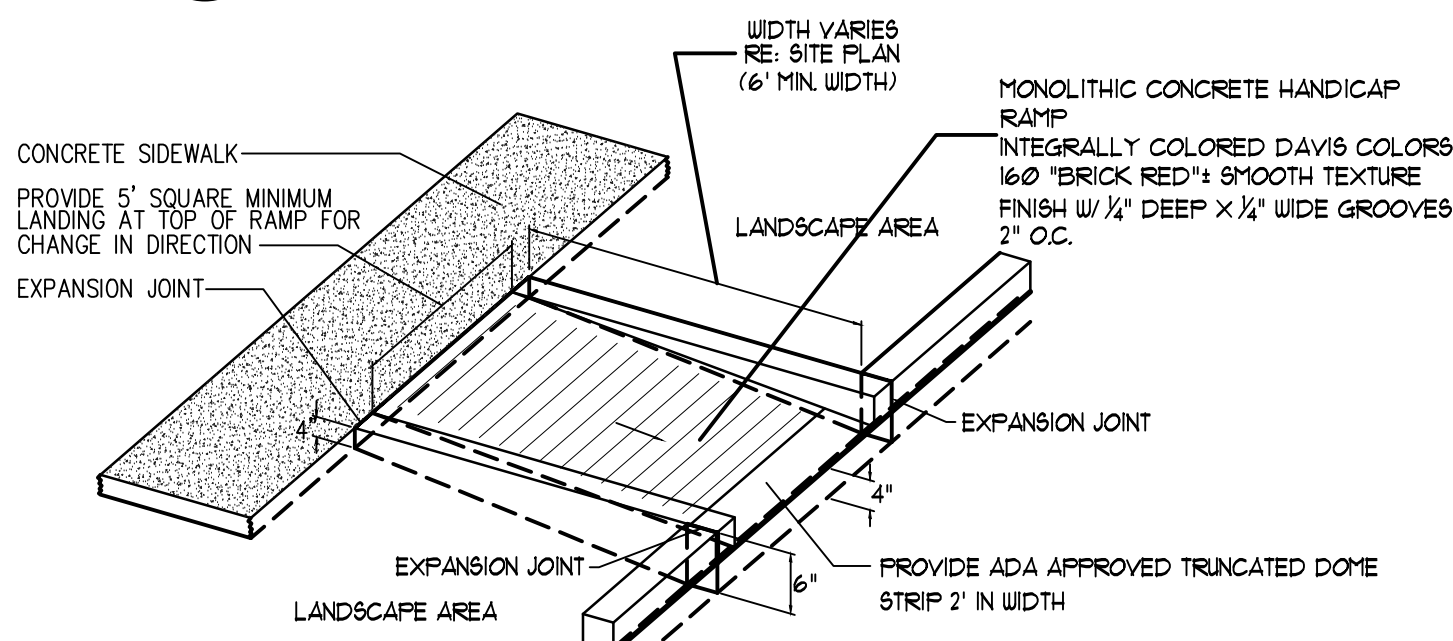
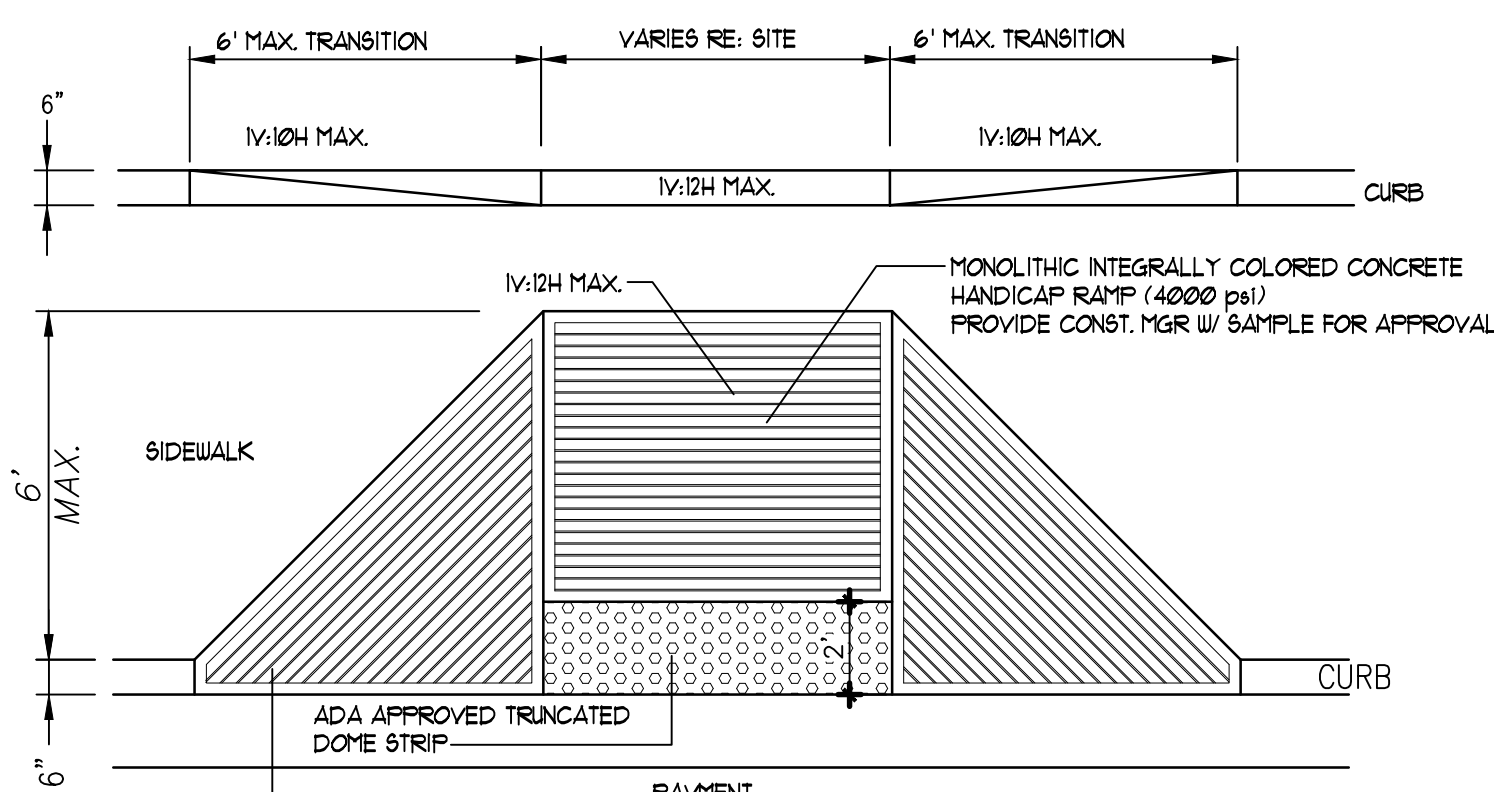


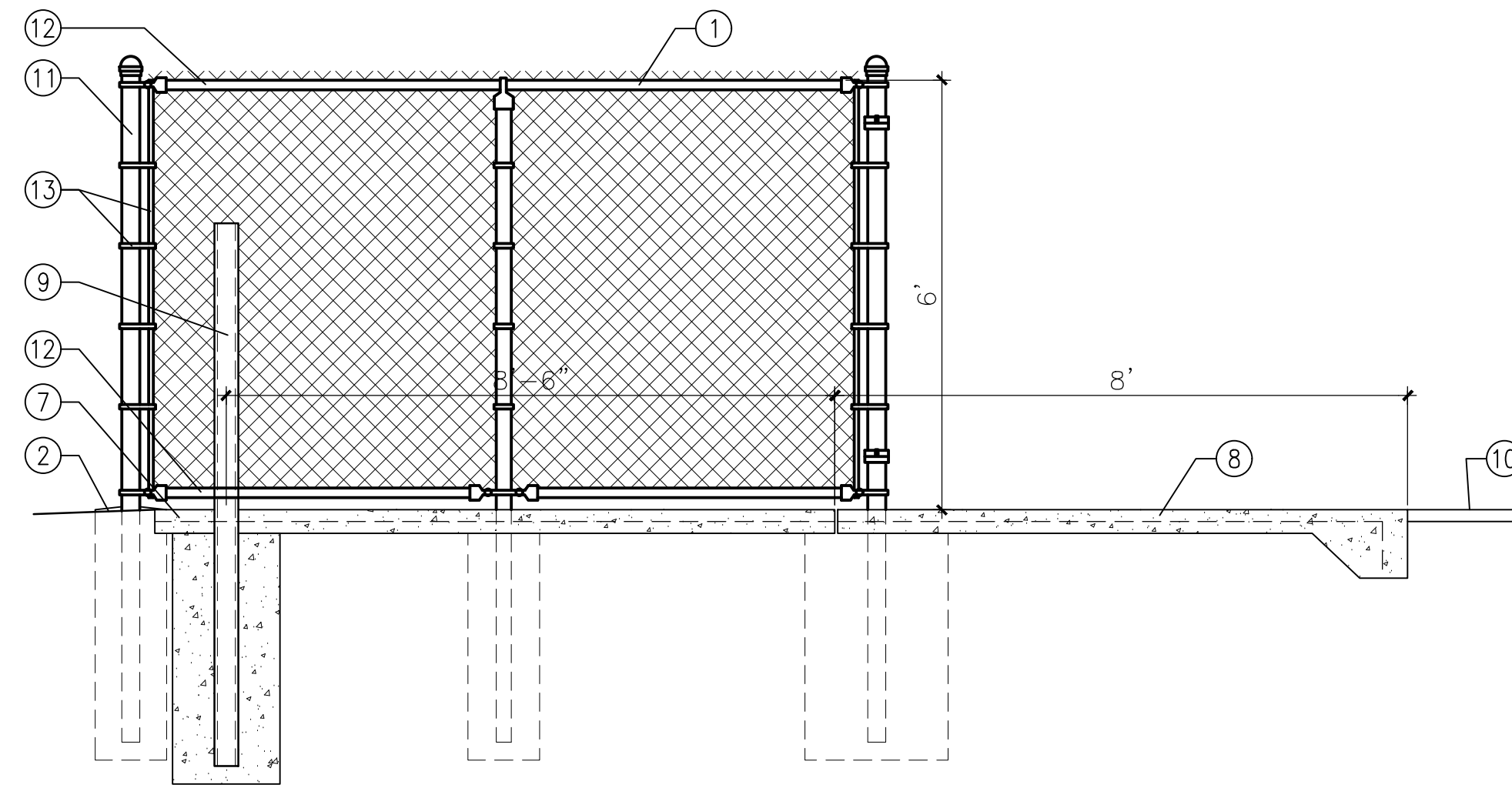
11 TAPERED RAMP DETAIL  
NTS



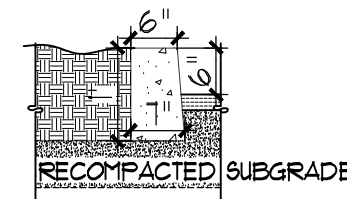
16 CURBED RAMP DETAIL  
NTS



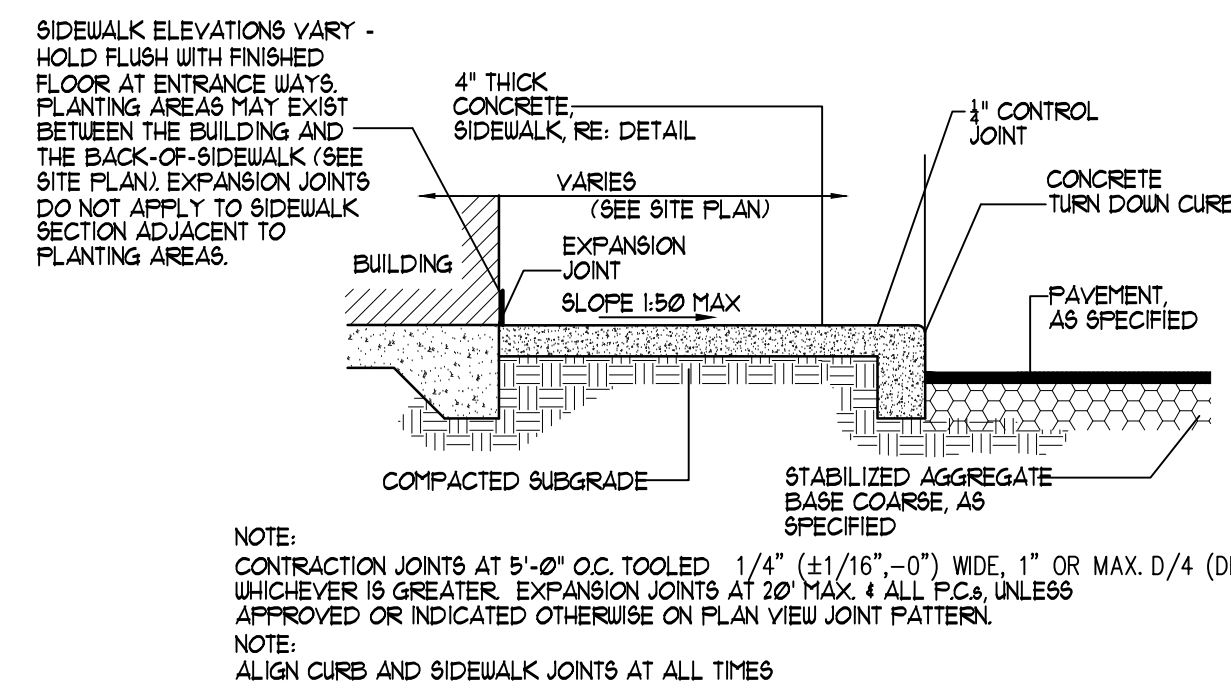
15 FLARED H.C. RAMP  
NTS



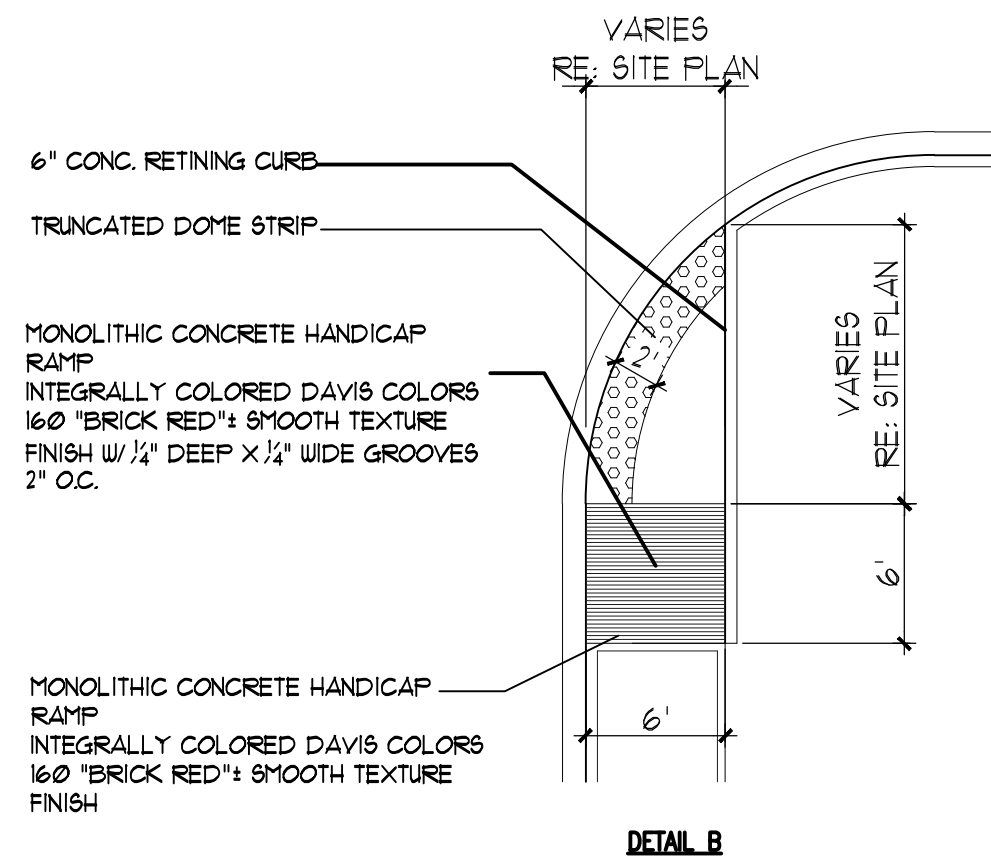
11 DUMPSTER SEC  
Scale: 1/2" = 1'-0"



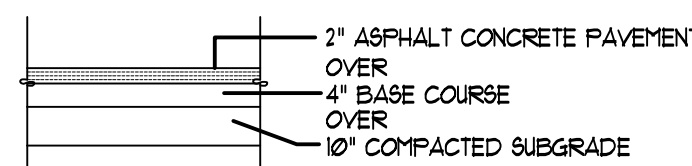
10 HEADER CURB DETAIL  
NTS



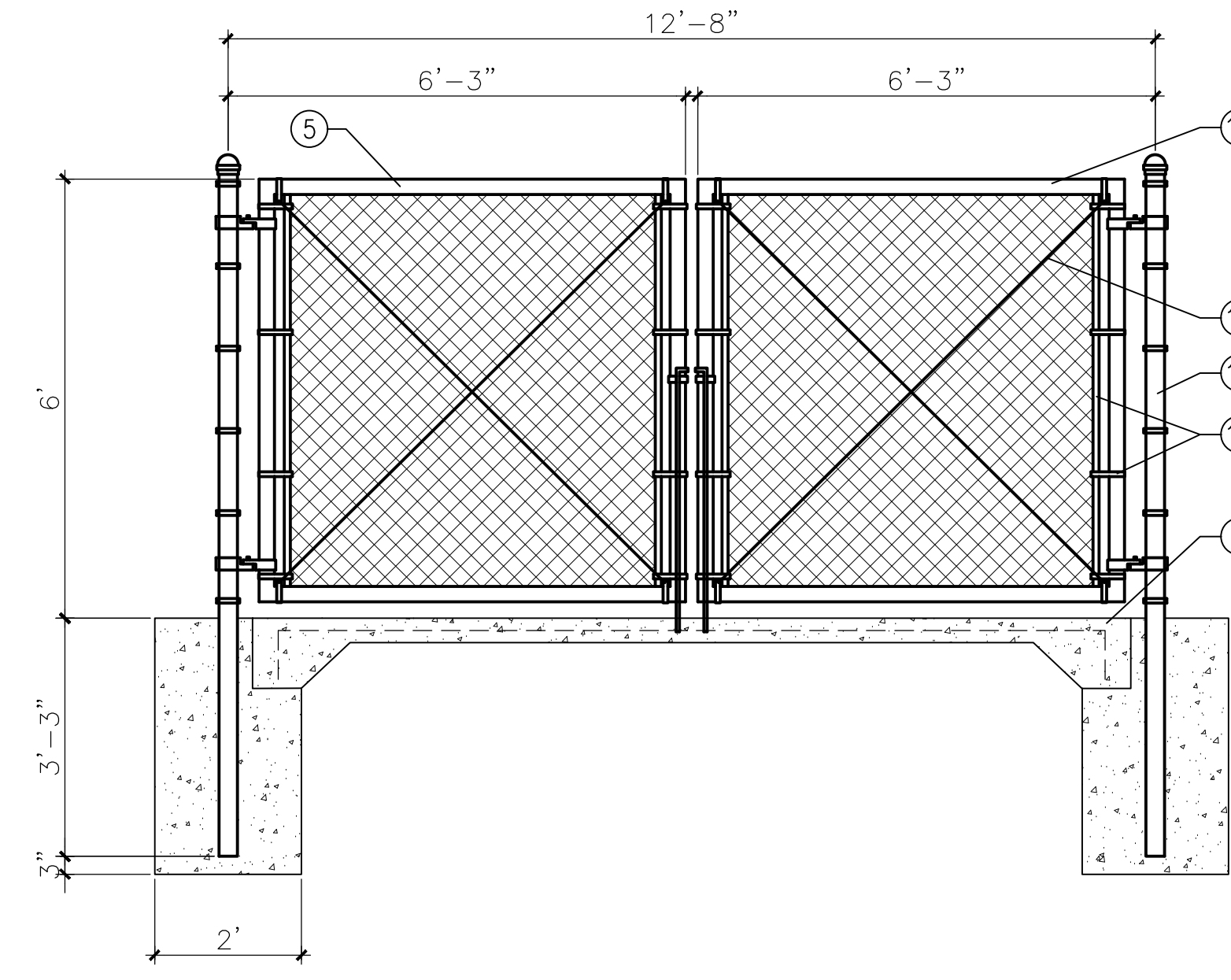
8 SIDEWALK WITH TURNDOWN CURB SEC.  
NTS



5 END ISLAND WITH WALK RAMP  
NTS

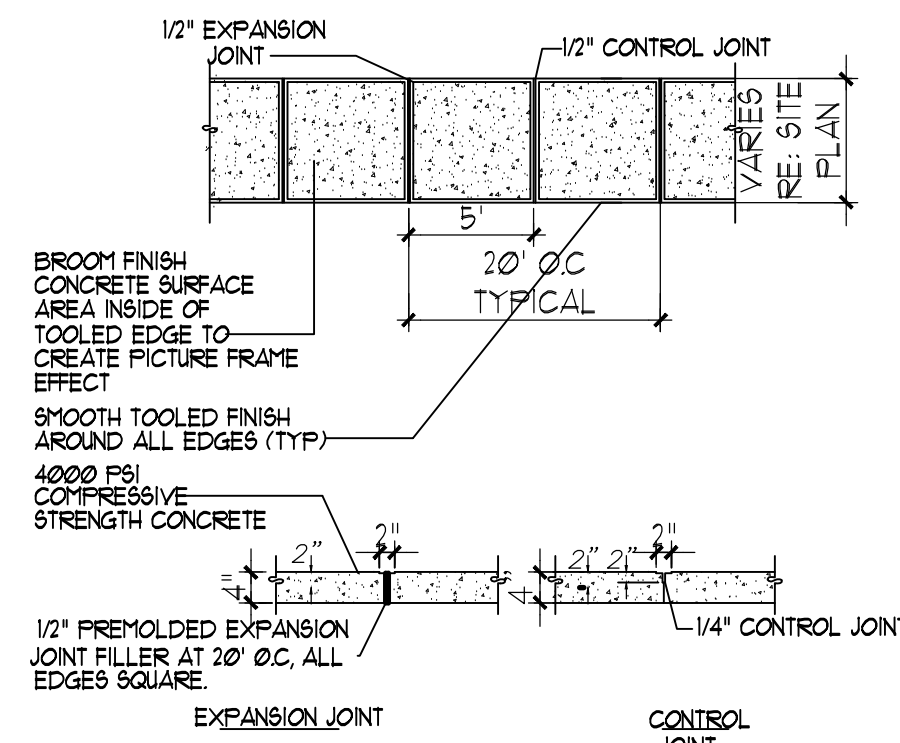


2 LIGHT DUTY ASPHALT SECTION  
NTS

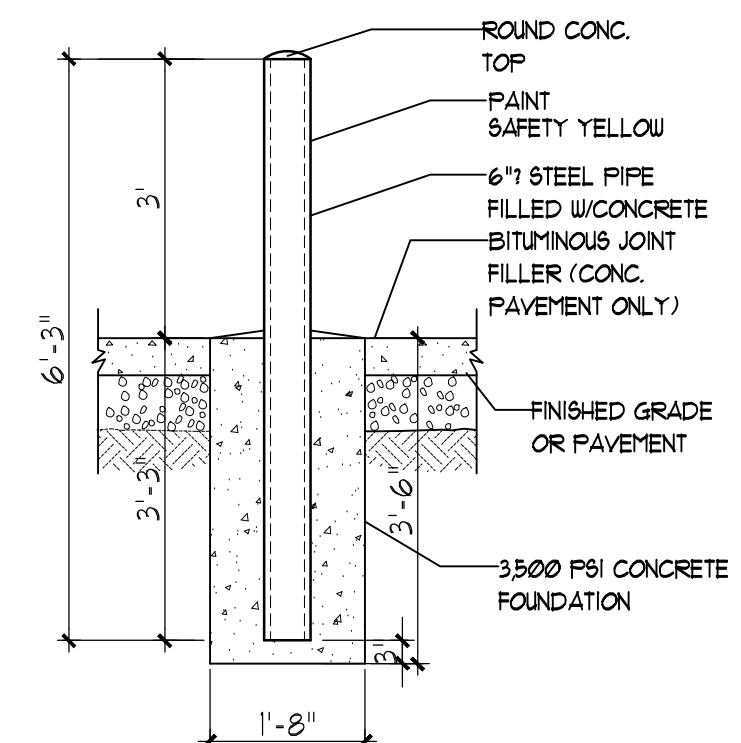


9 GATE ELEV.  
Scale: 1/2" = 1'-0"

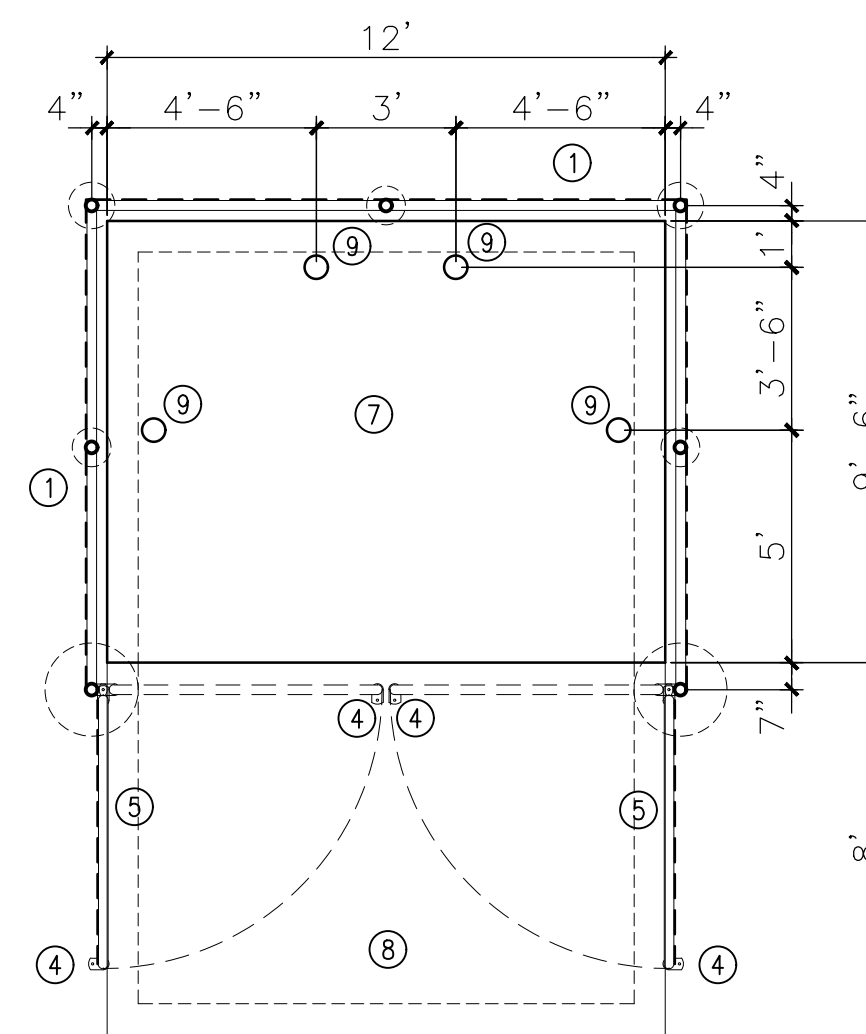
9 NOT USED  
NTS



7 TYPICAL SIDEWALK  
NTS



4 BOLLARD DETAIL  
NTS

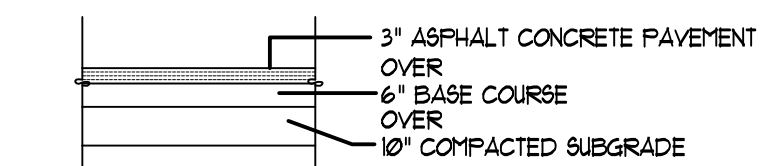


6 DUMPSTER PLAN  
Scale: 1/4" = 1'-0"

KEYED NOTES

- 1 6" HIGH CHAIN LINK FENCE W/ VINYL SLATS - COLOR TO MATCH BUILDING (LIGHT TAN)
- 2 FINISH GRADE.
- 3 SLOPE STUCCO CAP.
- 4 GATE PIN - DRILL HOLE IN CONCRETE PAD TO SECURE PIN IN CLOSED AND 90 DEGREE OPEN POSITIONS.
- 5 6" HIGH CHAIN LINK GATES W/ VINYL SLATS - COLOR TO MATCH BUILDING
- 6 1/2" EXPANSION JOINT MATERIAL
- 7 4" CONCRETE SLAB 4000 PSI 3/4" AGGREGATE WITH 6X6 - 10X10 W.M.
- 8 6" CONCRETE APRON 4000 PSI 3/4" AGGREGATE WITH 6X6 - 10X10 W.M. W/ TURNDOWN EDGE.
- 9 6" CONCRETE FILLED PIPE IN 16" DIA. X 2'-6" DEEP CONC. FOOTING, PAINT TO MATCH BUILDING.
- 10 ASPHALT PAVING
- 11 TERMINAL/GATE POST
- 12 TOP/BOTTOM RAIL
- 13 STRETCHER BAR AND BAR BANDS @ 12" APART
- 14 GATE FRAME
- 15 TRUSS RODS

3 ENCLOSURE NOTES  
Scale: N.T.S.



1 HEAVY DUTY ASPHALT SECTION  
NTS

REV	DATE	BY	REVISION
△			
△			
△			
△			
△			
△			

**MODULUS ARCHITECTS**  
 220 COPPER AVE. N.W. SUITE 350  
 ALBUQUERQUE, NEW MEXICO 87102  
 PHONE (505) 338-1499 FAX (505) 338-1498

PROJECT TITLE: WEST CENTRAL PLAZA - PROP. ADDITION  
 4088 CENTRAL AVE. SW  
 ALBUQUERQUE NEW MEXICO

PROJECT MANAGER: STEPHEN DUNBAR  
 JOB NO.: K-AT

DRAWN BY: CRAIG C

SHEET TITLE: SITE DETAILS

DATE: 3/28/16  
 SCALE: AS NOTED

sheet: 6  
 of: 7