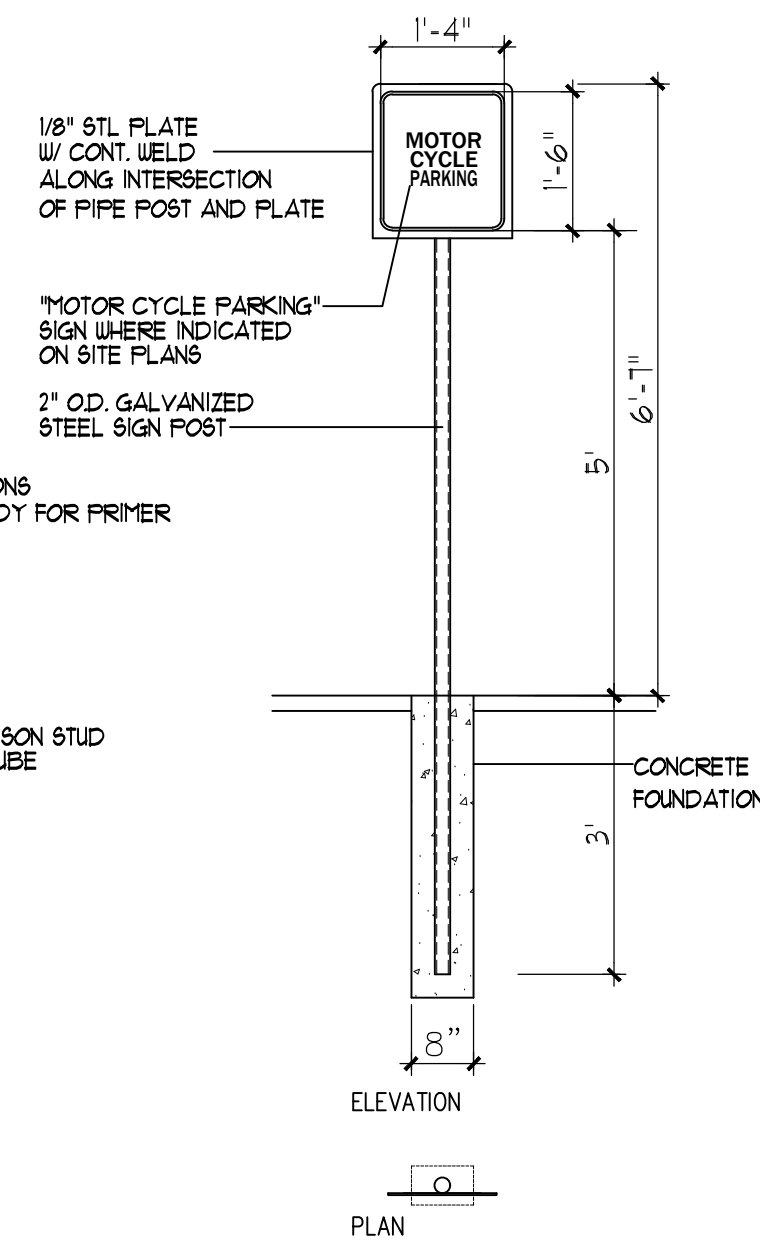
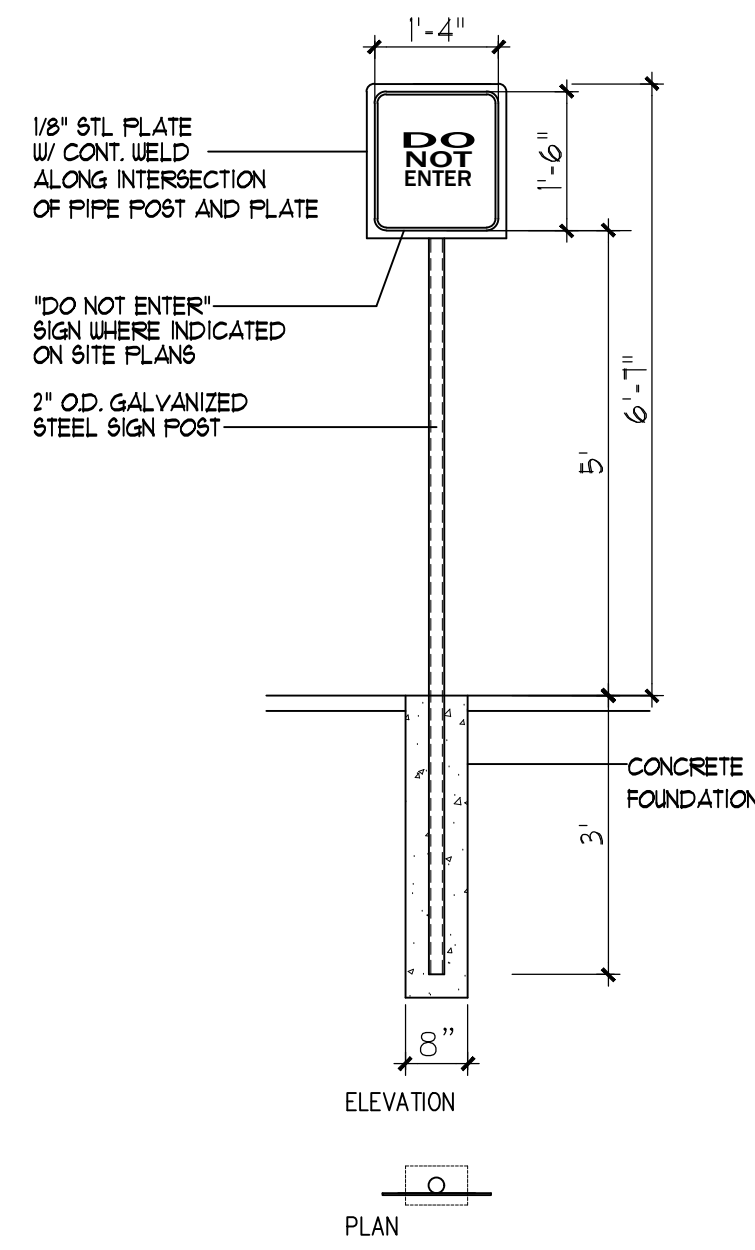


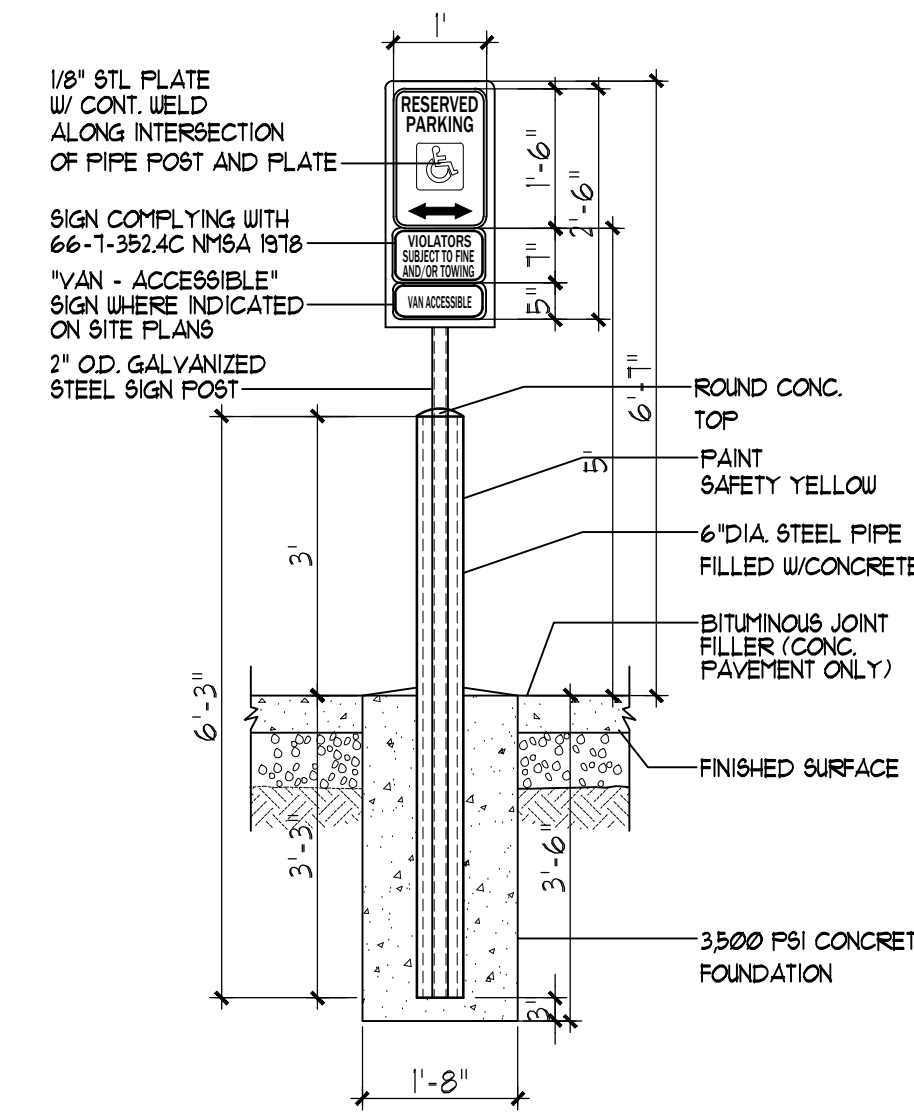
13 BIKE RACK
NTS



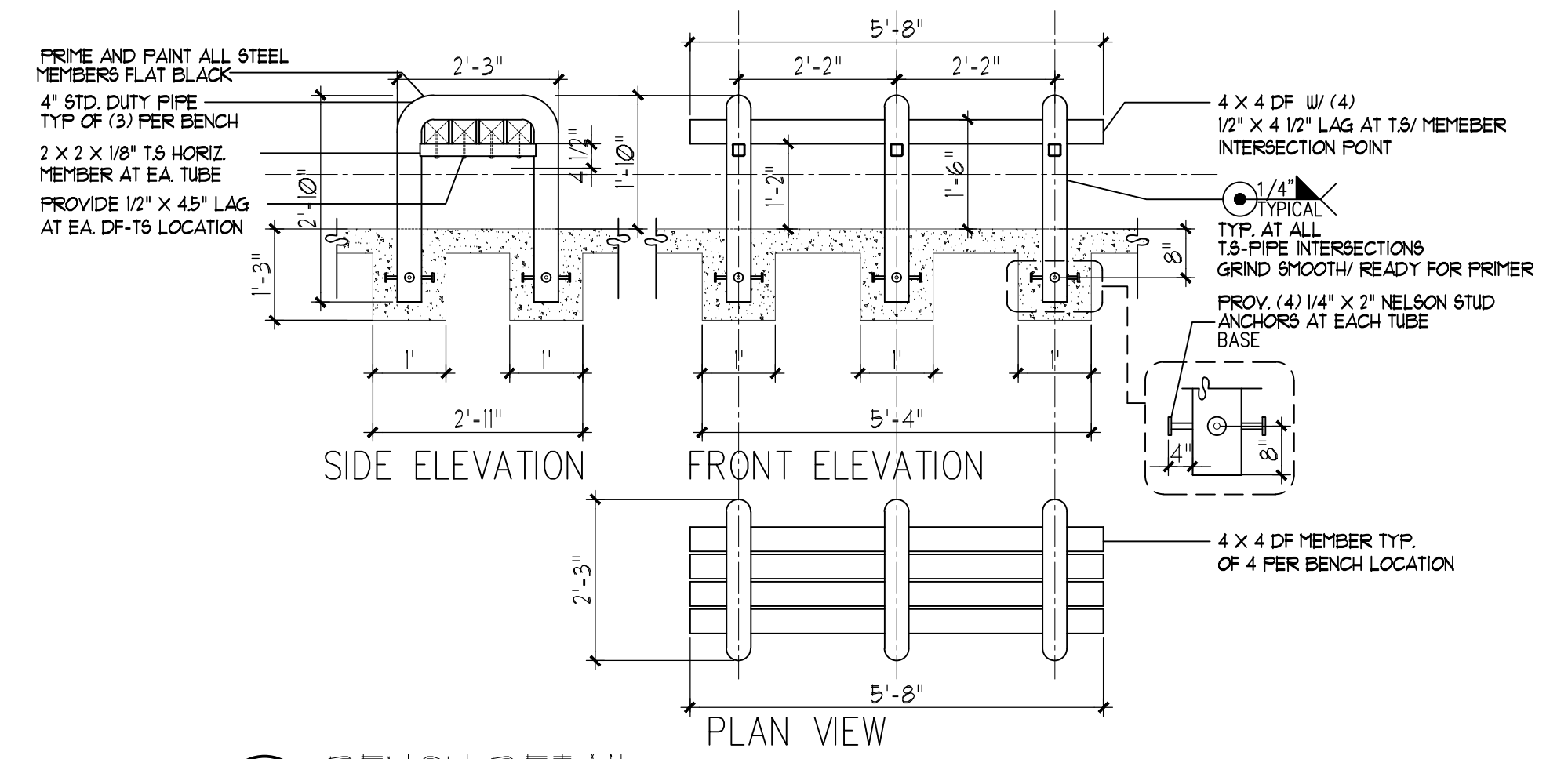
12 MISC. SIGNAGE
NTS



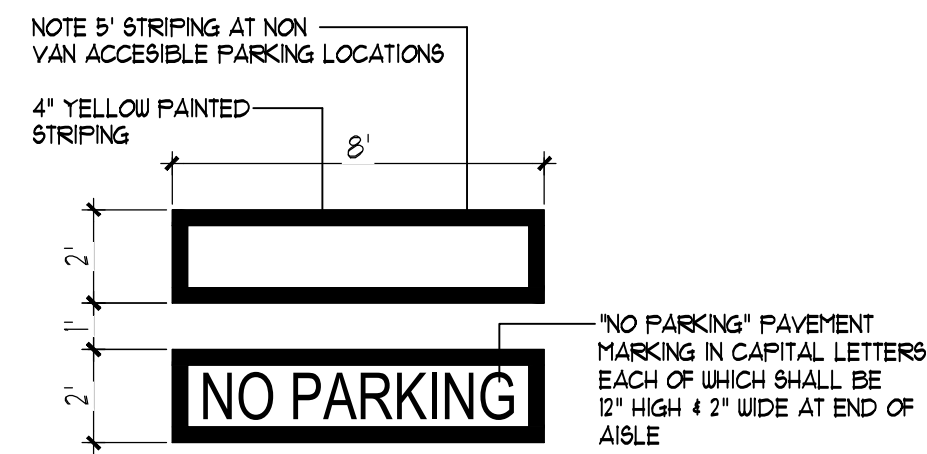
12A MISC. SIGNAGE
NTS



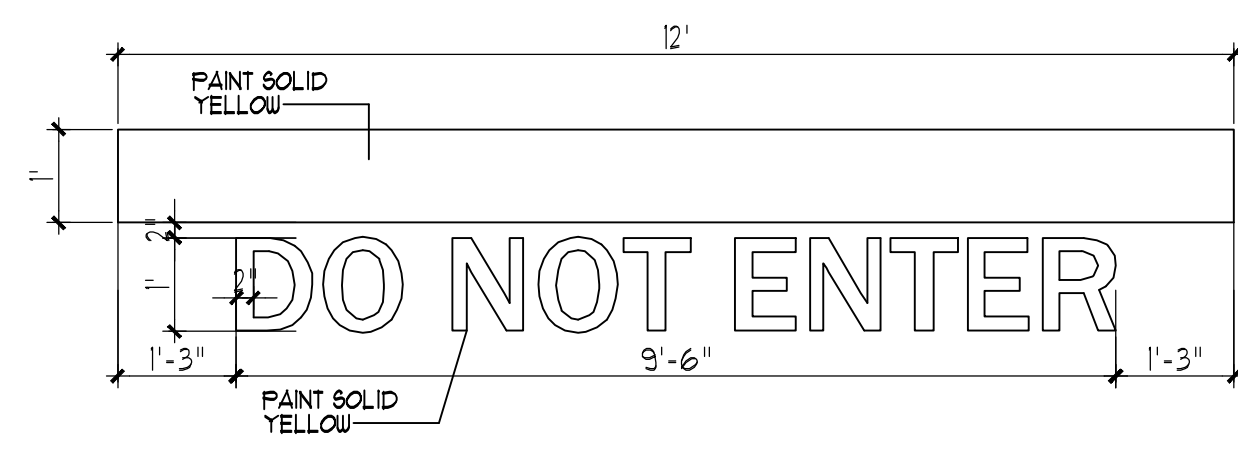
11 H.C. SIGNAGE
NTS



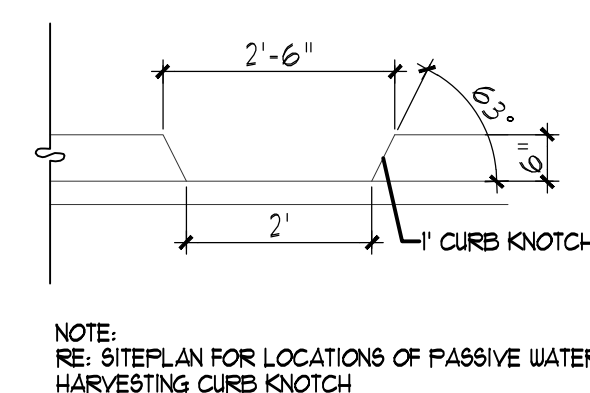
10 BENCH DETAIL
NTS



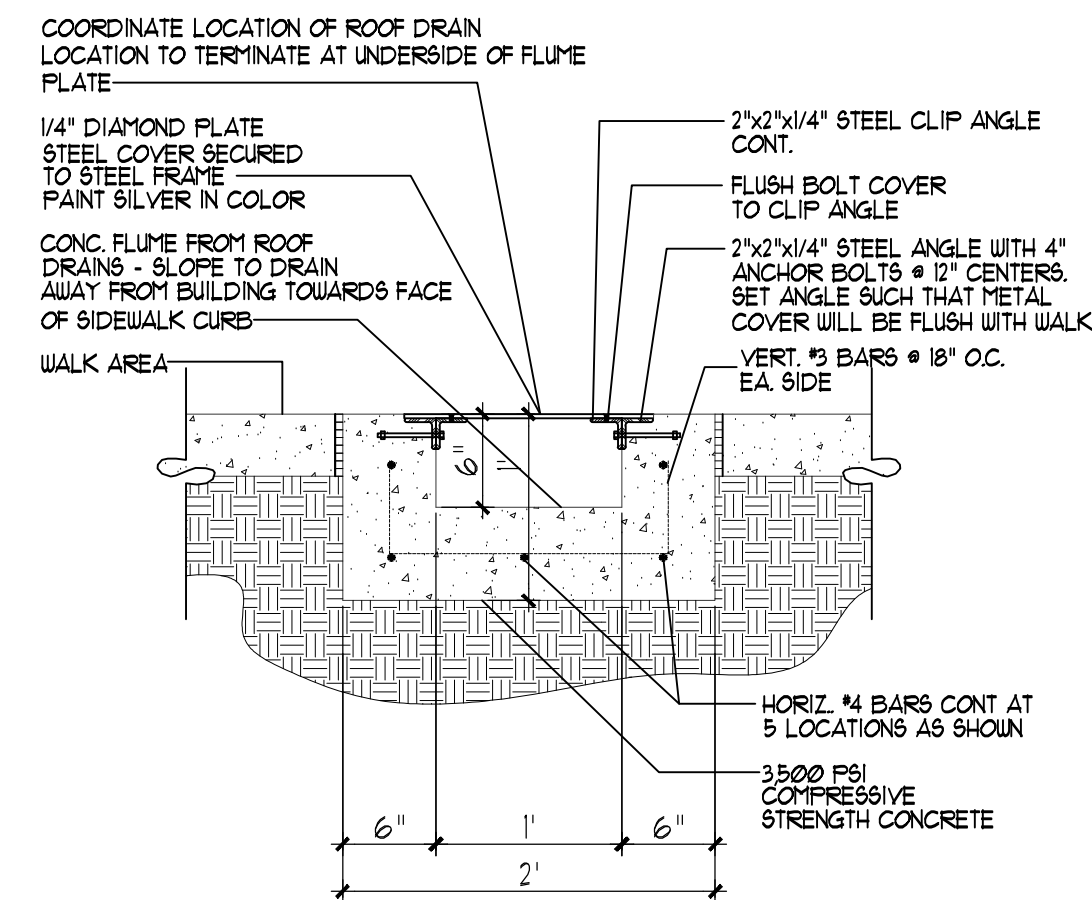
9 H.C. PARKING AISLE PAINT DETAIL
NTS



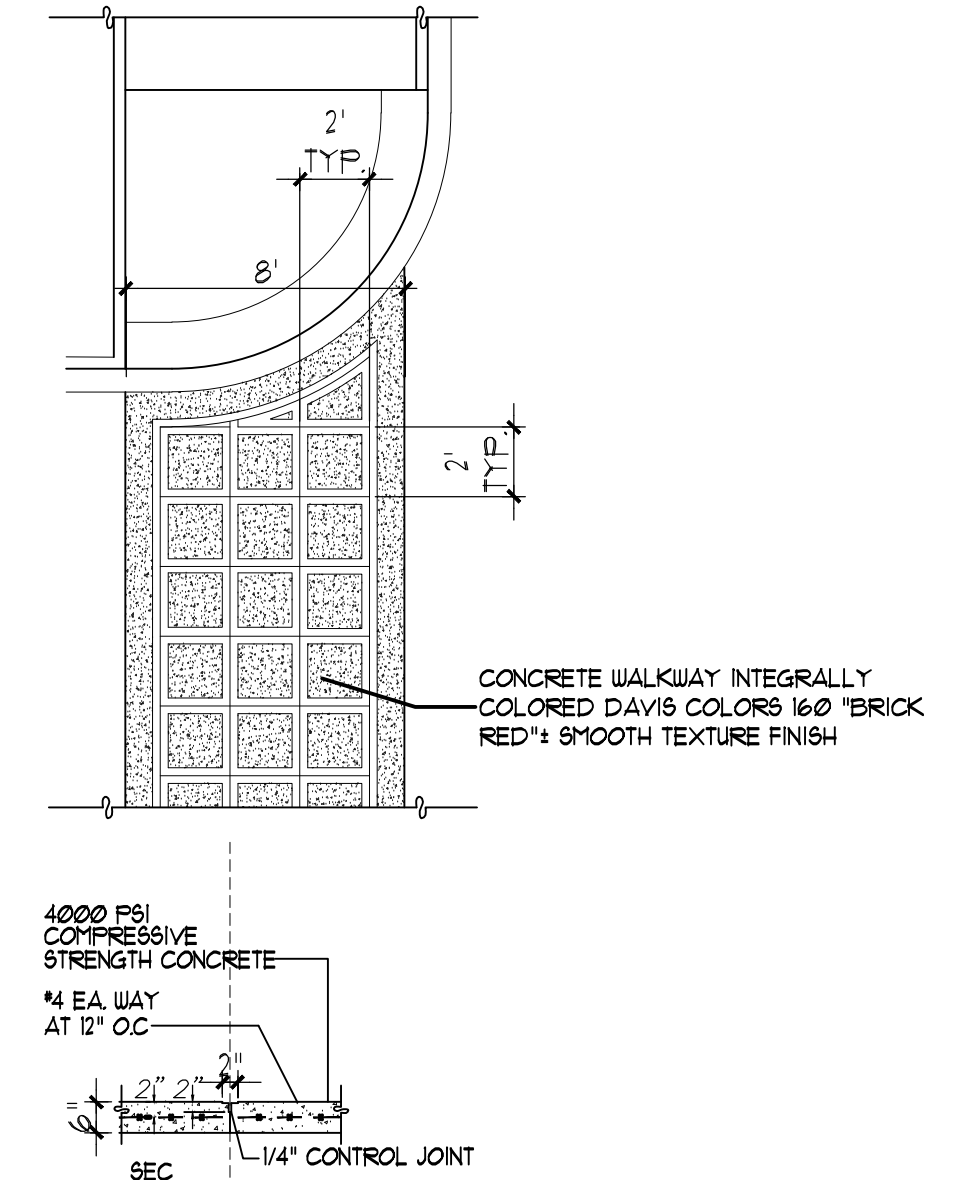
8 SITE DIRECTIONAL PAINT DETAIL
NTS



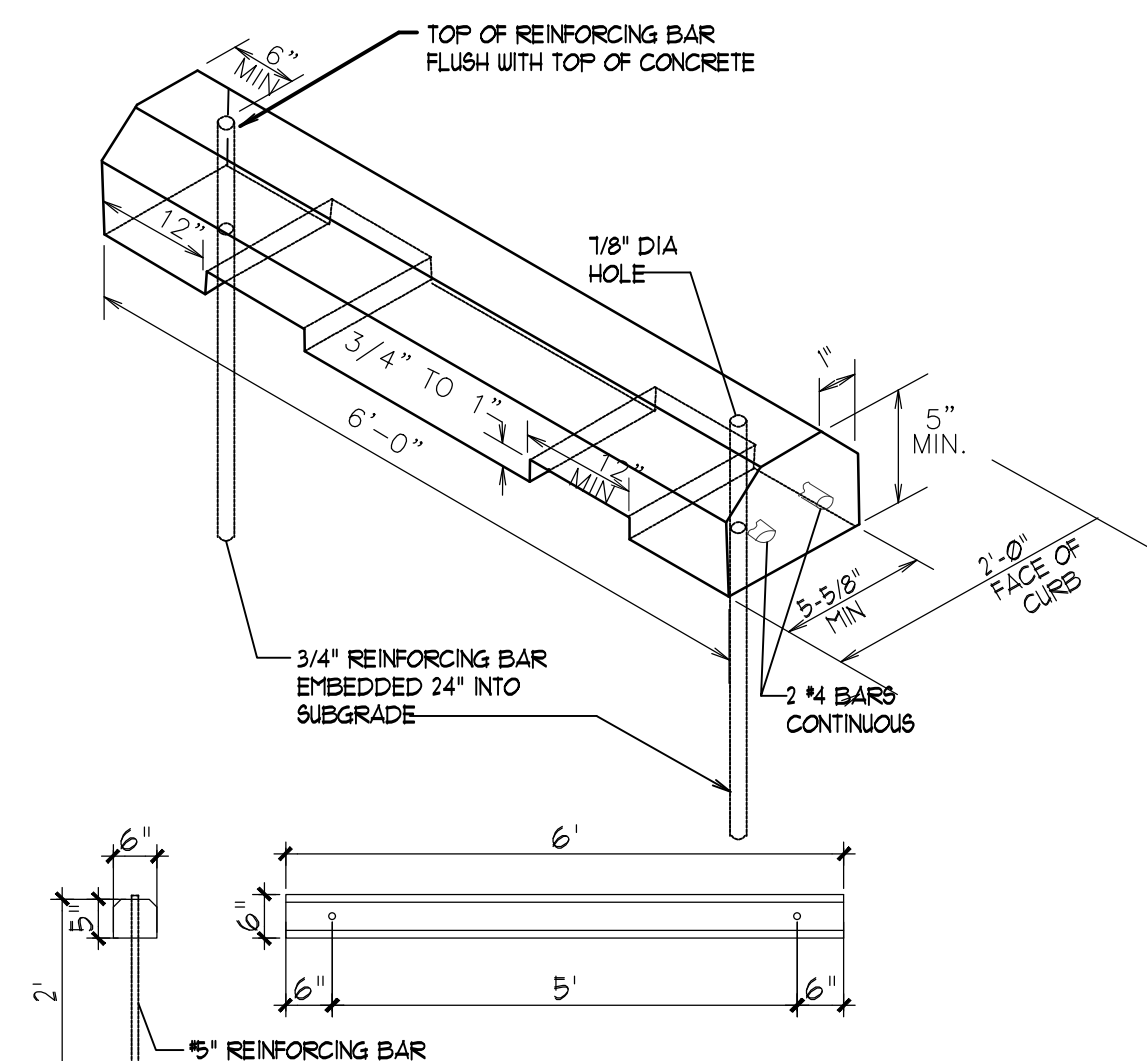
7 CURB NOTCH
NTS



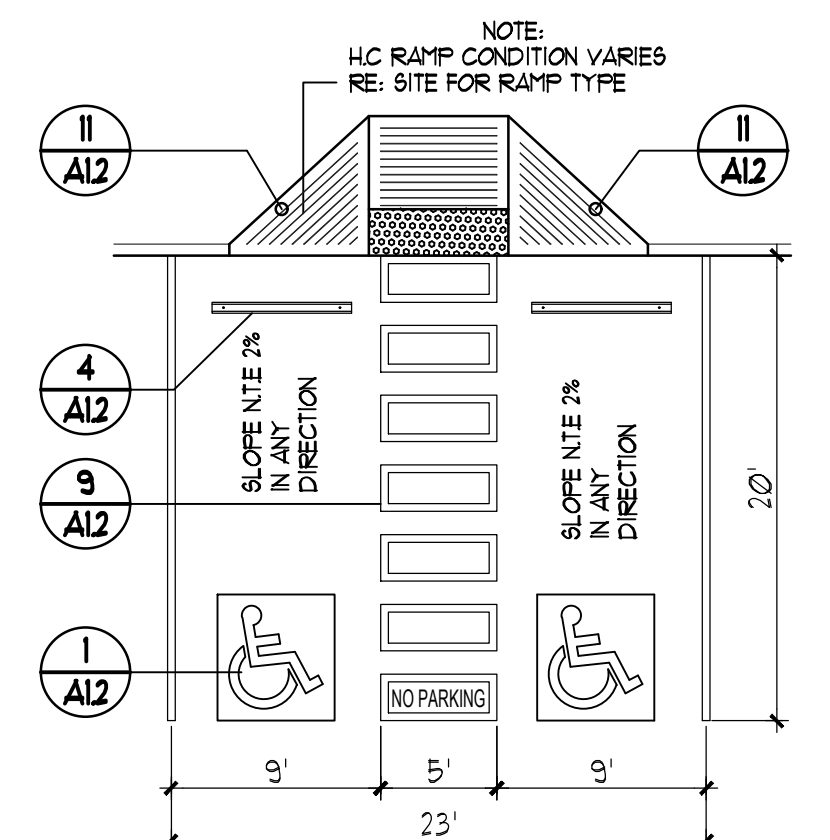
6 CONCRETE FLUME DETAIL
NTS



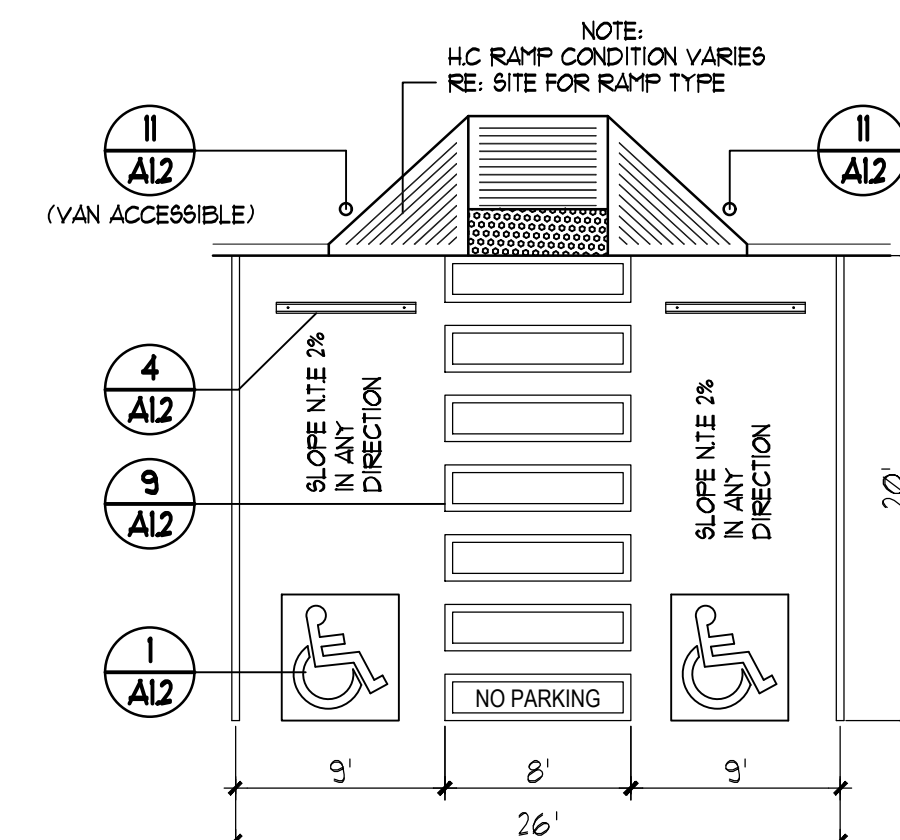
5 TYPICAL CONCRETE CROSSWALK
NTS



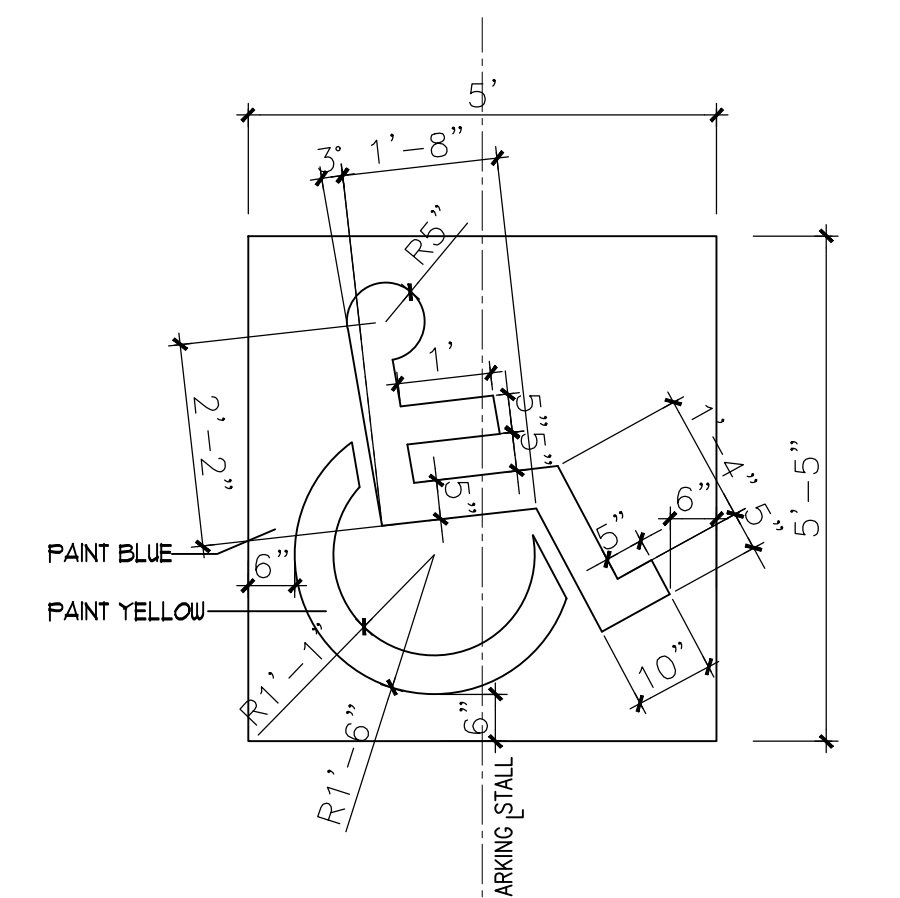
4 WHEEL STOP
NTS



3 H.C. PARKING PLAN DETAIL
NTS



2 H.C. PARKING PLAN DETAIL (VAN ACCESSIBLE)
NTS



1 H.C. SIGNAGE
NTS

MODULUS ARCHITECTS
220 COPPER AVE. N.W. SUITE 350
ALBUQUERQUE, NEW MEXICO 87102
PHONE (505) 338-1499 FAX (505) 338-1498

PROJECT TITLE: WEST CENTRAL PLAZA - PROP. ADDITION
4088 CENTRAL AVE. SUJ
ALBUQUERQUE NEW MEXICO

PROJECT MANAGER: STEPHEN DUNBAR
JOB NO.: K-AT

DRAWN BY: CRAIG C

SHEET TITLE: SITE DETAILS

DATE: 3/28/16
SCALE: AS NOTED

sheet: 7
SD2
7

REV	DATE	BY	REVISION
A			
B			
C	08/03/2016	CDC	DRB COMMENT REVISIONS
D	06/23/2016	CDC	VERSION 3 (V2)
E	04/16/16	CDC	VERSION 2 (V2)