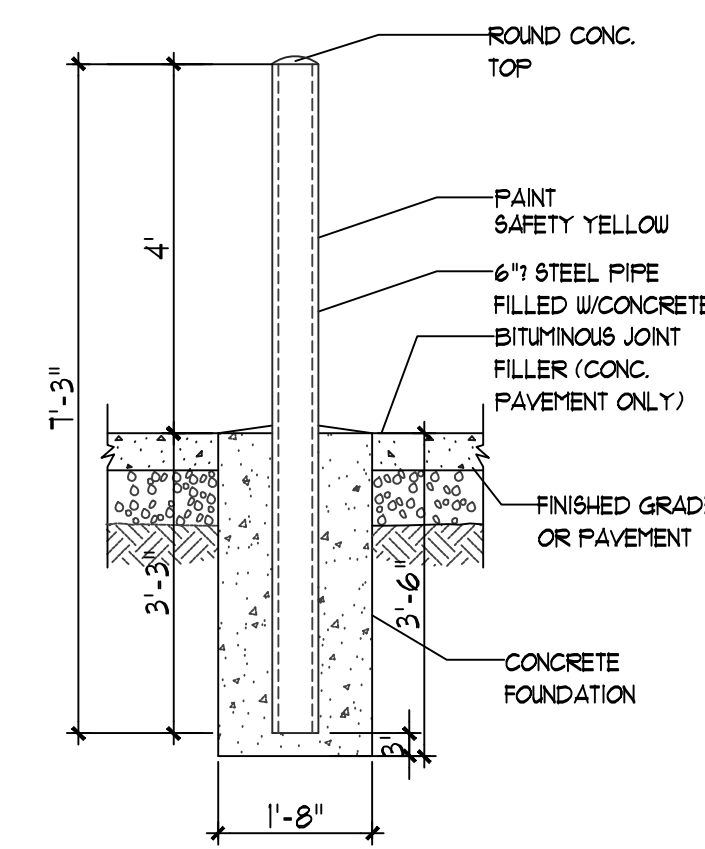
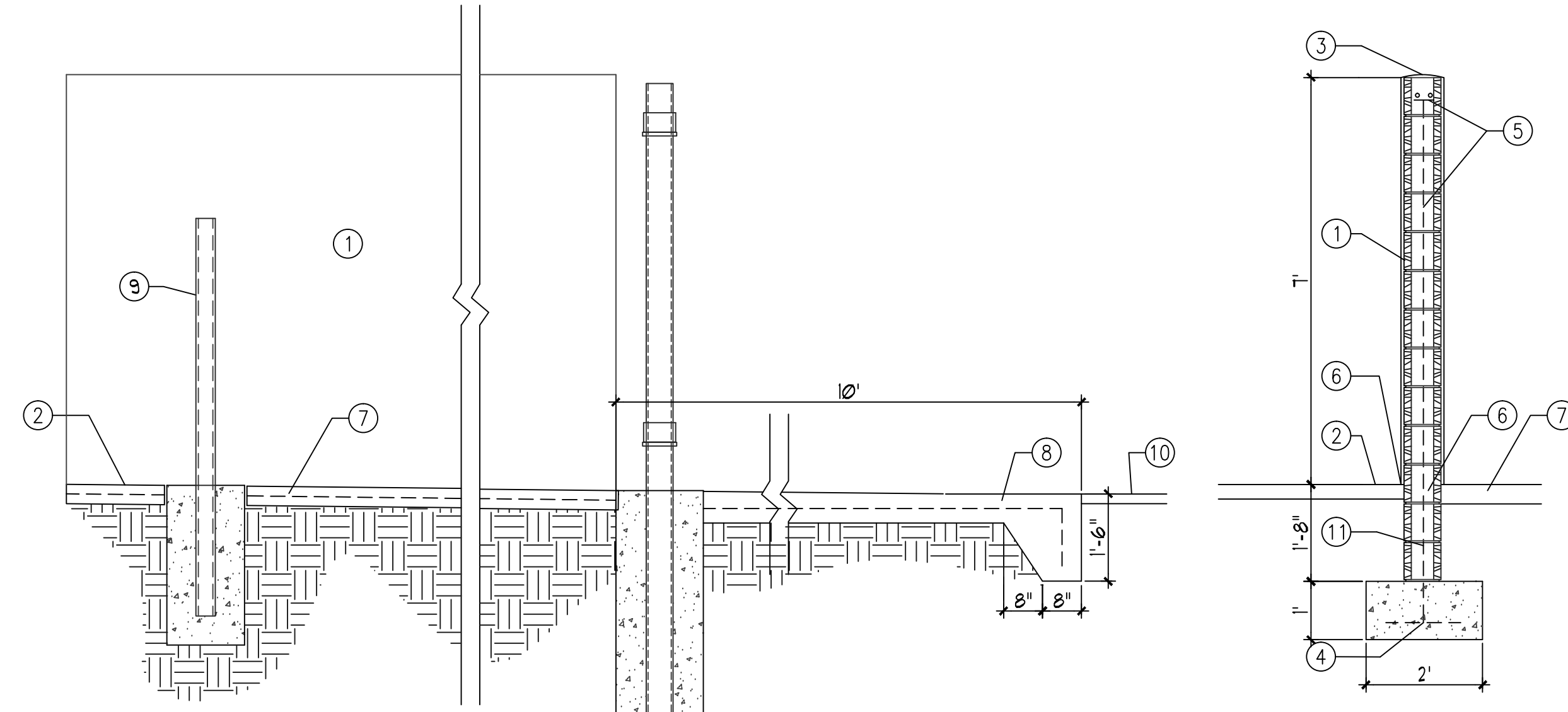


12 PATIO KNEE WALL DETAIL
NT.S

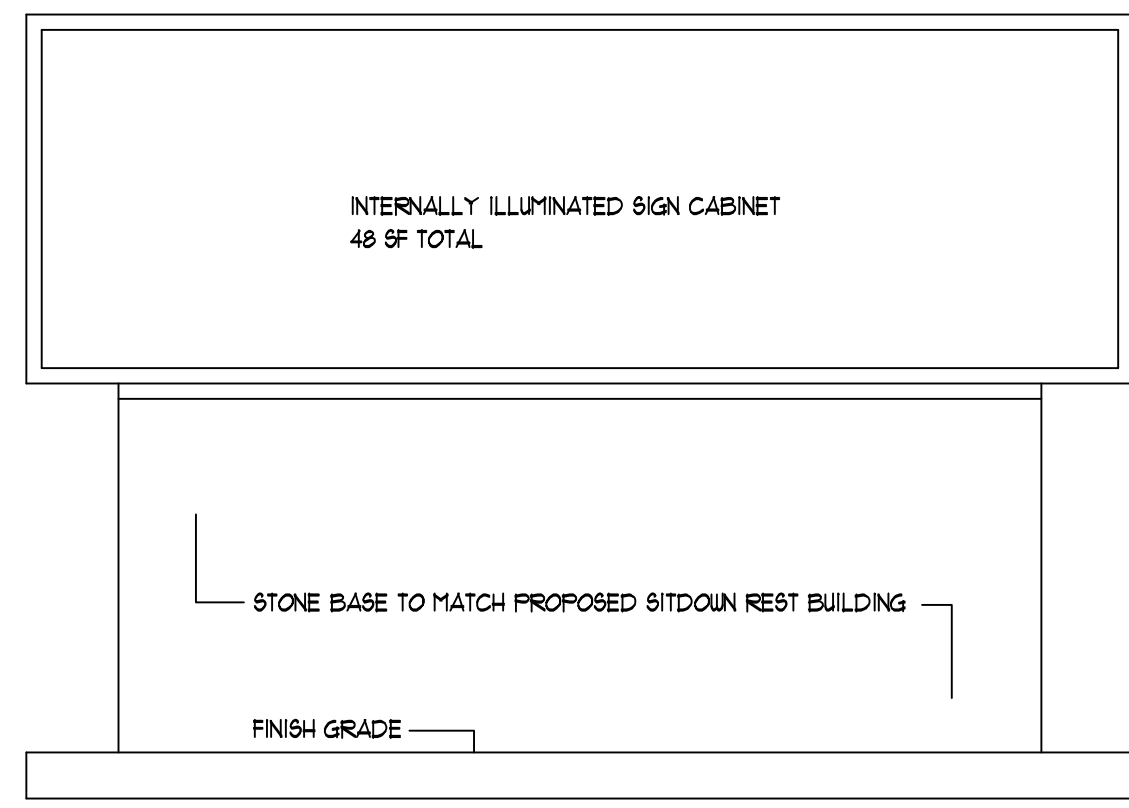


1 BOLLARD DETAIL
NT.S

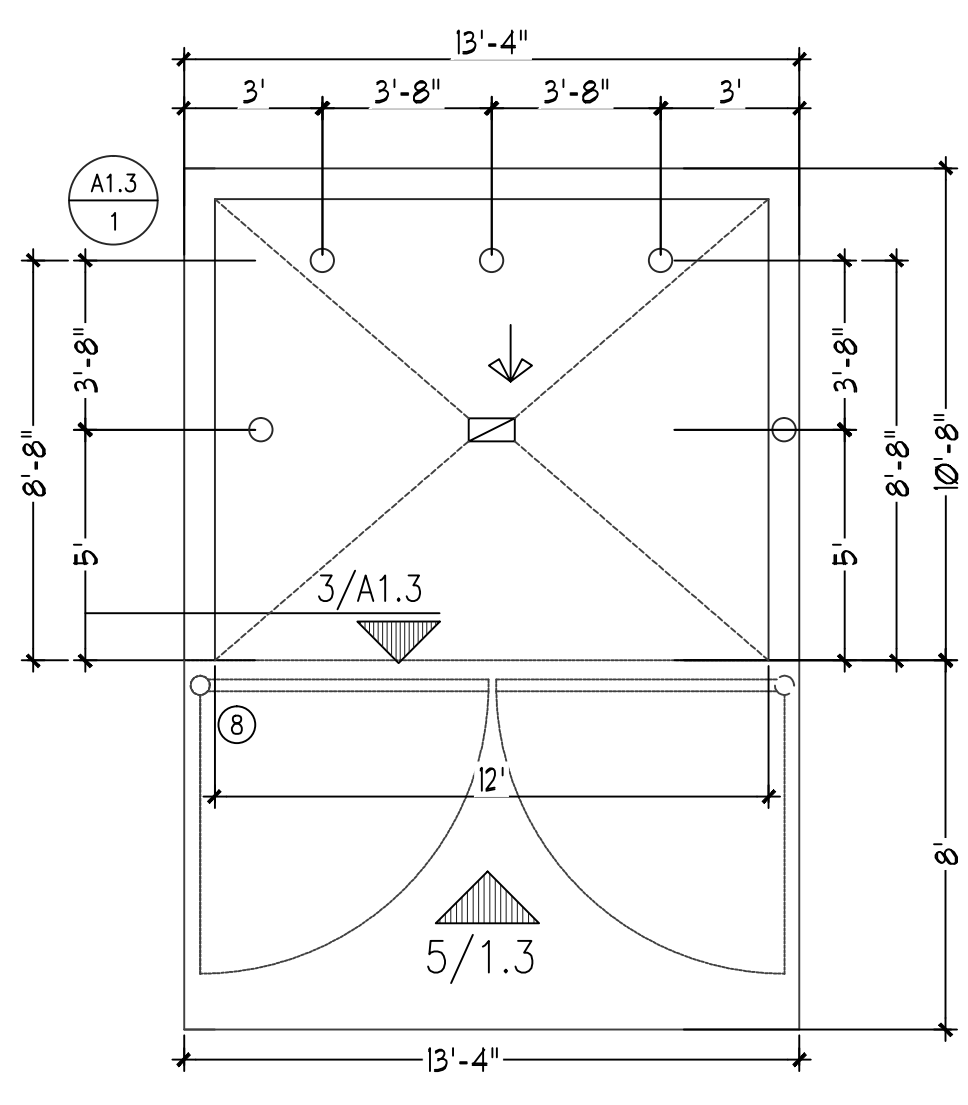


2 DUMPSTER SEC.
NT.S

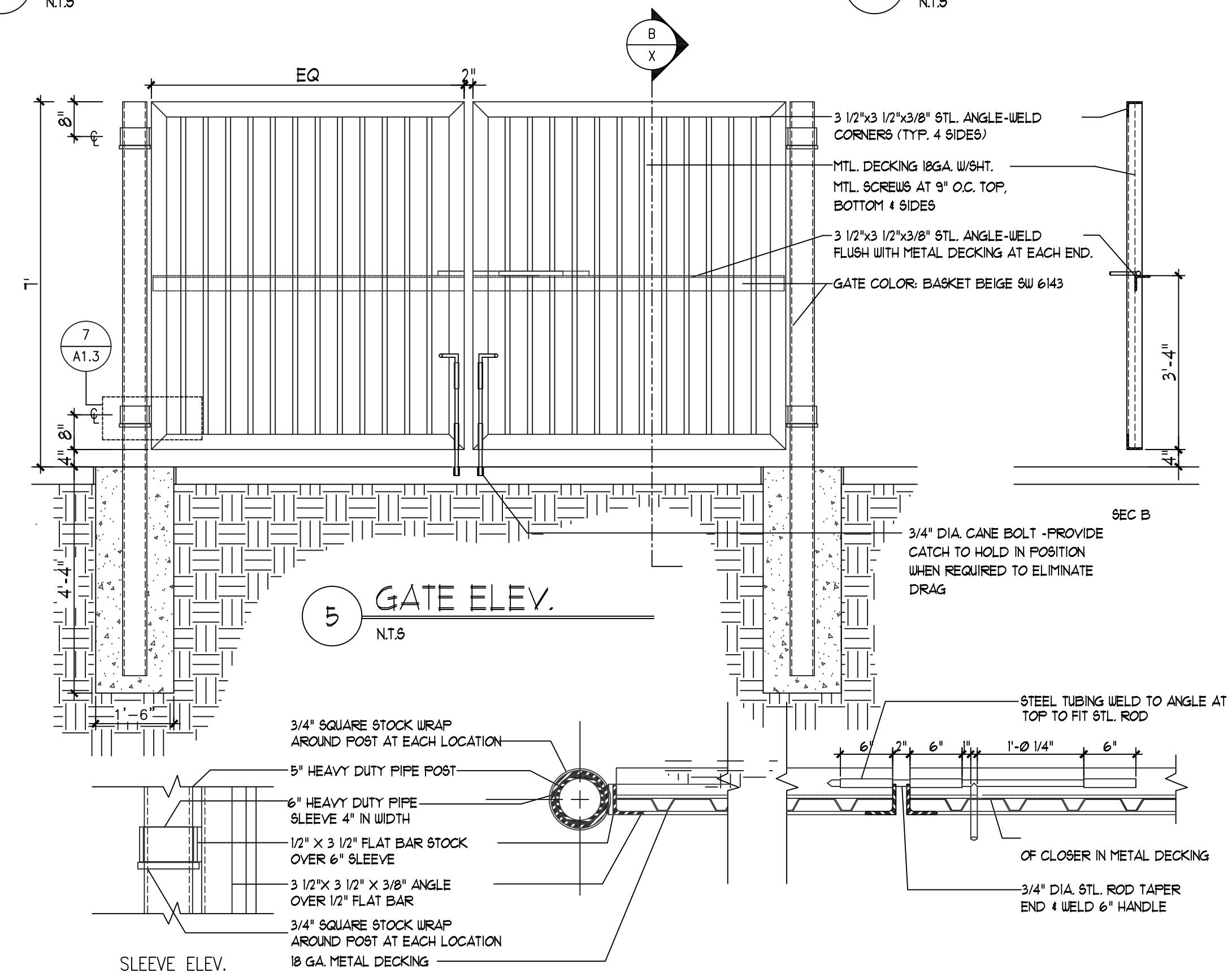
3 DUMPSTER SEC.
NT.S



8 MONUMENT SIGN LOCATION
NT.S

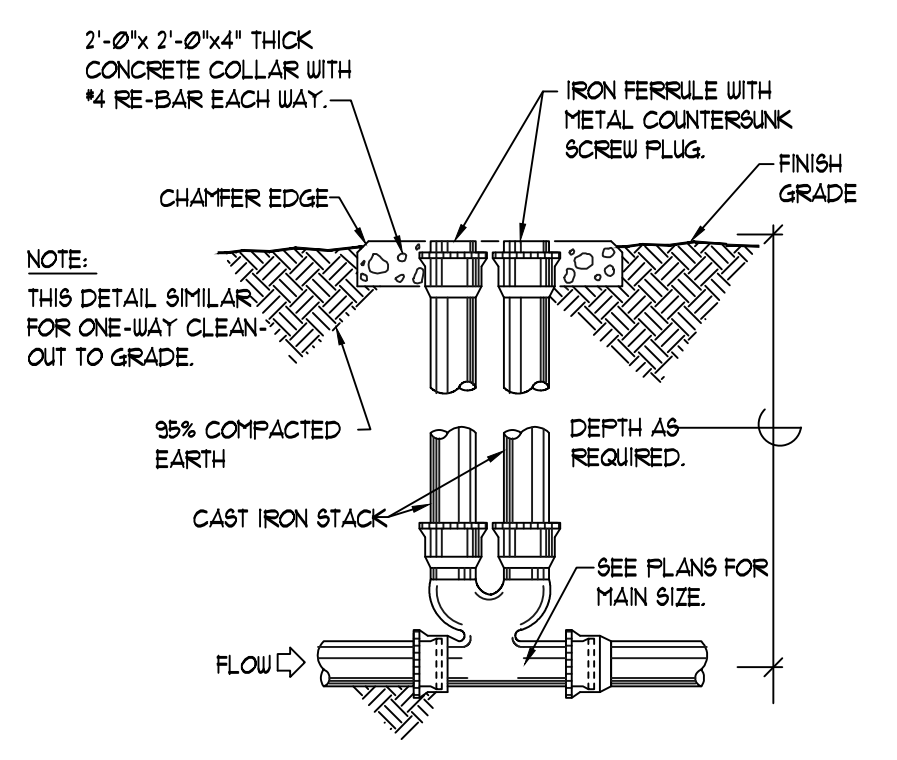


4 DUMPSTER PLAN
NT.S

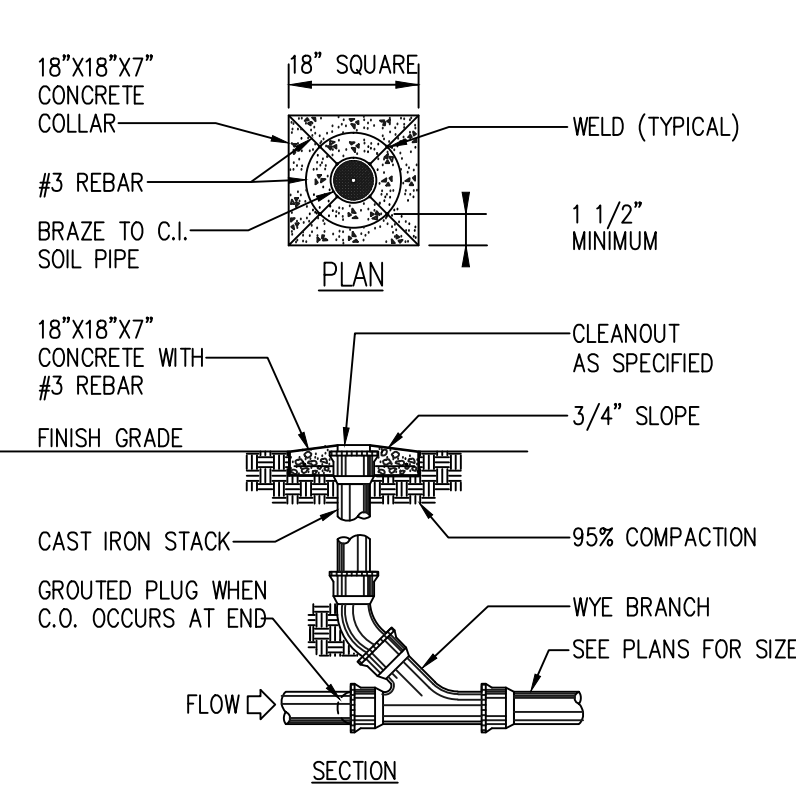


5 GATE ELEV.
NT.S

7 GATE POST/SLIDE BOLT DETAIL
NT.S



8A 2 WAY CLEANOUT DETAIL
NT.S



8 CLEANOUT DETAIL
NT.S

- KEYED NOTES**
- 1 8" CMU WALL WITH 2 COAT SYN. STUCCO SYSTEM. COLOR: BASKET BEIGE SW 6143
 - 2 FINISH GRADE.
 - 3 SLOPE STUCCO CAP.
 - 4 4-4 BARS CONT. @ BOTTOM OF FOOTING #4 @ 16" O.C. ACROSS BOTTOM OF FOOTING.
 - 5 2-15 BARS @ TOP KNOCK-OUT BLOCK BOND BEAM. CONTINUOUS. 15 BARS @ 32" O.C. VERTICAL. GROUT REINFORCED CELLS. DURAWALL @ 16" O.C. HORIZONTAL.
 - 6 1/2" EXPANSION JOINT MATERIAL
 - 7 4" CONCRETE SLAB 4000 PSI 3/4" AGGREGATE WITH 6x6 - 10x10 W/M.
 - 8 6" CONCRETE APRON 4000 PSI 3/4" AGGREGATE WITH 6x6 - 10x10 W/M W/ TURNDOWN EDGE.
 - 9 6" CONCRETE FILLED PIPE IN 16" DIA. X 2'-6" DEEP CONC. FOOTING. PAINT TO MATCH STUCCO FINISH.
 - 10 ASPHALT PAVING
 - 11 GROUT ALL CELLS SOLID BELOW GRADE. TYPICAL.
 - 12 2" VENT TO 46" ABOVE TOP OF ENCLOSURE WALL. PROVIDE BREATHABLE VENT CAP.
 - 13 CLEAN OUT RE. DET. 8/SD3 FOR INFO
 - 14 CATCH BASIN ZURN Z-891 6" X 20" SAN-FLO CATCH BASIN. FABRICATED 1/4" GAGE TYPE 304 STAINLESS STEEL. BASIN WITH BOLTED FLANGED CONNECTION. COMPLETE WITH FLANGE GASKET. PROVIDE SPECIAL DUTY, CLASS "E" Z-882-PGE DUCTILE IRON SLOTTED GRATE, AND SEDIMENT BASKET.
 - 15 GREASE INTERCEPTOR ZURN I110E 600 (RE: DETAIL 9/SD3) 75 GPM FLOW RATE, 50 LB CAPACITY. WITH INTERNAL AIR RELIEF BYPASS, BRONZE CLEANOUT PLUG, VISIBLE DOUBLE WALL TRAP SEAL WITH REMOVABLE DIFFUSING BAFFLE AND SEDIMENT TRAY. FURNISH WITH Z-1108 VENTED FLOW CONTROL VALVE (11) AND Z-110E SOLIDS INTERCEPTOR (NOTE 15) DET. 10/SD3 LOCATED PER DETAIL 4/SD3

7 ENCLOSURE NOTES
NT.S

REV	DATE	BY	REVISION
1			
2			
3			
4			
5			
6			
7			

MODULUS ARCHITECTS
 220 COPPER AVE. N.W. SUITE 350
 ALBUQUERQUE, NEW MEXICO 87102
 PHONE (505) 338-1499 FAX (505) 338-1498

PROJECT TITLE
 PASEO-SAN PEDRO
 SEC. OF PASEO DEL NORTE AND SAN PEDRO
 ALBUQUERQUE, NEW MEXICO

PROJECT MANAGER
 STEPHEN DUNBAR, AIA

JOB NO.
 XXXXX

DRAWN BY
 S

SHEET TITLE
 SITE DETAILS

DATE
 10/22/15

SCALE
 AS NOTED

Sheet
 A13