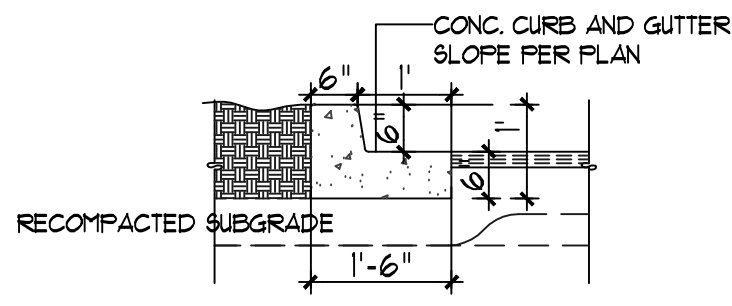


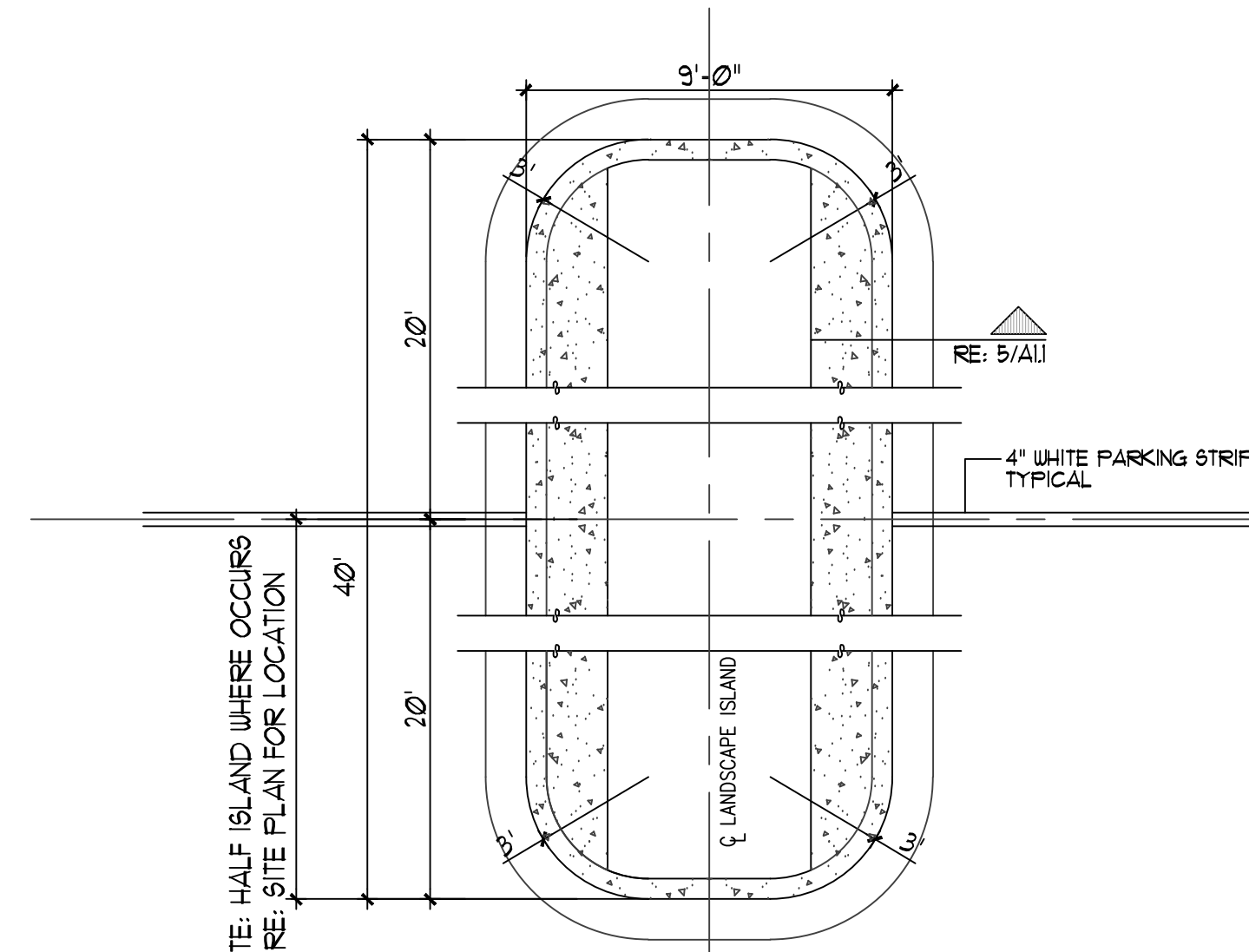
NOTE:  
RE: SITEPLAN FOR LOCATIONS OF PAVEMENT SECTION  
DESIGN PER THE GEOTECHNICAL INVESTIGATION

11 ISLAND CURB DETAIL  
N.T.S.



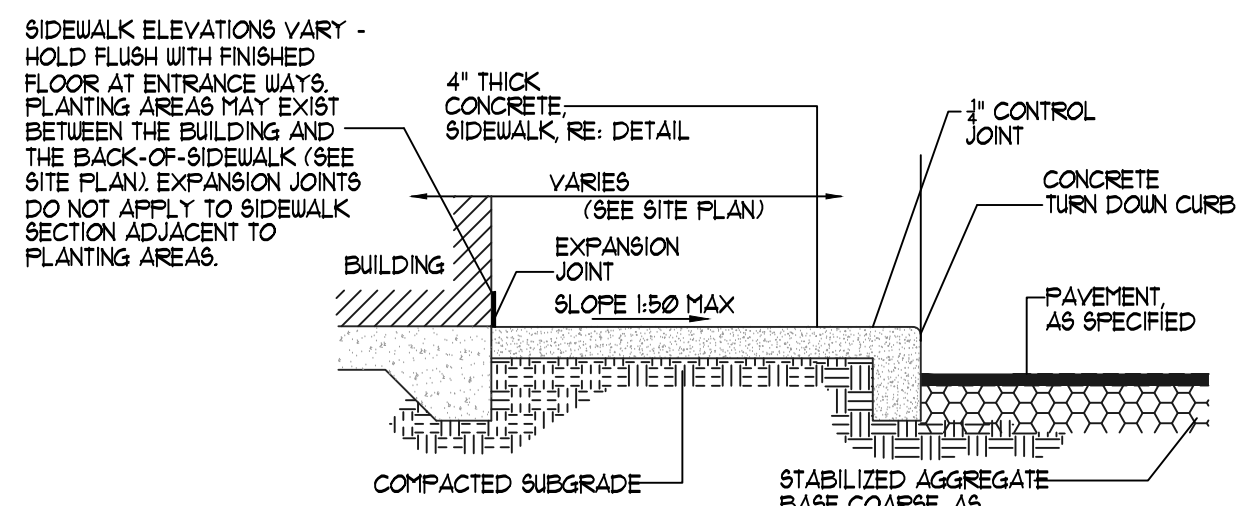
NOTE:  
RE: SITEPLAN FOR LOCATIONS OF PAVEMENT SECTION  
DESIGN PER THE GEOTECHNICAL INVESTIGATION

10 TYPICAL CURB DETAIL  
N.T.S.



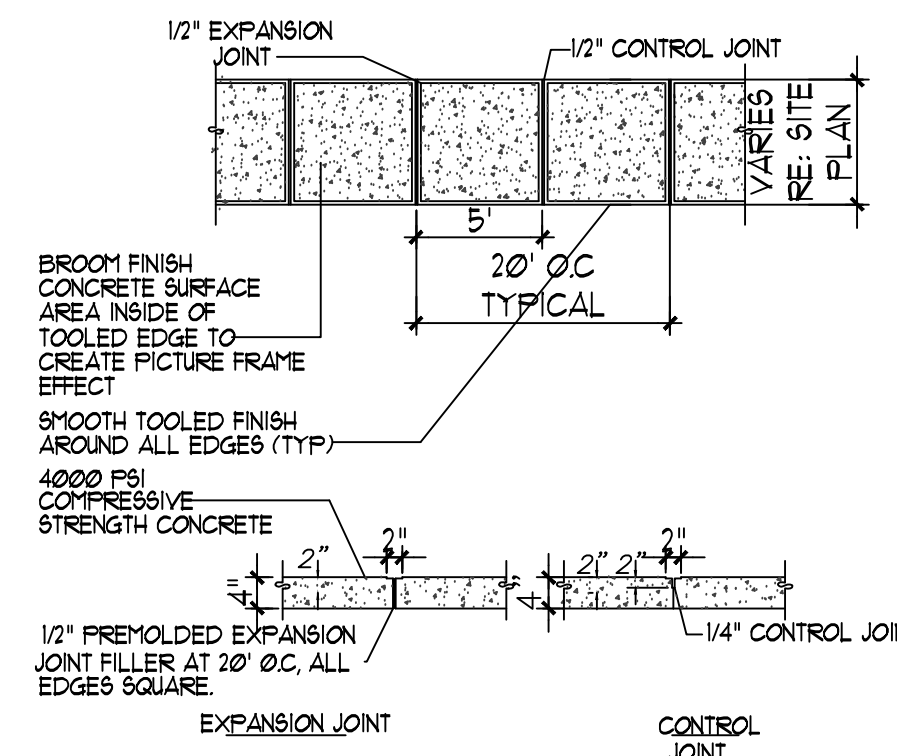
NOTE: HALF ISLAND WHERE OCCURS  
RE: SITE PLAN FOR LOCATION

9 ISLAND DETAIL  
N.T.S.

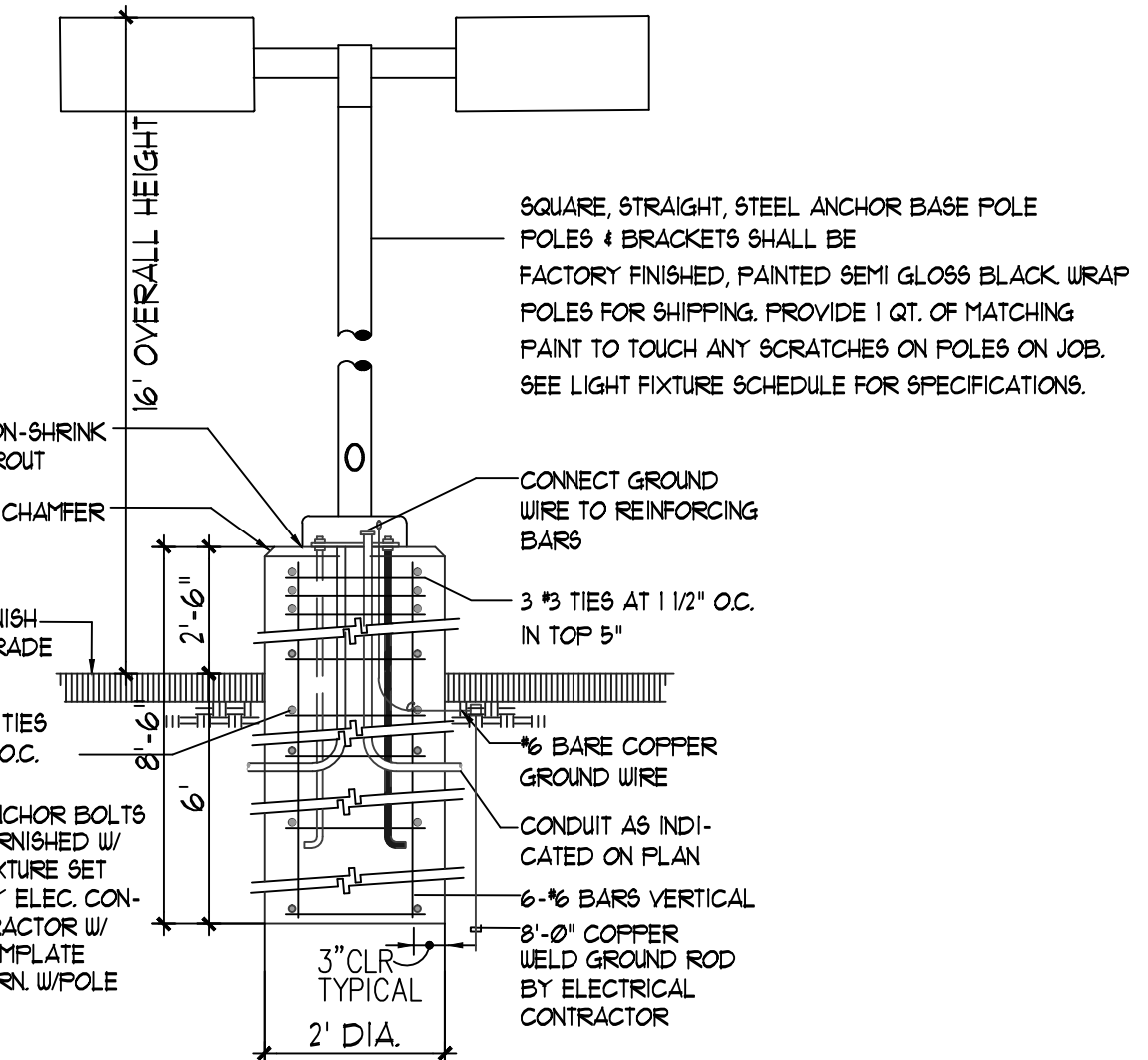


NOTE:  
CONTRACTION JOINTS AT 8'-0" O.C. TOOLED 1/4" (+1/16", -0") WIDE, 1" OR MAX. D/4 (DEEP)  
WHICHEVER IS GREATER. EXPANSION JOINTS AT 20' MAX. & ALL P.C.s UNLESS  
APPROVED OR INDICATED OTHERWISE ON PLAN VIEW JOINT PATTERN.  
NOTE:  
ALIGN CURB AND SIDEWALK JOINTS AT ALL TIES

8 SIDEWALK WITH TURNDOWN CURB SEC.  
N.T.S.

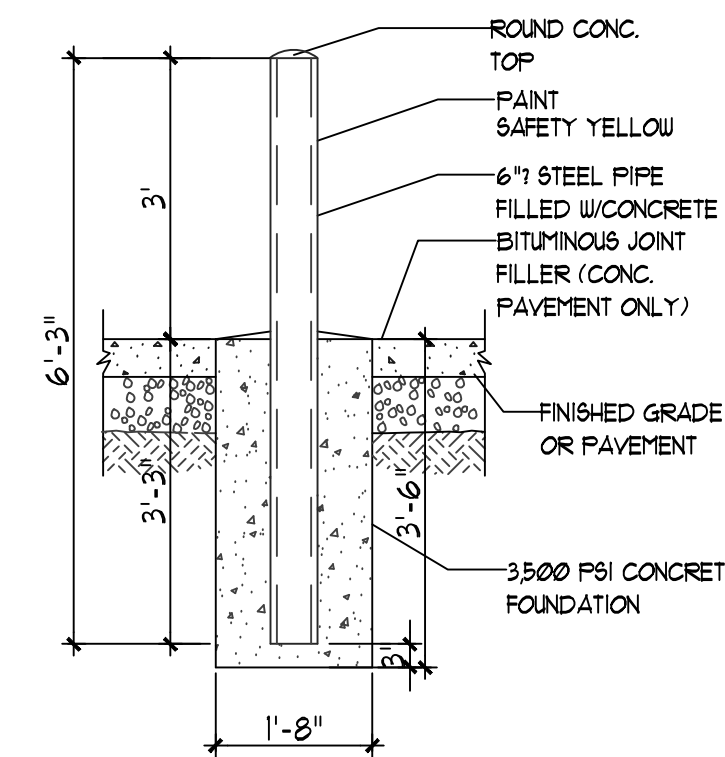


7 TYPICAL SIDEWALK  
N.T.S.

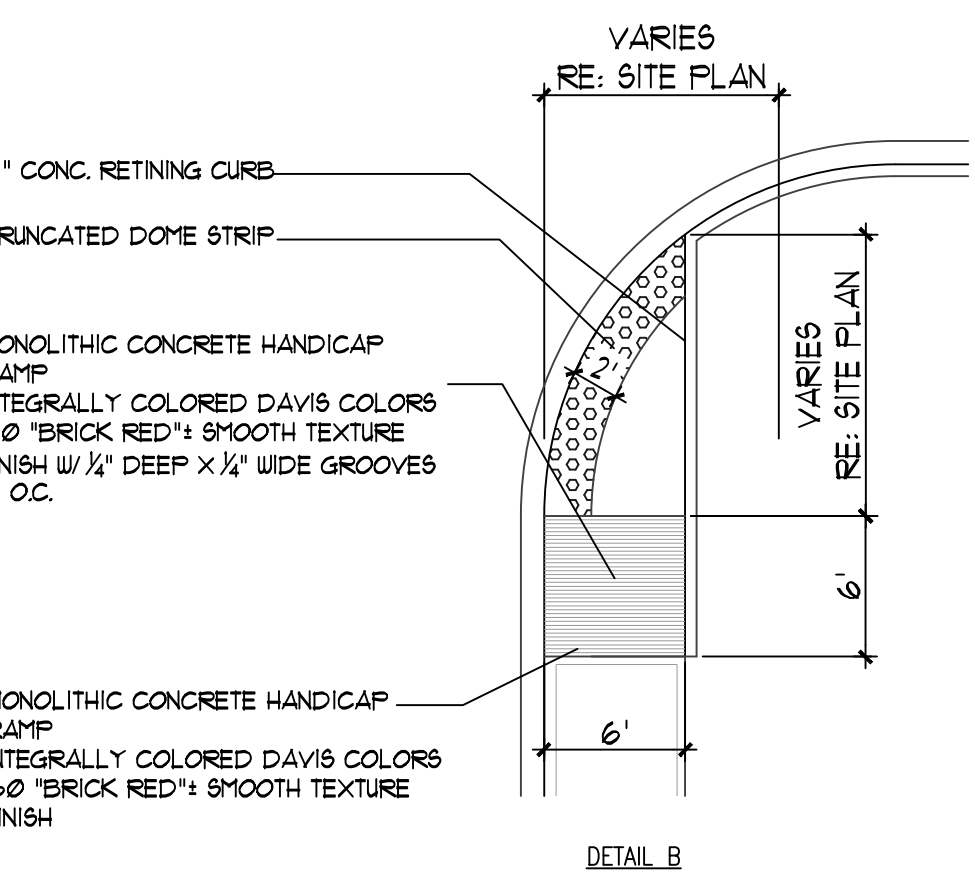


NOTE:  
1. MANUFACTURER SHALL WARRANT THAT THE COMPLETE ASSEMBLY, FIXTURES, POLE, BASE SHALL  
WITH STAND MIN 90 MPH SUSTAINED WIND LOAD OR AS REQUIRED BY LOCAL AGENCY, WHICH  
EVER IS GREATER.  
2. CONTRACTOR SHALL VERIFY THAT ALL CONTRACTOR INSTALLED LIGHTS COMPLY WITH LOCAL CODE REQUIREMENTS  
3. SHOULD EXISTING POLE HEIGHT TO BE MATCHED EXCEED 22'  
GENERAL CONTRACTOR SHALL VERIFY W/ ARCHITECT ADEQUACY OF DESIGN SHOWN  
PRIOR TO INSTALL

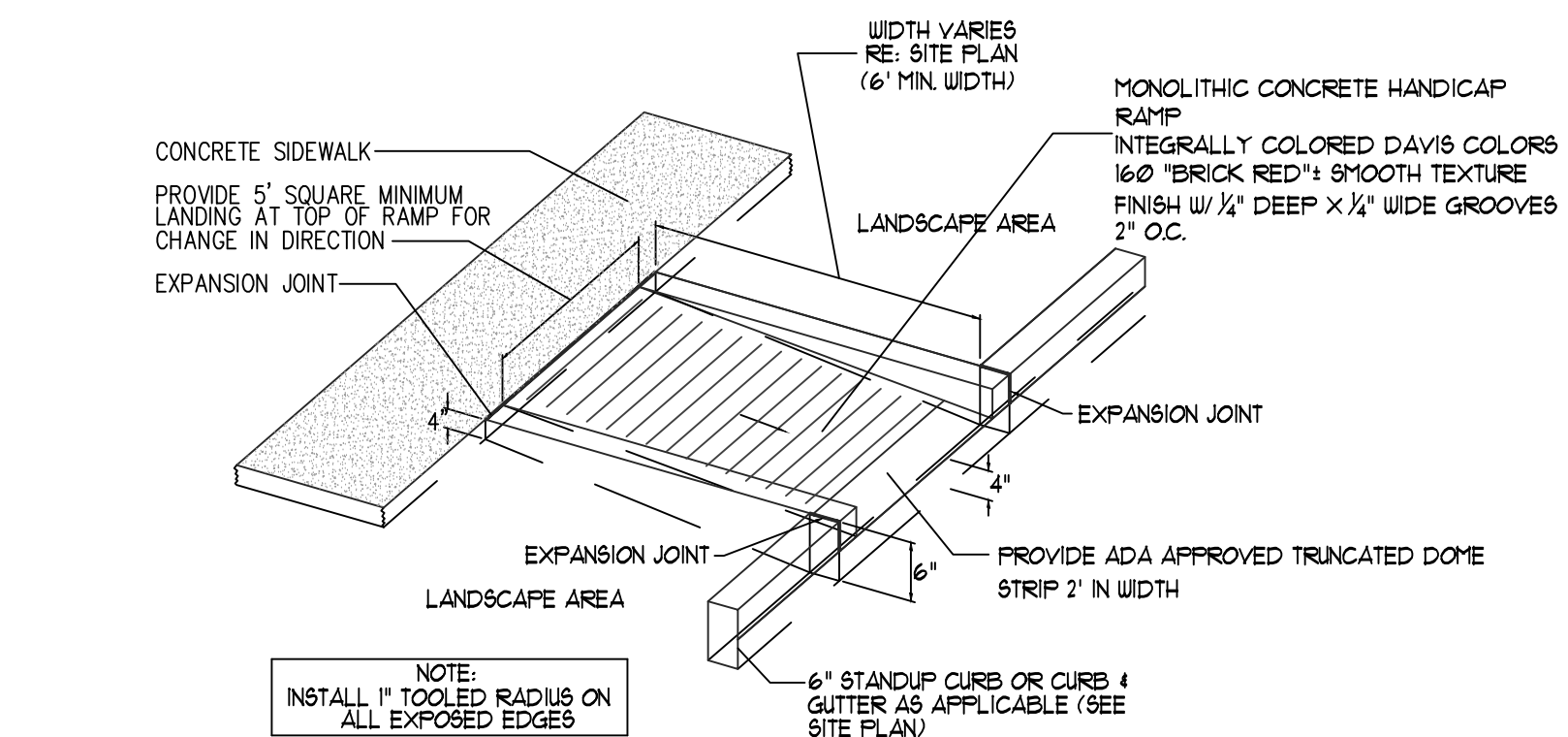
3 LIGHT POLE DETAIL  
N.T.S.



4 BOLLARD DETAIL  
N.T.S.

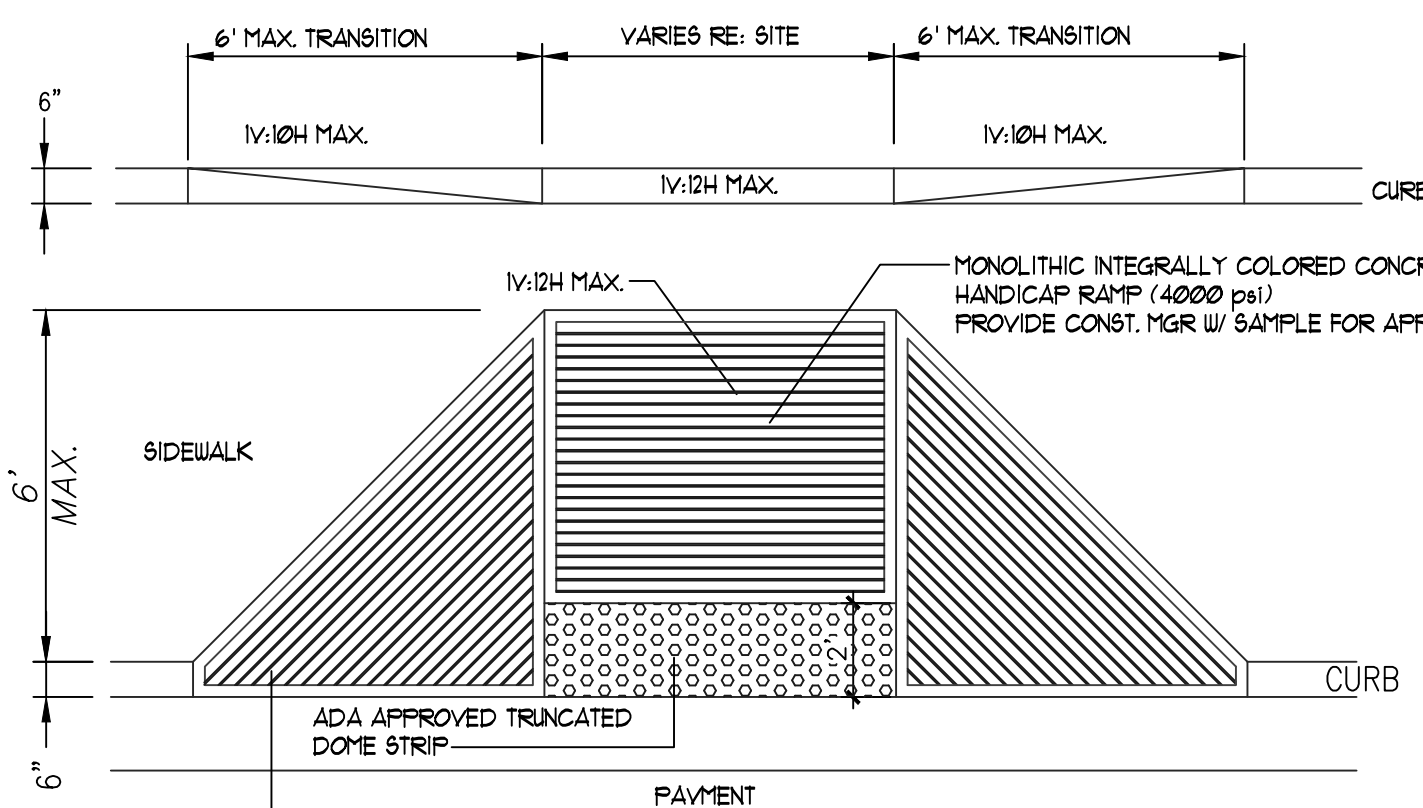


5 END ISLAND WITH WALK RAMP  
N.T.S.



NOTE:  
INSTALL 1" TOOLED RADIUS ON ALL EXPOSED EDGES  
NOTE:  
H.C. RAMP SHALL NOT EXCEED 6' OR 8% SLOPE IN ANY DIRECTION, AND SHALL CONFORM  
W/ ALL APPLICABLE ANSI REQ'S, G.C. SHALL VERIFY CONFORMANCE W/ ALL APPLICABLE ANSI REQ'S

16 CURBED RAMP DETAIL  
N.T.S.

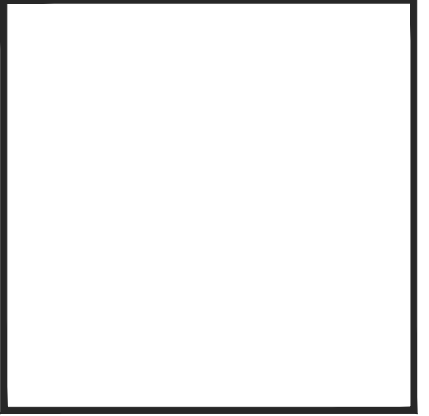


NOTE:  
INSTALL 1" TOOLED RADIUS ON ALL EXPOSED EDGES  
NOTE:  
H.C. RAMP SHALL NOT EXCEED 6' OR 8% SLOPE IN ANY DIRECTION, AND SHALL CONFORM  
W/ ALL APPLICABLE ANSI REQ'S, G.C. SHALL VERIFY CONFORMANCE W/ ALL APPLICABLE ANSI REQ'S

15 FLARED H.C RAMP  
N.T.S.

REV	DATE	BY	REVISION
1			
2			
3			
4			
5			

**MODULUS ARCHITECTS**  
100 SUN AVE. N.W. SUITE 305  
ALBUQUERQUE, NEW MEXICO 87109  
PHONE (505) 338-1499 FAX (505) 338-1498



PROJECT TITLE KIDDIE ACADEMY SEC. OF LOUISIANA AND ALAMEDA NE ALBUQUERQUE, NM	DRAWN BY: S
PROJECT MANAGER STEPHEN DUNBAR, AIA	JOB NO. XXXXX
SHEET TITLE SITE DETAILS	

DATE: 8/31/2016	Sheet:
SCALE: N.T.S.	A11