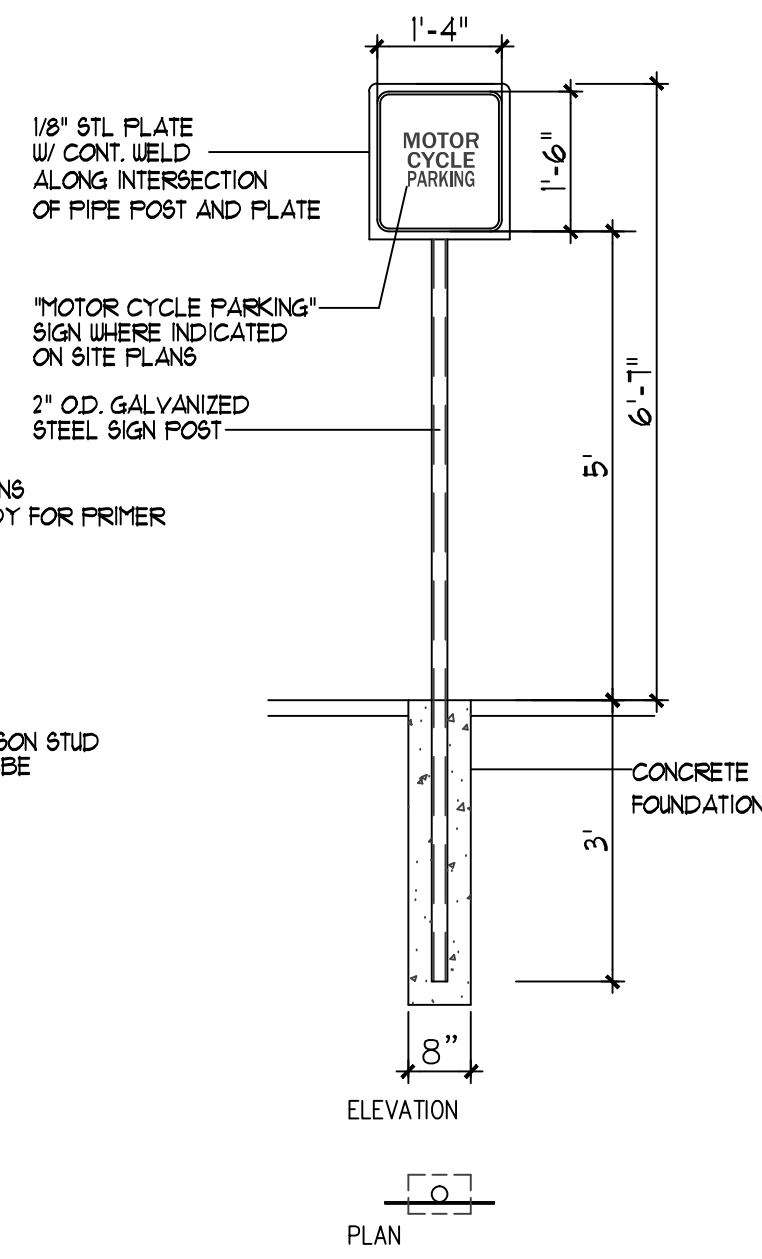
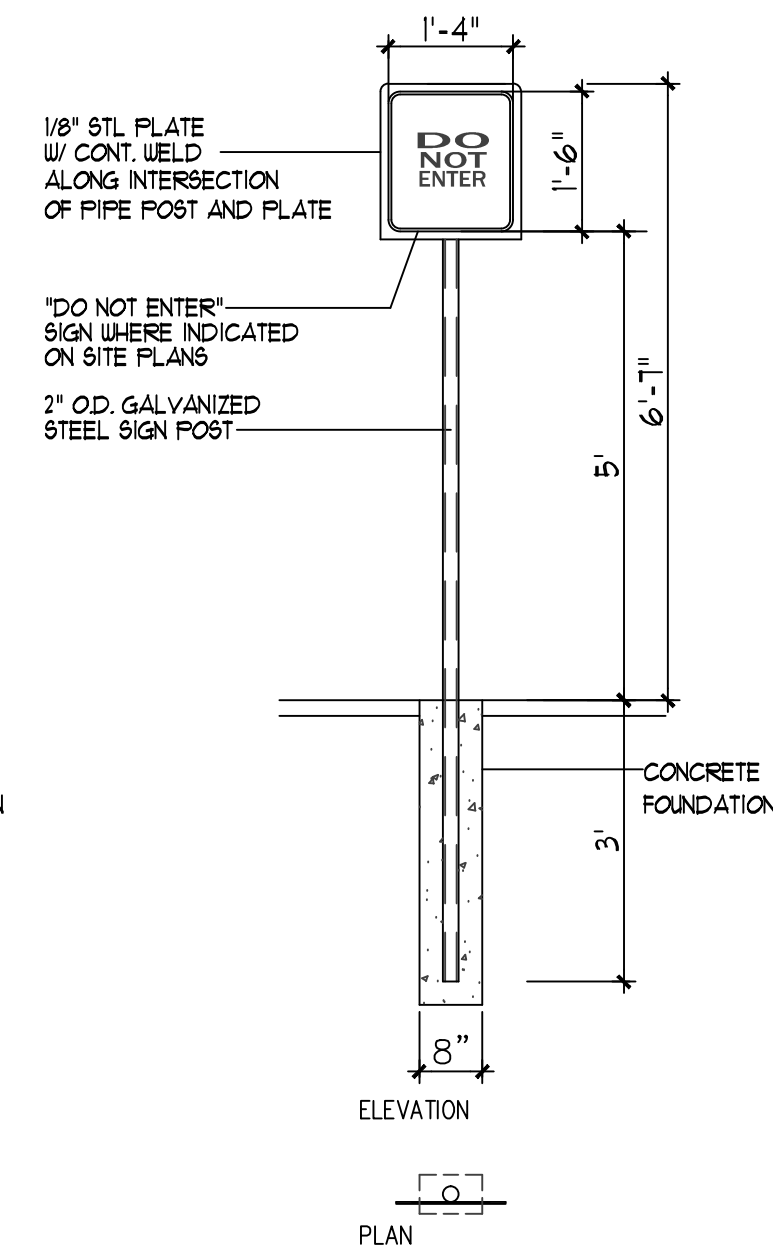


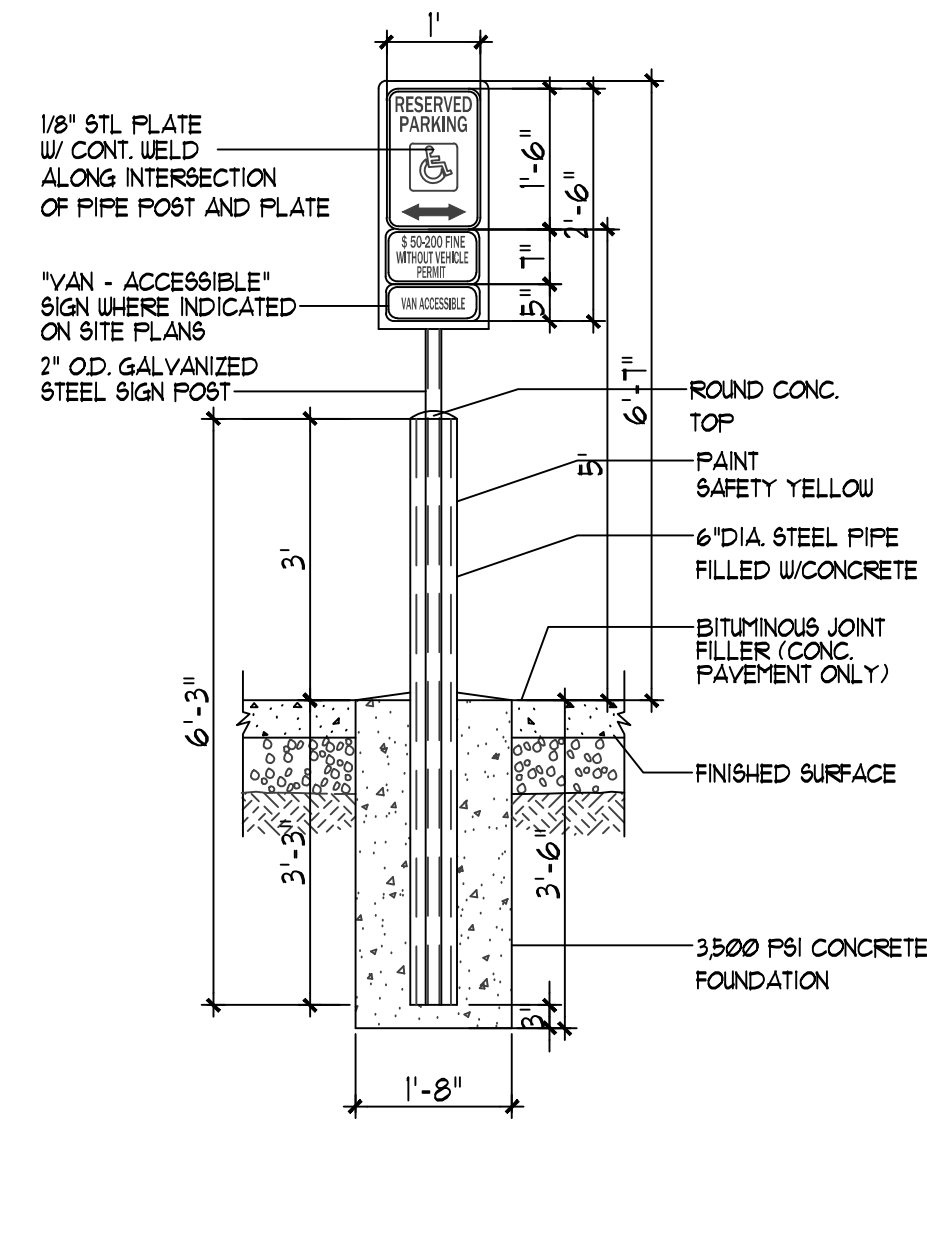
13 BIKE RACK
NT.S



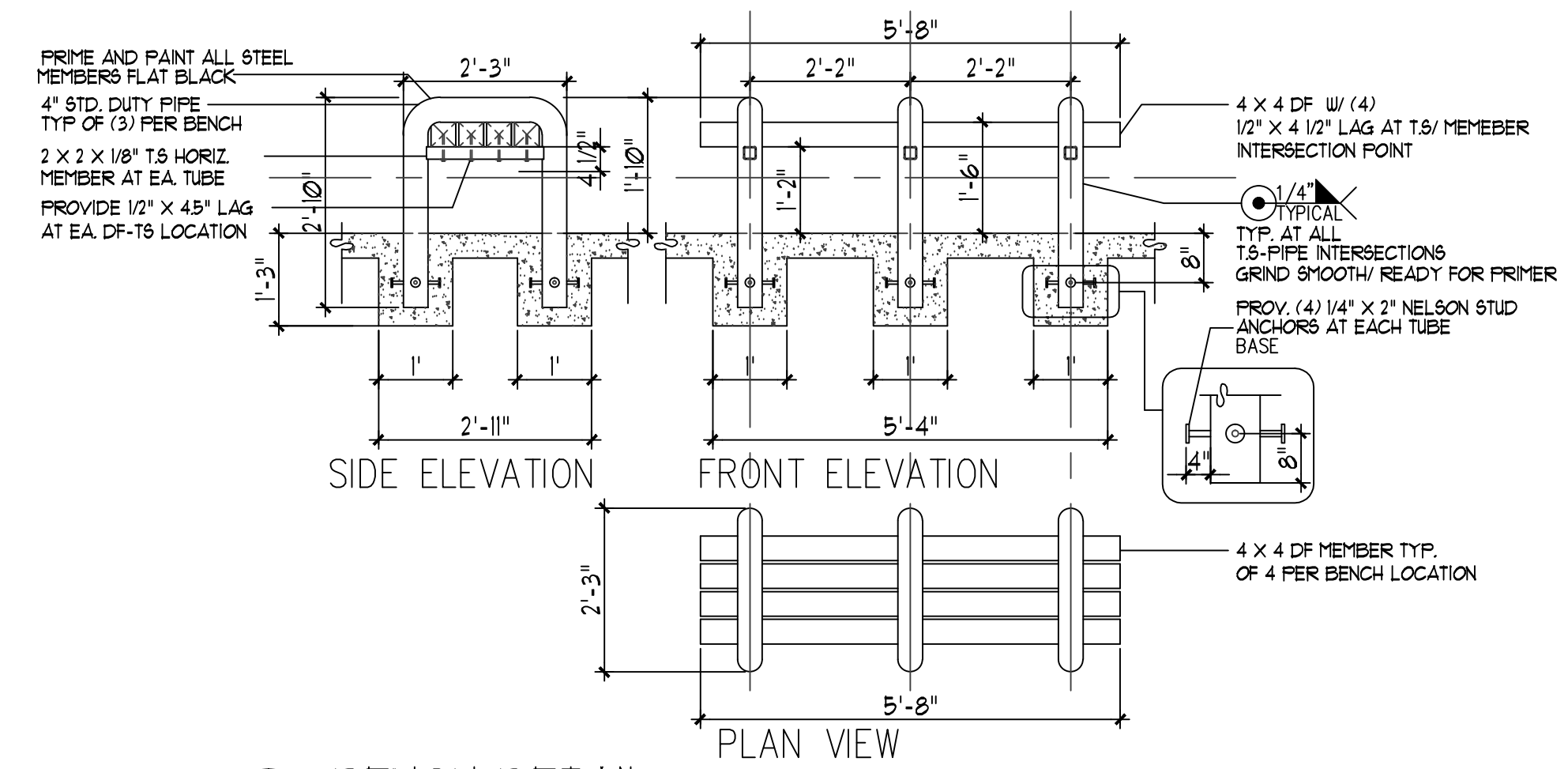
12 MISC. SIGNAGE
NT.S



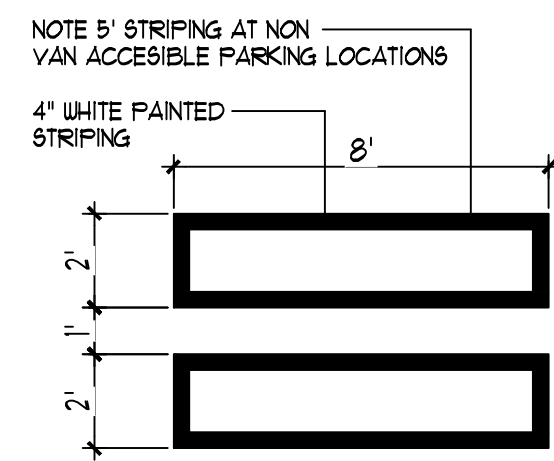
12A MISC. SIGNAGE
NT.S



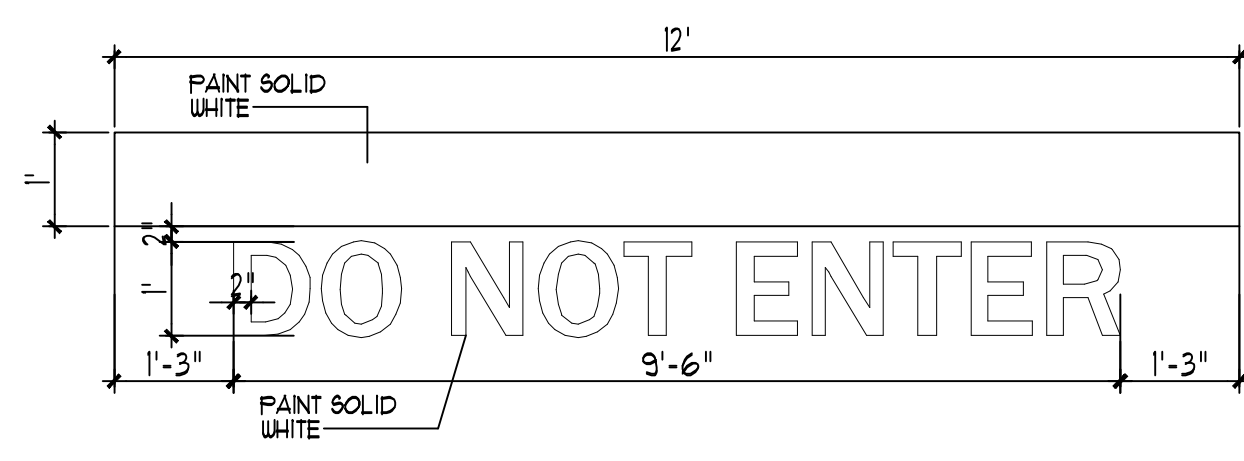
11 H.C SIGNAGE
NT.S



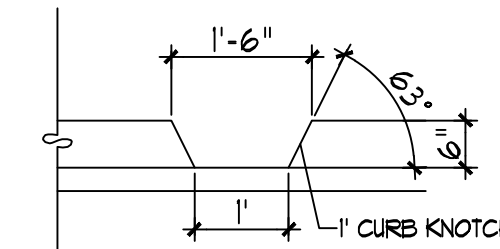
10 BENCH DETAIL
NT.S



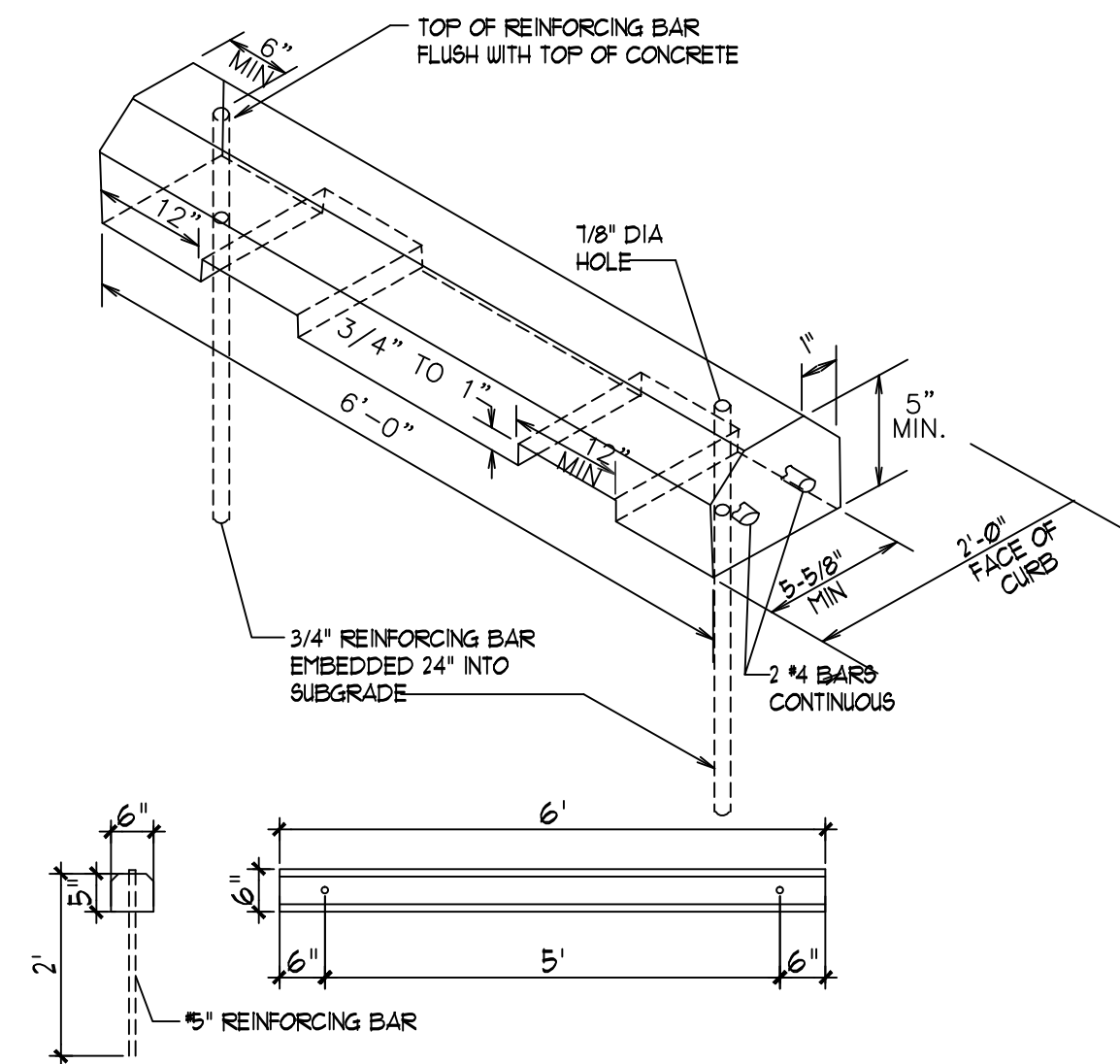
9 H.C PARKING-WALK PAINT DETAIL
NT.S



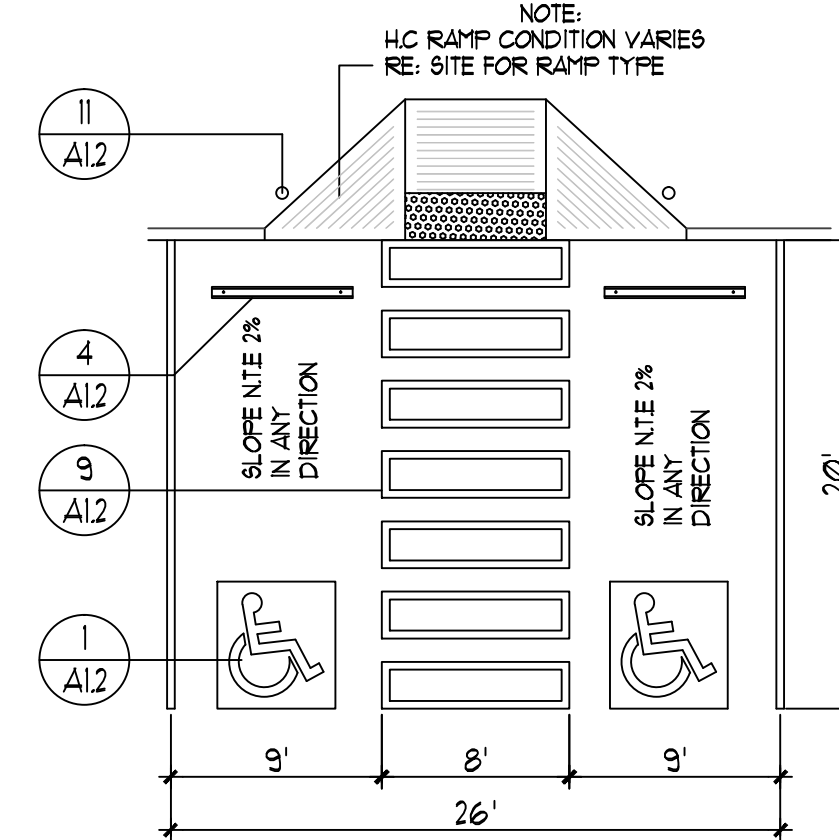
8 SITE DIRECTIONAL PAINT DETAIL
NT.S



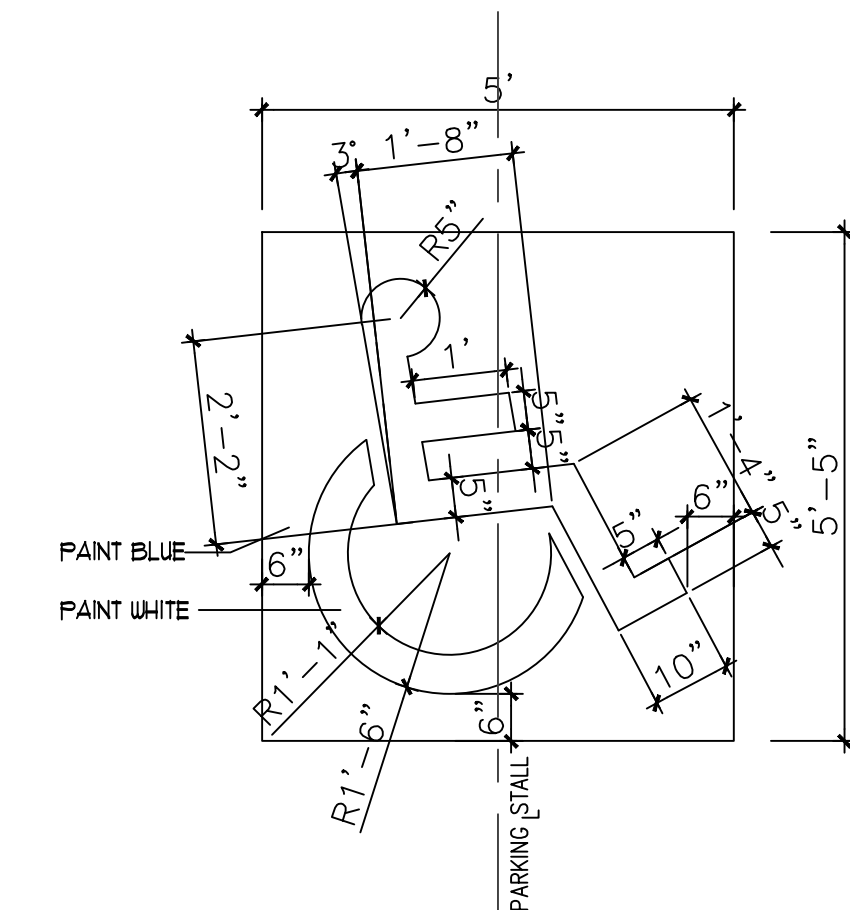
7 CURB NOTCH
NT.S



4 WHEEL STOP
NT.S



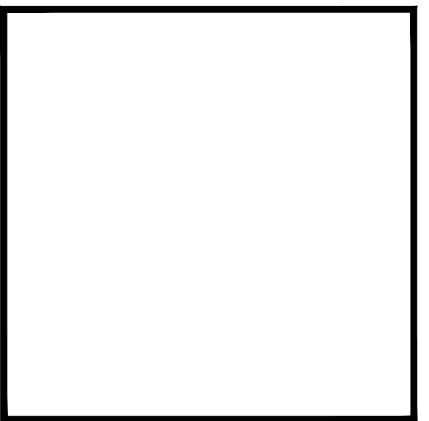
2 H.C PARKING PLAN DETAIL (VAN ACCESSIBLE)
NT.S



1 H.C SIGNAGE
NT.S

REV	DATE	BY	REVISION
1			
2			
3			
4			
5			

MODULUS ARCHITECTS
 100 SUN AVE. N.W. SUITE 305
 ALBUQUERQUE, NEW MEXICO 87109
 PHONE (505) 338-1499 FAX (505) 338-1498



PROJECT TITLE KIDDIE ACADEMY SEC. OF LOUISIANA AND ALAMEDA NE ALBUQUERQUENT	PROJECT MANAGER STEPHEN DUNBAR, AIA	JOB NO. XXXXX	DRAWN BY S
SHEET TITLE SITE DETAILS			

DATE: 8/31/2016	sheet: A1.2
SCALE: NT.S	et.