

STATEMENT OF COMPLIANCE

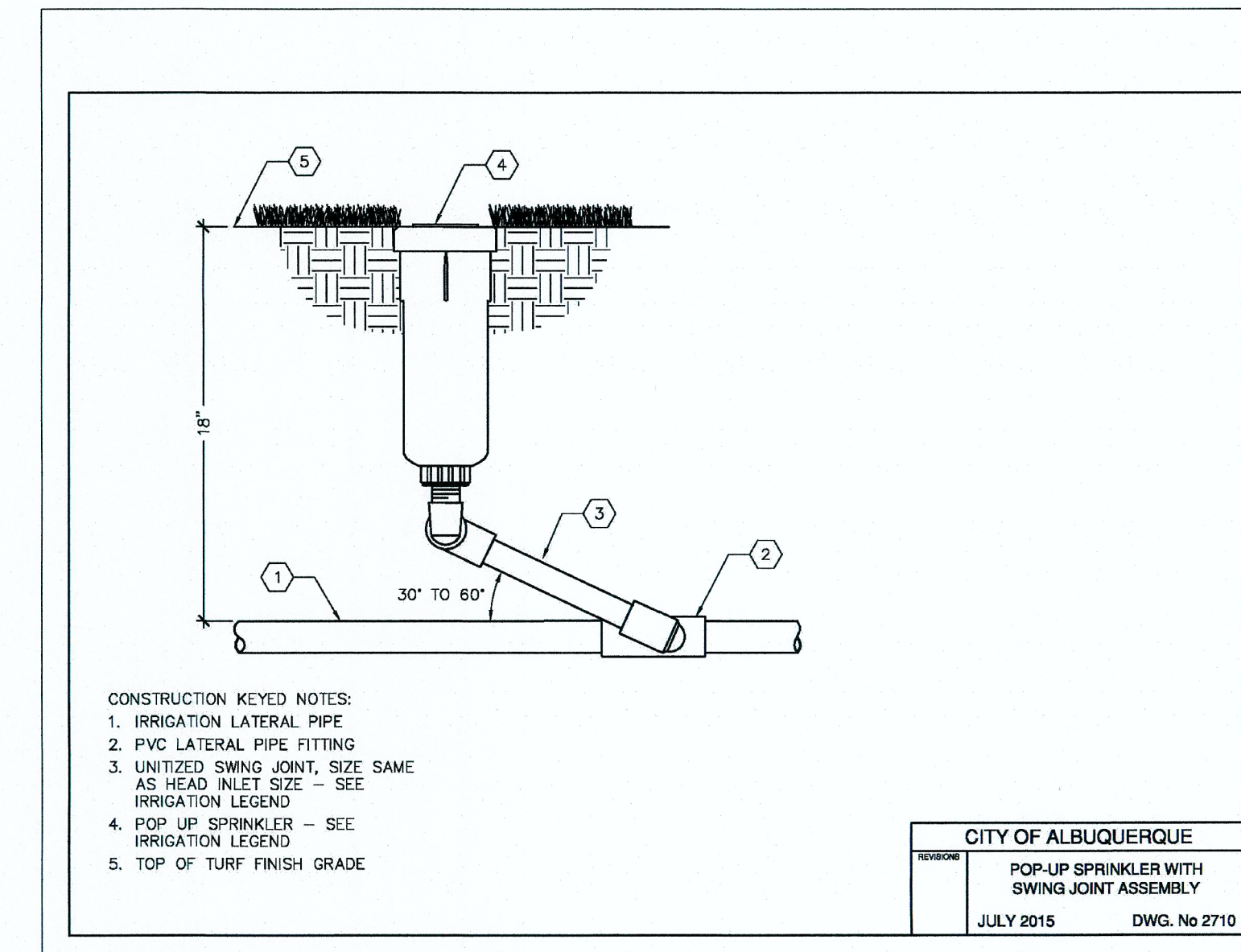
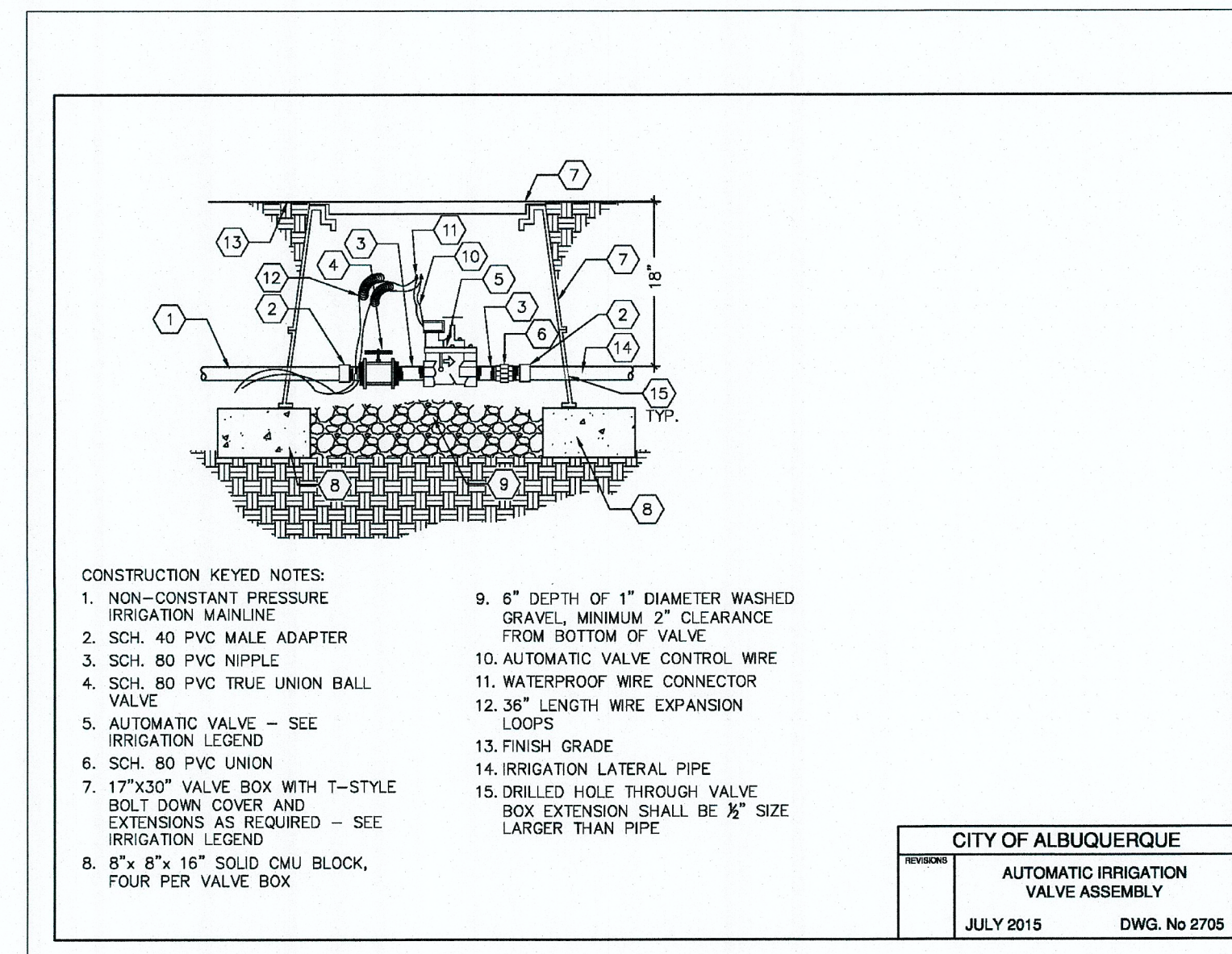
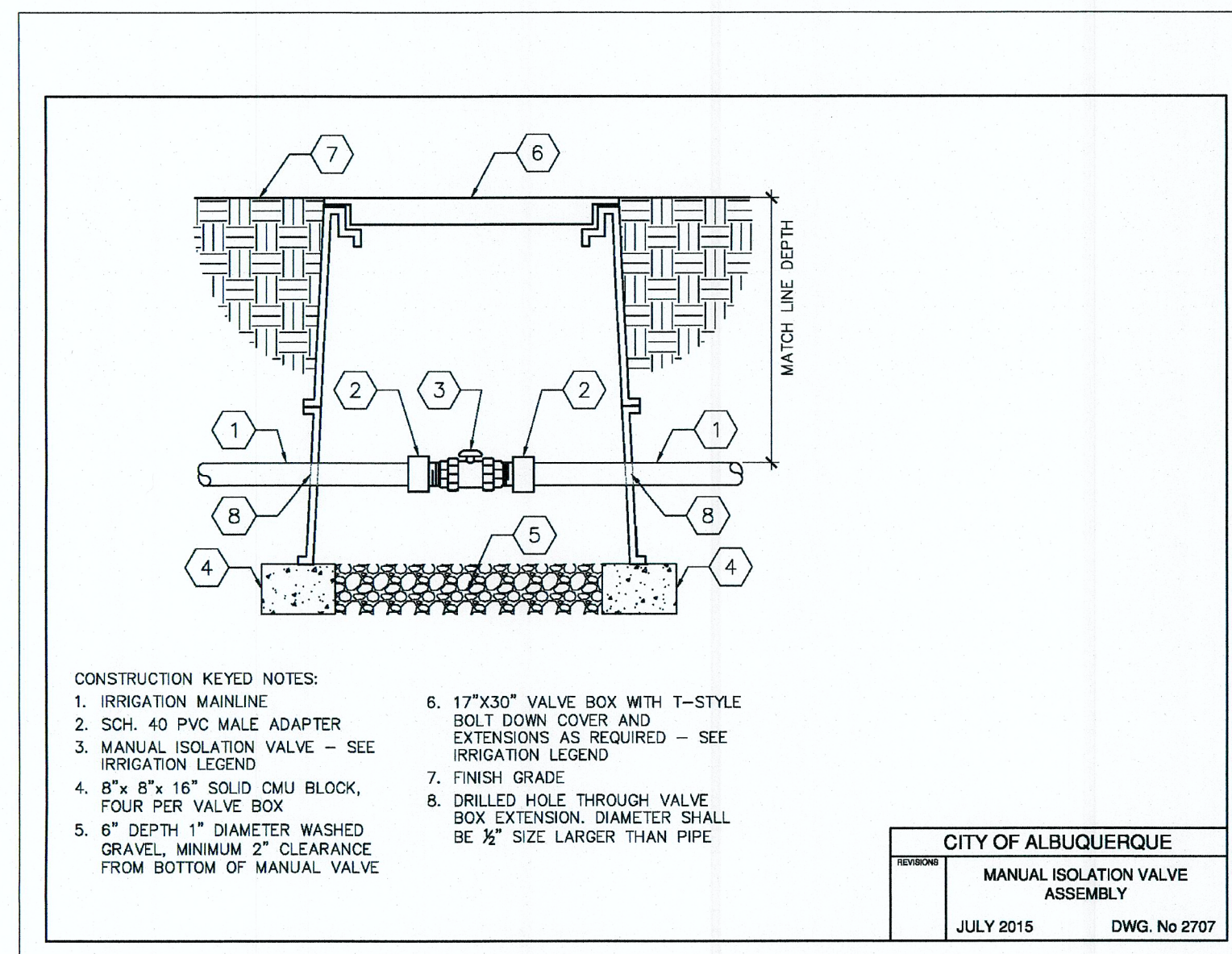
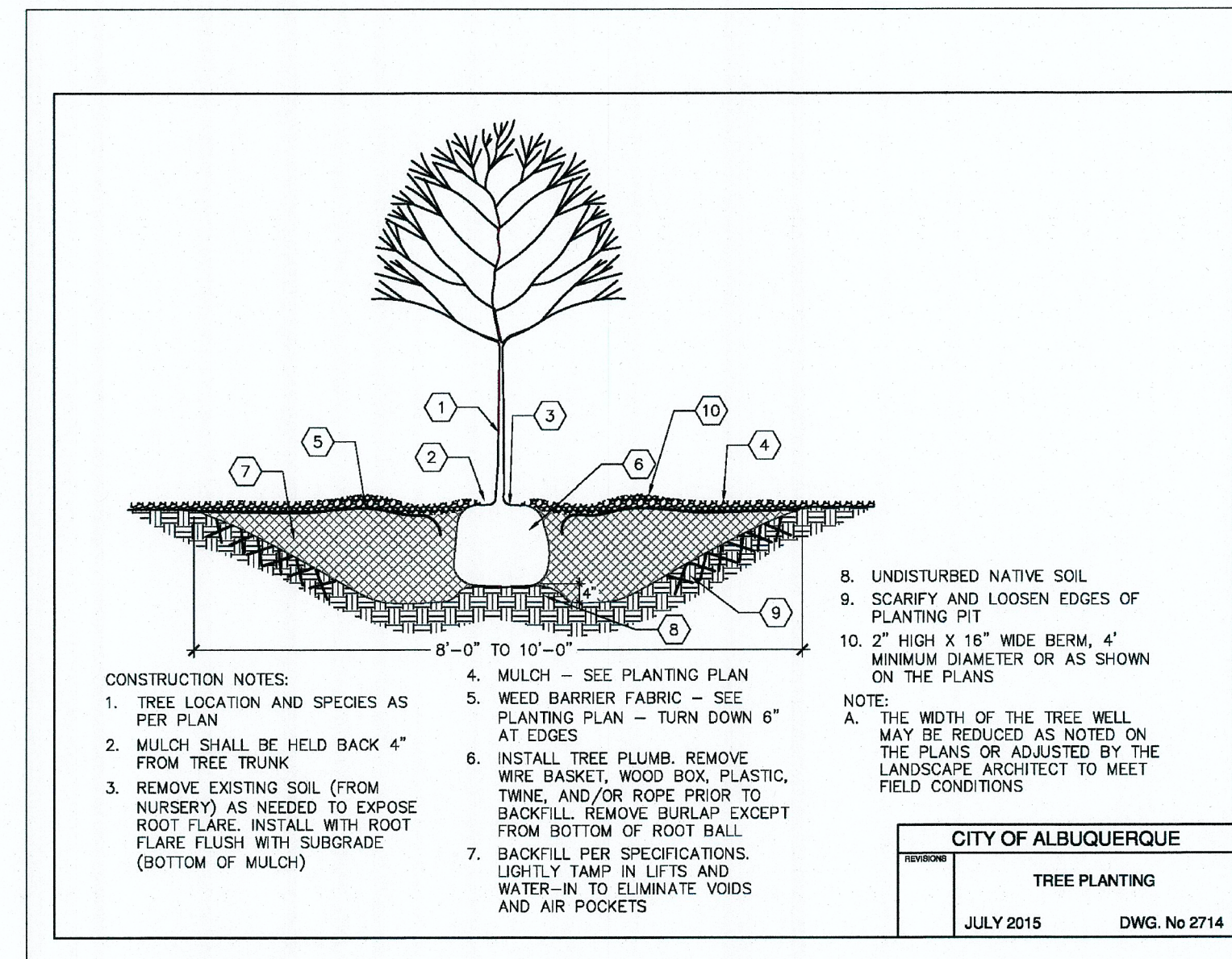
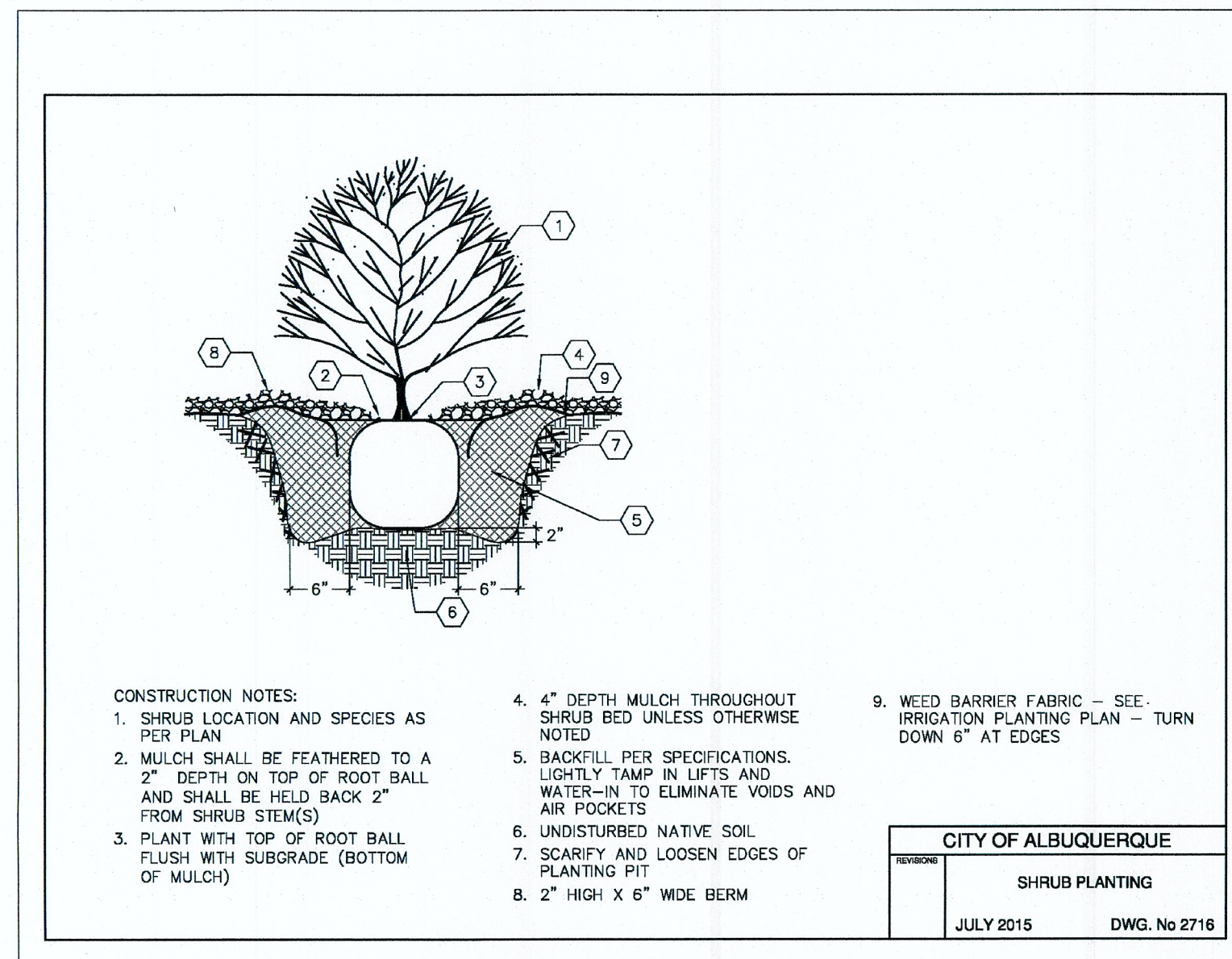
LANDSCAPING AND INSTALLATION SHALL COMPLY WITH THE CITY OF ALBUQUERQUE ZONING CODE SECTION 14-16-3-10 LANDSCAPING REGULATIONS. INSTALLATION SHALL BE IN ACCORDANCE WITH THE APPROVED PLAN AND SHALL BE COMPLETED WITHIN 60 DAYS.

LANDSCAPING SHALL HAVE ADEQUATE MAINTENANCE. LANDSCAPING THAT DIES SHALL BE REPLACED BY THE OWNER WITHIN 60 DAYS.

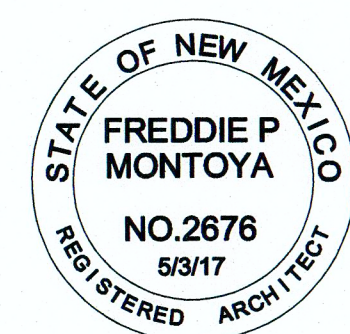
NOTE: THE LANDSCAPING IN THE PUBLIC RIGHT OF WAY WILL BE PLACED ON SEPARATE VALVE(S) AT THE PROPERTY LINE.

NOTE: THE LANDSCAPING WILL BE WATERED BY HAND ON THE WEST AND SOUTH LANDSCAPE STRIPS BY MAINTENANCE COMPANY "PAUL ARAGON LANDSCAPING"

NOTE: THE LANDSCAPING AND MAINTENANCE SHALL BE IN COMPLIANCE WITH THE CITY OF ALBUQUERQUE WATER CONSERVATION ORDINANCE 6-1-1.



**LANDSCAPE DETAILS
NTS**



JUNE 2, 2017

G1