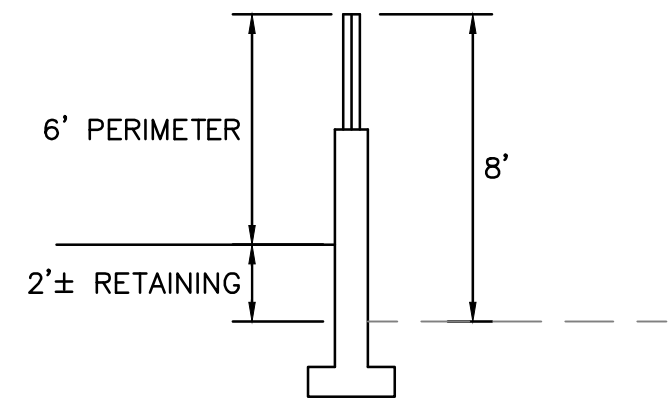
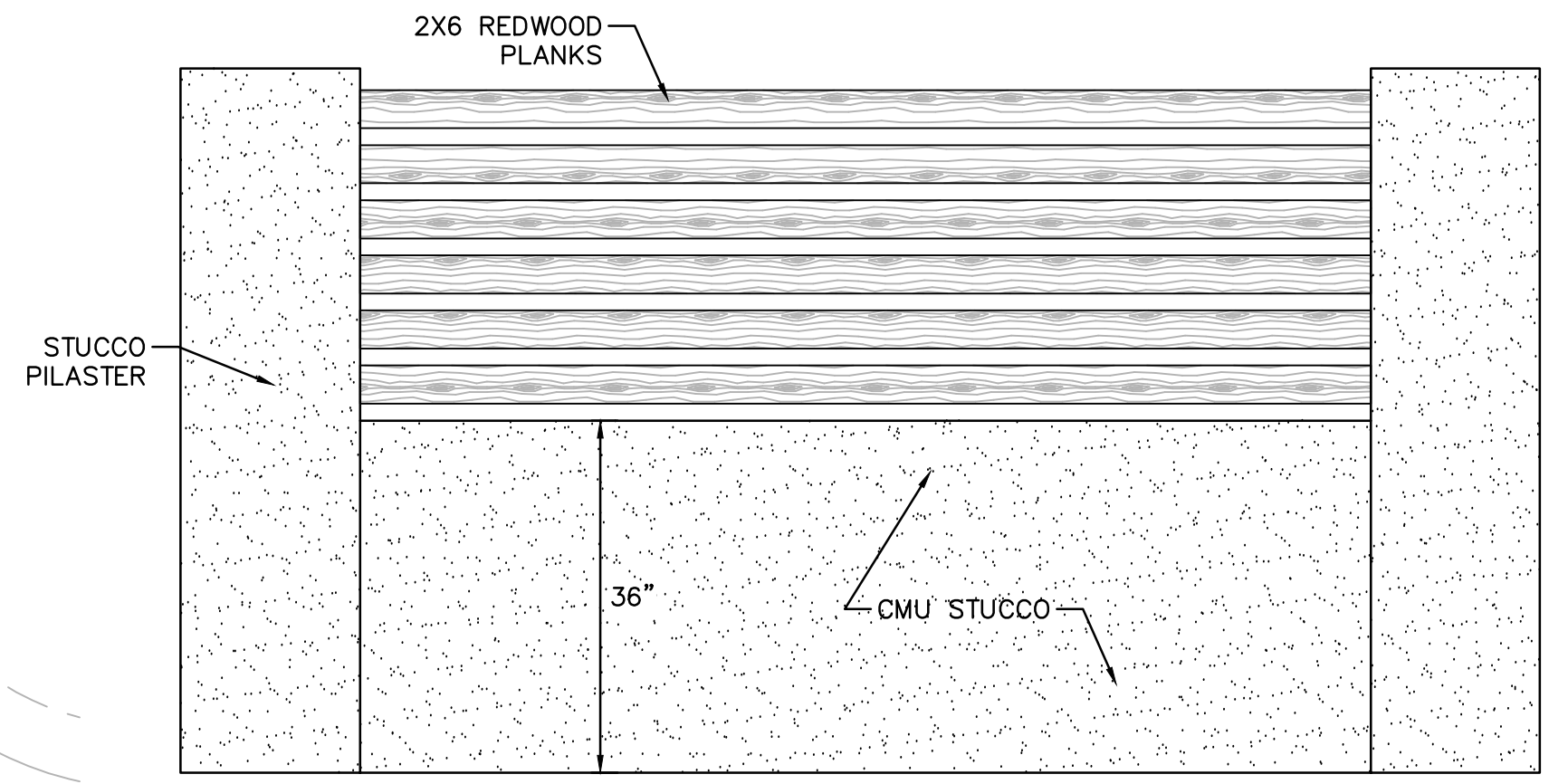


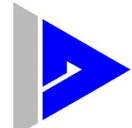
**PERIMETER WALL EXHIBIT**  
SCALE: 1"=60'



**SECTION A-A**  
SCALE: 1"=5'



**WALL DETAIL**  
NTS

 <p>ISAACSON &amp; ARFMAN, P.A. Consulting Engineering Associates Albuquerque, New Mexico 2224 C-701 PERIM WALL.dwg Jul 20, 2017</p>	<p>PROJECT <u>CAMPBELL SUBDIVISION</u></p>
	<p>JOB NO. <u>2224</u> BY <u>ANW</u> DATE <u>07-20-17</u></p>