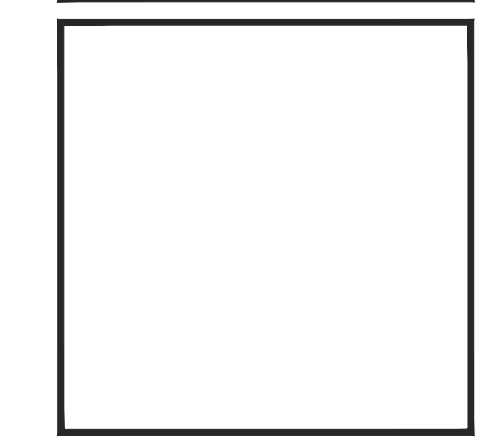


REV	DATE	BY	REVISION
1			
2			
3			
4			
5			

MODULUS ARCHITECTS
 100 SUN AVE. N.W. SUITE 305
 ALBUQUERQUE, NEW MEXICO 87109
 PHONE (505) 338-1499 FAX (505) 338-1498

PROJECT TITLE
 PROJECT 1-25
 NUC OF 1.25 FRONTAGE RD
 ALBUQUERQUE

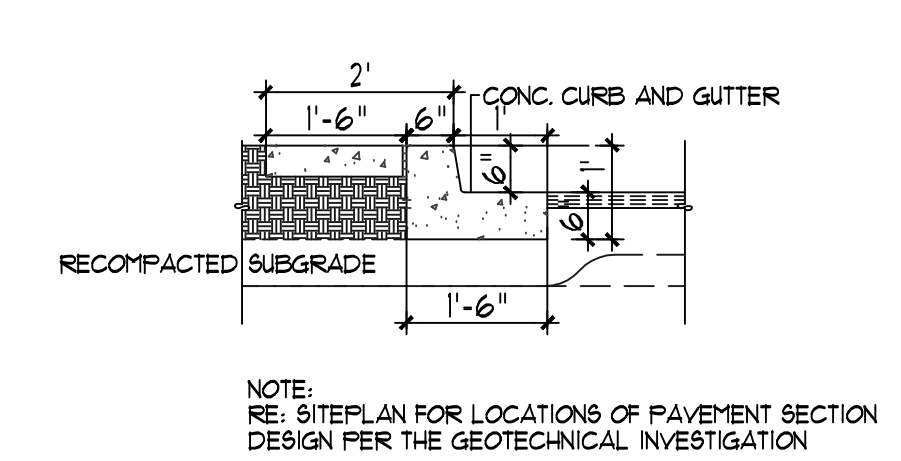
JOB NO.
 PROJECT-125

DRAWN BY:
 S-AF

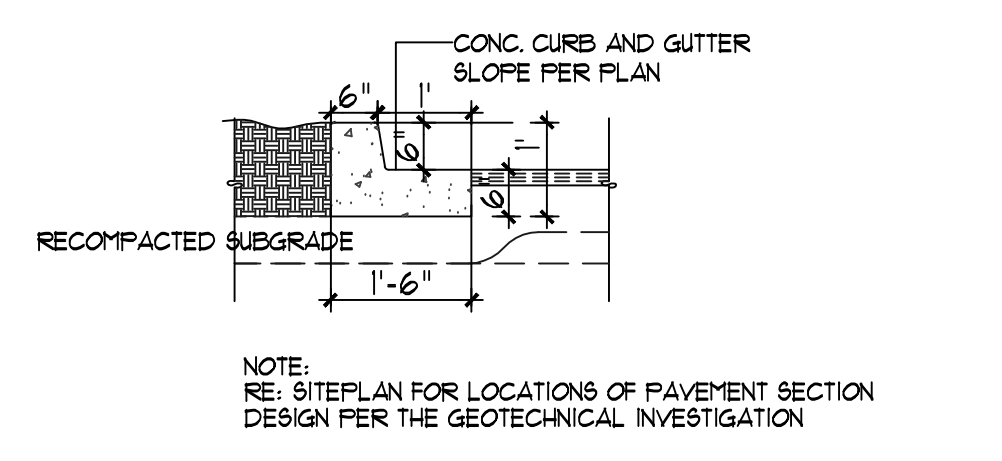
PROJECT MANAGER
 STEPHEN DUNBAR, AIA

SHEET TITLE
 SITE DETAILS

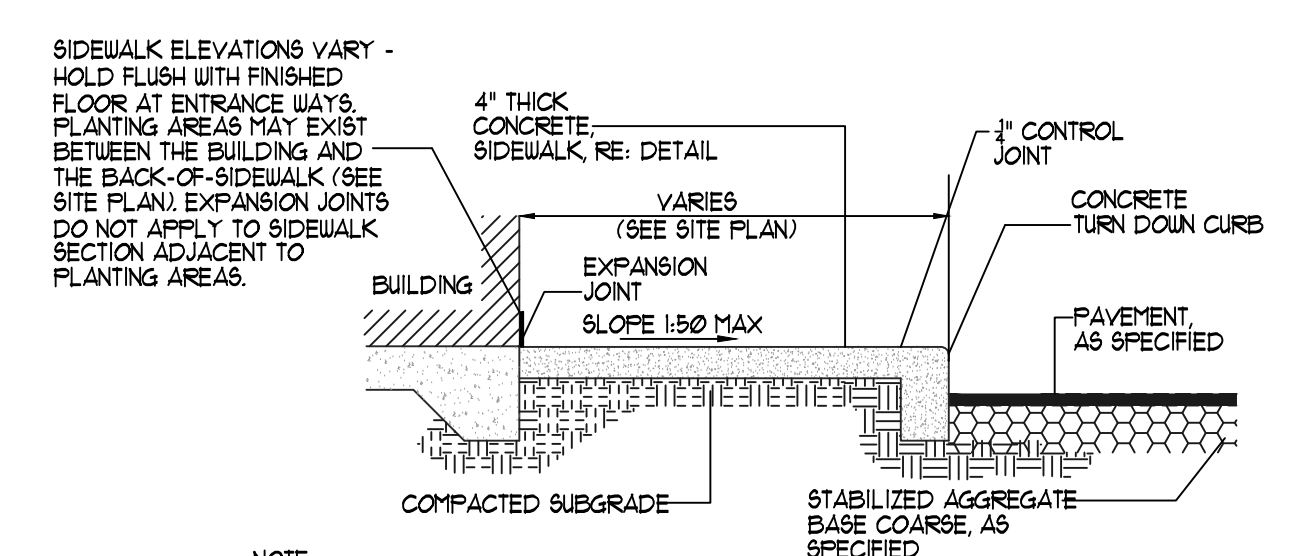
DATE:	8/04/2017
SCALE:	REBAR SCALE



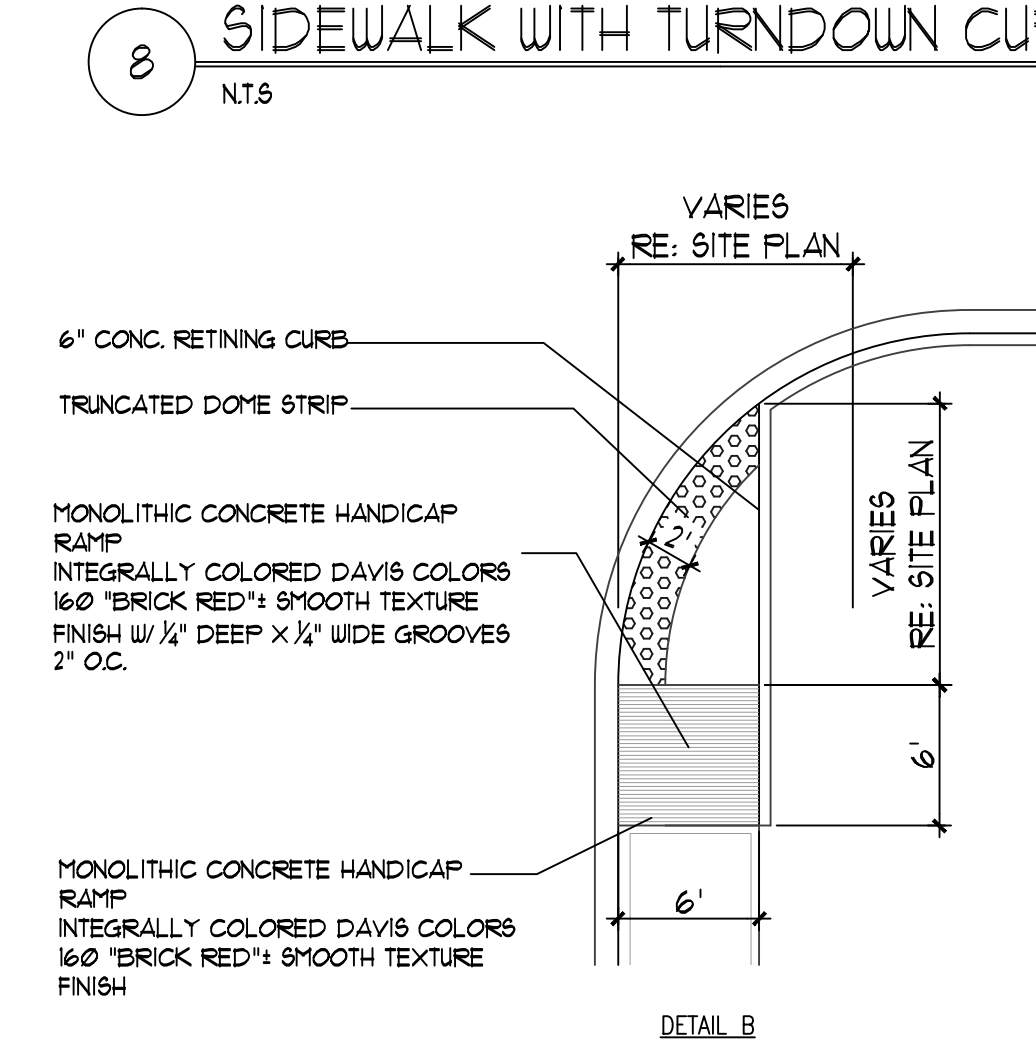
11 ISLAND CURB DETAIL
 N.T.S.



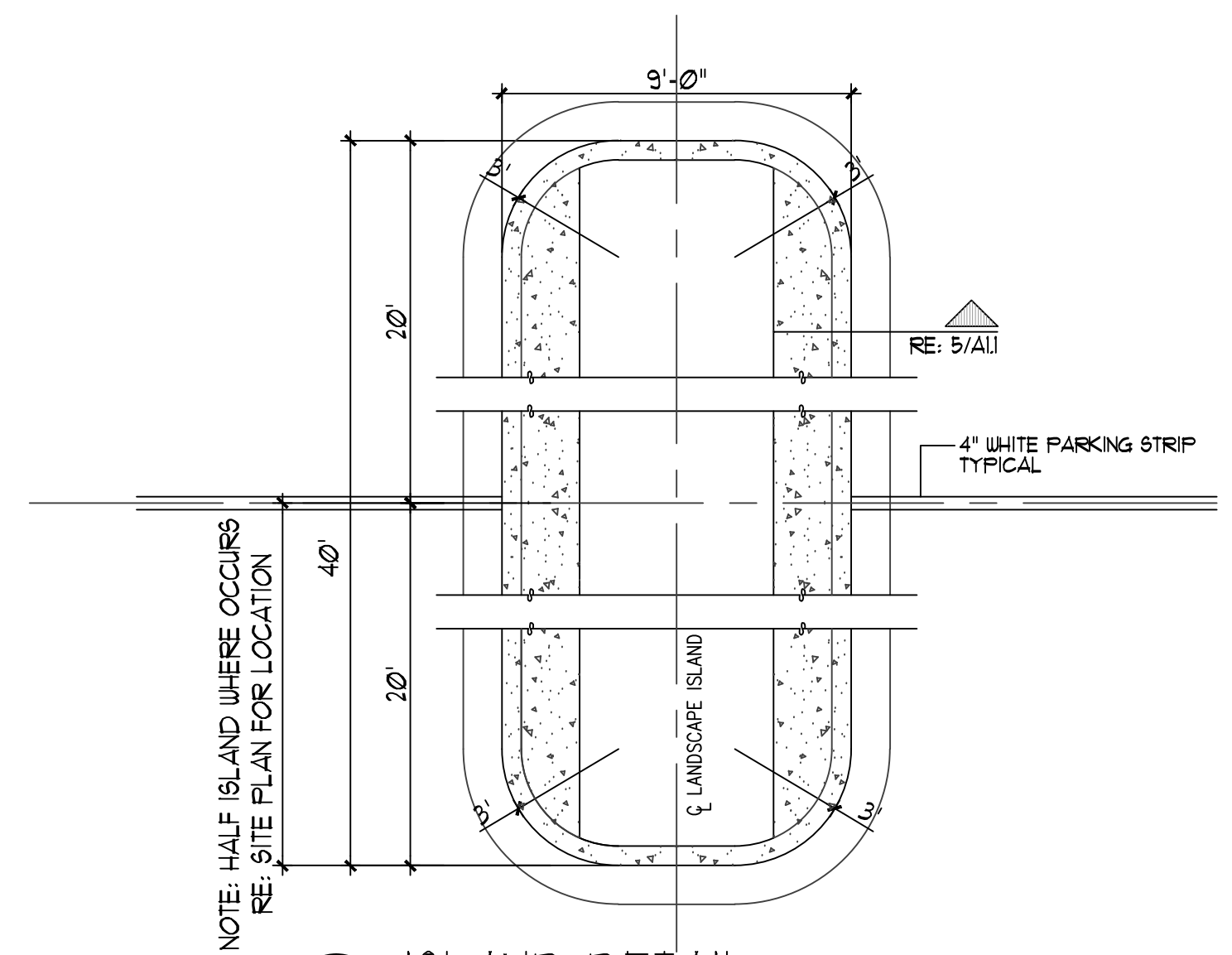
10 TYPICAL CURB DETAIL
 N.T.S.



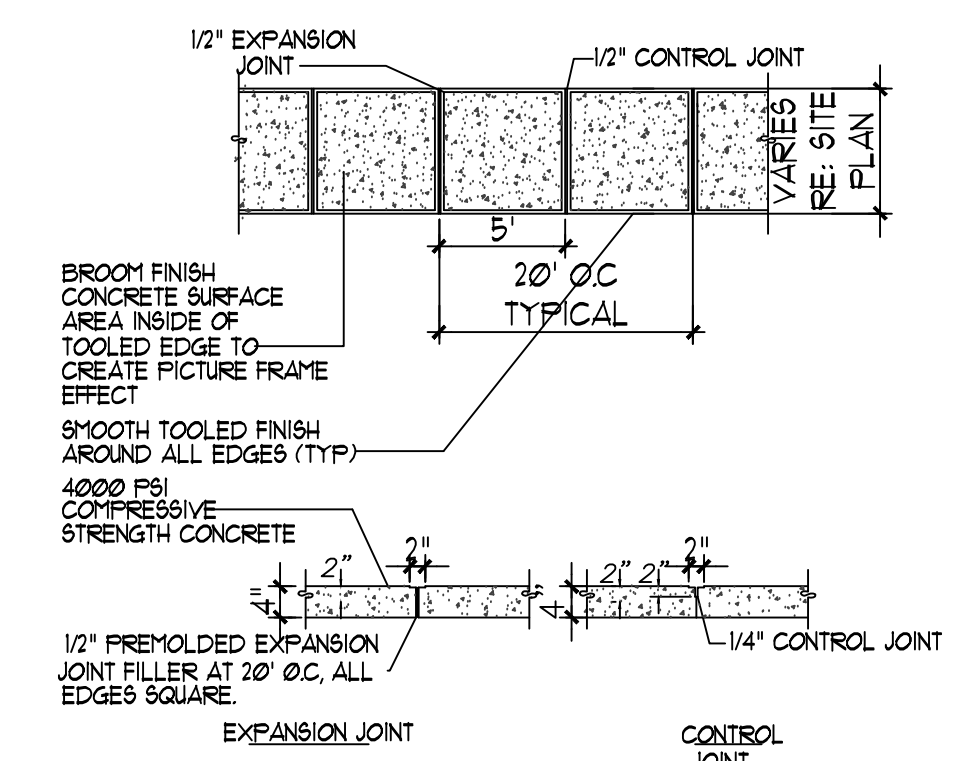
8 SIDEWALK WITH TURNDOWN CURB SEC.
 N.T.S.



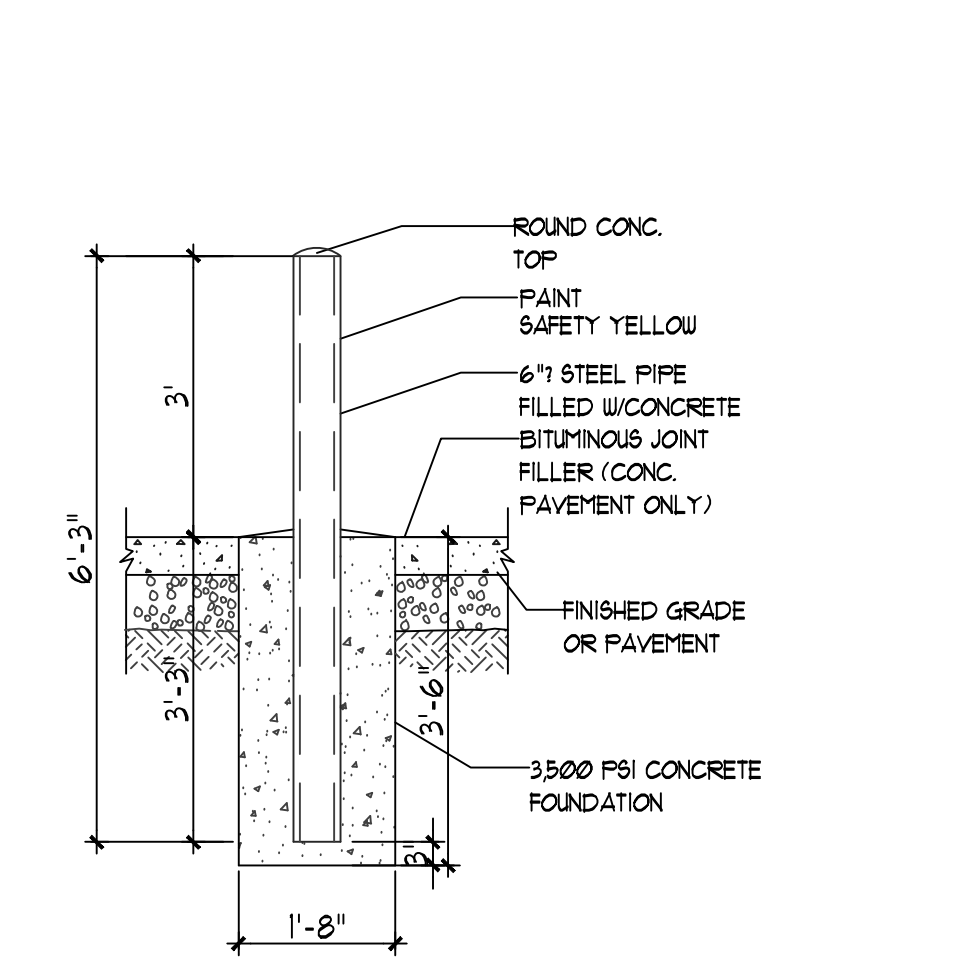
5 END ISLAND WITH WALK RAMP
 N.T.S.



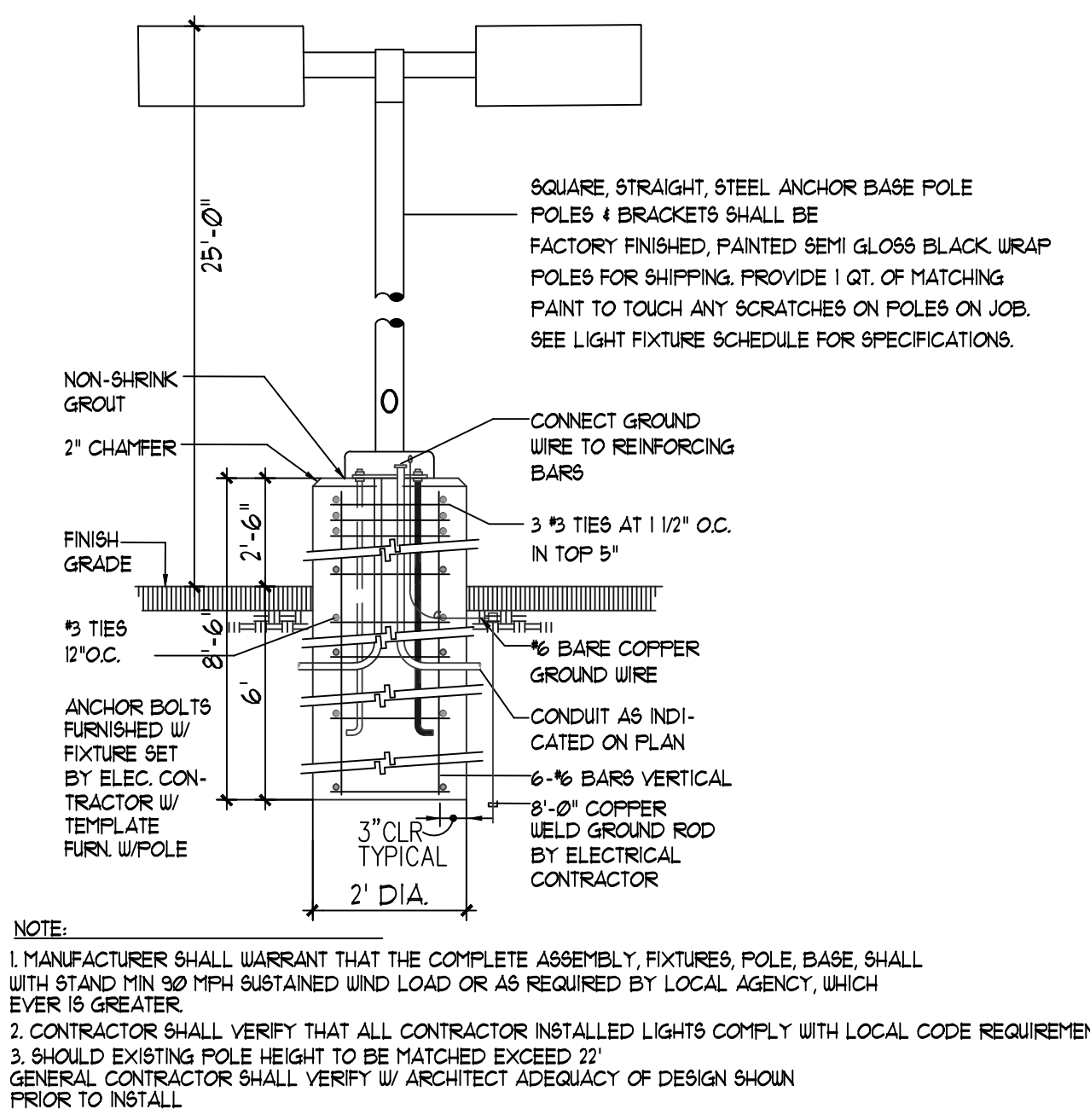
9 ISLAND DETAIL
 N.T.S.



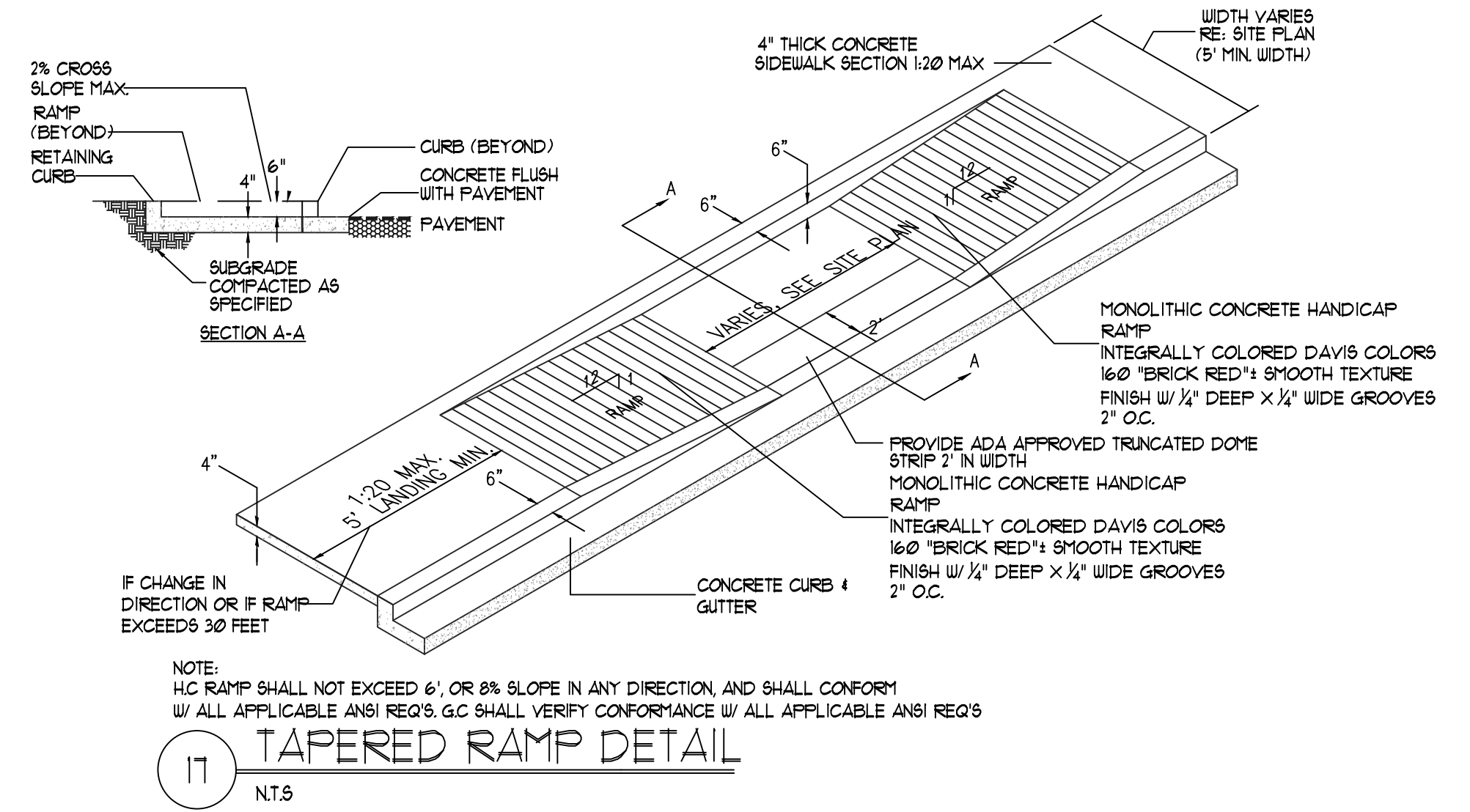
7 TYPICAL SIDEWALK
 N.T.S.



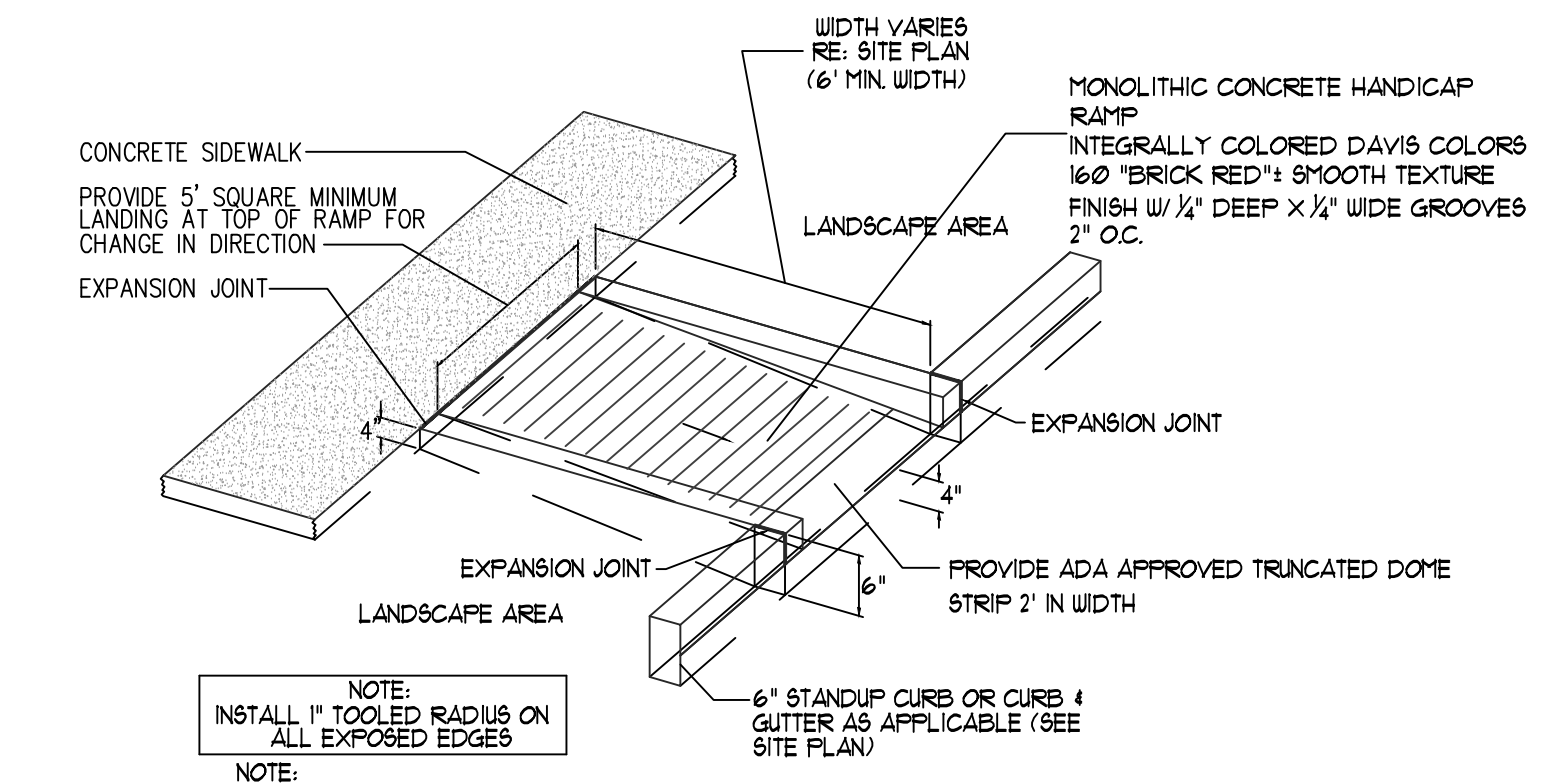
4 BOLLARD DETAIL
 N.T.S.



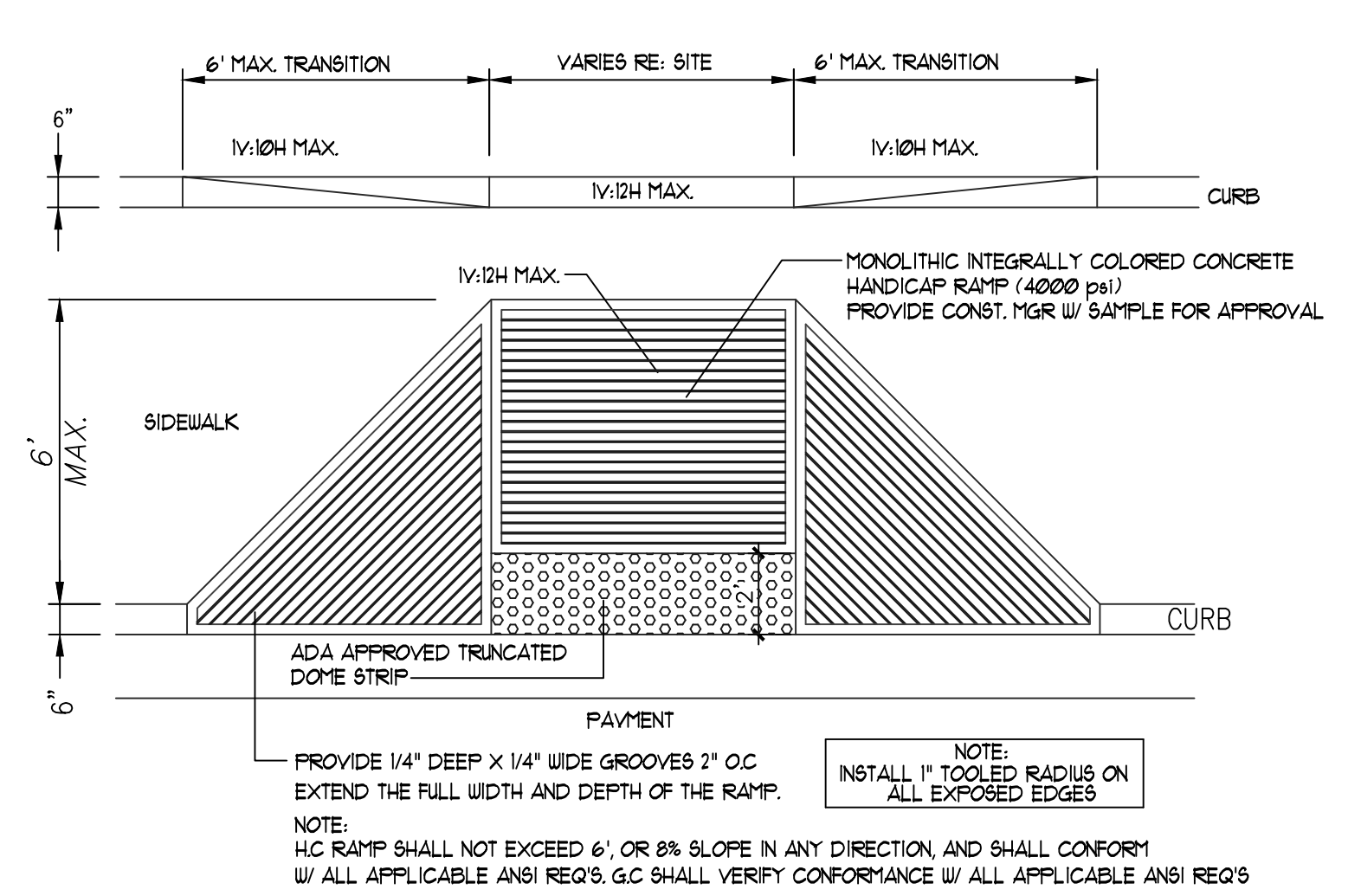
3 LIGHT POLE DETAIL
 N.T.S.



17 TAPERED RAMP DETAIL
 N.T.S.



16 CURBED RAMP DETAIL
 N.T.S.



15 FLARED H.C RAMP
 N.T.S.