



LANDSCAPE LEGEND

QTY	SIZE	COMMON/BOTANICAL	H2O USE
Trees			
6	2" cal	Chinese Pistache <i>Pistacia chinensis</i>	1225 1350 M+
4	2" cal	Honey Locust <i>Gleditsia triacanthos</i>	2025 2100 M
4	6 - 8'	Austrian Pine <i>Pinus nigra</i>	625 2500 M
5	4 - 6'	Crape Myrtle <i>Lagerstroemia indica</i>	400 2000 M
2	4 - 6'	Palm Yucca <i>Yucca faxoniana</i>	36 12 M
8	15 Gal.	Oklahoma Redbud <i>Cercis reniformis</i>	144 5160 M
3	15 Gal	Desert Willow <i>Chilopsis linearis</i>	625 1875 M
Shrubs & Groundcovers			
27	5 Gal	India Hawthorne <i>Raphiolepis indica</i>	25 525 M
13	5 Gal	Feather Reed Grass <i>Calamagrostis arundinacea</i>	4 52 M
12	5 Gal	Wintergreen Barberry <i>Berberis julianae</i>	25 300 M
9	5 Gal	Butterfly Bush <i>Buddleia davidii</i>	5x5 25 225 M
11	5 Gal	Winter Jasmine <i>Jasminum nudiflorum</i>	4x12 144 1584 M
24	5 Gal	Buffalo Juniper <i>Juniperus sabino 'Buffalo'</i>	1x12 144 3456 M
25	5 Gal	Cherry Sage <i>Salvia greggii</i>	2x3 9 225 M
30	5 Gal	Blue Mist <i>Caryopteris x clandonensis</i>	3x3 9 270 M
14	5 Gal	Fern Bush <i>Chamaebotaria millefolium</i>	5x6 36 504 L
4	5 Gal	Apache Plume <i>Fallugia paradoxa</i>	6x1 49 196 L
4	5 Gal	Chamisa <i>Chrysothamnus nauseosus</i>	5x1 49 196 L
22	2-3cf	Boulders	To be placed at contractor discretion
18150		Landscape Gravel / Filter Fabric	3/4" Crushed Grey
200		Oversize Landscape Gravel / Filter Fabric	2-4" Mountain Brown

LANDSCAPE NOTES:
Landscape maintenance shall be the responsibility of the Property Owner. The Property Owner shall maintain street trees and shrubs in a living, healthy, and attractive condition.

Water management is the sole responsibility of the Property Owner. All landscaping will be in conformance with the City of Bernalillo Zoning Code. In general, water conservative, environmentally sound landscape principles will be followed in design and installation.

Gray Gravel over Filter Fabric to a minimum depth of 3" shall be placed in all landscape areas which are not designated to receive native seed.

IRRIGATION NOTES:
Irrigation system maintenance and operation shall be the sole responsibility of the owner. It shall be the owners responsibility to ensure that fugitive water does not leave the site due to overwatering.

Irrigation shall be a complete underground system with Trees to receive 1 Netam spiral (50' length) with 3 loops at a final radius of 45" from tree trunk, pinned in place. Netam shall have emitters 12" o.c. with a flow of 6 gph. Shrubs to receive (2) 1/2 GPH Drip Emitters. Drip and Bubbler systems to be tied to 1/2" polytube with flush caps at each end.

Run time per each shrub drip valve will be approximately 15 minutes per day. Tree drip valve shall run 15 hours, 3 times per week. Run time will be adjusted according to the season.

Point of connection for irrigation system is unknown at current time and will be coordinated in the field. Irrigation will be operated by automatic controller.

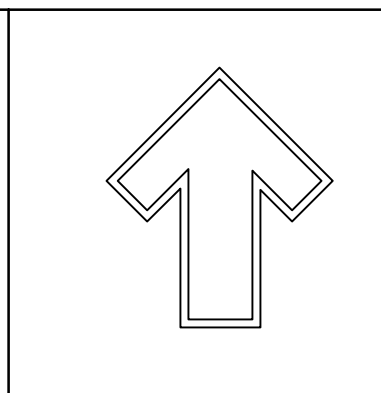
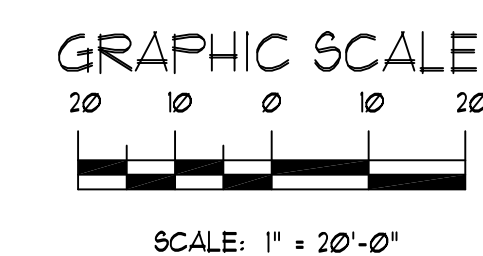
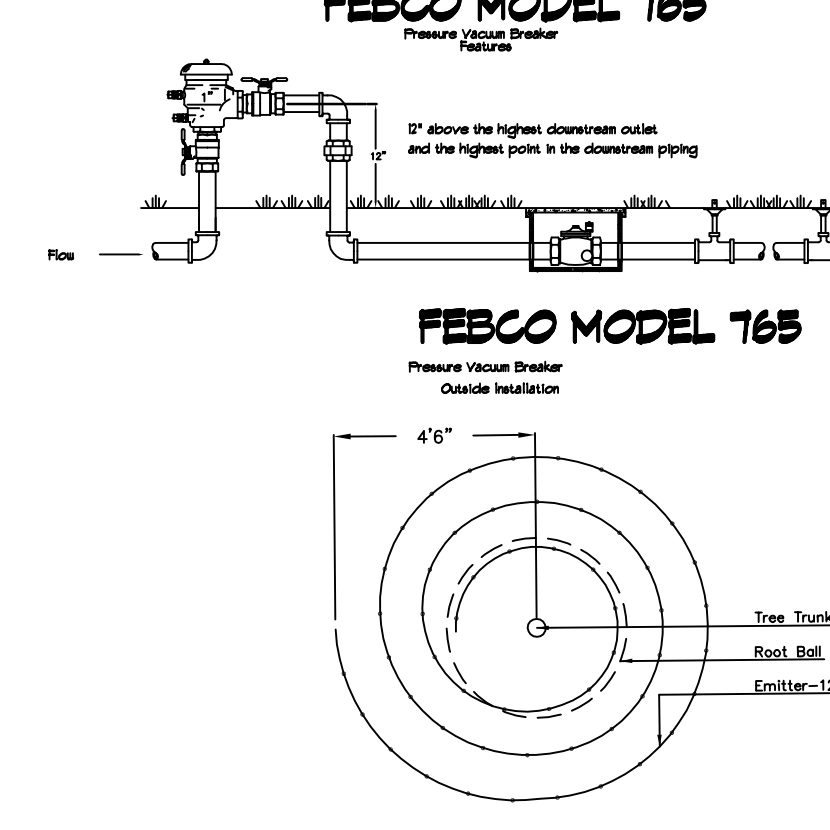
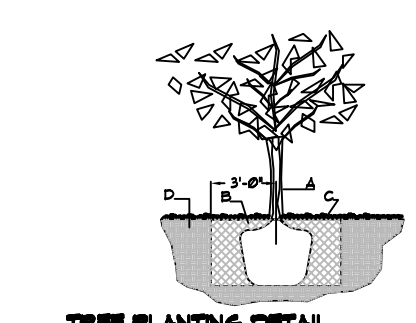
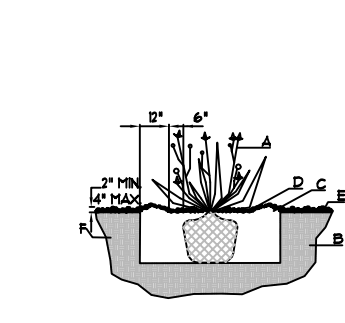
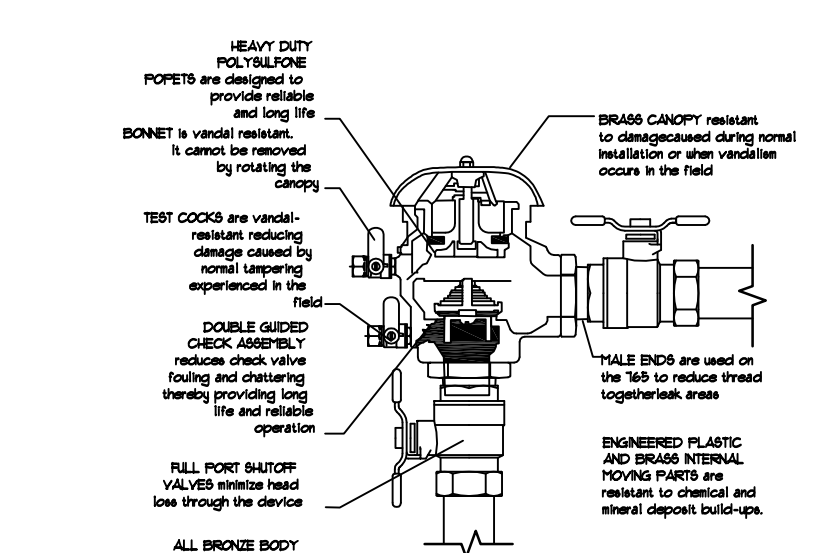
Location of controller to be field determined and power source for controller to be provided by others.

Irrigation maintenance shall be the responsibility of the Property Owner.

Water and Power source shall be the responsibility of the Developer/Builder.

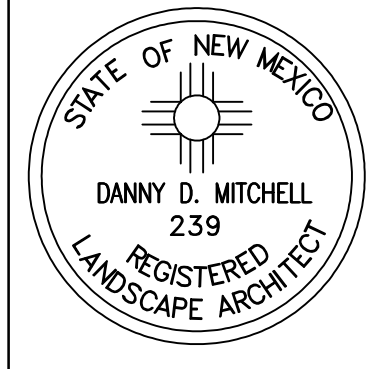
LANDSCAPE CALCULATIONS

TOTAL LOT AREA (sf)	110710
TOTAL BUILDING AREA (sf)	14063
TOTAL LOT AREA (sf)	63001
LANDSCAPE REQUIREMENT	X .15
TOTAL LANDSCAPE REQUIRED (15%)	9451
TOTAL ON-SITE LANDSCAPE PROVIDED	18130
TOTAL LIVE GROUND COVER REQUIRED (30%)	5430
TOTAL LIVE GROUND COVER PROVIDED	7533



The Hilltop
1909 Edith NE
Albuquerque, NM 87113
Cont. Lic. #16458
PH: (505) 898-3630
FAX: (505) 898-1131
danny@hilltoplandscaping.com

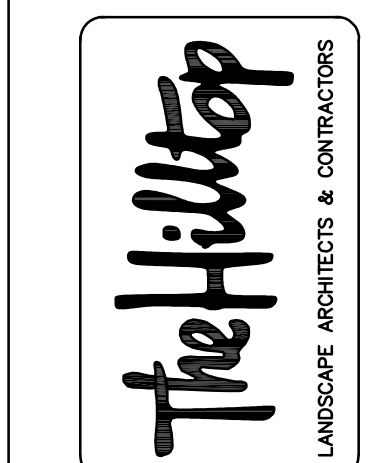
Landscape Architect



110E
8101 Alameda Park NE
Albuquerque, NM

LANDSCAPE PLAN

The design contained herein remains the property of The Hilltop Landscape Architects and is provided by copyright. It is to be retained or copied unless applicable laws have been paid or a job order placed.



DRAWN BY
REVISION
DATE
09/13/2017

SHEET #
LS-101