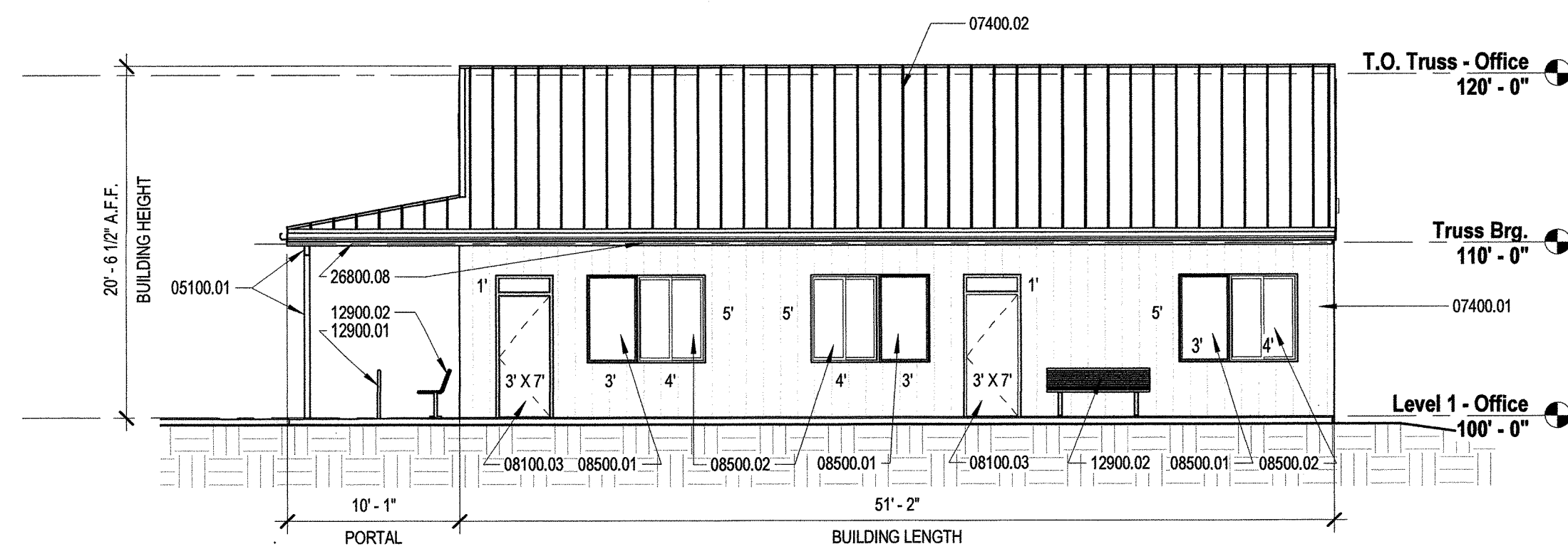


**GENERAL NOTE: EXTERIOR LIGHT FIXTURES**

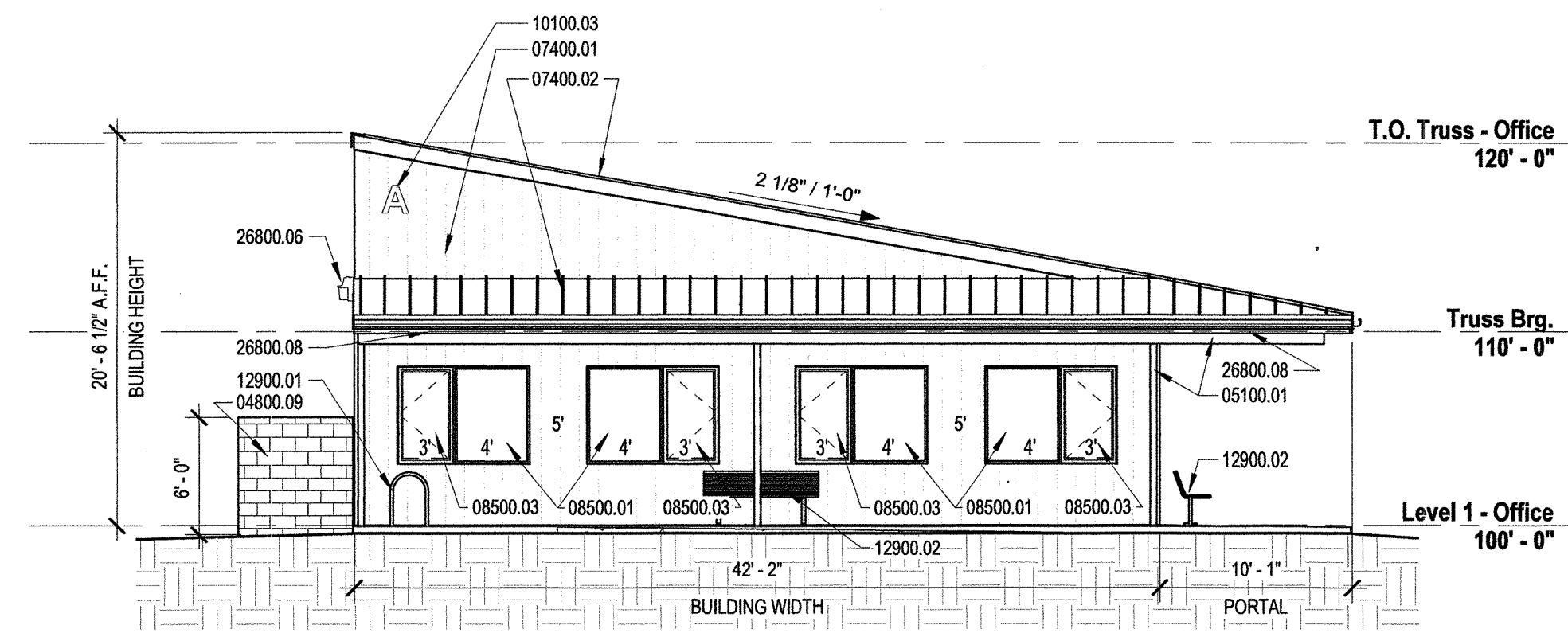
LIGHT FIXTURES SHALL HAVE FULL CUT-OFF SHIELDS SO THAT NO FUGITIVE LIGHT ESCAPES BEYOND THE PROPERTY LINE. ALL LIGHT FIXTURES SHALL BE SHIELDED ACCORDINGLY.

**KEYED NOTES:**

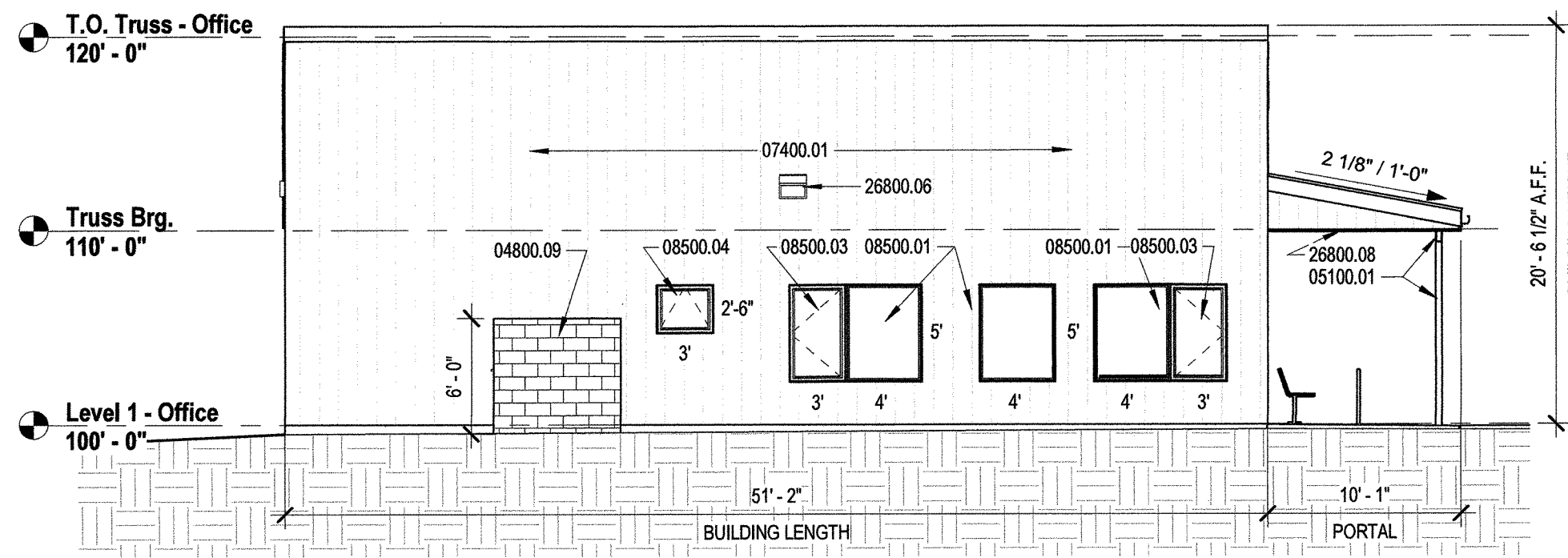
- 03200.22 6" THICK 4,000 PSI CONCRETE SLAB WITH 3/4" AGGREGATE AND 6X6 - 10/10 WWM.
- 04800.02 4" X 8" X 16" SOLID CAP BLOCK.
- 04800.07 CMU REFUSE ENCLOSURE, 8" X 8" X 16" CMU BLOCK WITH 4" X 8" X 16" CAP BLOCK, DARK GRAY COLOR (PETRO BLACK BY CREGO).
- 04800.09 MECHANICAL EQUIPMENT SCREEN, 8"X8"X16" CMU, DARK GRAY COLOR (PETRO BLACK BY CREGO), 6" HIGH ABOVE FINISH GRADE.
- 05100.01 STEEL COLLUMNS (TYPICAL OF 3) AND STEEL BEAM, PRIME AND PAINT DARK GRAY.
- 05500.15 6" Ø STEEL PIPE BOLLARD FILLED WITH CONCRETE, TYPICAL, PRIME AND PAINT YELLOW.
- 05500.18 HSS 6X6 CONCRETE FILLED GATE POST, FILL WITH CONCRETE AND WELD STEEL PLATE ON TOP, PRIME AND PAINT DARK GRAY.
- 07400.01 VERTICAL METAL WALL PANELS, 12" WIDE X 22 GA. FIRESTONE "UC-500" FLUSH PANEL SYSTEM, SILVER / GRAY COLOR.
- 07400.02 METAL ROOF PANELS: STANDING SEAM METAL ROOF, SILVER / GRAY COLOR.
- 08100.01 METAL DOOR IN HOLLOW METAL FRAME. SEE DOOR SCHEDULE. ATTACH FRAME TO CMU WITH MASONRY ANCHORS, PRIME AND PAINT DARK GRAY.
- 08100.02 HOLLOW METAL GATE WITH HEAVY DUTY HINGES WELDED TO STEEL PIPE, PRIME AND PAINT DARK GRAY.
- 08100.03 HOLLOW METAL DOOR AND FRAME WITH FIXED TRANSOM WINDOW, PRIME AND PAINT SILVER.
- 08500.01 FIXED ALUMINUM CLAD WOOD WINDOW, SILVER FRAME COLOR.
- 08500.02 OPERABLE ALUMINUM CLAD WOOD WINDOW (SLIDING), SILVER FRAME COLOR.
- 08500.03 OPERABLE ALUMINUM CLAD WOOD WINDOW (CASEMENT), SILVER FRAME COLOR.
- 08500.04 OPERABLE WINDOW (AWNING), SILVER FRAME COLOR.
- 10100.03 BUILDING I.D. LETTER, 18" HIGH LETTER WITH MINIMUM 3" STROKE. I.D. LETTER SHALL HAVE A CONTRASTING COLOR (PURPLE) TO THE BUILDING MATERIAL. IT IS MOUNTED ON AND SHALL BE CLEARLY DISTINGUISHABLE FROM THE FIRE APPARATUS ACCESS ROAD.
- 10100.06 MOTORCYCLE PARKING SIGN.
- 12900.01 BIKE RACK.
- 12900.02 BENCH.
- 26800.06 WALL MOUNTED LIGHT FIXTURE.
- 26800.08 LIGHT FIXTURE LOCATED BELOW STRUCTURE.
- 32100.04 MOTORCYCLE PARKING SPACE, 4'-0" WIDE X 8'-0" LONG, MINIMUM.



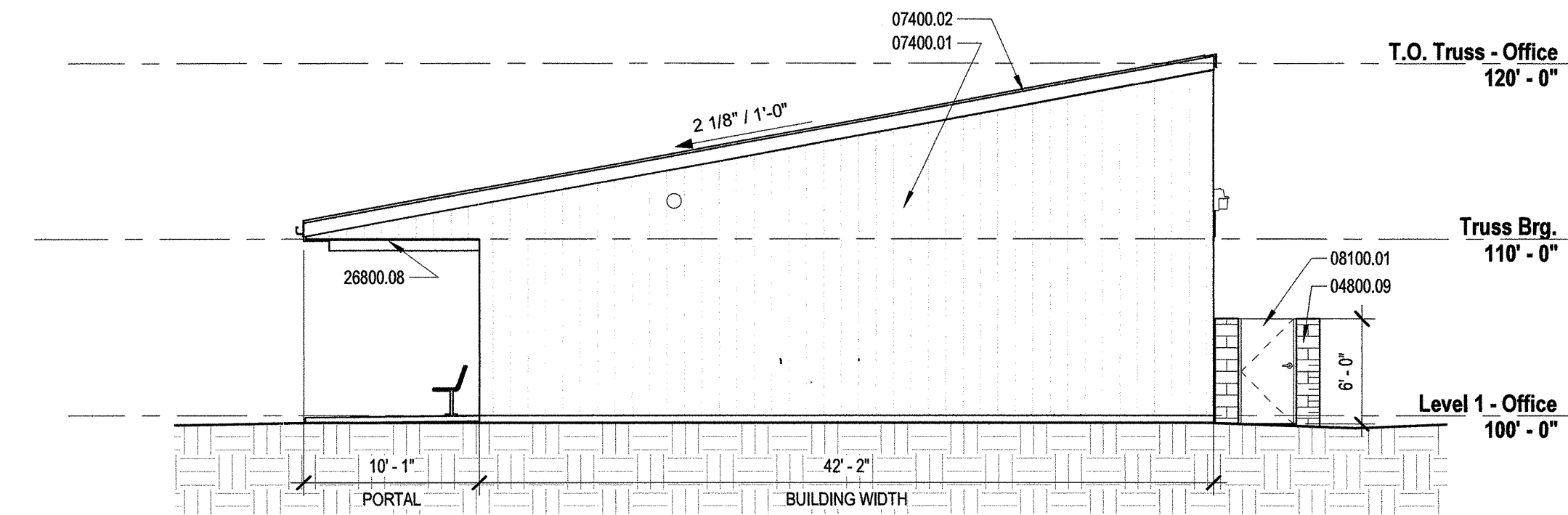
**D1 South Elevation - Office**  
1/8" = 1'-0"



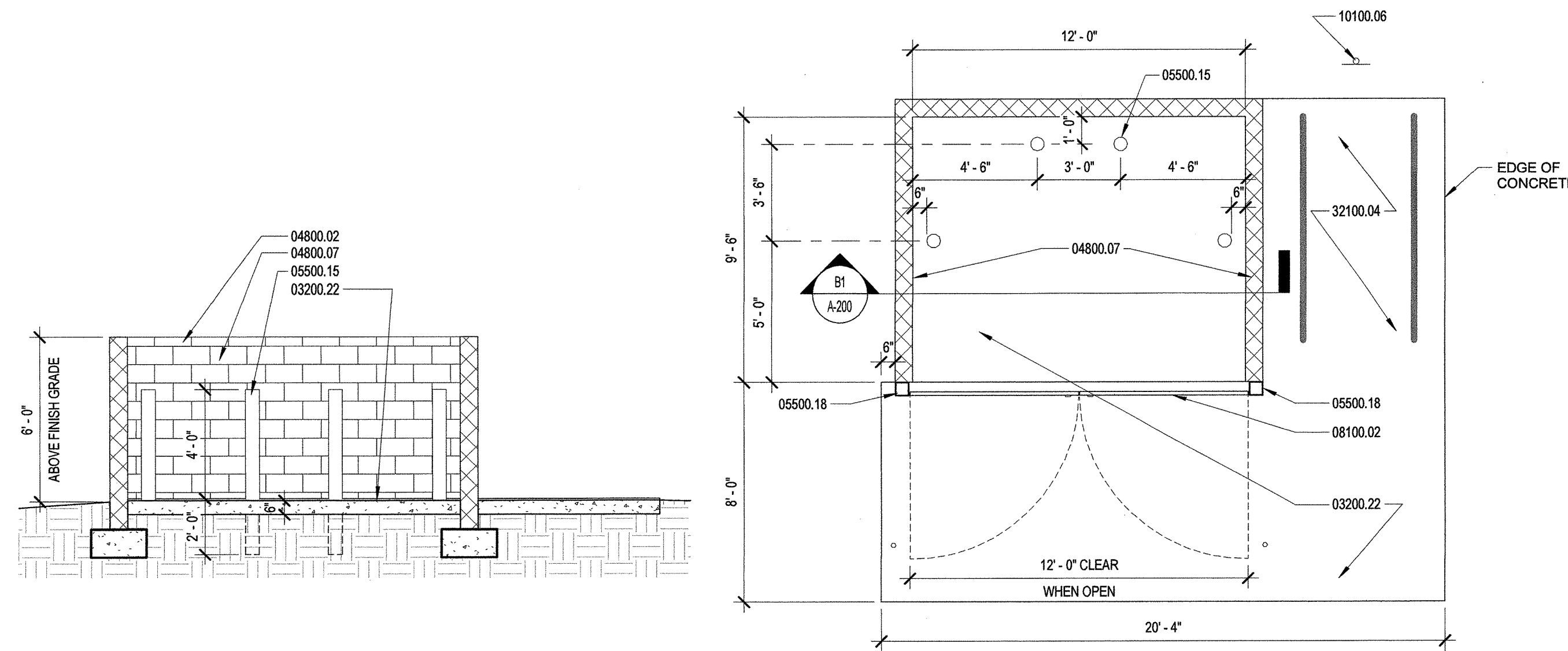
**D3 West Elevation - Office**  
1/8" = 1'-0"



**C1 North Elevation - Office**  
1/8" = 1'-0"

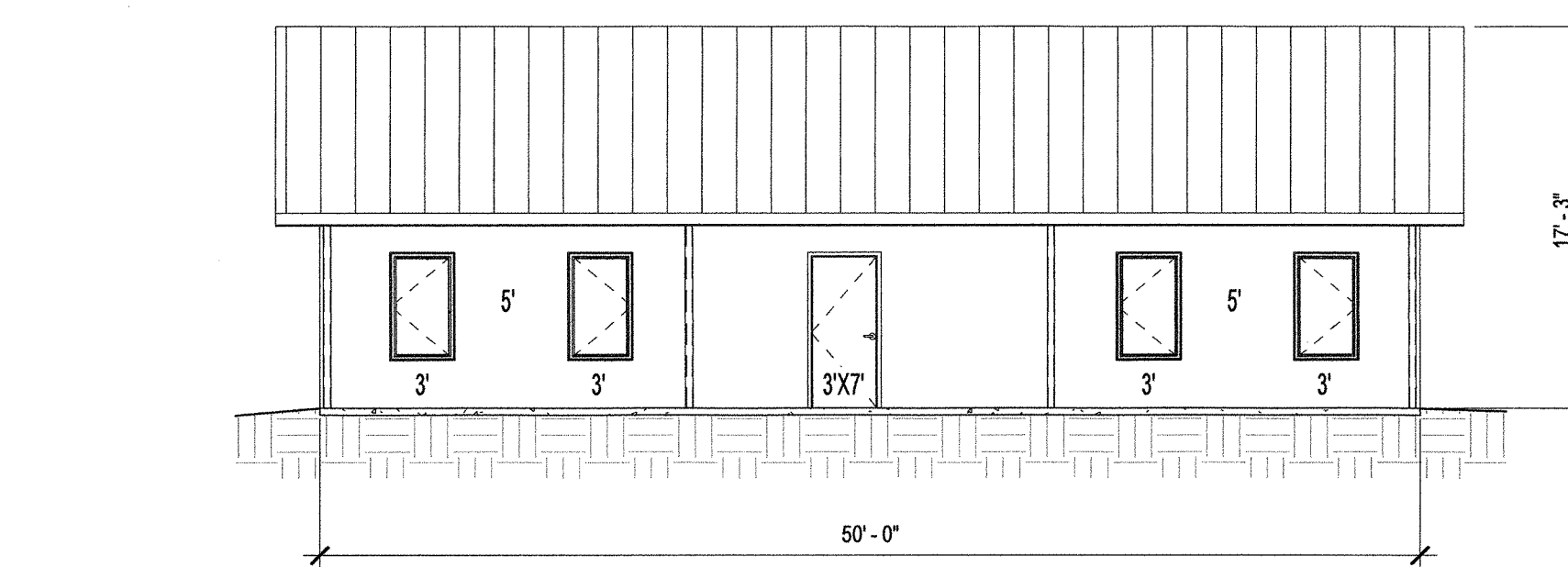


**C3 East Elevation - Office**  
1/8" = 1'-0"

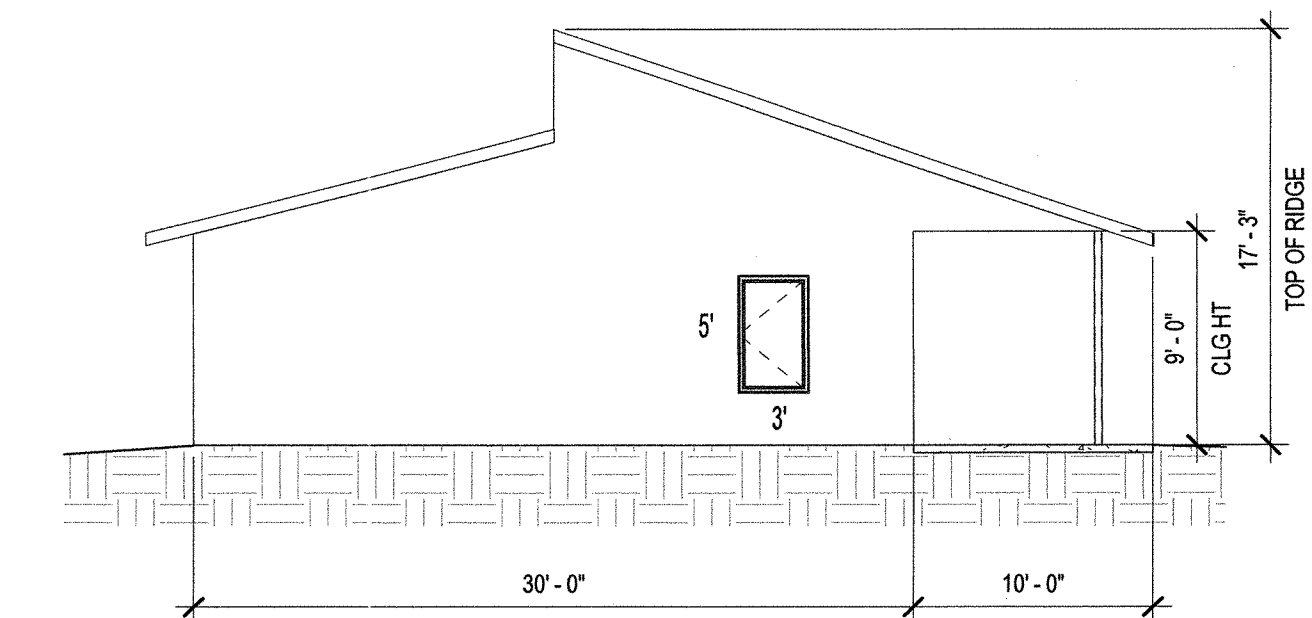


**B1 Refuse Enclosure Section**  
1/4" = 1'-0"

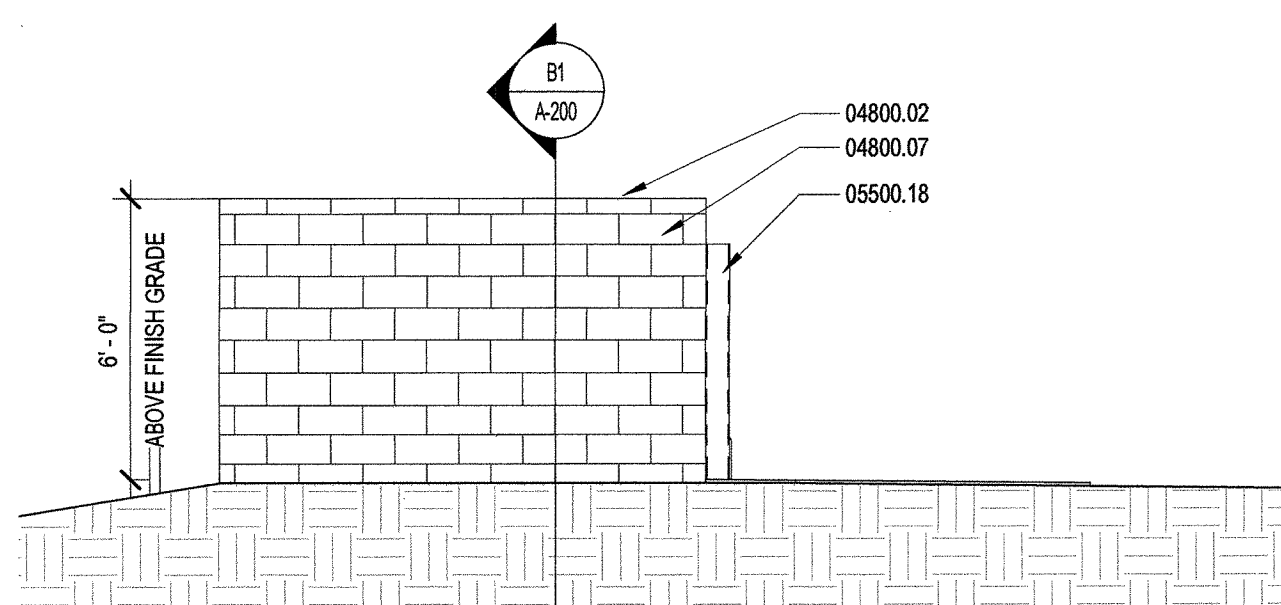
**B2 Refuse Enclosure Plan**  
1/4" = 1'-0"



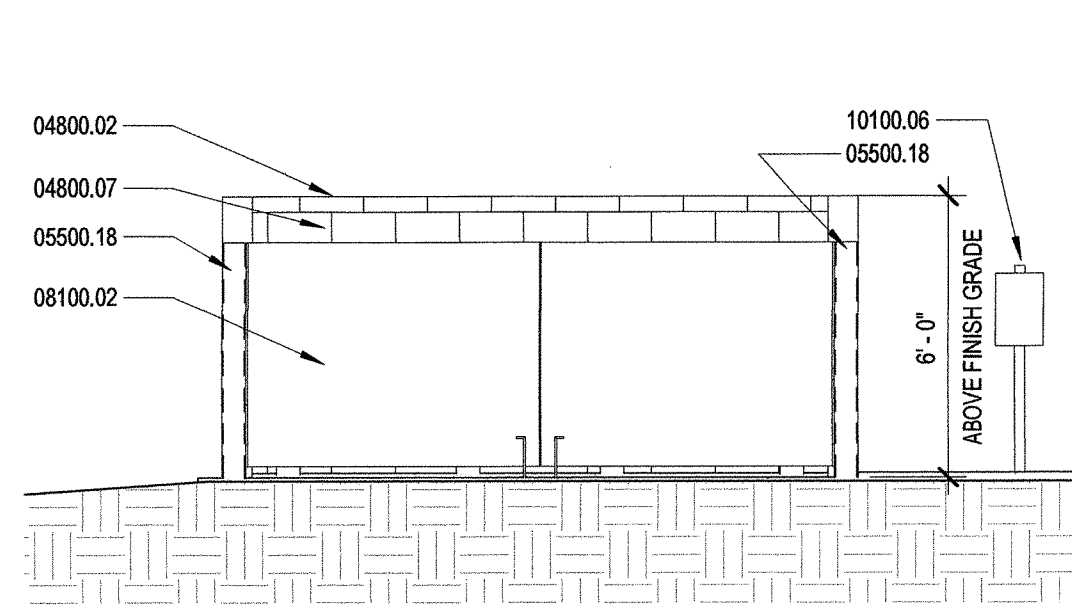
**B3 FUTURE CARETAKER RESIDENCE - SOUTH ELEVATION**  
1/8" = 1'-0"



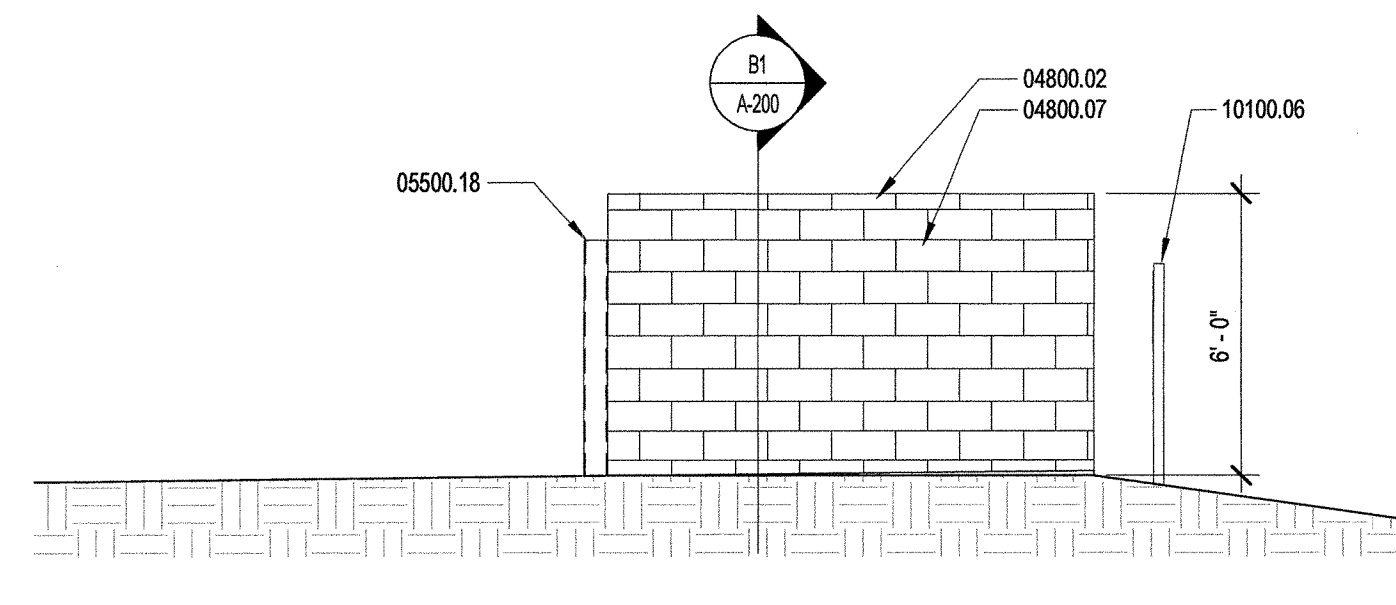
**B4 FUTURE CARETAKER RESIDENCE - WEST ELEVATION**  
1/8" = 1'-0"



**A1 North Elevation - Refuse Enclosure**  
1/4" = 1'-0"



**A2 West Elevation - Refuse Enclosure**  
1/4" = 1'-0"



**A3 South Elevation - Refuse Enclosure**  
1/4" = 1'-0"

LEE GAMELSKY ARCHITECTS P.C.

2412 MILES ROAD SE  
ALBUQUERQUE, NM 87106  
505.842.8865 FAX 842.1693  
lee@gamsm.com

LEE D. GAMELSKY  
No. 1931  
REGISTERED ARCHITECT

**L&C TRANSPORT OFFICE AND SHOP**

108 94th St. NW, Albuquerque, New Mexico 87121

PROJECT ARCHITECT:  
LEE GAMELSKY, AIA

Date: 30 APRIL 2018

**EXTERIOR ELEVATIONS - OFFICE BLDG & REFUSE ENCLOSURE**

By: WTB  
SITE DEVELOPMENT PLAN

Sheet: 5 Of 7  
A-200

5/1/2018 10:17:52 AM