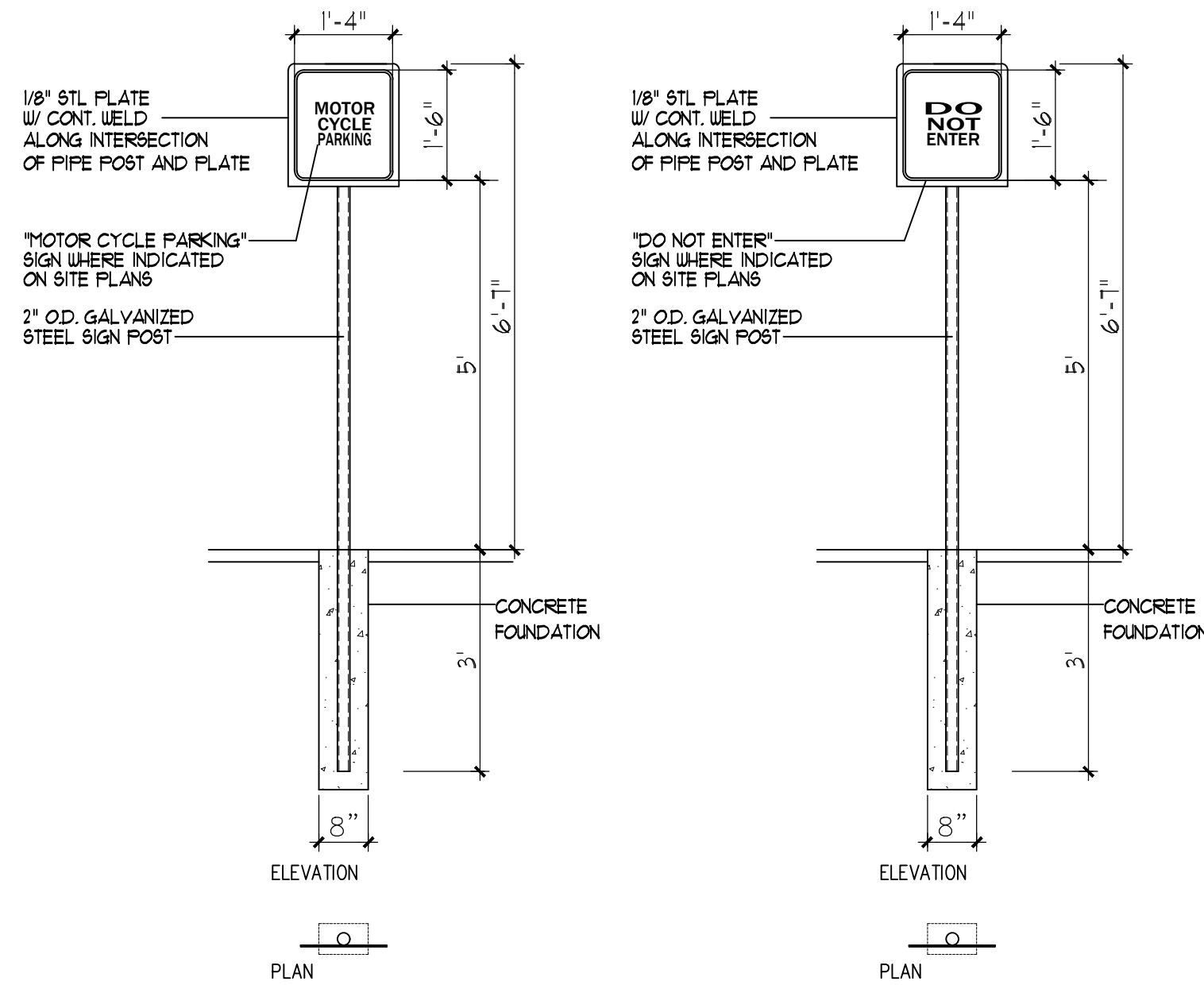


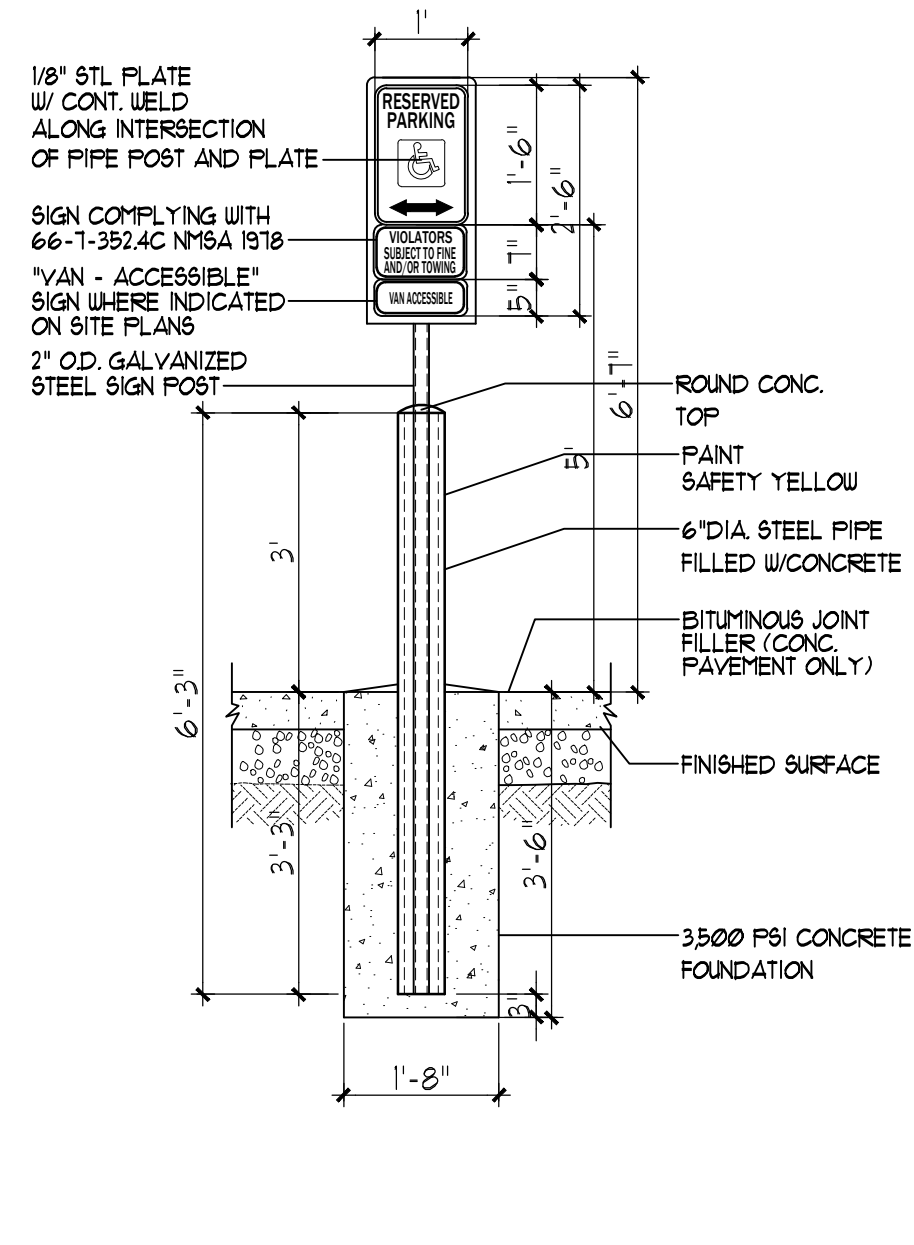
NOTE: \*MODIFY SIZE FOR # OF SPACES REQUIRED- CITY OF ALBUQUERQUE STANDARDS 1 BIKE SPACE/20 REQ. PARKING SPACES = 2 SPACES REQUIRED

14 BIKE RACK  
NTS

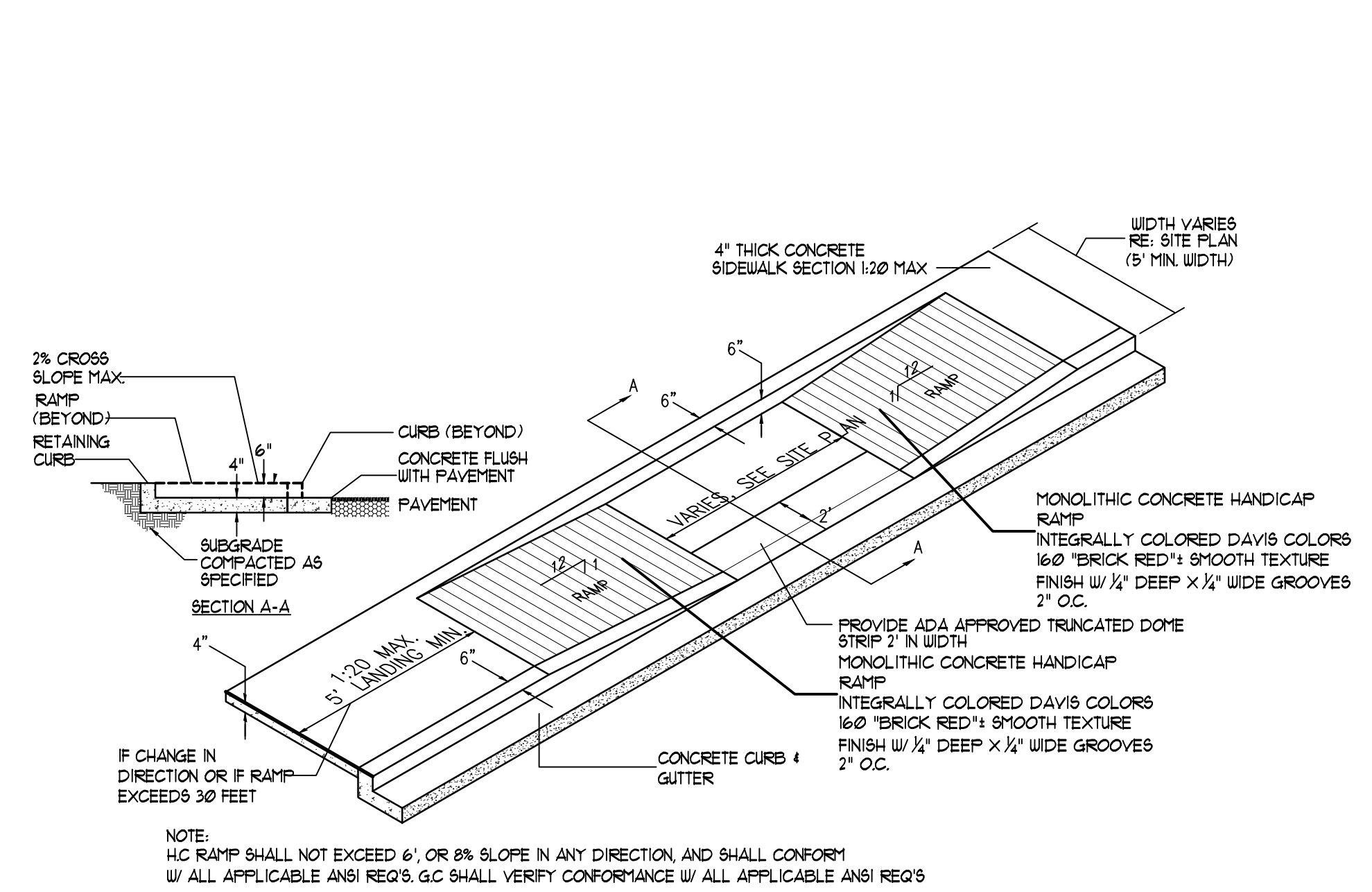


13 MISC. SIGNAGE  
NTS

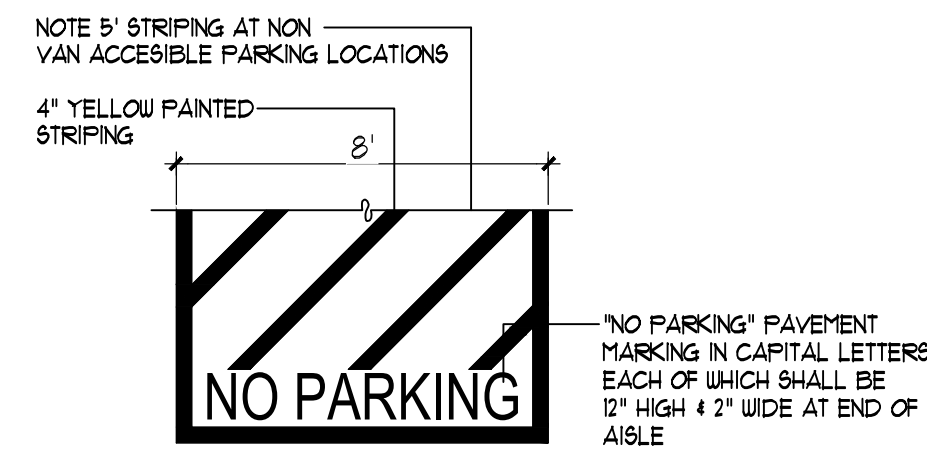
12 MISC. SIGNAGE  
NTS



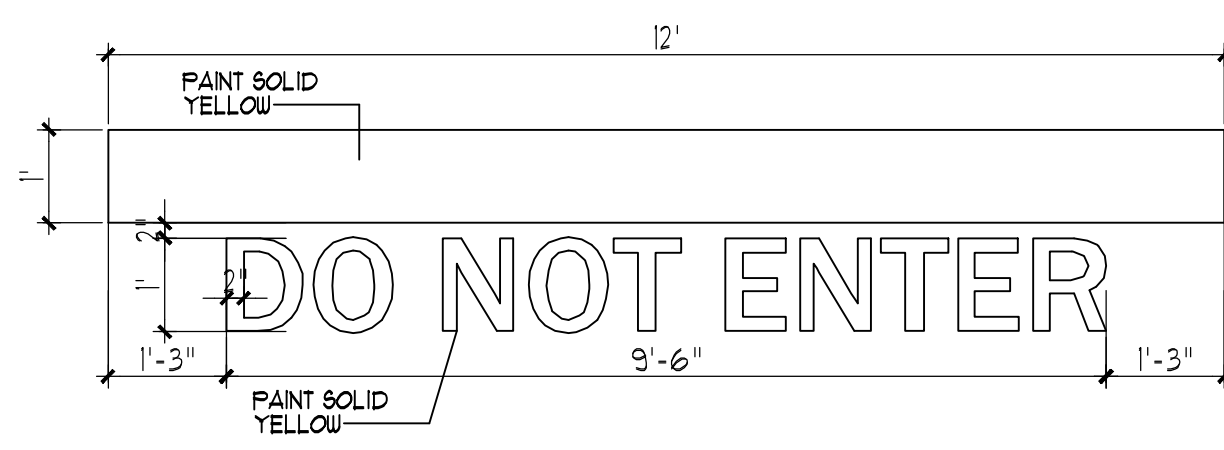
11 H.C. SIGNAGE  
NTS



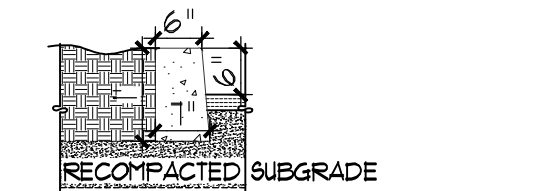
10 TAPERED RAMP DETAIL  
NTS



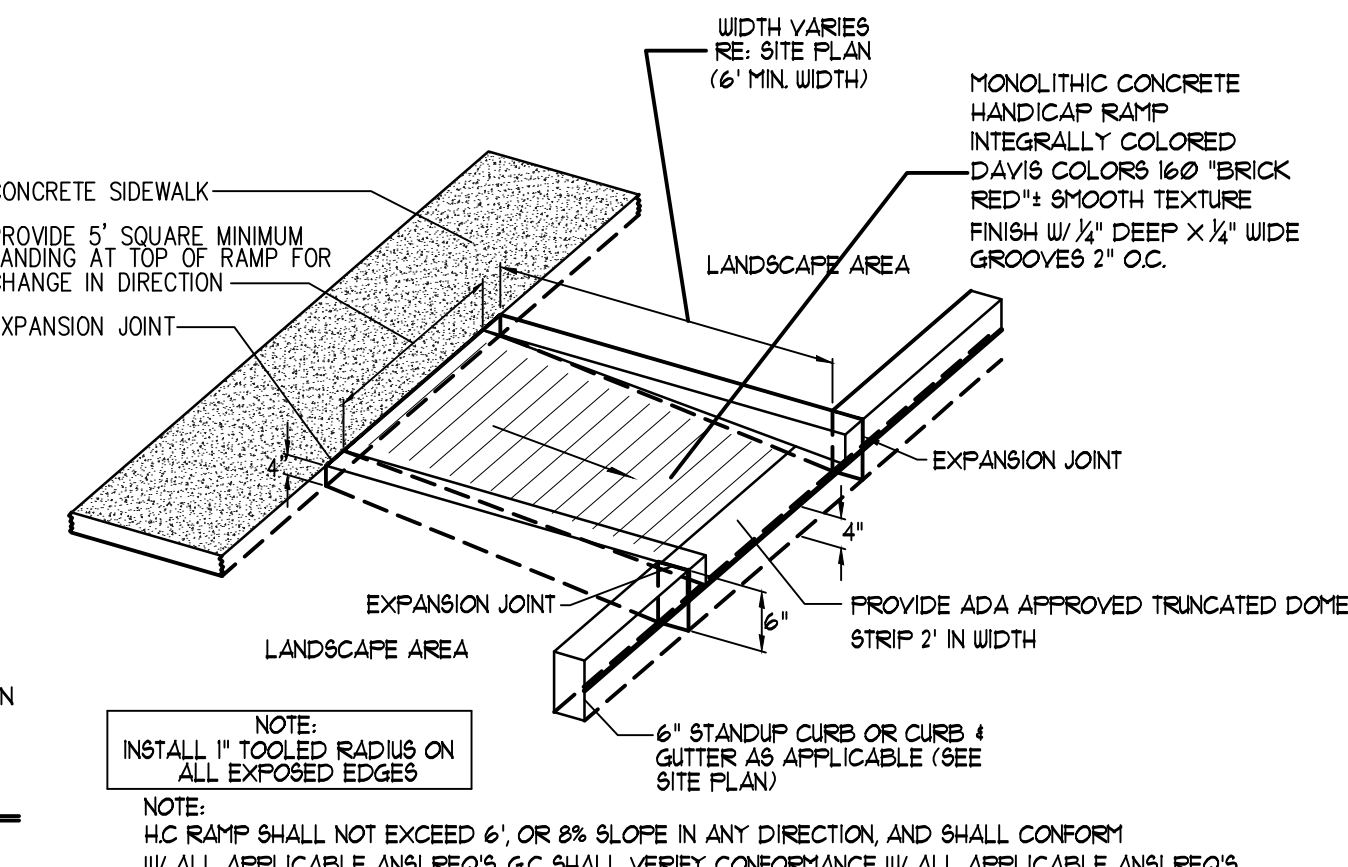
9 H.C. PARKING AISLE PAINT DETAIL  
NTS



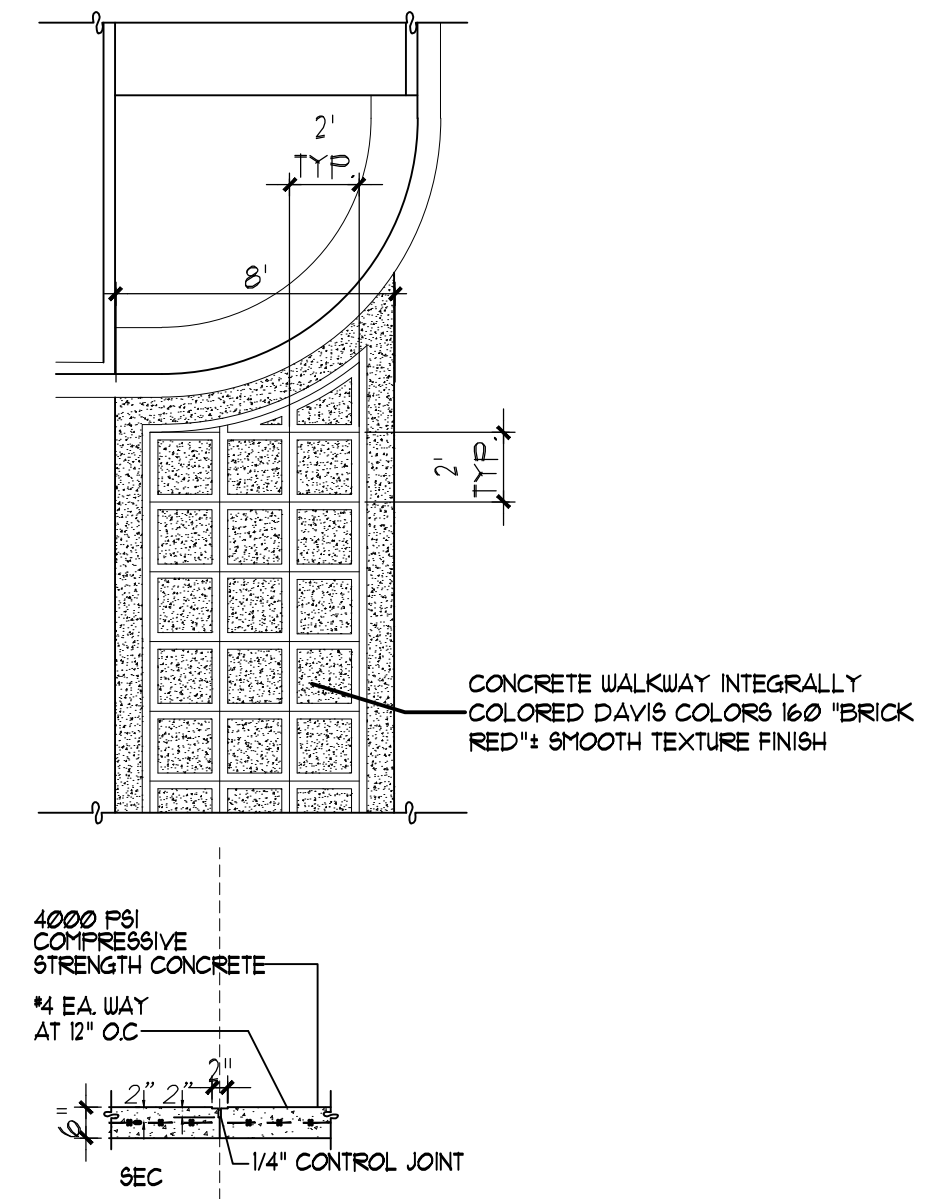
8 SITE DIRECTIONAL PAINT DETAIL  
NTS



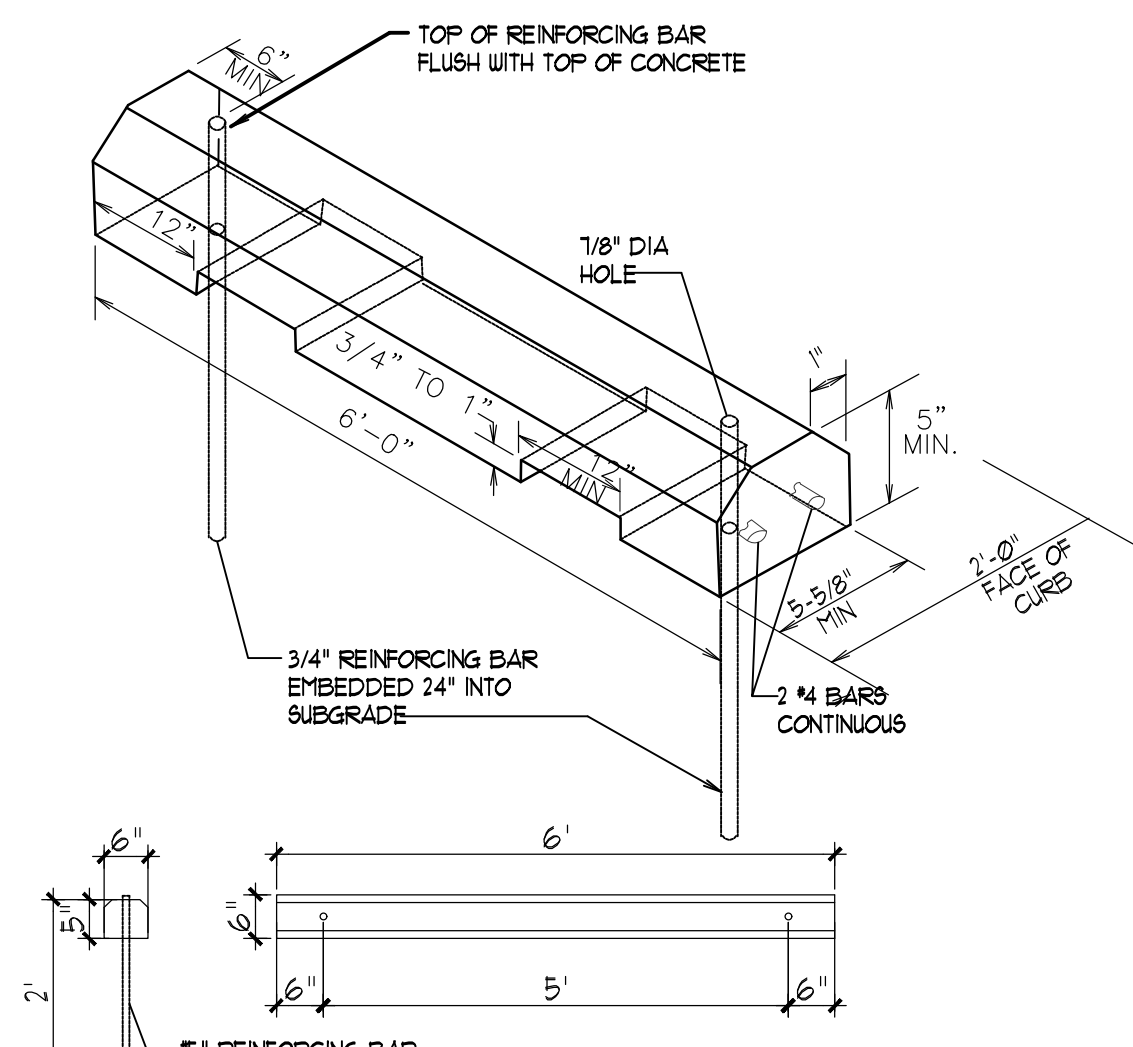
7 HEADER CURB DETAIL  
NTS



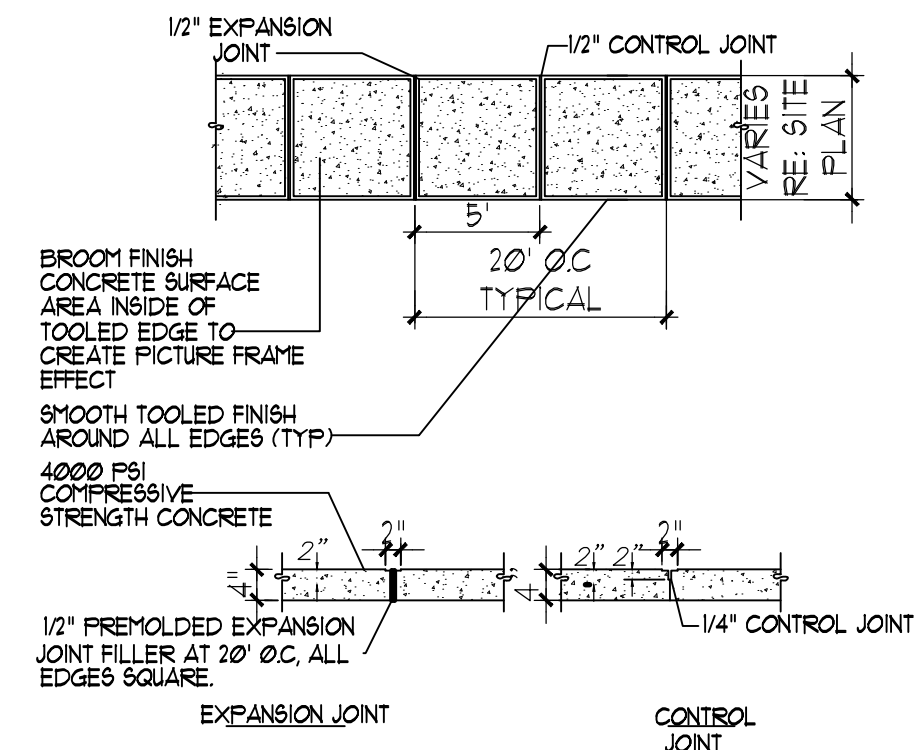
6 CURB RAMP DETAIL  
NTS



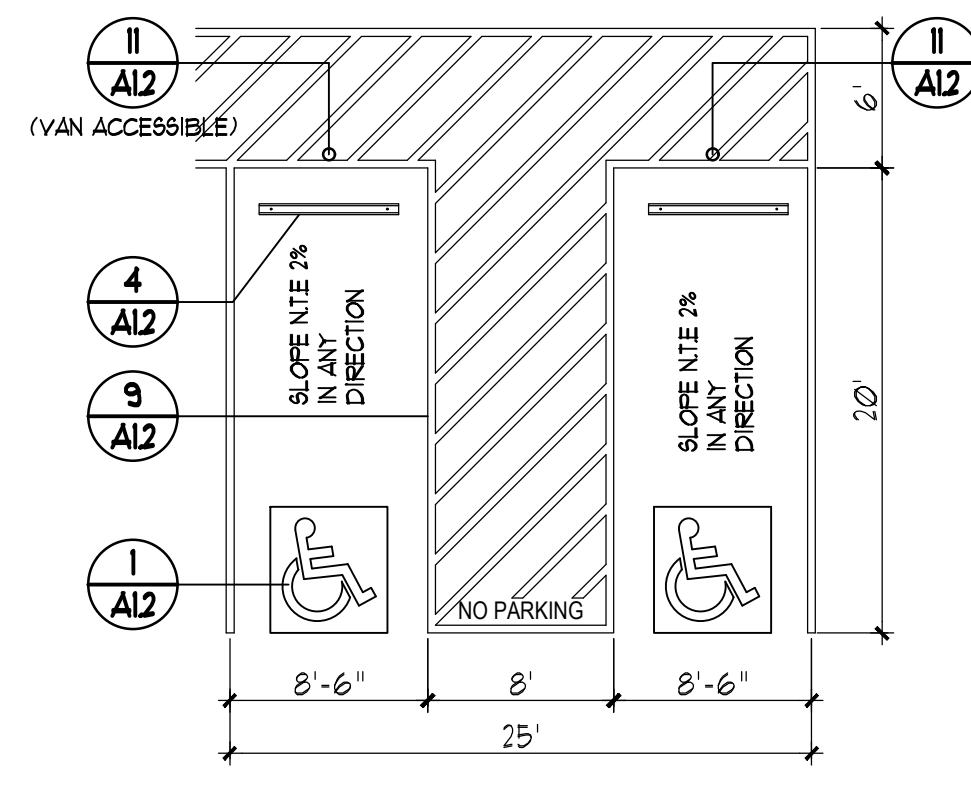
5 TYPICAL CONCRETE CROSSWALK  
NTS



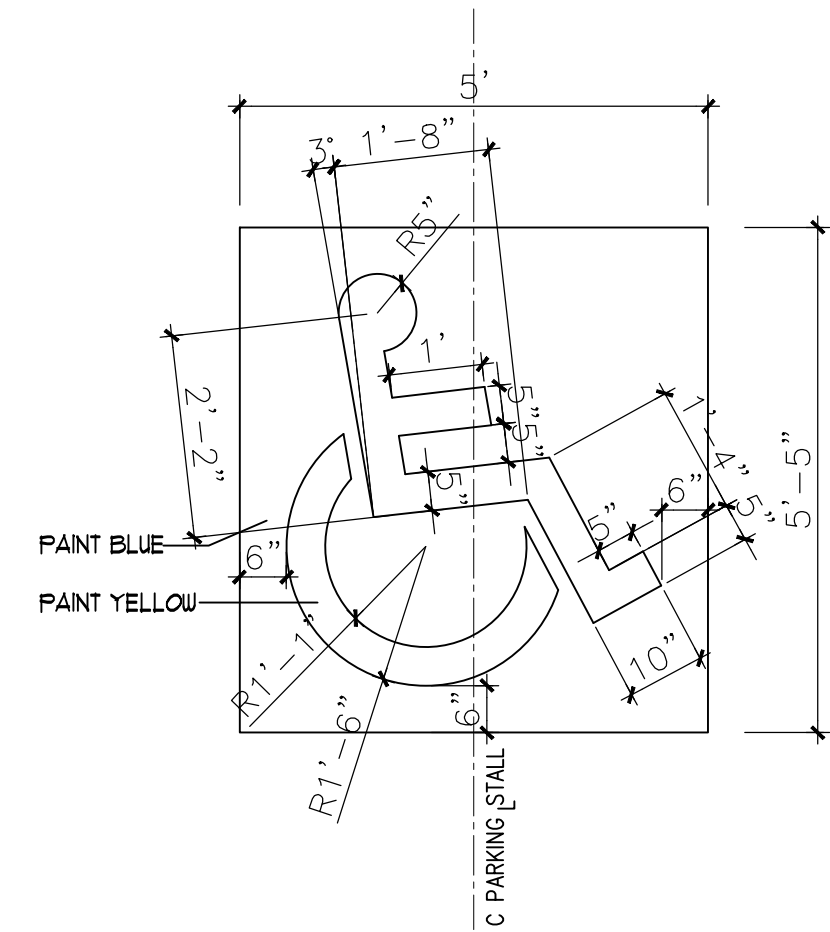
4 WHEEL STOP  
NTS



3 TYPICAL SIDEWALK  
NTS



2 H.C. PARKING PLAN DETAIL  
NTS



1 H.C. SIGNAGE  
NTS

**MODULUS ARCHITECTS**  
 100 SUN AVENUE NE SUITE 305  
 ALBUQUERQUE, NEW MEXICO 87109  
 PHONE (505) 338-1499 FAX (505) 338-1498

PROJECT TITLE: ENTERPRISE RENT-A-CAR  
 3500 COORS BLVD NW  
 ALBUQUERQUE, NT 87102

PROJECT MANAGER: STEPHEN DUNBAR, AIA  
 JOB NO. ...

DRAWN BY: CDC  
 SHEET TITLE: SITE DETAILS

DATE: 09/25/2018  
 SCALE: AS NOTED  
 SHEET: A5501

REV	DATE	BY	REVISION
1			
2			
3			
4			
5			