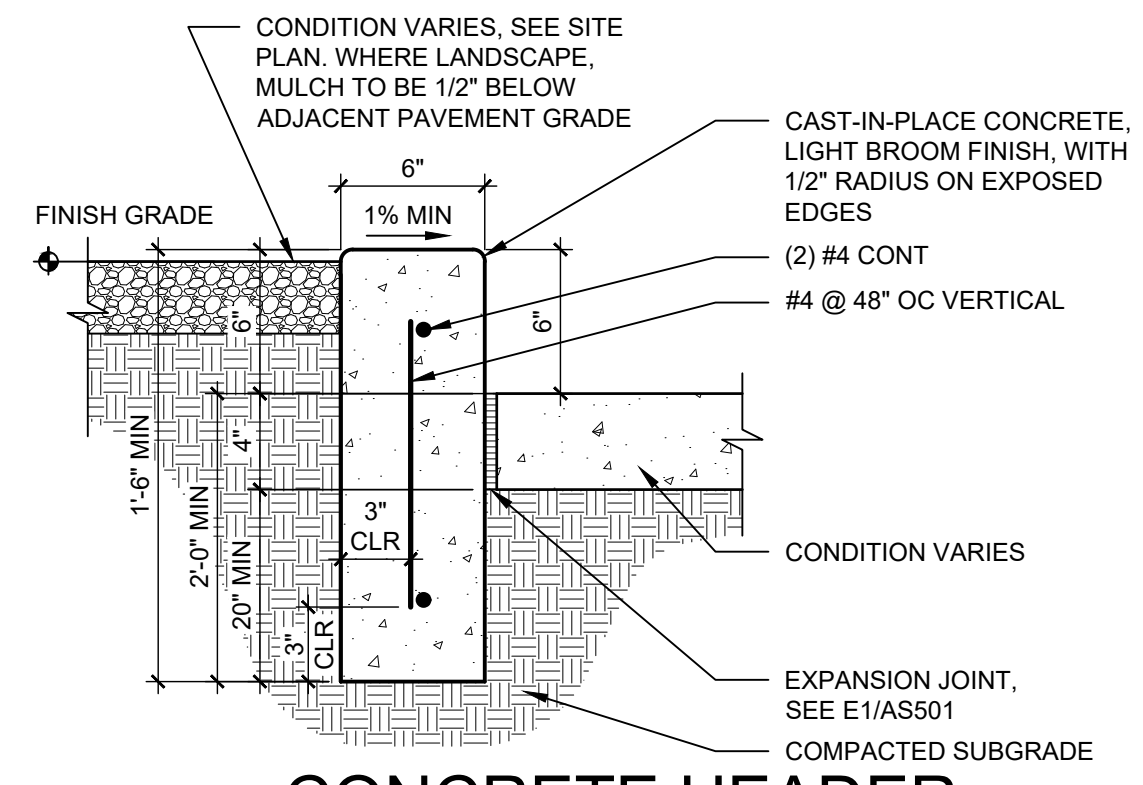
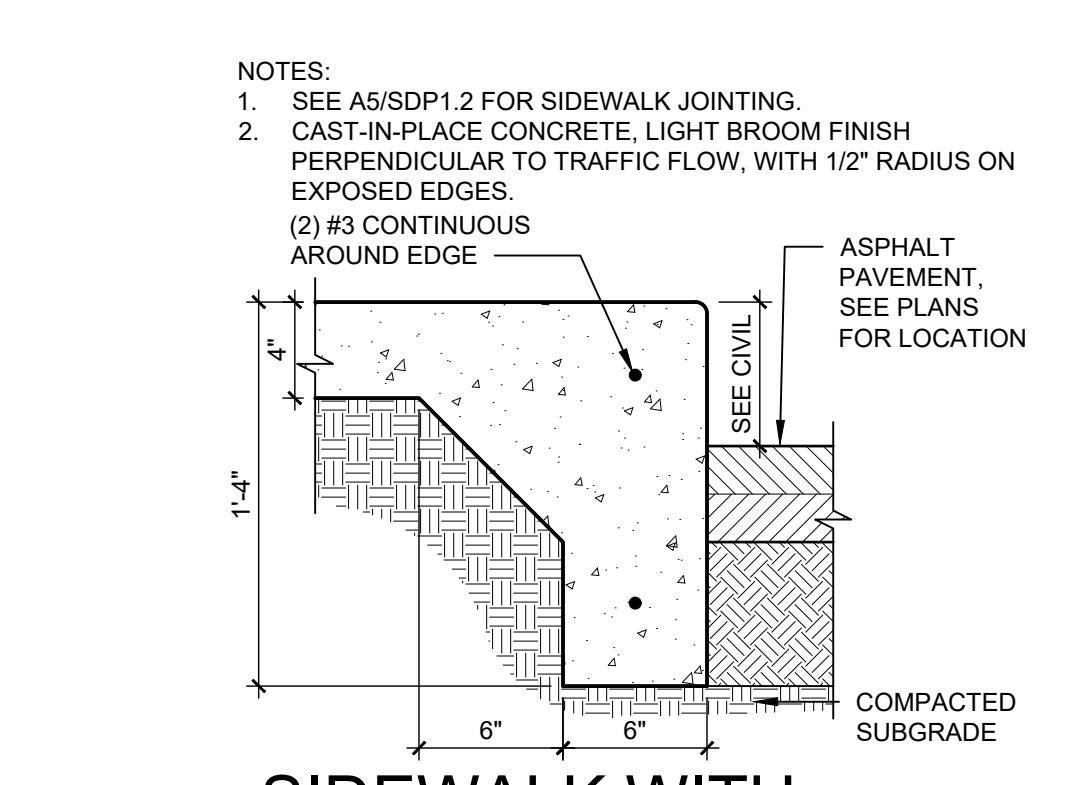


NOTES:
1. SEE PLANS FOR EXTENTS OF CURB PAINT.

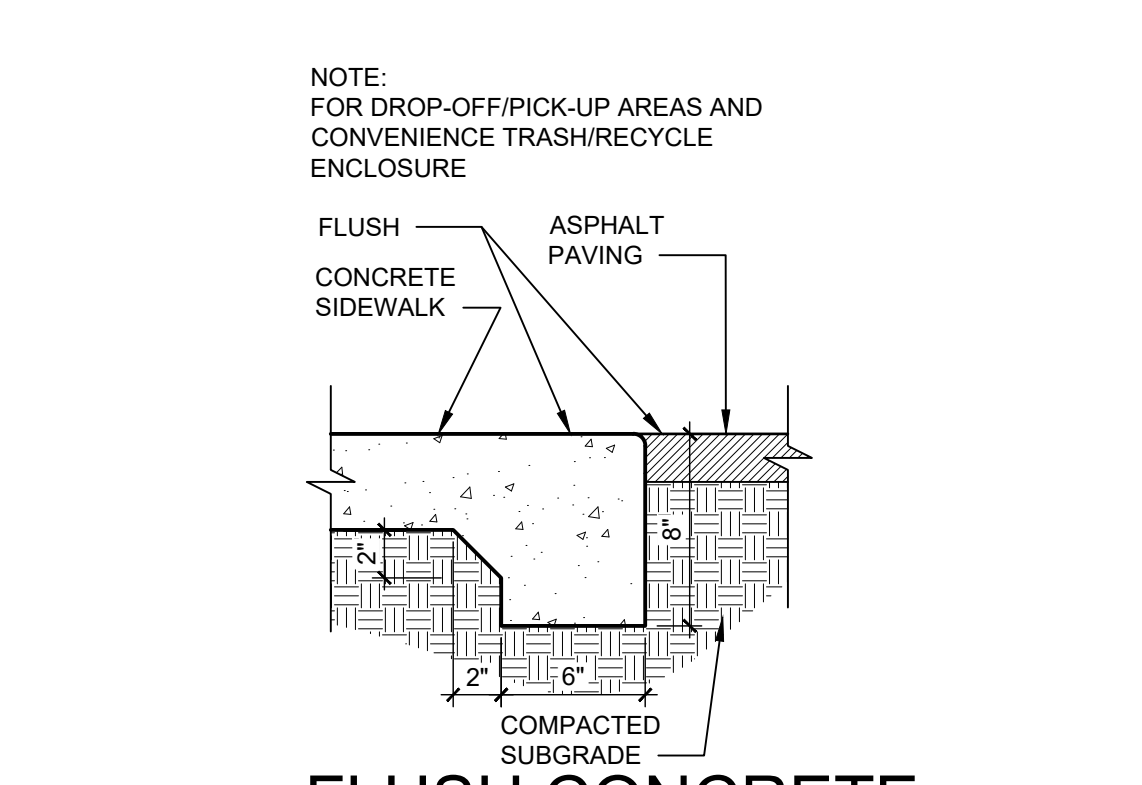
D1 FIRELANE STRIPING AND SIGNAGE
1/2" = 1'-0"



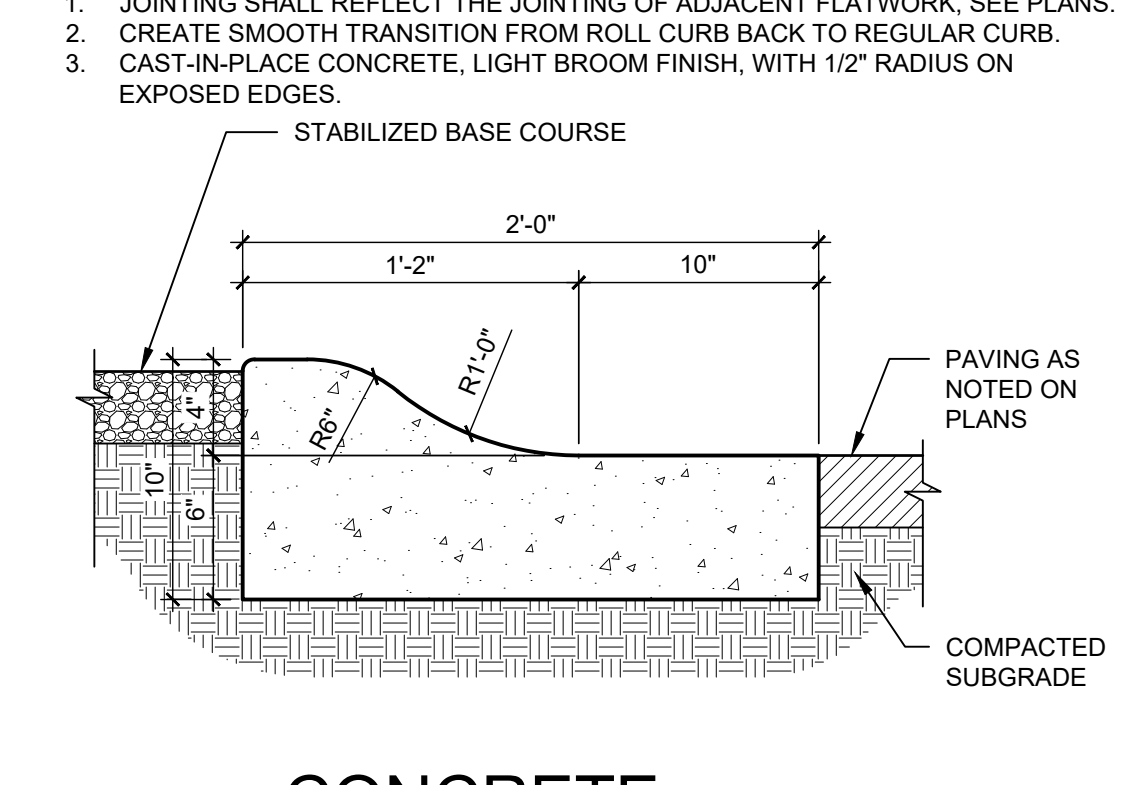
D2 CONCRETE HEADER CURB
1 1/2" = 1'-0"



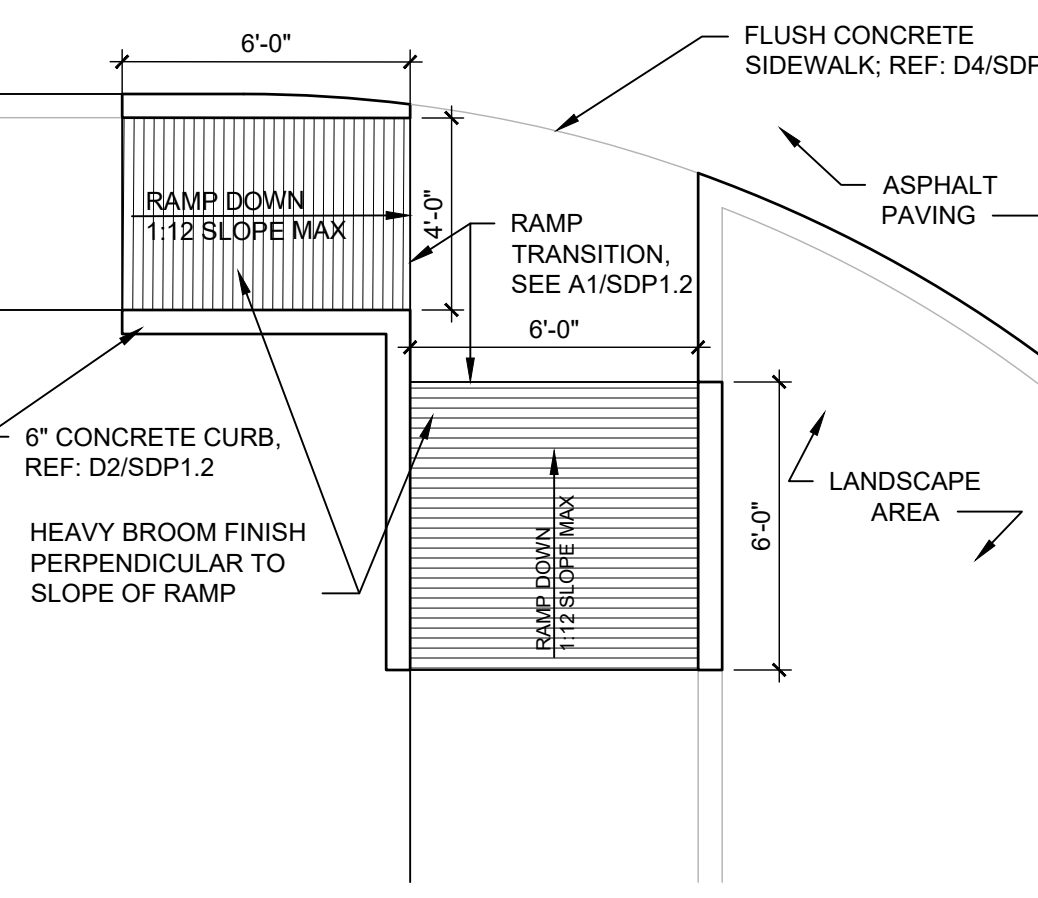
D3 SIDEWALK WITH TURNDOWN EDGE
1 1/2" = 1'-0"



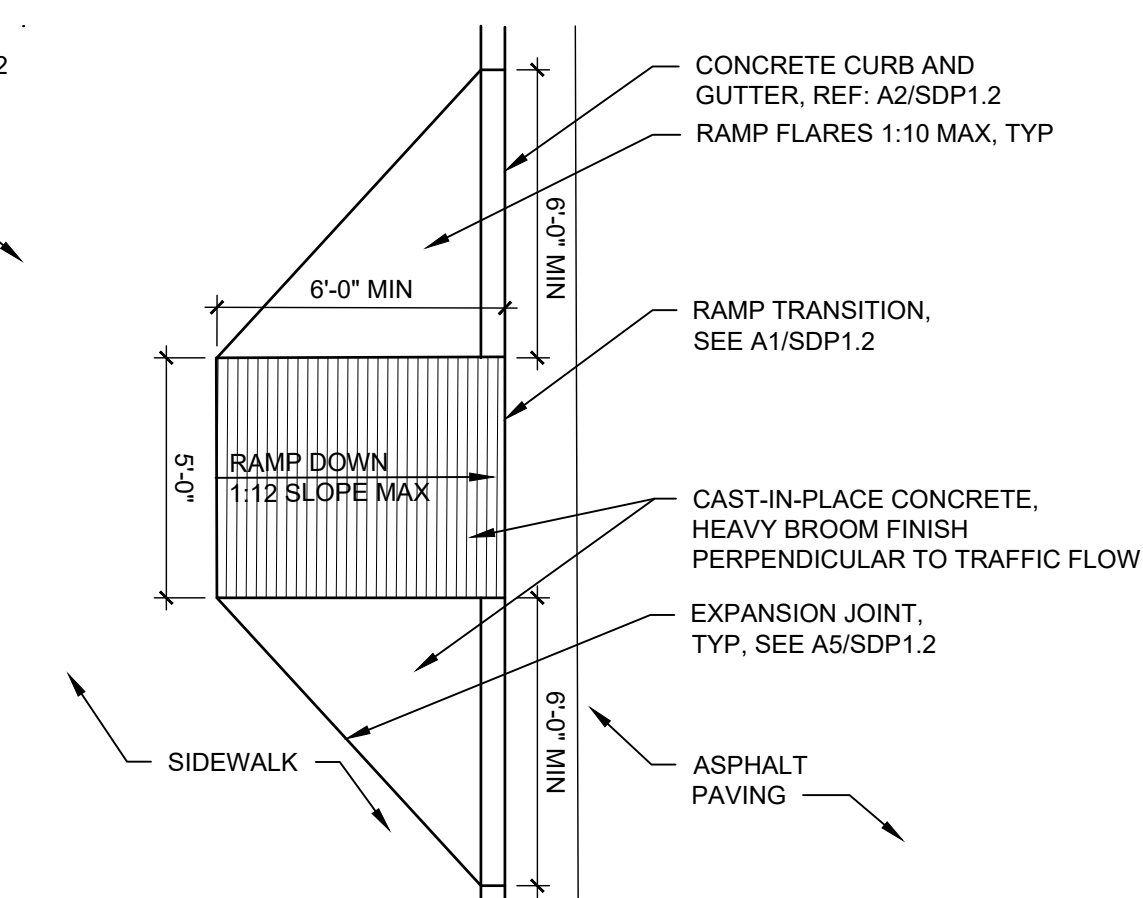
D4 FLUSH CONCRETE SIDEWALK
1 1/2" = 1'-0"



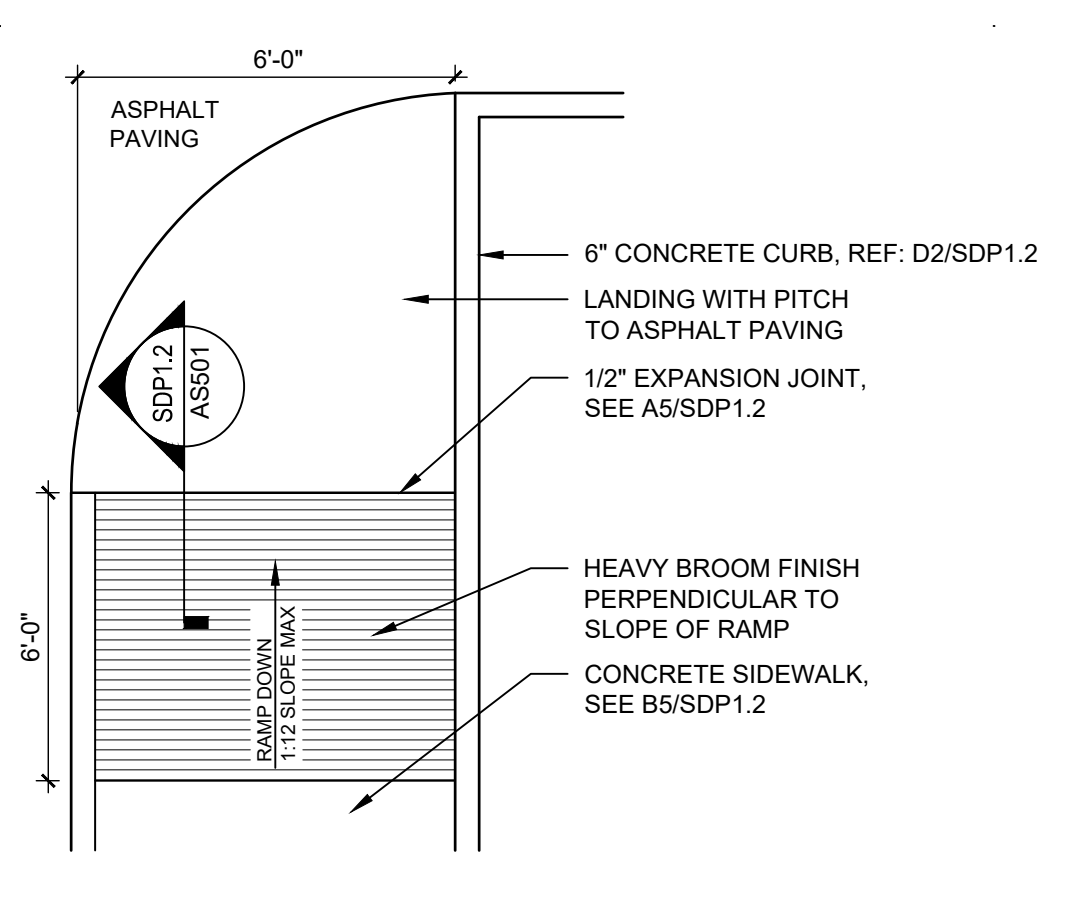
D5 CONCRETE MOUNTABLE CURB
1 1/2" = 1'-0"



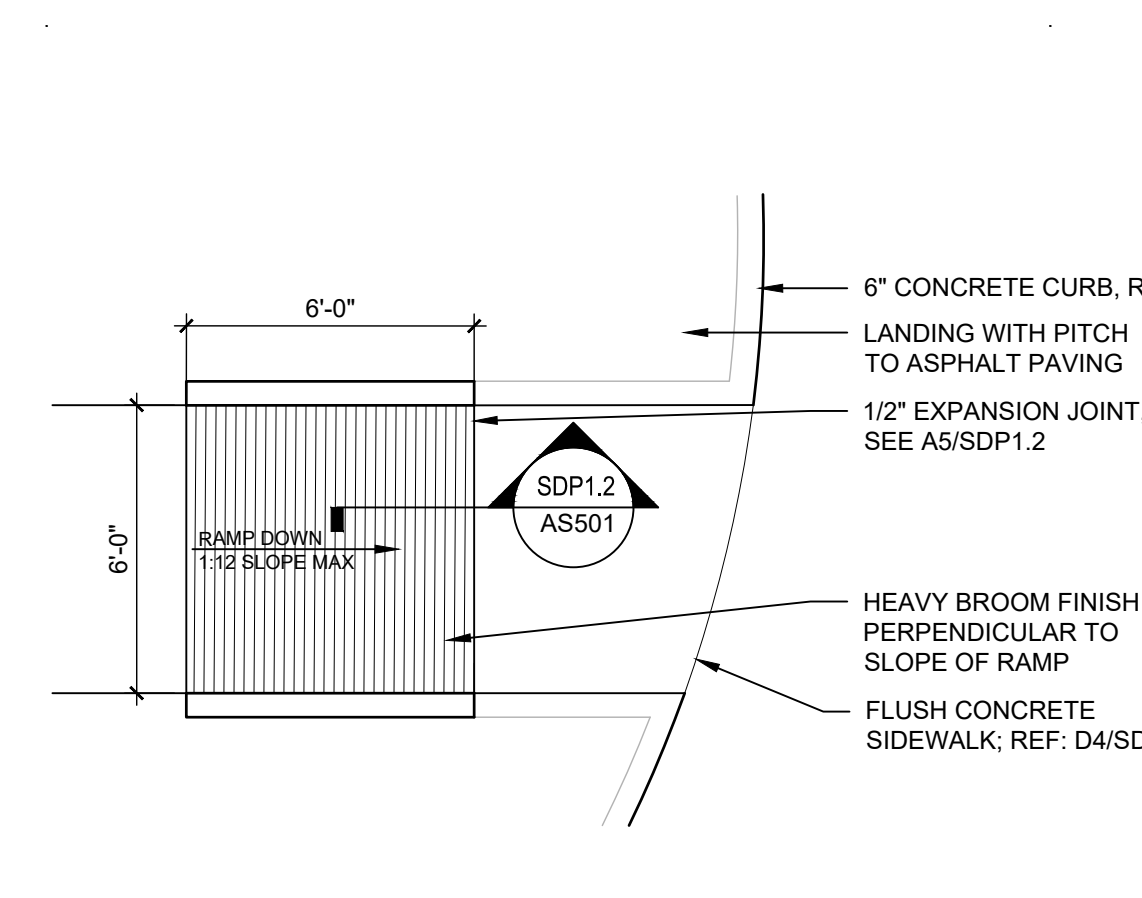
C1 ACCESSIBLE RAMP
1/4" = 1'-0"



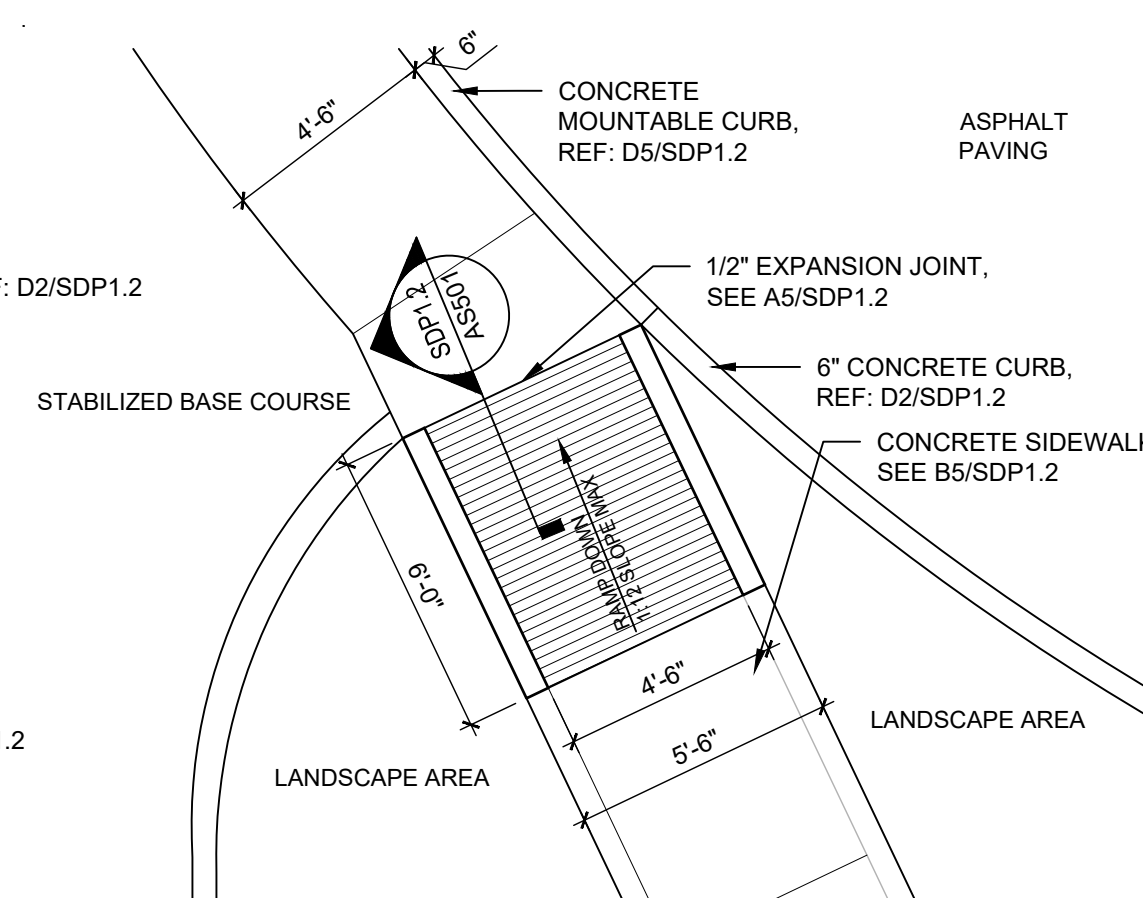
C2 ACCESSIBLE RAMP
1/4" = 1'-0"



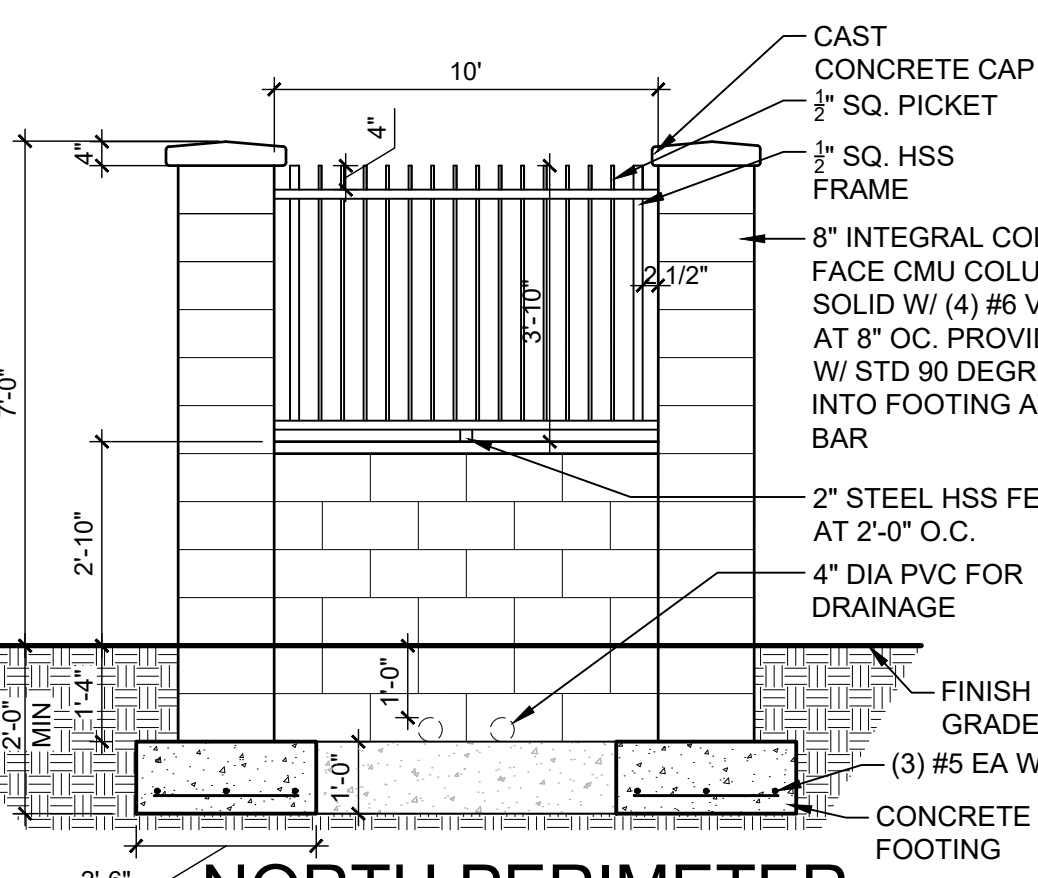
C3 ACCESSIBLE RAMP
1/4" = 1'-0"



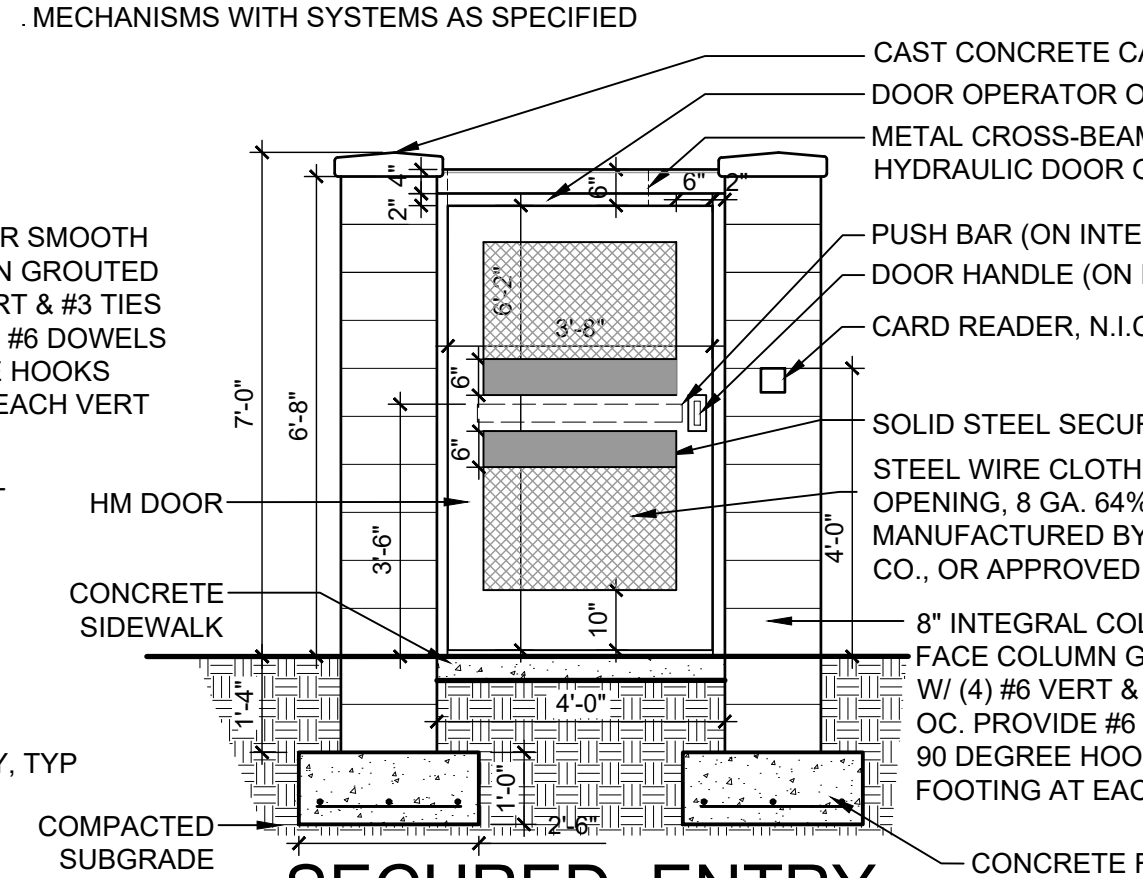
C4 ACCESSIBLE RAMP
1/4" = 1'-0"



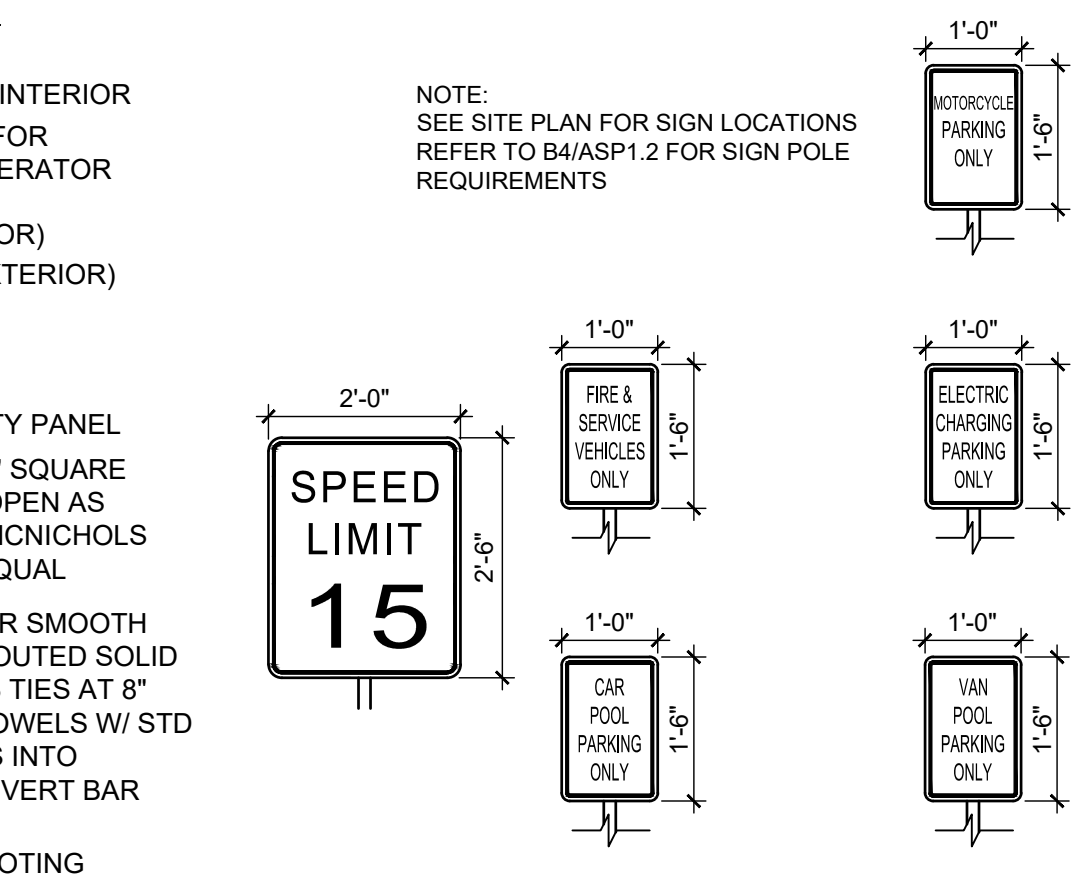
C5 ACCESSIBLE RAMP
1/4" = 1'-0"



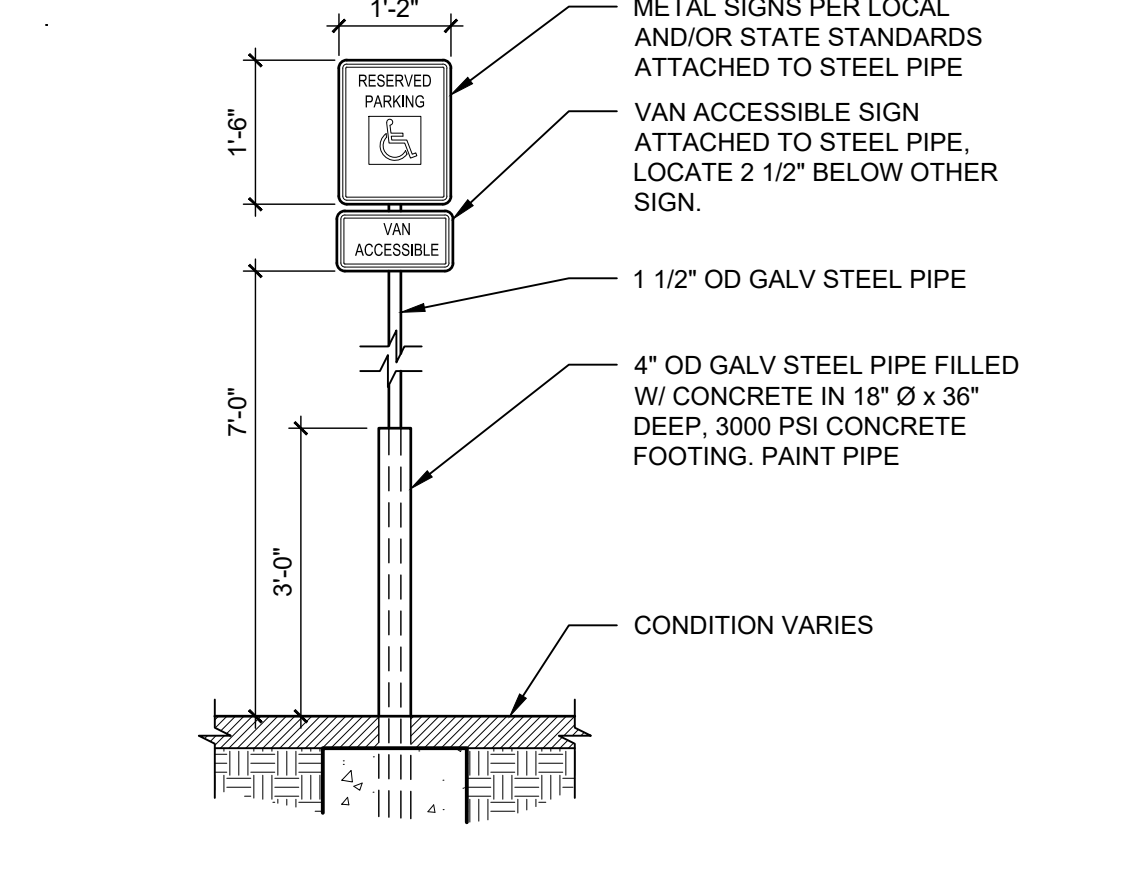
B1 NORTH PERIMETER FENCING
3/8" = 1'-0"



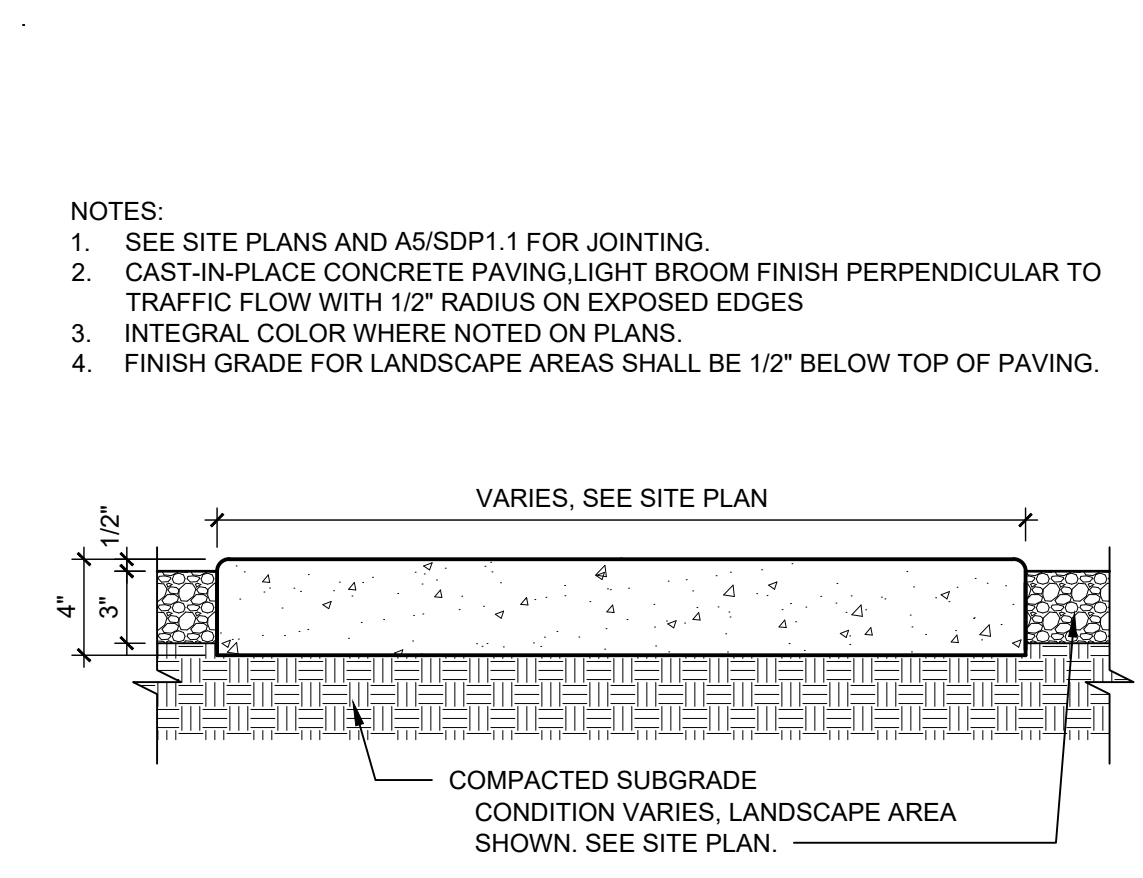
B2 SECURED ENTRY GATE
3/8" = 1'-0"



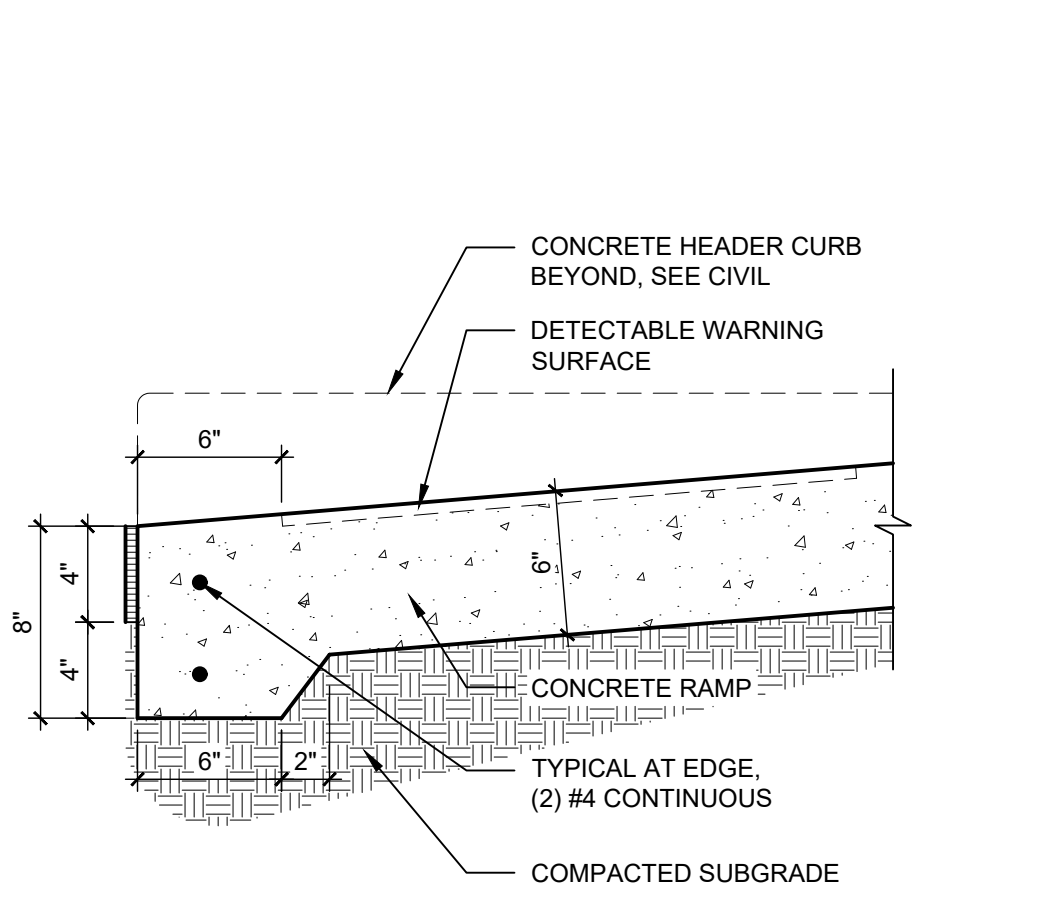
B3 TRAFFIC SIGNAGE
1/2" = 1'-0"



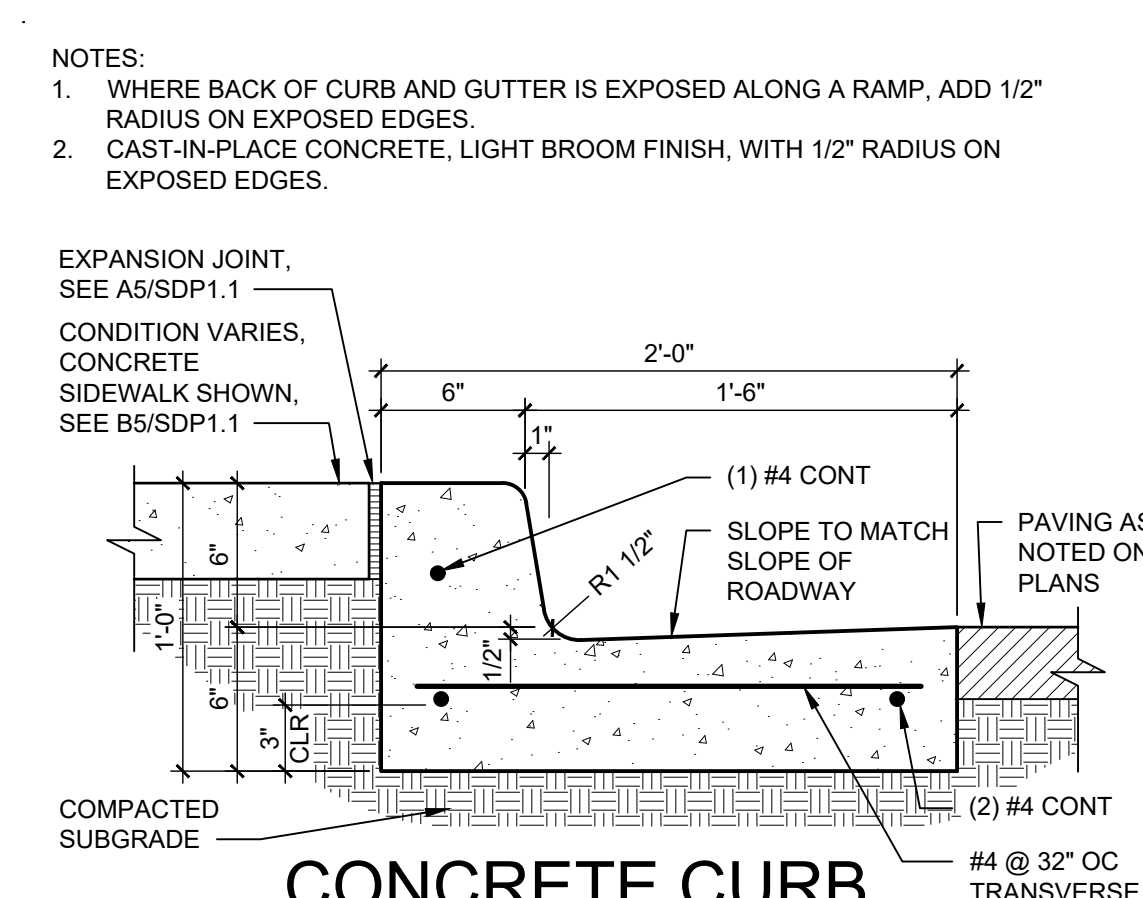
B4 POLE MOUNTED H.C. SIGN
1/2" = 1'-0"



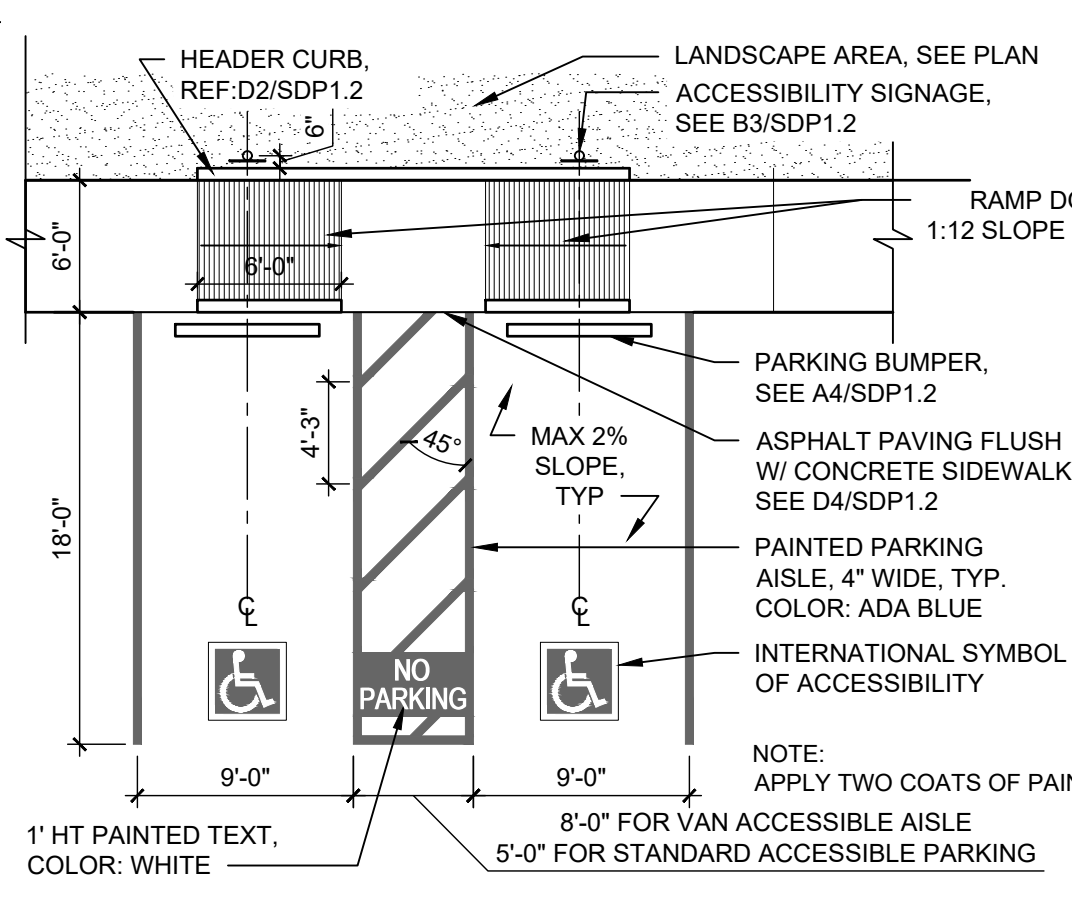
B5 CONCRETE SIDEWALK
1 1/2" = 1'-0"



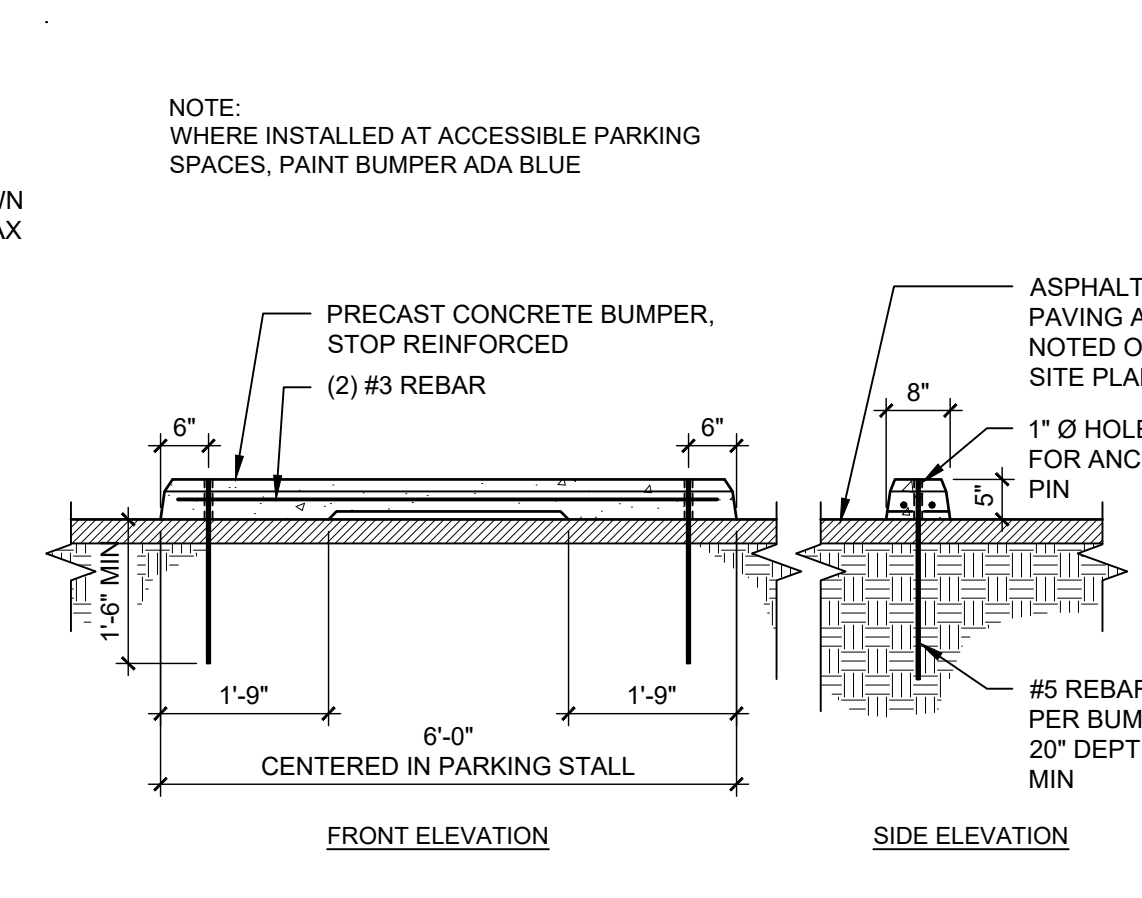
A1 RAMP TRANSITION
1 1/2" = 1'-0"



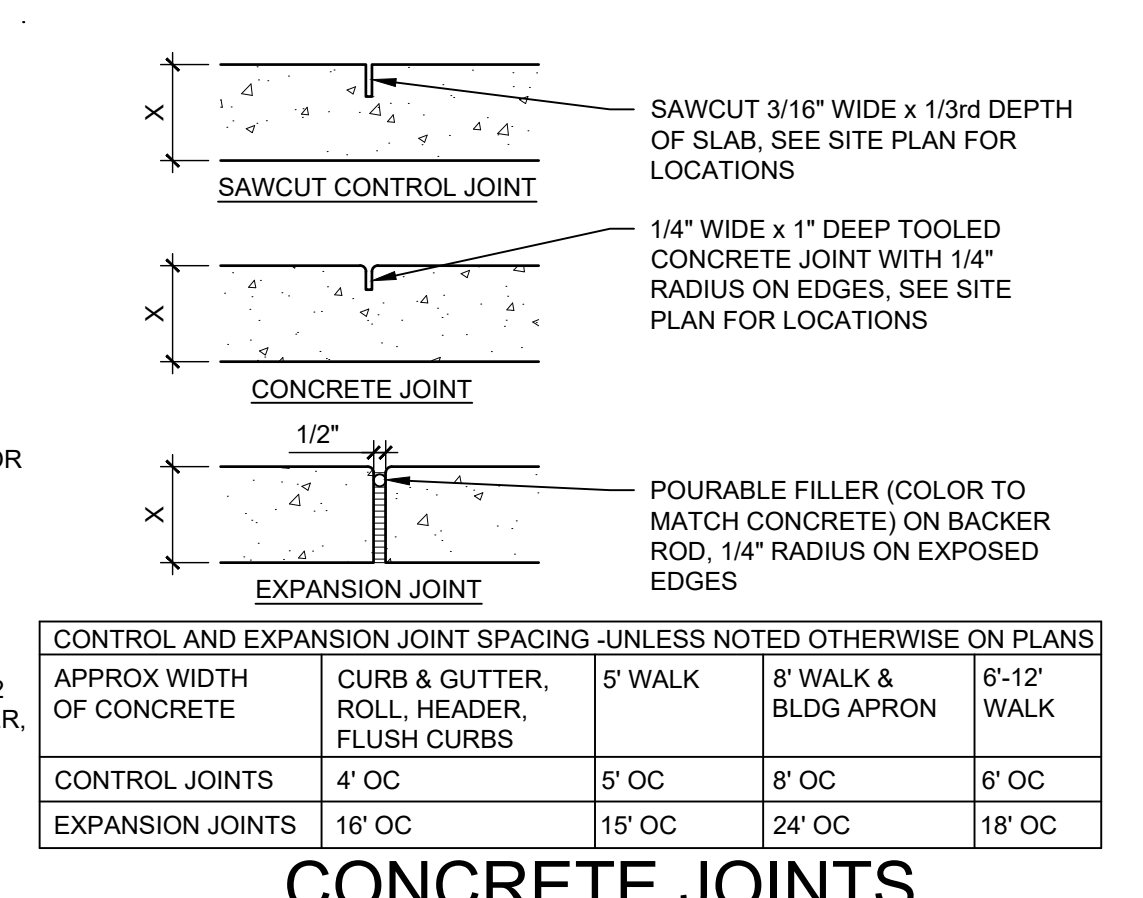
A2 CONCRETE CURB & GUTTER
1 1/2" = 1'-0"



A3 ACCESSIBLE PARKING
1/8" = 1'-0"



A4 PARKING BUMPER
1/2" = 1'-0"



A5 CONCRETE JOINTS & JOINT SPACING
1 1/2" = 1'-0"

CONTROL AND EXPANSION JOINT SPACING - UNLESS NOTED OTHERWISE ON PLANS				
APPROX WIDTH OF CONCRETE	CURB & GUTTER, ROLL, HEADER, FLUSH CURBS	5' WALK	8' WALK & BLDG APRON	6'-12' WALK
CONTROL JOINTS	4' OC	5' OC	8' OC	6' OC
EXPANSION JOINTS	16' OC	15' OC	24' OC	18' OC

REVISIONS

△	
△	
△	
△	

DRAWN BY AG
REVIEWED BY RAW, JM
DATE 05/16/2019
PROJECT NO. 19-0019
DRAWING NAME

SITE DETAILS
SHEET NO. SDP1.2