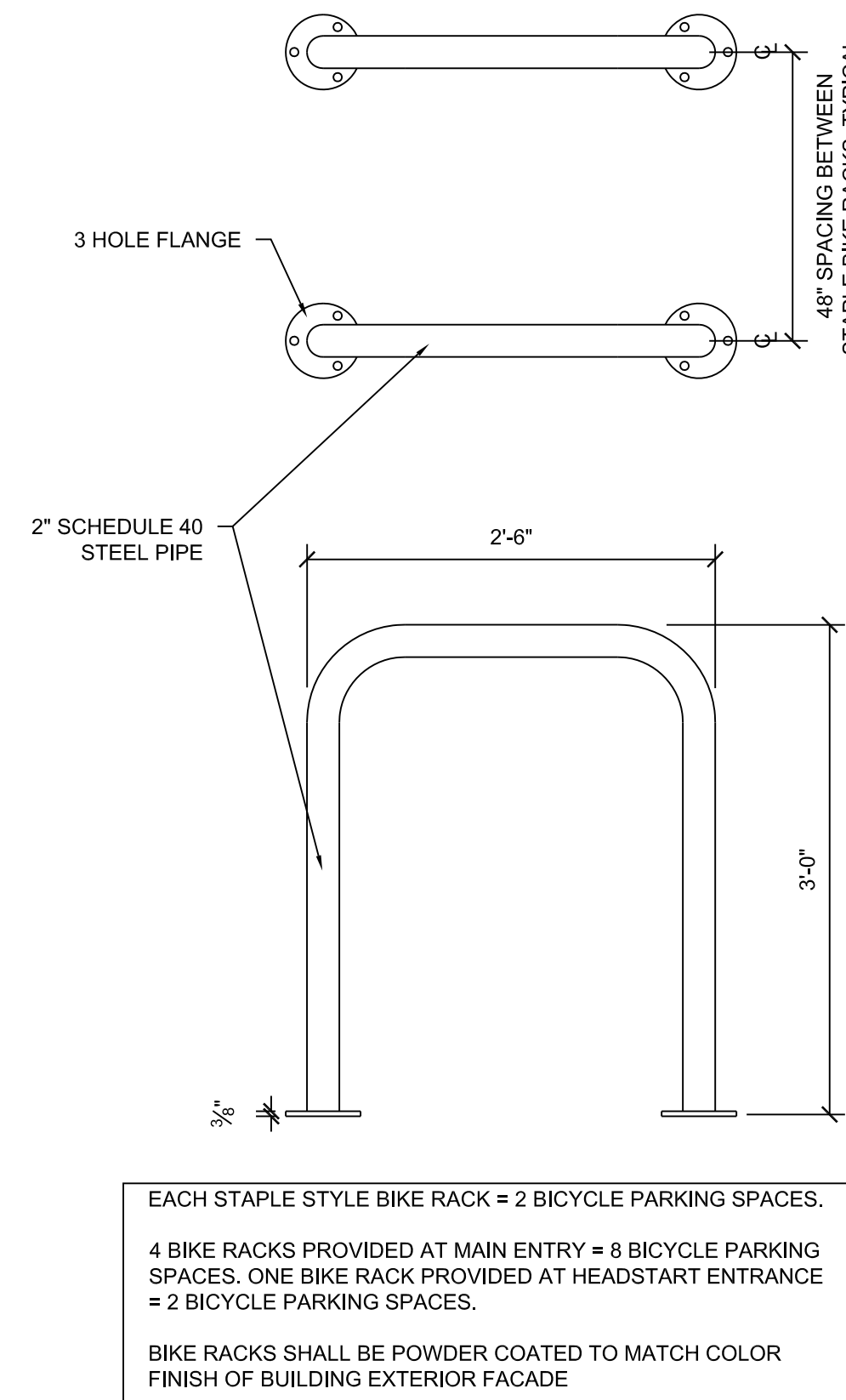
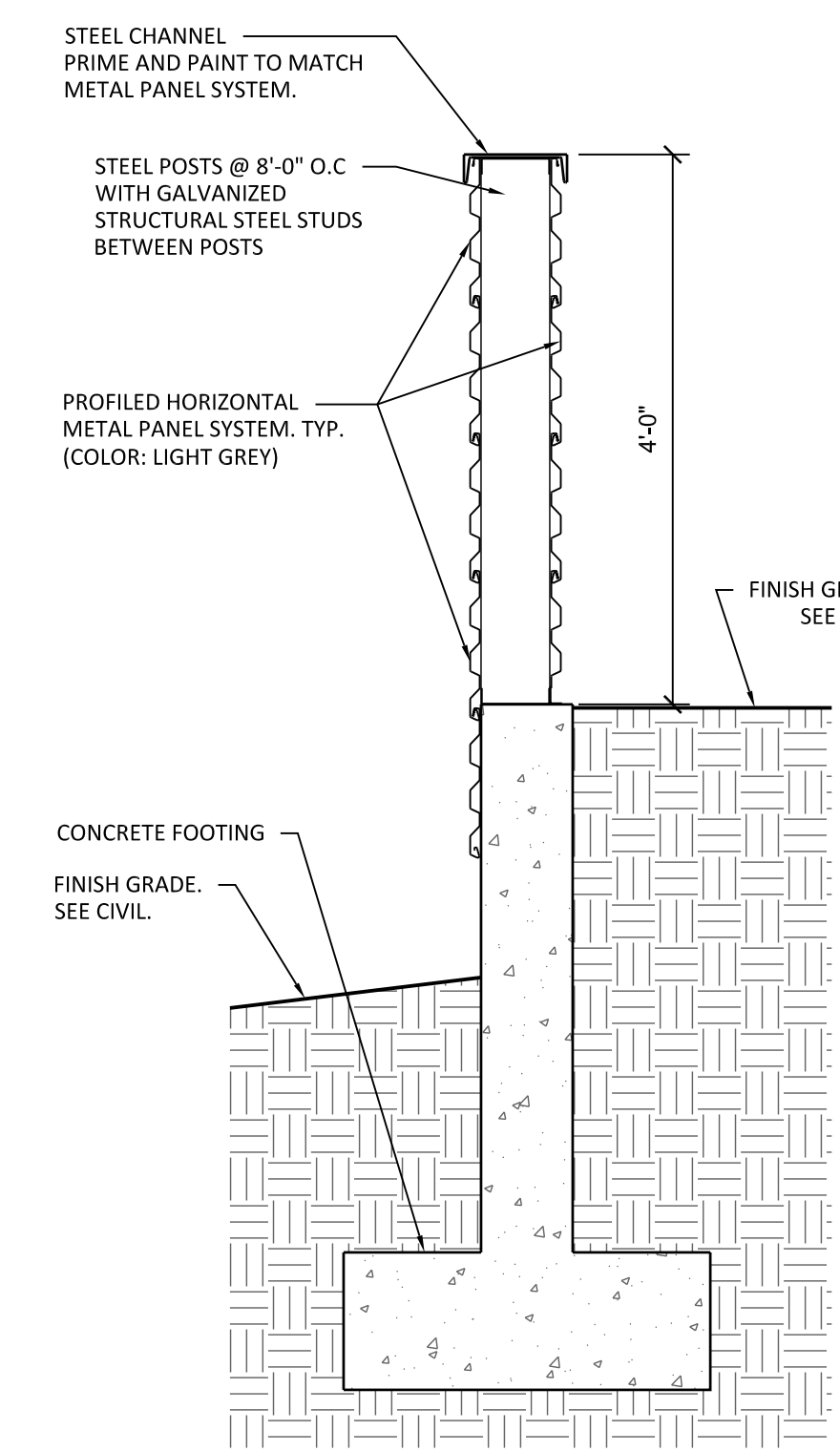


C1 REFUSE ENCLOSURE PLAN
1/4" = 1'-0"



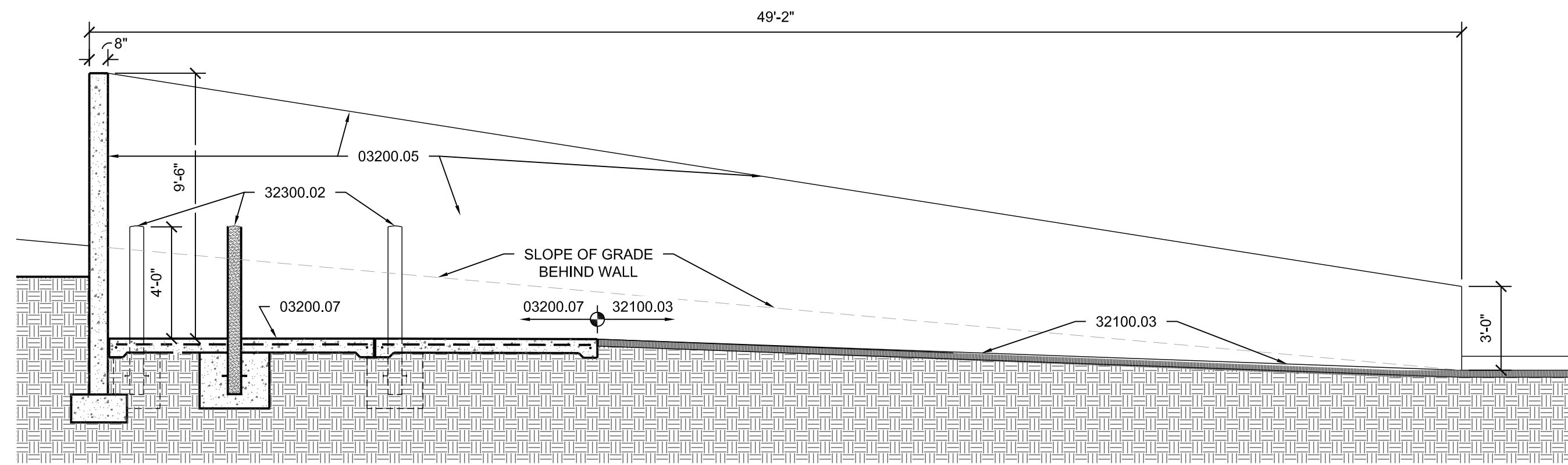
C3 BIKE RACK DETAILS
NTS



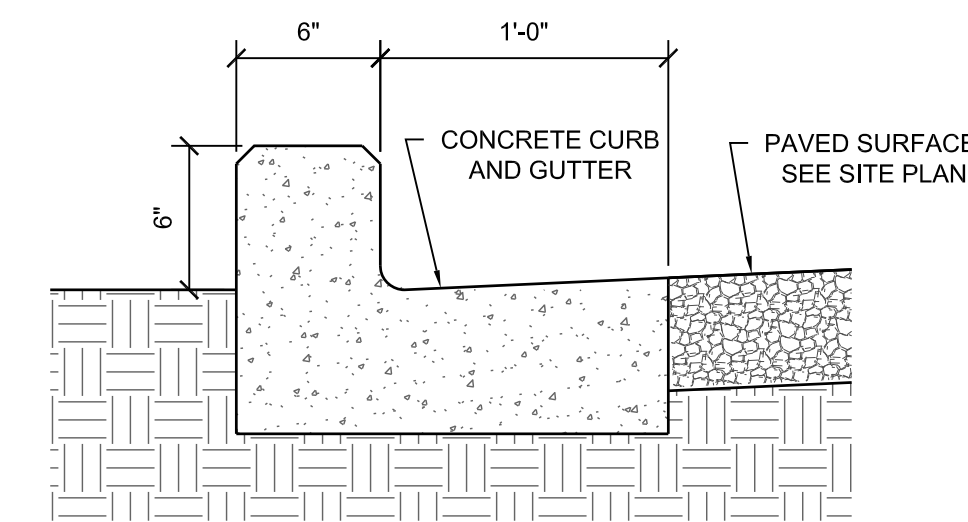
C4 PROFILED HORIZONTAL METAL PANEL FENCE SYSTEM - TYP. DETAIL
3/4" = 1'-0"

KEYED NOTES

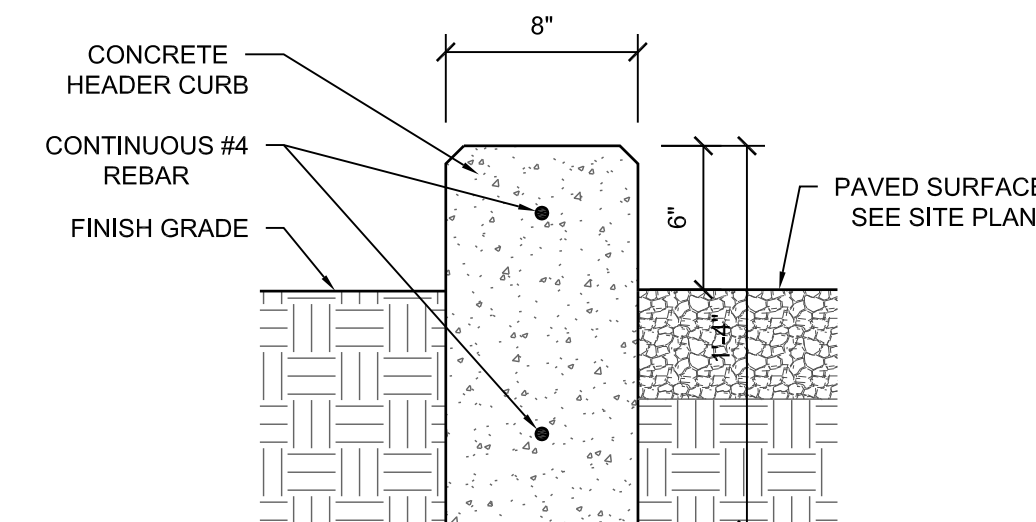
- 03200.05 CAST-IN-PLACE CONCRETE WALL.
- 03200.07 CONCRETE PAVING. AIR-ENTRAINED, 4000 PSI.
- 03200.08 CONCRETE PAVING PER CITY OF ALBUQUERQUE STANDARD DETAIL 2426 FOR PRIVATE ENTRANCE.
- 03200.10 CONCRETE HEADER CURB PER COA STANDARD DWG. 2415 B. SEE SITE DETAILS.
- 03200.11 EXISTING CONCRETE CURB AND GUTTER.
- 03200.12 CONCRETE CURB AND GUTTER PER CITY OF ALBUQUERQUE SPECIFICATIONS. REFER TO CITY STANDARD DETAIL 2415.
- 03200.13 FLUSH CONCRETE HEADER CURB. SEE SITE DETAILS.
- 03200.14 MEDIAN CURB AND GUTTER WITH OPENINGS FOR DRAINAGE INTO LANDSCAPE AREA.
- 03200.15 MEDIAN CURB AND GUTTER PER COA STANDARD DWG. 2415 B. SEE SITE DETAILS.
- 03200.20 ACCESSIBLE SIDEWALK RAMP WITH TRUNCATED DOMES. PER COA STANDARD DWGS. 2440 AND 2426.
- 12900.01 BIKE RACK. SEE DETAIL.
- 12900.02 BENCH.
- 21100.01 EXISTING RELOCATED FIRE HYDRANT.
- 21100.02 FIRE HYDRANT.
- 26200.01 ELECTRIC VEHICLE RECHARGING STATION.
- 26800.01 STEP LIGHT SET INTO CONCRETE, TYP. SEE LEGEND.
- 26800.02 LIGHT POLE, TYP. SEE LEGEND.
- 26800.03 EXISTING LIGHT POLE.
- 32100.02 8" THICK AGGREGATE BASE COURSE COMPACTED TO 95% MIN. OVER EXISTING GRADE COMPACTED TO 95% MIN. ENGINEERED TO SUPPORT FIRE APPARATUS EQUIPMENT / VEHICLES.
- 32100.05 EXISTING ASPHALT PAVING.
- 32100.07 CONCRETE PAVING FLUSH WITH SURFACE OF ASPHALT PAVING THIS LOCATION.
- 32300.02 8" Ø STEEL PIPE BOLLARD FILLED WITH CONCRETE.



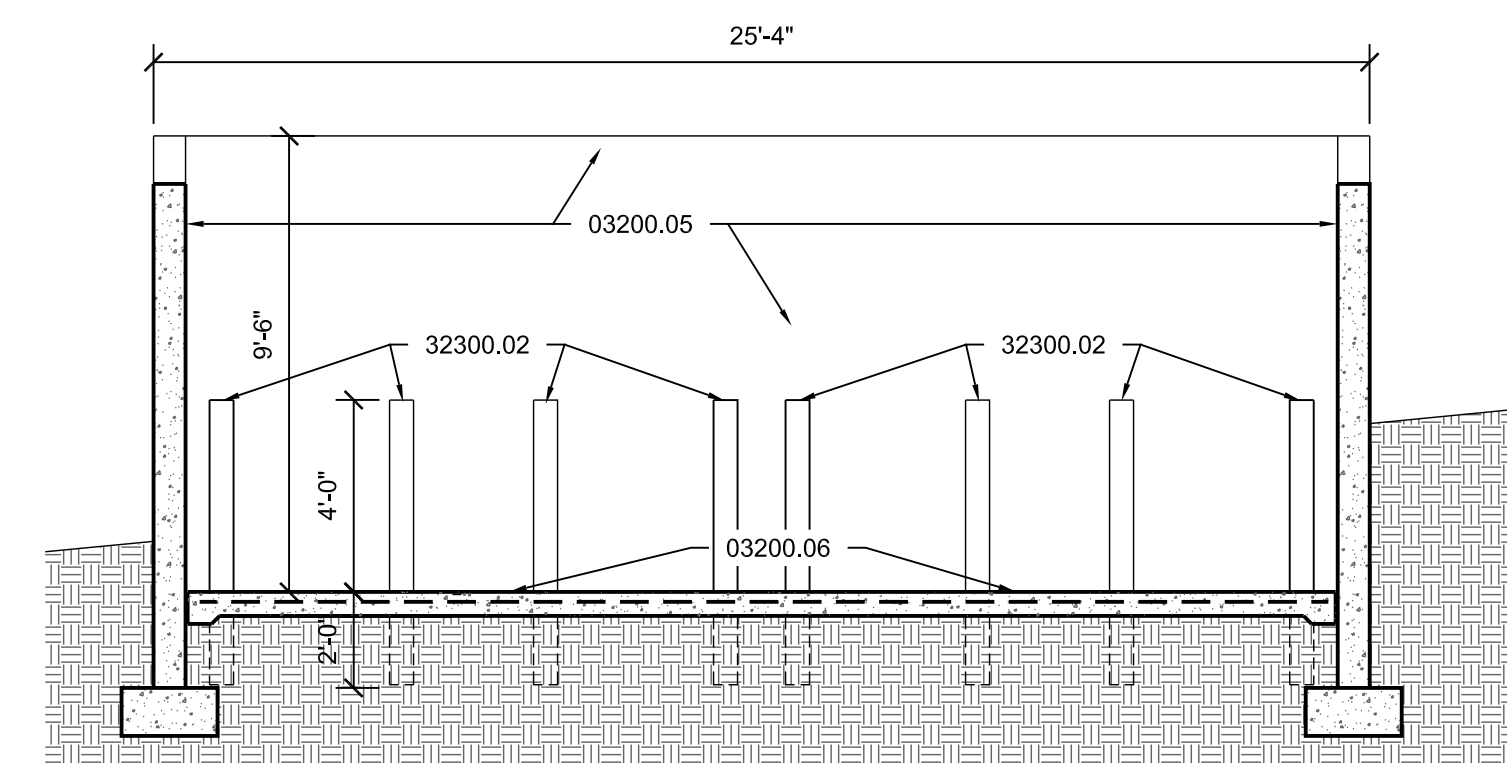
B1 REFUSE ENCLOSURE SECTION / ELEVATION
1/4" = 1'-0"



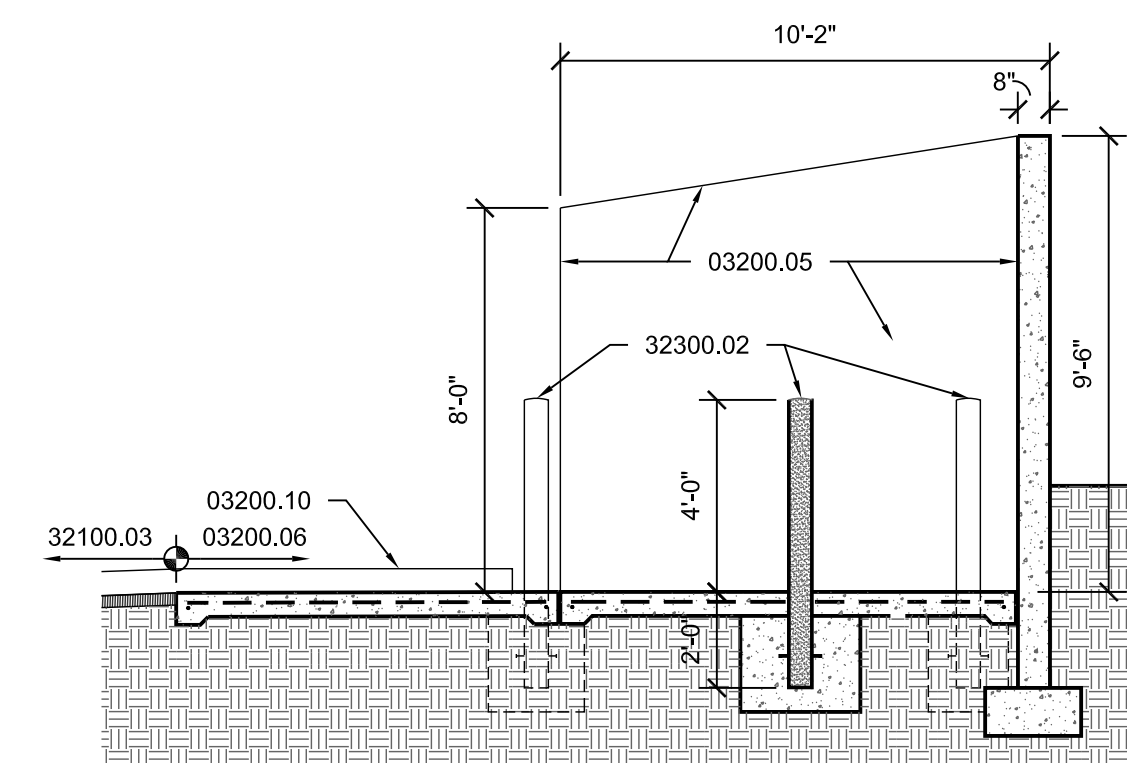
B3 TYP. MEDIAN CURB AND GUTTER DETAIL
1 1/2" = 1'-0" COA STANDARD DWG. # 2415 B



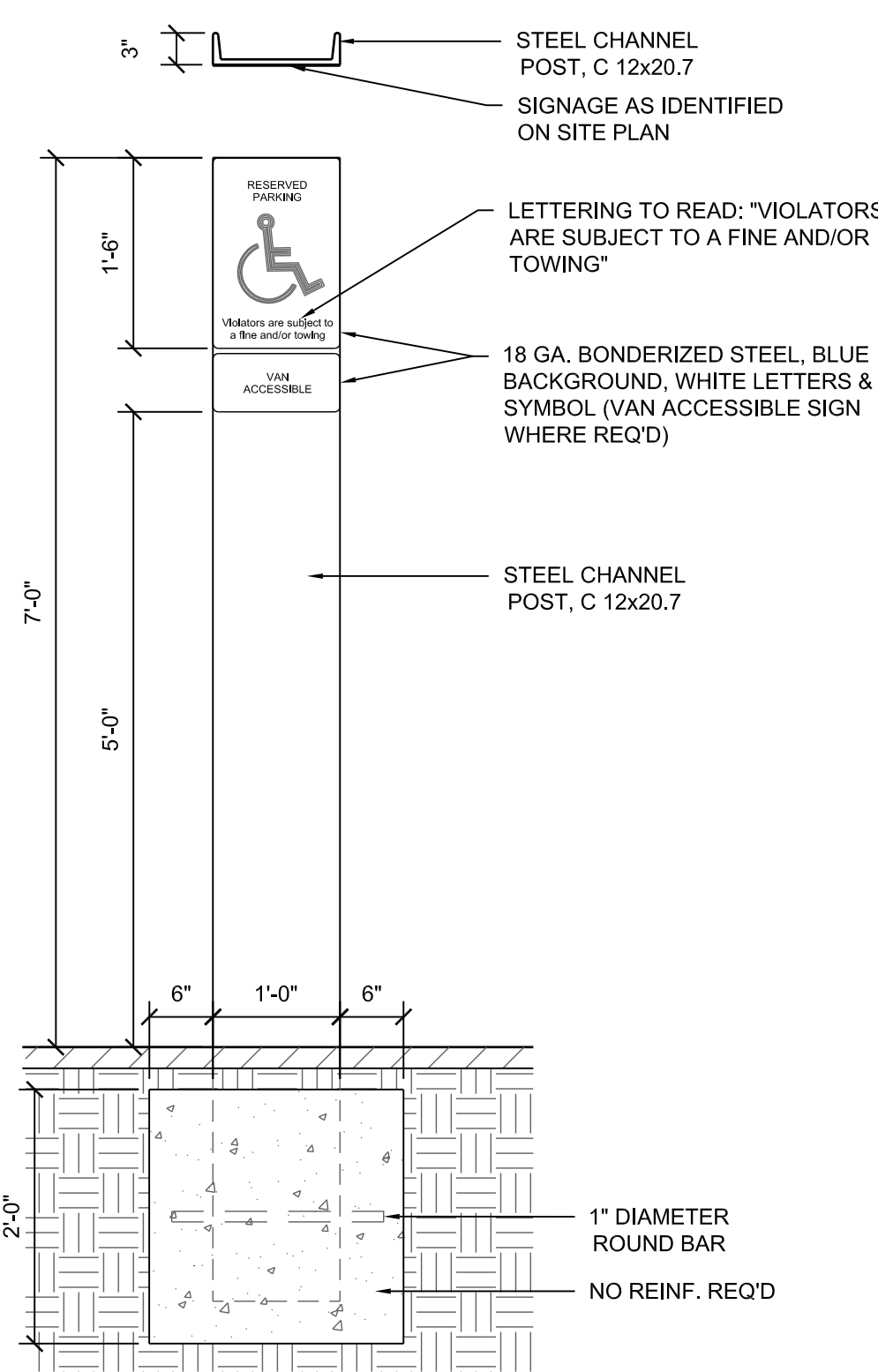
B4 TYP. HEADER CURB DETAIL
1 1/2" = 1'-0" COA STANDARD DWG. # 2415 B



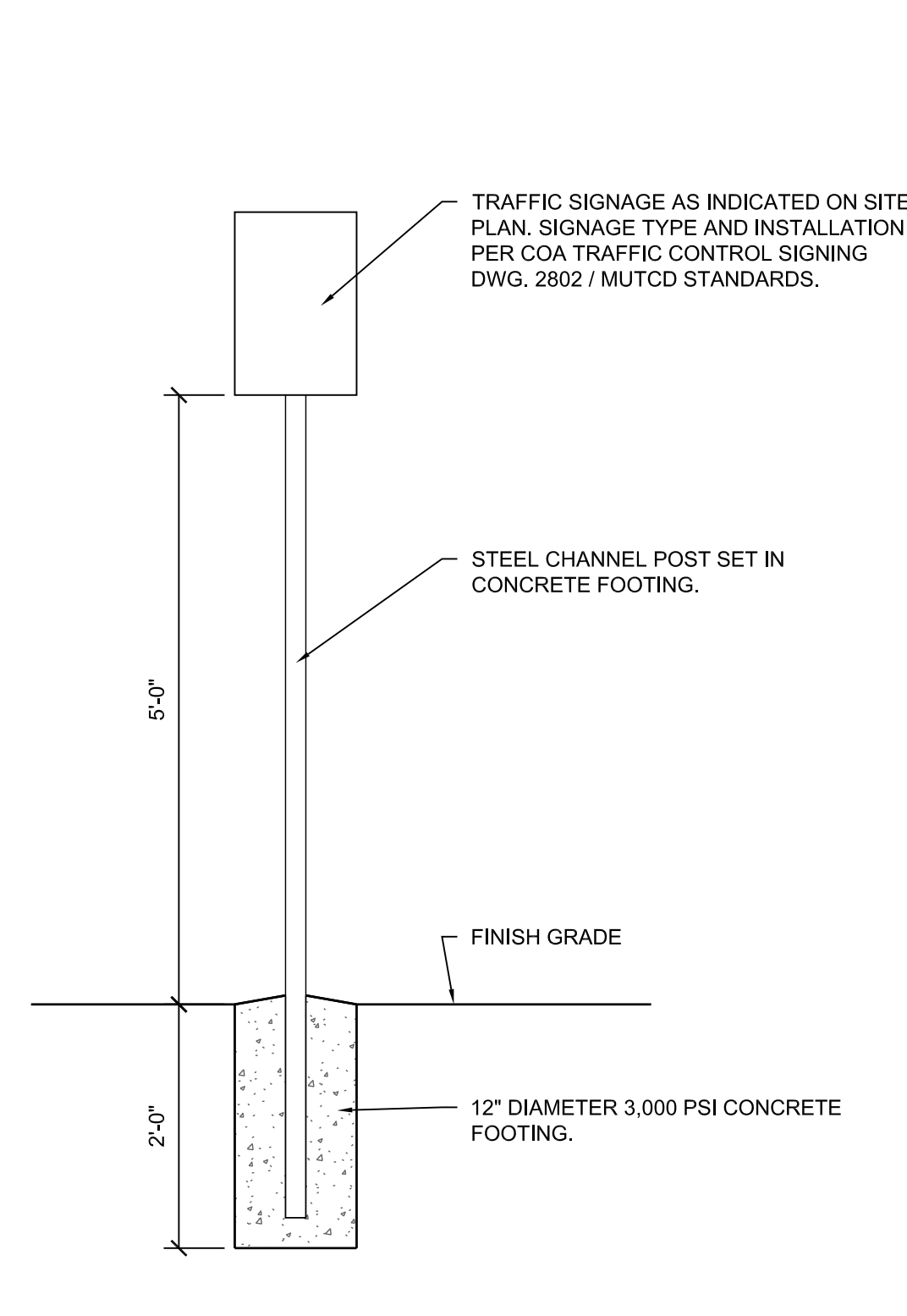
A1 REFUSE ENCLOSURE SECTION / ELEVATION
1/4" = 1'-0"



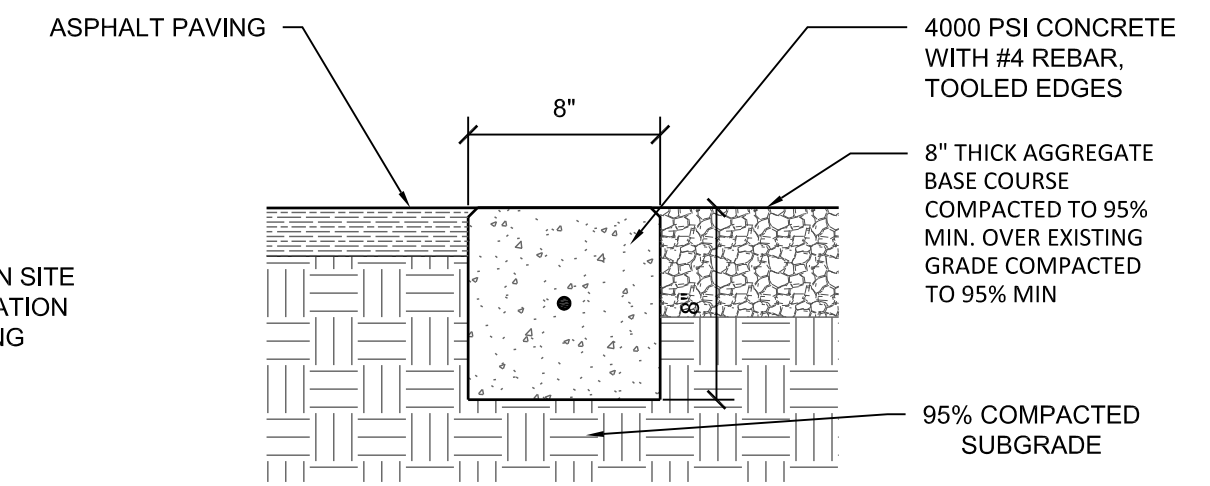
A2 REFUSE ENCLOSURE SECTION / ELEVATION
1/4" = 1'-0"



A3 TYP. PARKING SIGN ELEV. / PLAN DETAIL
3/4" = 1'-0"



A4 TYP. TRAFFIC SIGN DETAIL.
3/4" = 1'-0"



B5 FLUSH CURB DETAIL
1 1/2" = 1'-0"

LEE GAMESKY ARCHITECTS P.C.

2412 MILES ROAD SE
ALBUQUERQUE, NM 87106
505.842.8865 FAX 842.1693
lee@gamm.com

WESTGATE COMMUNITY CENTER
10001 De Vargas Road SW, Albuquerque, New Mexico 87121

PROJECT ARCHITECT: LEE GAMESKY, AIA Project #: Date: 30 NOVEMBER 2018

SITE DEVELOPMENT PLAN FOR BUILDING PERMIT
DRB PROJECT NO.:

**ENLARGED SITE PLAN AND
SITE DETAILS**

By: JPW Sheet: Of:
SITE DEVELOPMENT PLAN **AS-103**