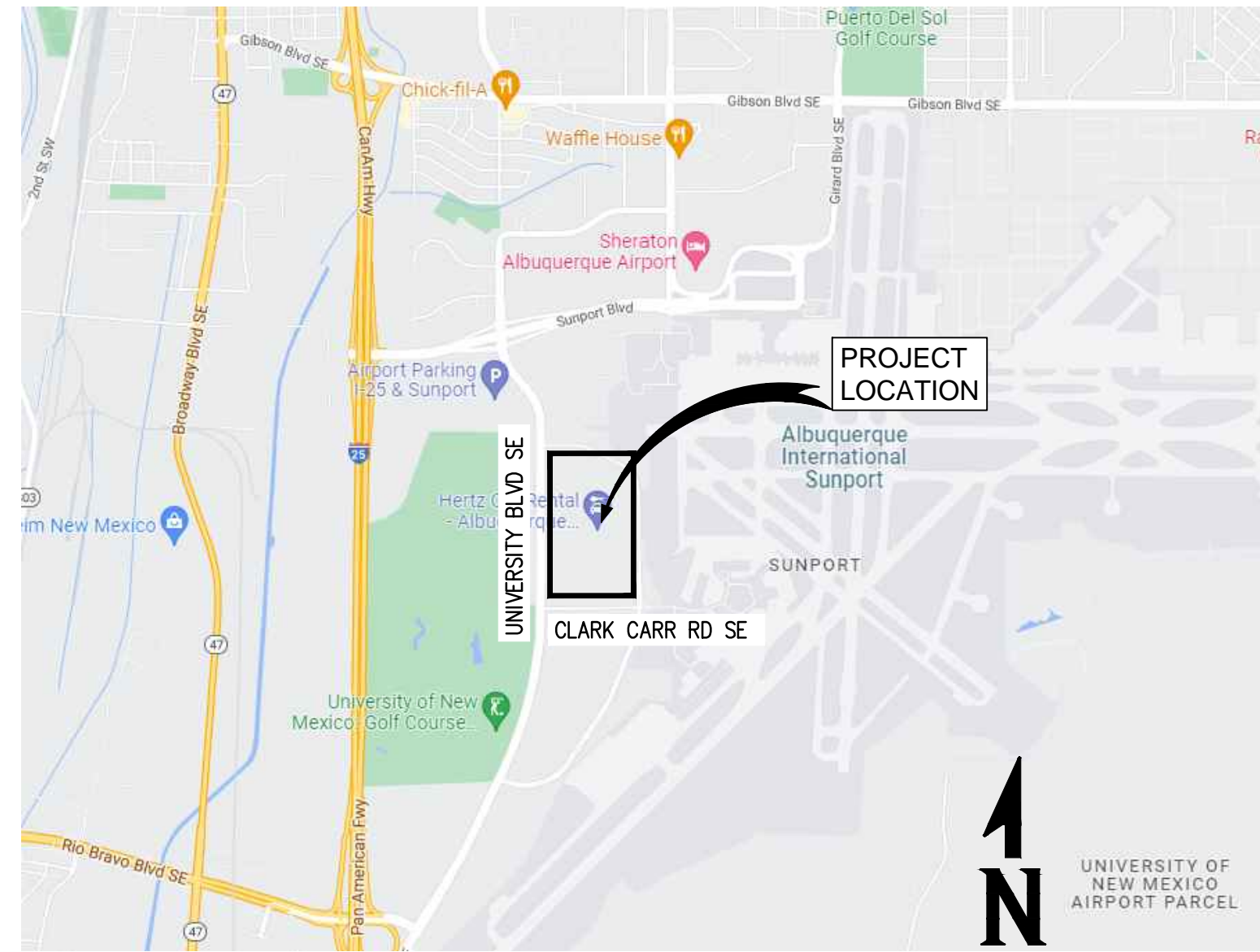
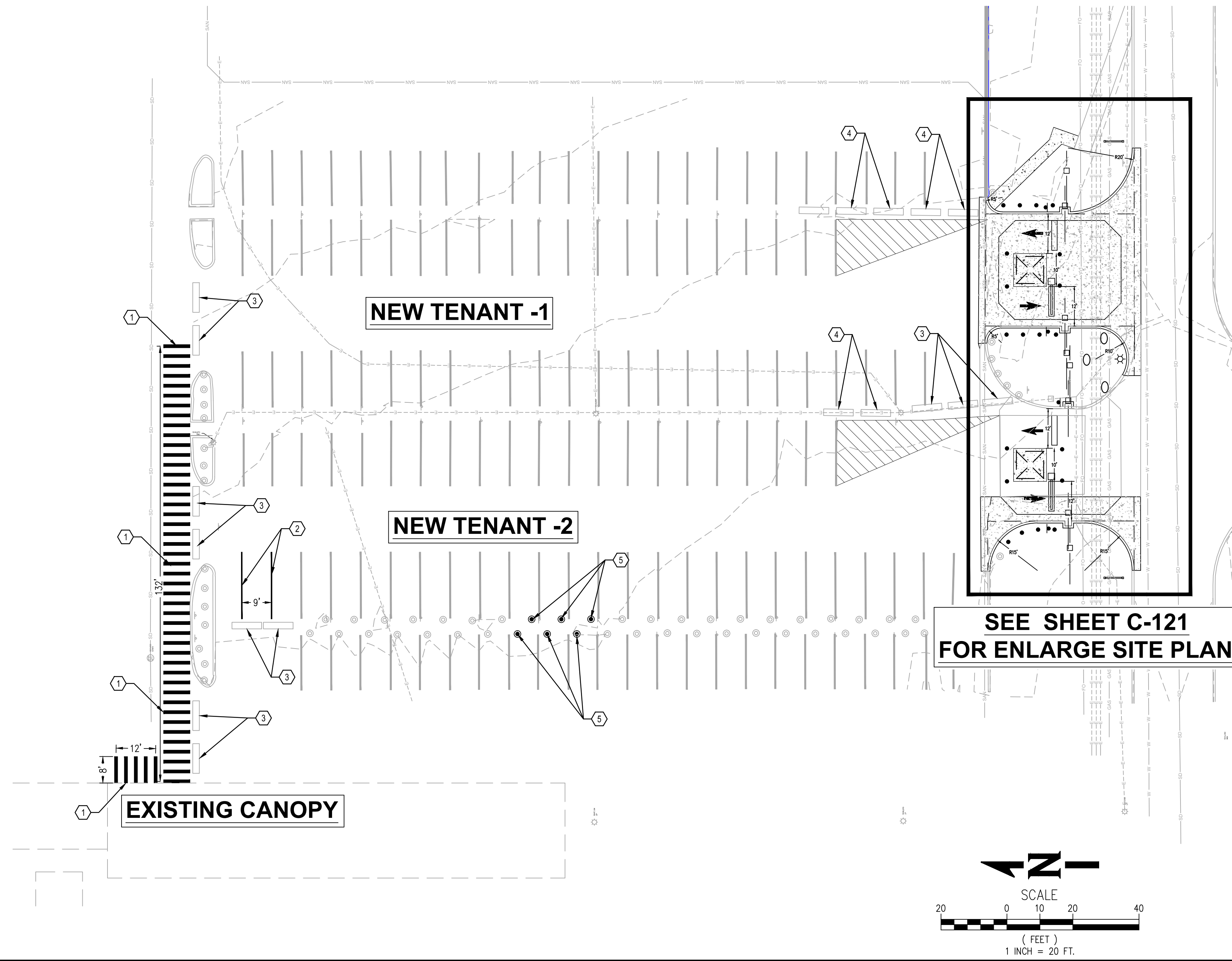
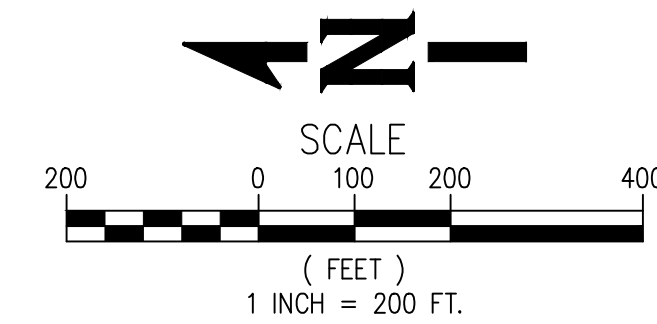
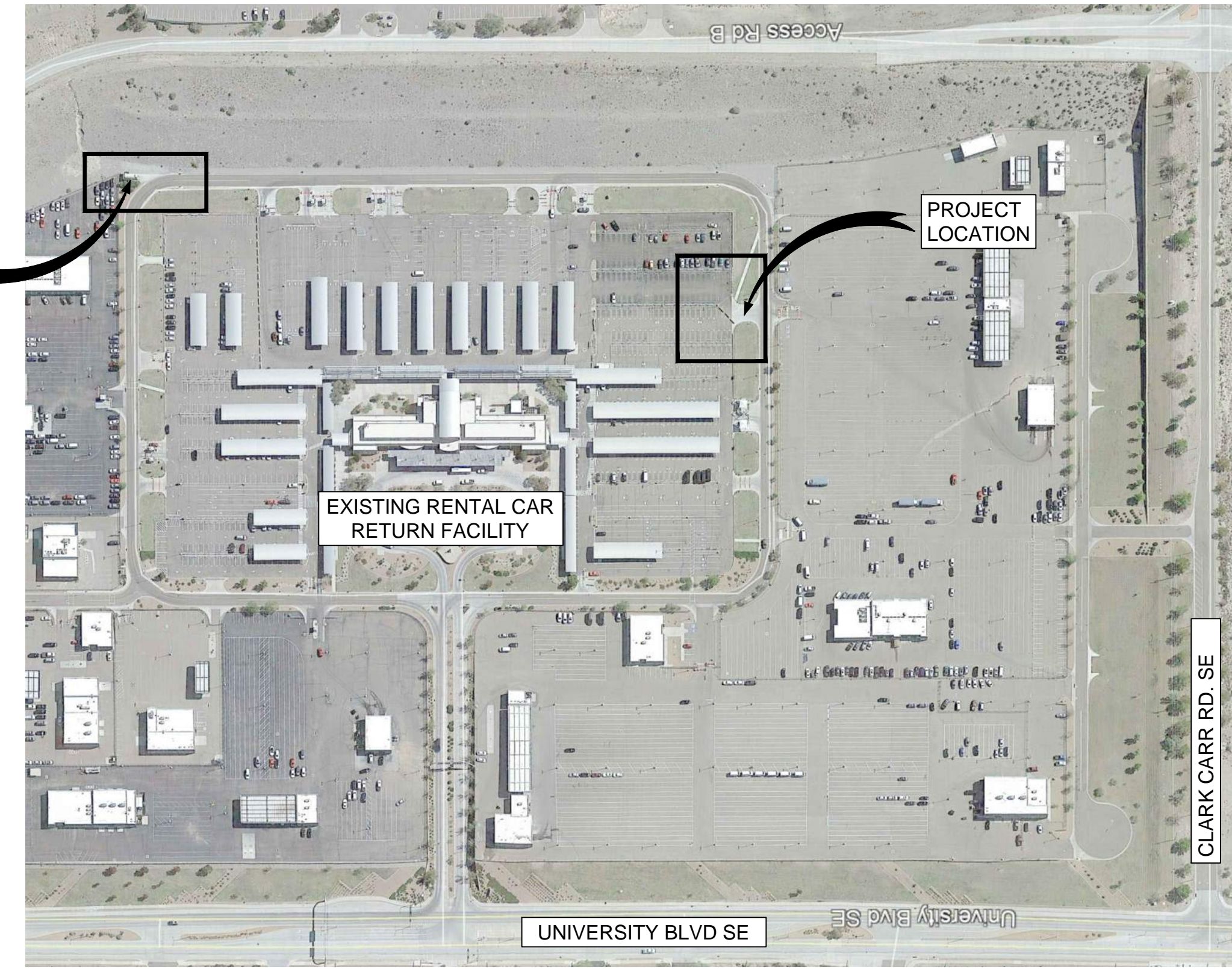


[DATE: 5/17/2022 9:39 AM] [AUTHOR: jockylin] [PLOTTER: HP55] [STYLE: -----] [PA: P:\Albuquerque International Sunport\220020-A000171.000\Execution\Drawings\Civil\Ready & Return Lot Design\2127017.06-C-121 SITE PLAN.dwg] [LAYOUT: C-120 OVERALL SITE PLAN - READY & RETURN LOT]



LOCATION MAP
Scale: N.T.S



**SEE SHEET C-121
FOR ENLARGE SITE PLAN**

GENERAL NOTES:

1. ALL SITE CONSTRUCTION SHOULD CONFORM TO CITY OF ALBUQUERQUE PUBLIC WORKS STANDARD SPECIFICATION AND DETAILS UNLESS OTHERWISE NOTED.
2. DIMENSION SHOWN ON THIS PLAN REFERENCE TO FACE OF CURB, EDGE OF BUILDING, EDGE OF SIDEWALKS UNLESS OTHERWISE NOTED.
3. ALL EXISTING UTILITIES SHOWN ON THIS PLAN ARE APPROXIMATE, CONTRACTOR TO FIELD VERIFY EXISTING LOCATION PRIOR TO EXCAVATION.
4. CONTRACTOR TO CALL IN FOR UTILITY LINE LOCATES PRIOR TO ANY EXCAVATION.

KEYNOTES:

1. INSTALL 8' LONG X 12" WIDE WHITE STRIPING CROSS WALK SPACED 24" MAXIMUM FROM EXISTING SIDEWALK & ADA ACCESS RAMP UNDER CANOPY AREA FOR PEDESTRIAN ACCESS.
2. INSTALL 20' LONG X 4" WIDE WHITE STRIPING FOR PARKING SPACES.
3. RELOCATE EXISTING CONCRETE BARRIERS AS NECESSARY FOR NEW ENTRANCE CONSTRUCTION AND SPACE IT MINIMUM 4'-0" APART FOR PEDESTRIAN ACCESS.
4. EXISTING CONCRETE BARRIERS TO REMAIN.
5. INSTALL 3' STATIONARY STEEL BOLLARD PER COA STANDARD DETAIL DWG 2250. SPACED AT 9' MAXIMUM.

AS BUILT INFORMATION	
Contractor	Date
Work Staked By	Date
Asperations By	Date
Field Annotations By	Date
Unapproved By	Date
Connected By	Date
Recorded By	Date
No.	

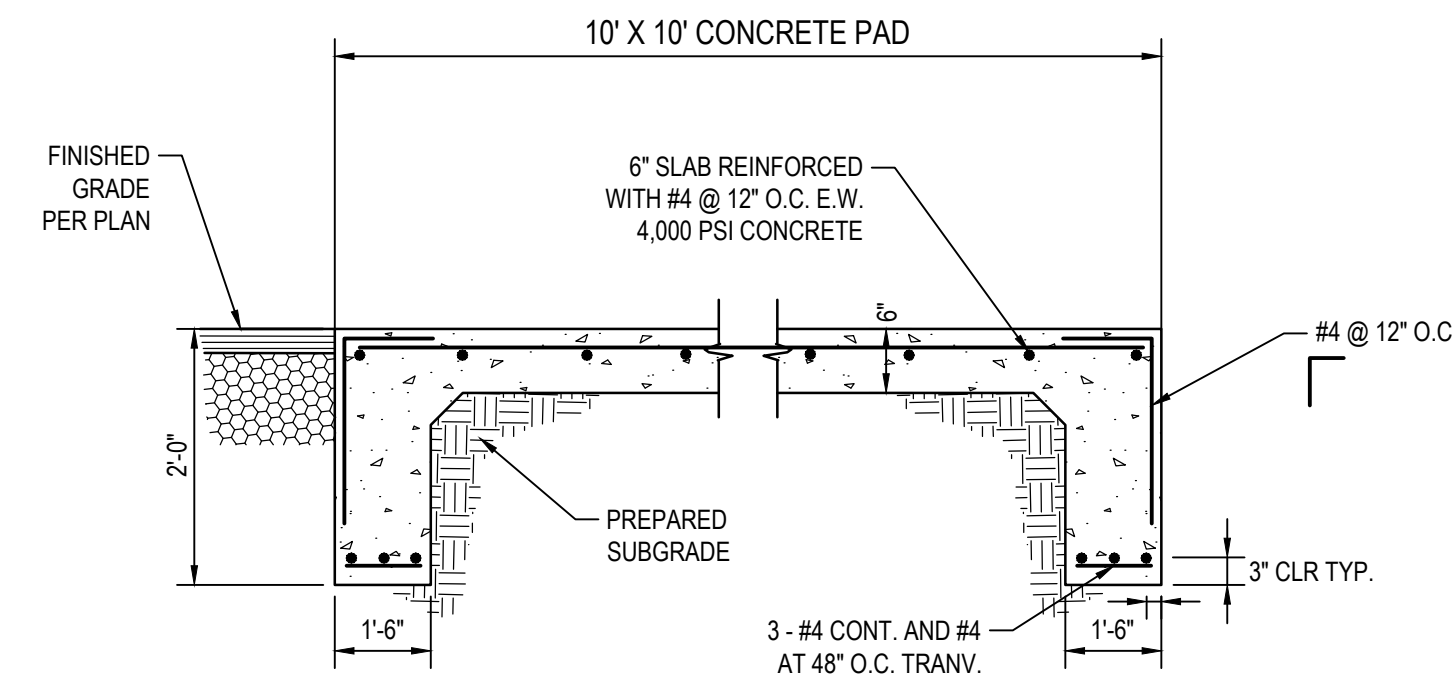
SURVEY INFORMATION	
Field Notes	Date
No.	By



STAMP & SIGNATURE	
Remarks	By
REVISIONS	
DESIGN	
No.	Date
Designed By:	Date:
Drawn By:	Date:
Checked By:	Date:



CITY OF ALBUQUERQUE PUBLIC WORKS DEPARTMENT ENGINEERING DEVELOPMENT GROUP			
TITLE: ALBUQUERQUE INTERNATIONAL AIRPORT RENTAL CAR FACILITY (RAC) - READY & RETURN LOT OVERALL SITE PLAN			
Design Review Committee	City Engineer Approval	Ms./Day/Yr.	Ms./Day/Yr.
City Project No. 6564.00-T6	Zone Map No. M-16	Drawing No. C-120	Sheet Of



1
CONCRETE PAD DETAIL
SCALE: N.T.S.
C-121

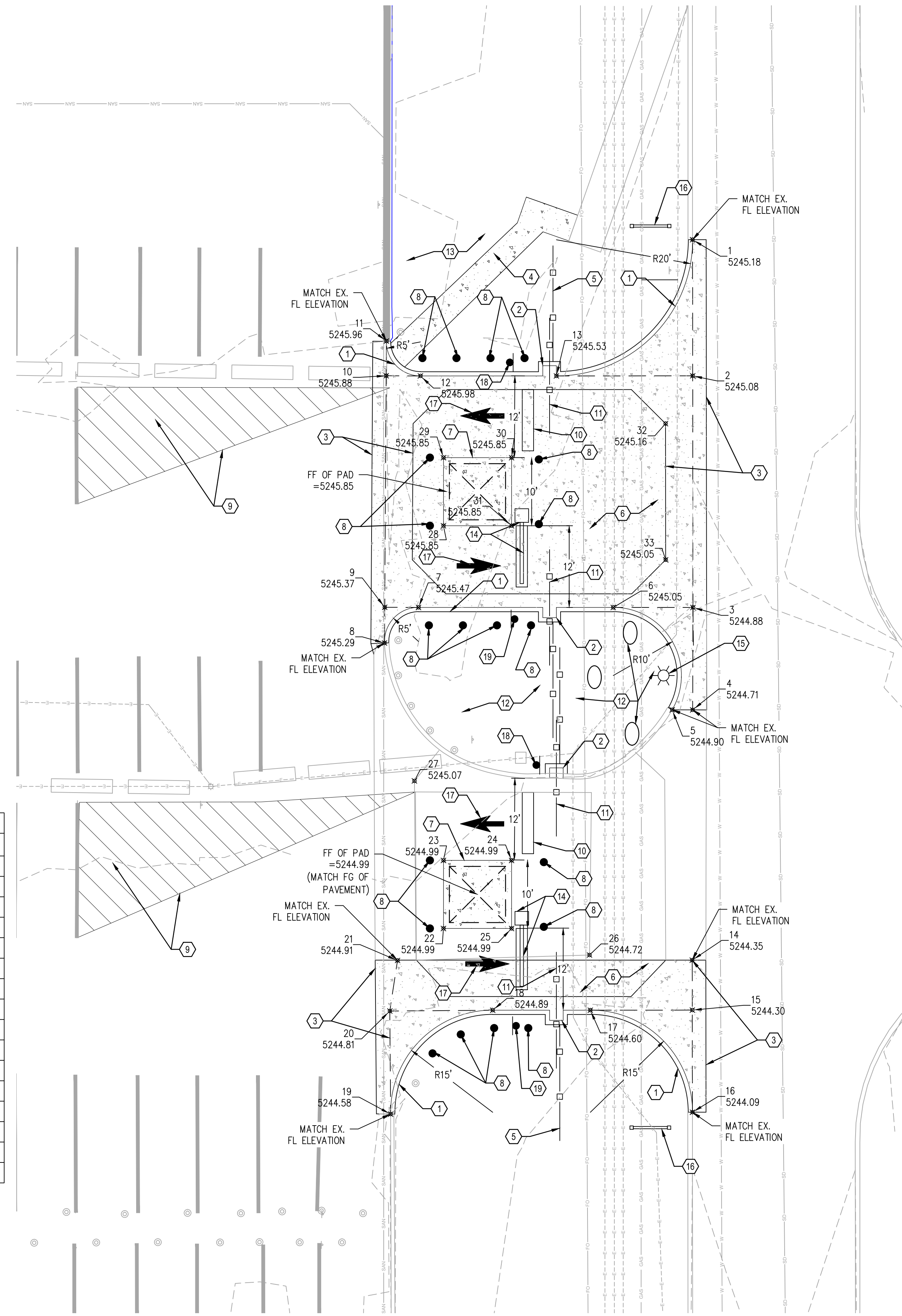


2
ROLL GATE DETAIL (EXAMPLE)
SCALE: N.T.S.
C-121

POINT #	NORTHING	EASTING	ELEVATION	DESCRIPTION
1	1469672.99	1528239.02	5245.18	FL
2	1469672.97	1528219.02	5245.08	FL
3	1469672.93	1528185.00	5244.88	FL
4	1469672.97	1528169.96	5244.71	FL
5	1469675.98	1528169.97	5244.90	CURB
6	1469684.64	1528185.00	5245.05	FL
7	1469713.24	1528185.00	5245.47	FL
8	1469718.23	1528179.78	5245.29	FL
9	1469718.20	1528185.03	5245.37	FL
10	1469717.99	1528219.03	5245.88	FL
11	1469717.96	1528224.13	5245.96	FL
12	1469712.96	1528219.00	5245.98	FL
13	1469692.99	1528219.00	5245.53	FL
14	1469673.03	1528133.20	5244.35	FL
15	1469673.02	1528125.87	5244.30	FL
16	1469673.01	1528110.87	5244.09	FL
17	1469688.01	1528125.85	5244.60	FL

POINT #	NORTHING	EASTING	ELEVATION	DESCRIPTION
18	1469702.34	1528125.85	5244.89	FL
19	1469717.34	1528110.59	5244.58	FL
20	1469717.46	1528125.74	5244.81	FL
21	1469716.32	1528133.16	5244.91	FL
22	1469709.58	1528137.85	5244.99	FG
23	1469709.58	1528147.85	5244.99	FG
24	1469699.58	1528147.85	5244.99	FG
25	1469699.58	1528137.85	5244.99	FG
26	1469688.12	1528133.96	5244.72	FG
27	1469713.84	1528159.53	5245.07	FG
28	1469709.58	1528197.00	5245.85	FG
29	1469709.58	1528207.00	5245.85	FG
30	1469699.58	1528207.00	5245.85	FG
31	1469699.58	1528197.00	5245.85	FG
32	1469676.96	1528212.00	5245.16	FG
33	1469676.94	1528192.00	5245.05	FG

NOTE:
ELEVATION INDICATED AT 0.00 TO BE MATCHING
EXISTING GRADE ELEVATION.



GENERAL NOTES:

- ALL SITE CONSTRUCTION SHOULD CONFORM TO CITY OF ALBUQUERQUE PUBLIC WORKS STANDARD SPECIFICATION AND DETAILS UNLESS OTHERWISE NOTED.
- DIMENSION SHOWN ON THIS PLAN REFERENCE TO FACE OF CURB, EDGE OF BUILDING, EDGE OF SIDEWALKS UNLESS OTHERWISE NOTED.
- ALL EXISTING UTILITIES SHOWN ON THIS PLAN ARE APPROXIMATE, CONTRACTOR TO FIELD VERIFY EXISTING LOCATION PRIOR TO EXCAVATION.
- CONTRACTOR TO CALL IN FOR UTILITY LINE LOCATES PRIOR TO ANY EXCAVATION.
- EXISTING UNDERGROUND UTILITY SHALL BE REMAIN & PROTECTED THROUGH CONSTRUCTION UNLESS OTHERWISE NOTED.

KEYNOTES:

- CONSTRUCT 8" STANDARD CURB & GUTTER PER COA STANDARD DETAIL DWG 2415A. CONTRACTOR TO FIELD VERIFY AND MATCH EXISTING CURB HEIGHT.
- INSTALL 2' X 1.5' CURB & GUTTER TURN-IN FOR SLIDING GATE ROLLER.
- CONSTRUCT CONCRETE VALLEY GUTTER PER COA STANDARD DETAIL DWG 2420.
- CONSTRUCT 5' WIDE CONCRETE SIDEWALK PER COA STANDARD DETAIL DWG 2430.
- INSTALL CONCRETE MOW CURB PER COA STANDARD DETAIL AROUND NEW FENCE TO SEPARATE EXISTING LAWN AREA.
- CONSTRUCT 6" PORTLAND CEMENT CONCRETE OVER 6" AGGREGATE BASE COURSE OVER 12" OF COMPACTED SUBGRADE CONCRETE DRIVEWAY.
- CONCRETE 10' X 10' CONCRETE PAD FOR PREFABRICATED BOOTH BUILDING PER DETAIL 1, THIS SHEET.
- INSTALL 3' STATIONARY STEEL BOLLARD PER COA STANDARD DETAIL DWG 2250. COLOR SHALL BE "SAFETY YELLOW".
- INSTALL 4" WHITE STRIPING WITH 45 DEGREE STRIPING SPACED @ 2' FOR NO PARKING AREA.
- INSTALL 9' LONG SURFACE MOUNTED TRAFFIC SPIKES, CONTRACTOR TO COORDINATE WITH OWNER FOR TYPE AND MANUFACTURE.
- INSTALL 34" WIDE X 6' HEIGHT WROUGHT IRON DOUBLE SLIDE ROLLING GATE AND FENCE PER DETAIL 2, THIS SHEET. CONTRACTOR TO MATCH EXISTING FENCE AND GATE TYPE AND COLOR ACROSS THE STREET FROM PROJECT SITE.
- REMOVE EXISTING SOD AND IRRIGATION, REPLACE WITH ROCK MULCHING AND LARGE BOULDERS FOR PROTECTION. MATCH ROCK MULCHING COLOR ACROSS STREET.
- FIELD ADJUST EXISTING IRRIGATION LINES AND INSTALL NEW SOD.
- INSTALL AUTOMATED TIGER TEETH AND SECURITY ARM WITH SENSOR GROUND LOOP IN PAVEMENT FOR AUTOMATIC CLOSING. CONTRACTOR TO COORDINATE WITH OWNER AND SUNPORT AVIATION DEPARTMENT FOR SPEC.
- RELOCATED EXISTING LIGHT POLE, INSTALL NEW LIGHT POLE BASE, SEE ELECTRICAL PLAN FOR DETAIL AND POWER LINE RE-ROUTE REQUIREMENTS.
- PROPOSED SIGN LOCATION, TO BE FIELD VERIFY.
- INSTALL "WHITE" PERMANENT PAVEMENT ARROW MARKING, CONTRACTOR TO PROVIDE SUBMITTAL FOR APPROVAL.
- INSTALL "DO NOT BACK UP" SIGN AT ENTRANCE DIRECTION & INSTALL "DO NOT ENTER" & "ONE-WAY" SIGN ON SAME POST IN OPPOSITE DIRECTION. CONTRACTOR TO SUBMIT SIGN KIT SUBMITTAL FOR APPROVAL.
- INSTALL "WARNING, STOP HERE" SIGN AT EXIT DIRECTION & INSTALL "DO NOT ENTER" & "ONE-WAY" SIGN ON SAME POST IN OPPOSITE DIRECTION, CONTRACTOR TO SUBMIT SIGN KIT SUBMITTAL FOR APPROVAL.

AS BUILT INFORMATION

Contractor	
Work Staked By	
Accepted By	
Field Checked By	
Reviewed By	
Checked By	
Recorded By	
No.	

BENCH MARKS

No.	Date

SURVEY INFORMATION

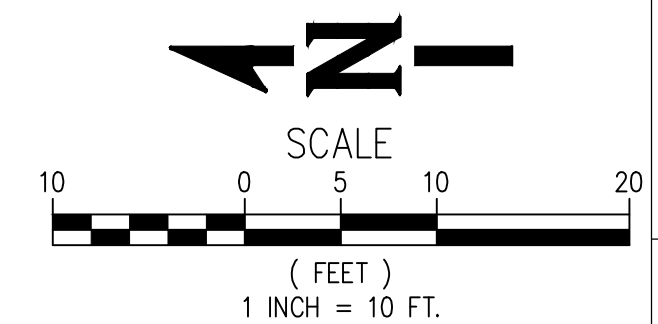
No.	Field Notes	By	Date



REVISIONS

No.	Date	Remarks	By

DESIGN



CITY OF ALBUQUERQUE
PUBLIC WORKS DEPARTMENT
ENGINEERING DEVELOPMENT GROUP

TITLE: ALBUQUERQUE INTERNATIONAL AIRPORT
RENTAL CAR FACILITY (RAC) - READY & RETURN LOT
SITE & GRADING PLAN

Design Review Committee	City Engineer Approval	Ms./Day/Yr.	Ms./Day/Yr.

City Project No. 6564.00-16 Zone Map No. M-16 Drawing No. C-121 Sheet Of

FINAL DESIGN - REVISION MAY 17, 2022

[DATE: 5/17/2022 9:40 AM] [AUTHOR: jockylin] [PLOTTER: hp5si] [STYLE: -----] [PAth: P:\Albuquerque International Sunport\22020-0-A0001701\Execution\Drawings\Civil\Ready & Return Lot Design\2127017.06-C-121 SITE PLAN.dwg] [LAYOUT: C-121 SITE PLAN]