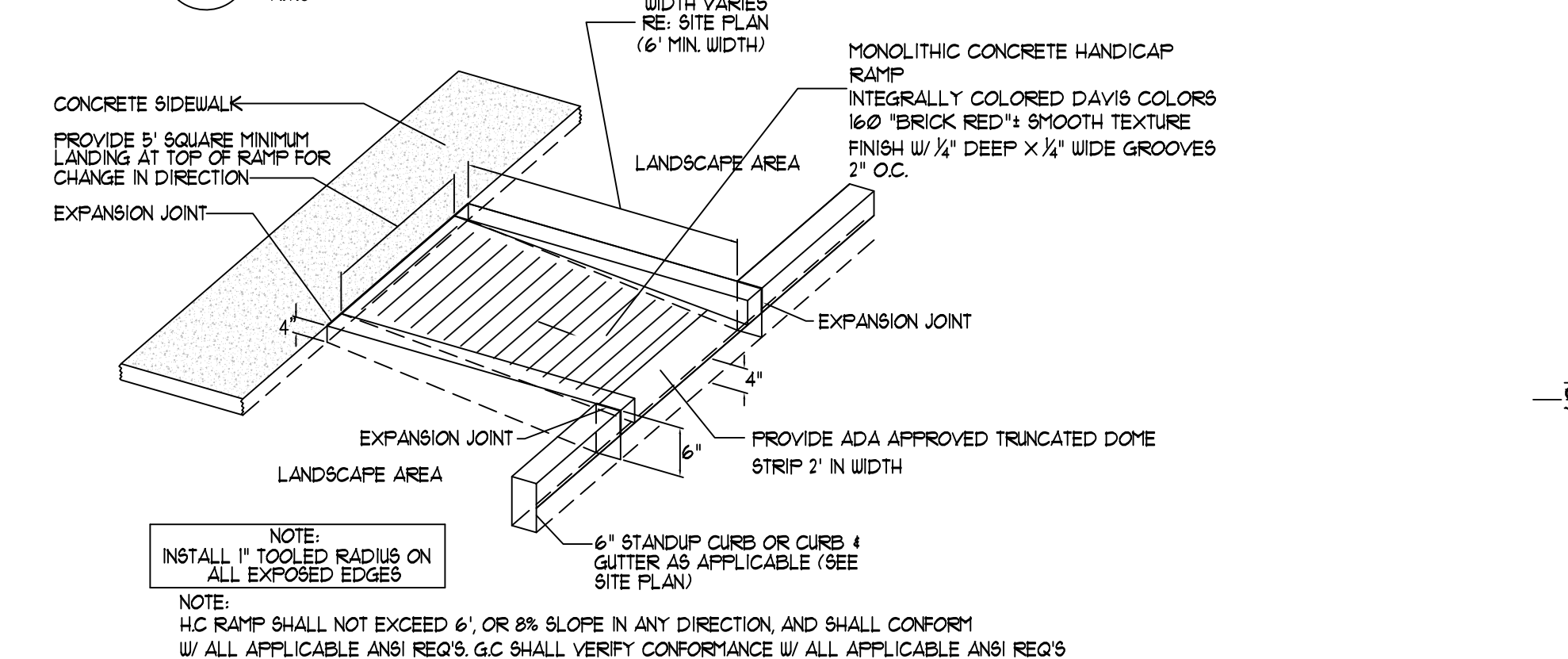
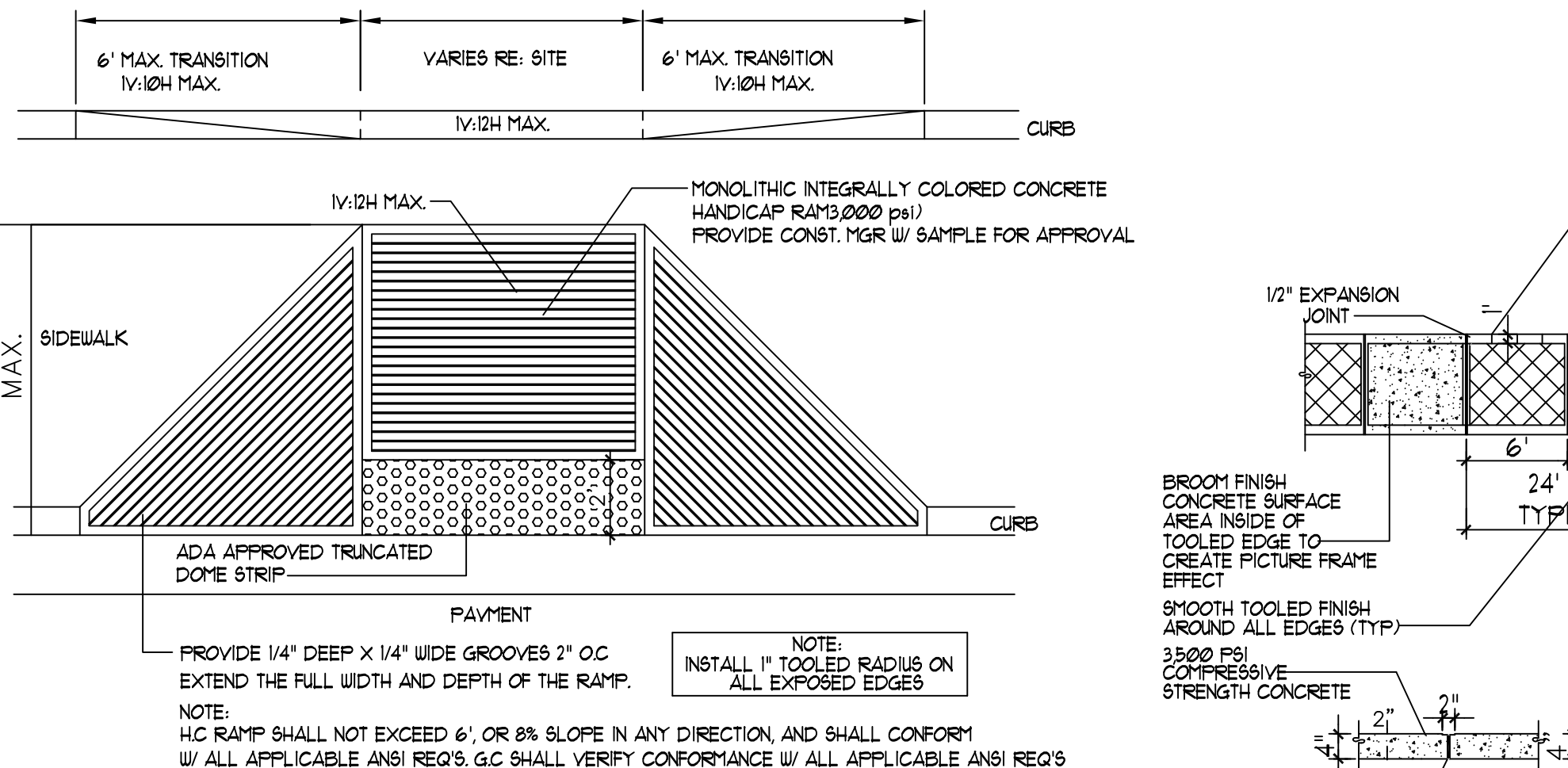


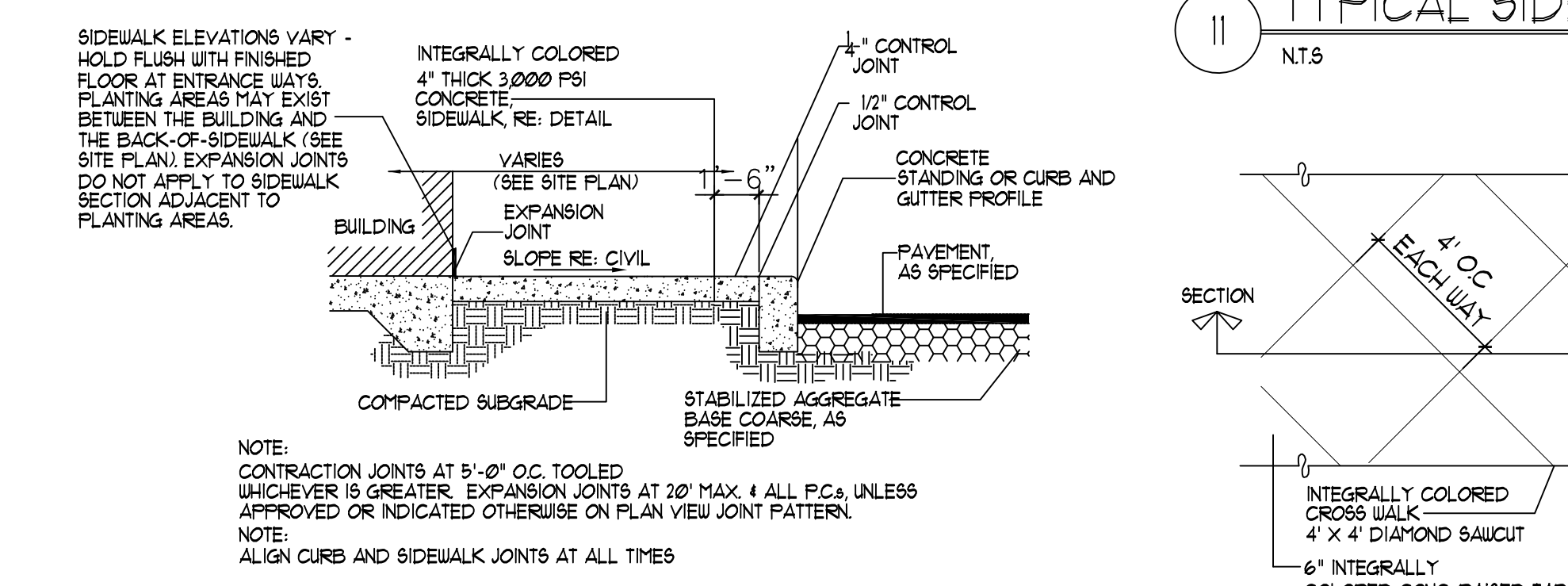
17 TAPERED H.C. RAMP
NT.S



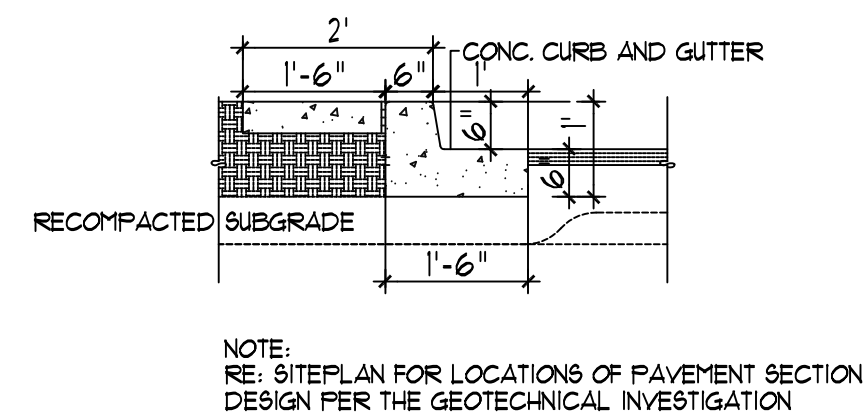
16 CURBED H.C. RAMP
NT.S



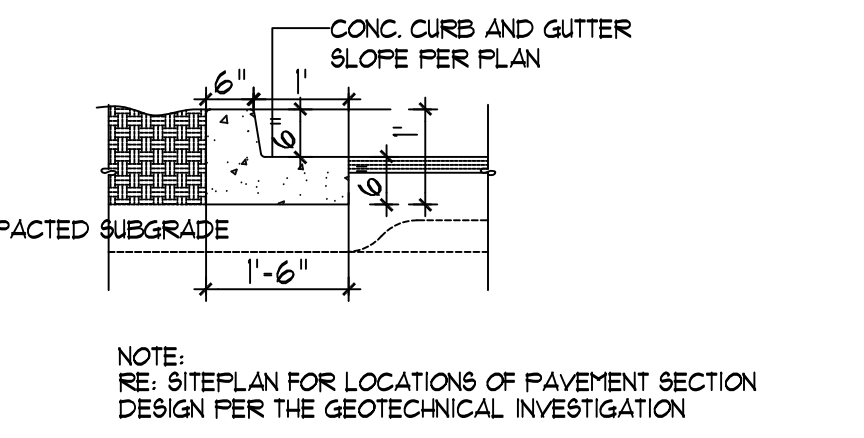
15 FLARED H.C. RAMP
NT.S



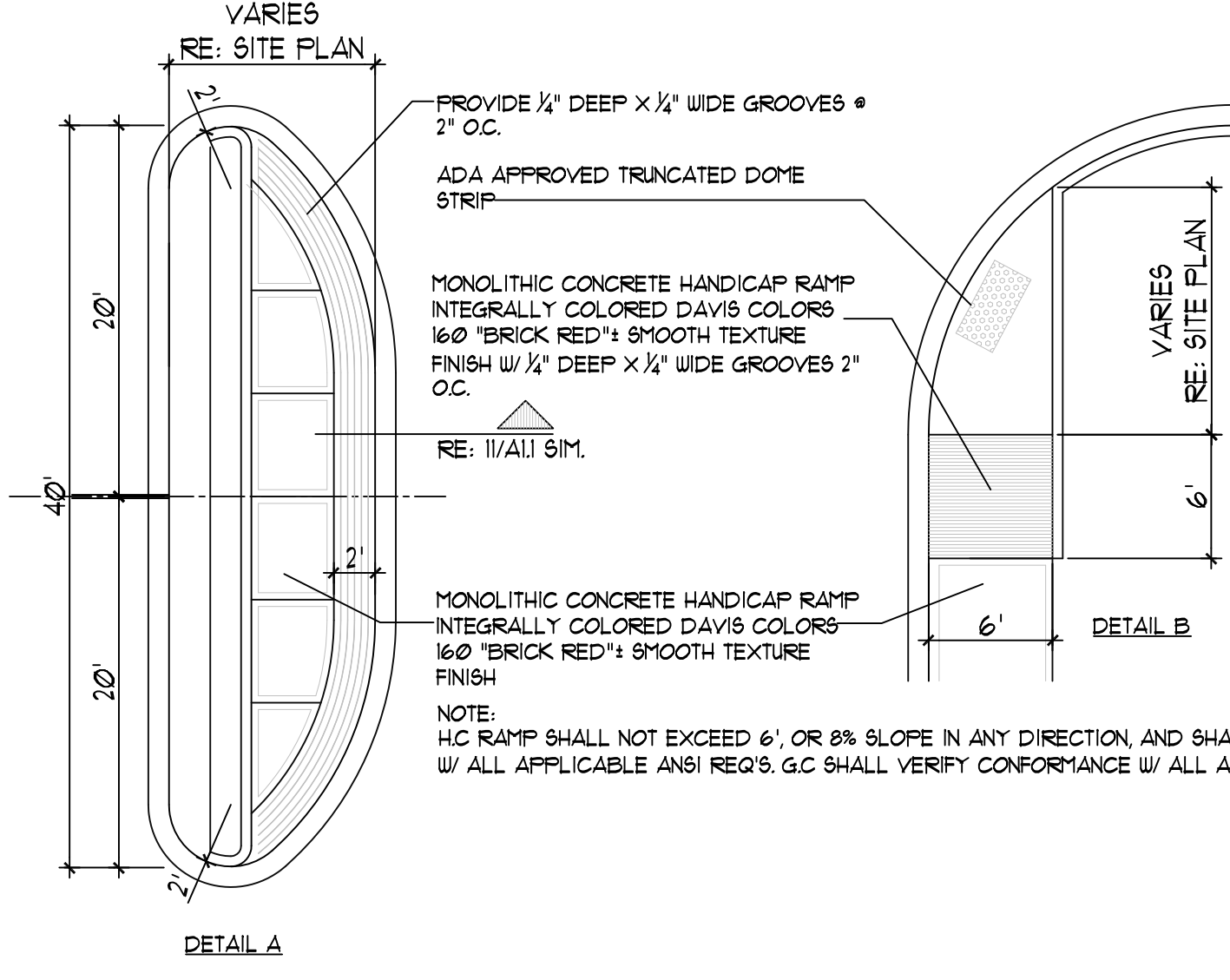
14 SIDEWALK W/ TURNDOWN CURB SECTION
NT.S



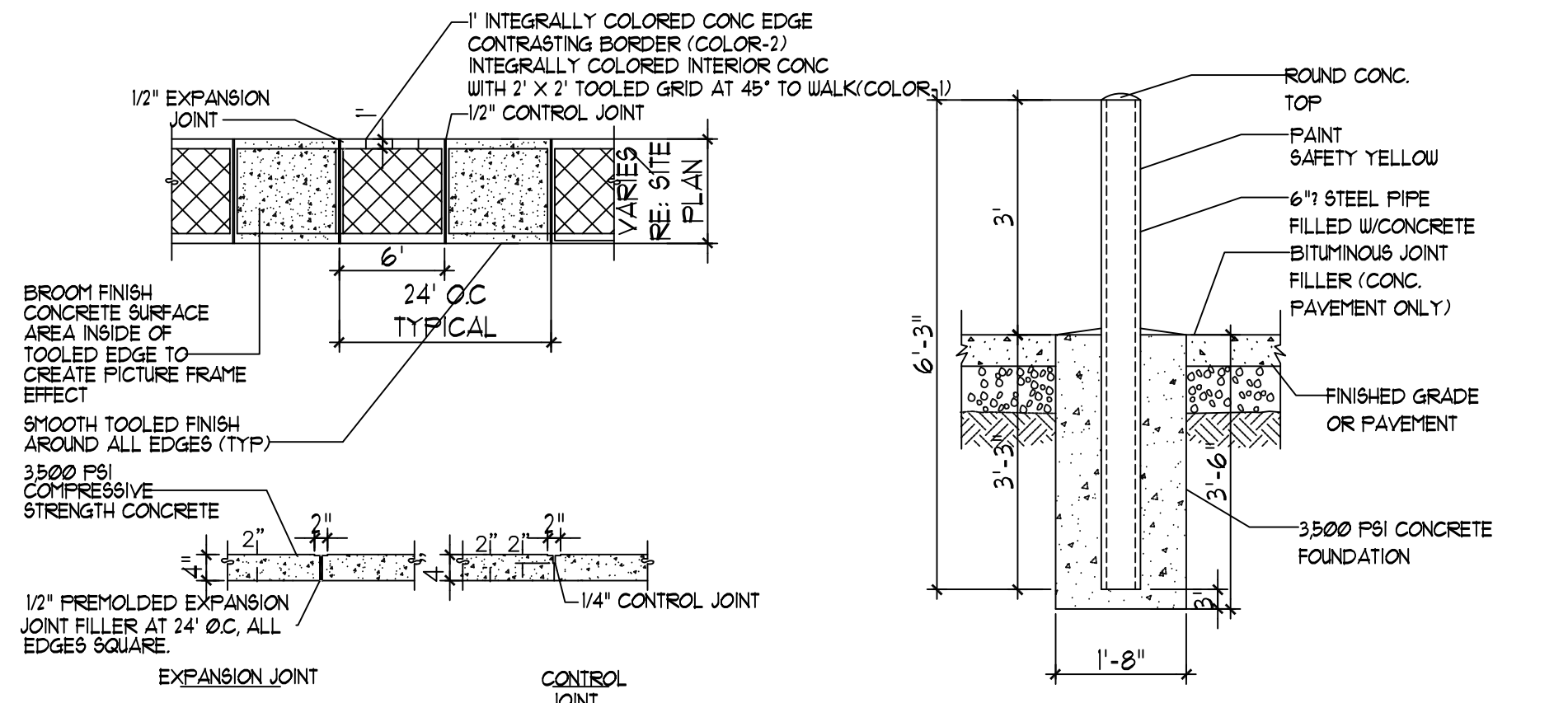
19 ISLAND CURB DETAIL
NT.S



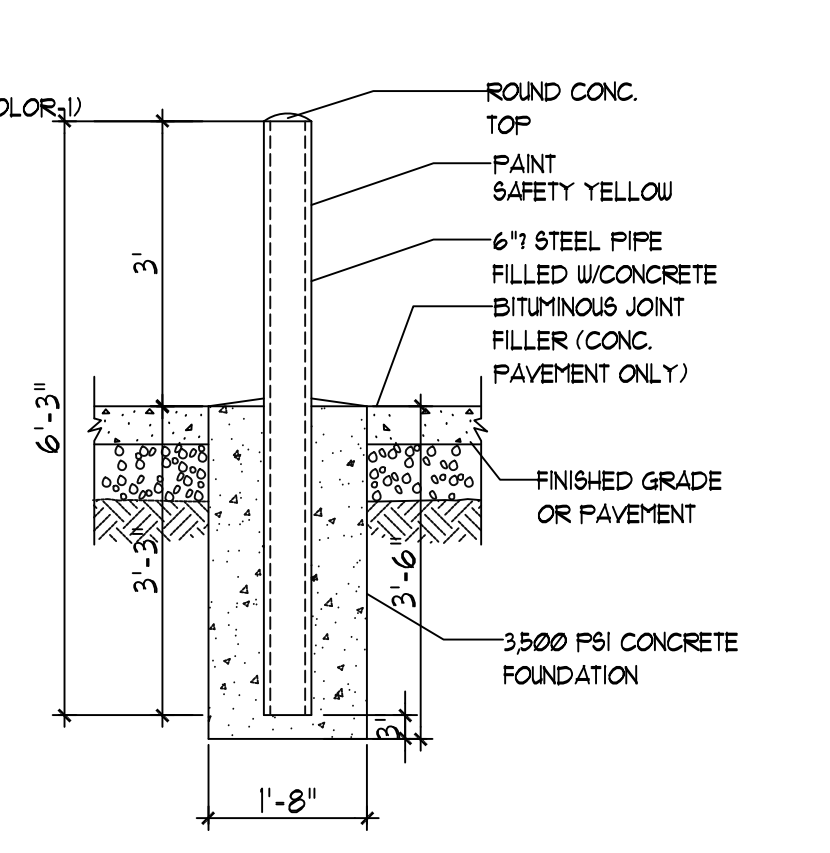
18 TYPICAL CURB DETAIL
NT.S



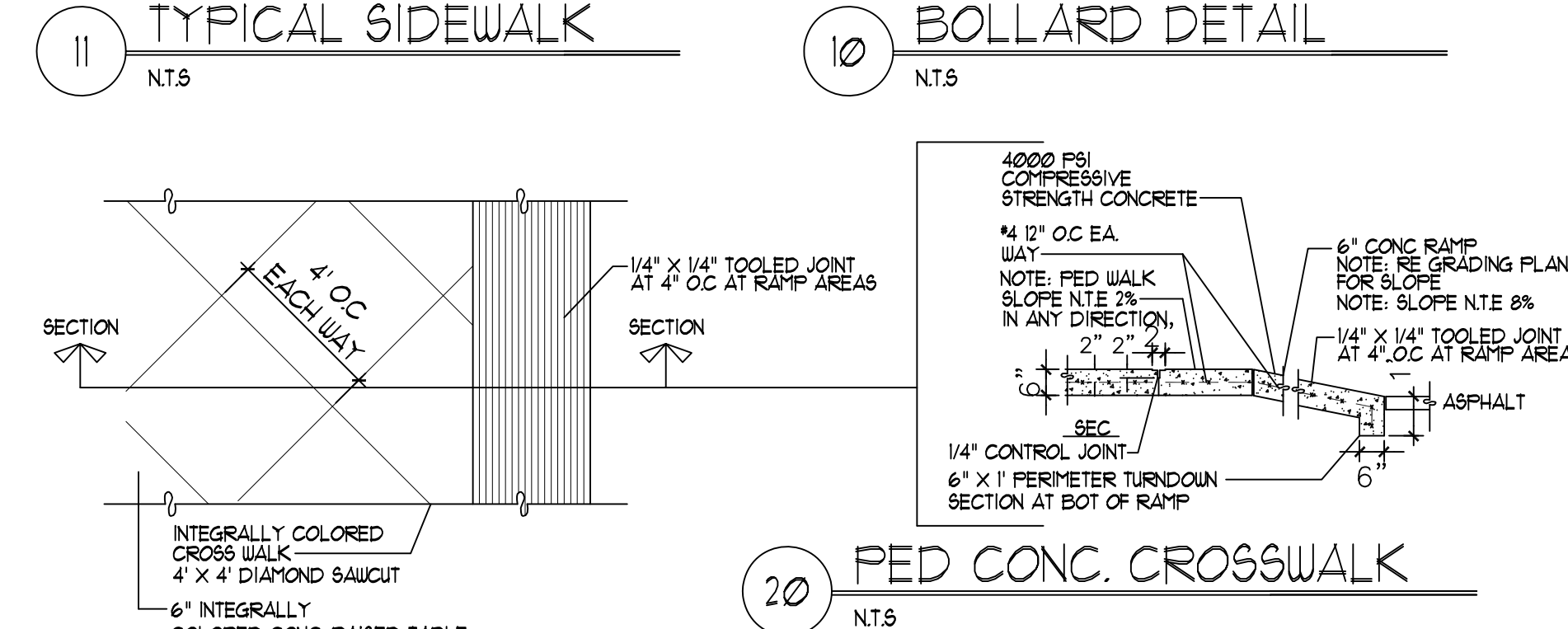
12 TYP. END ISLAND W/ WALK
NT.S



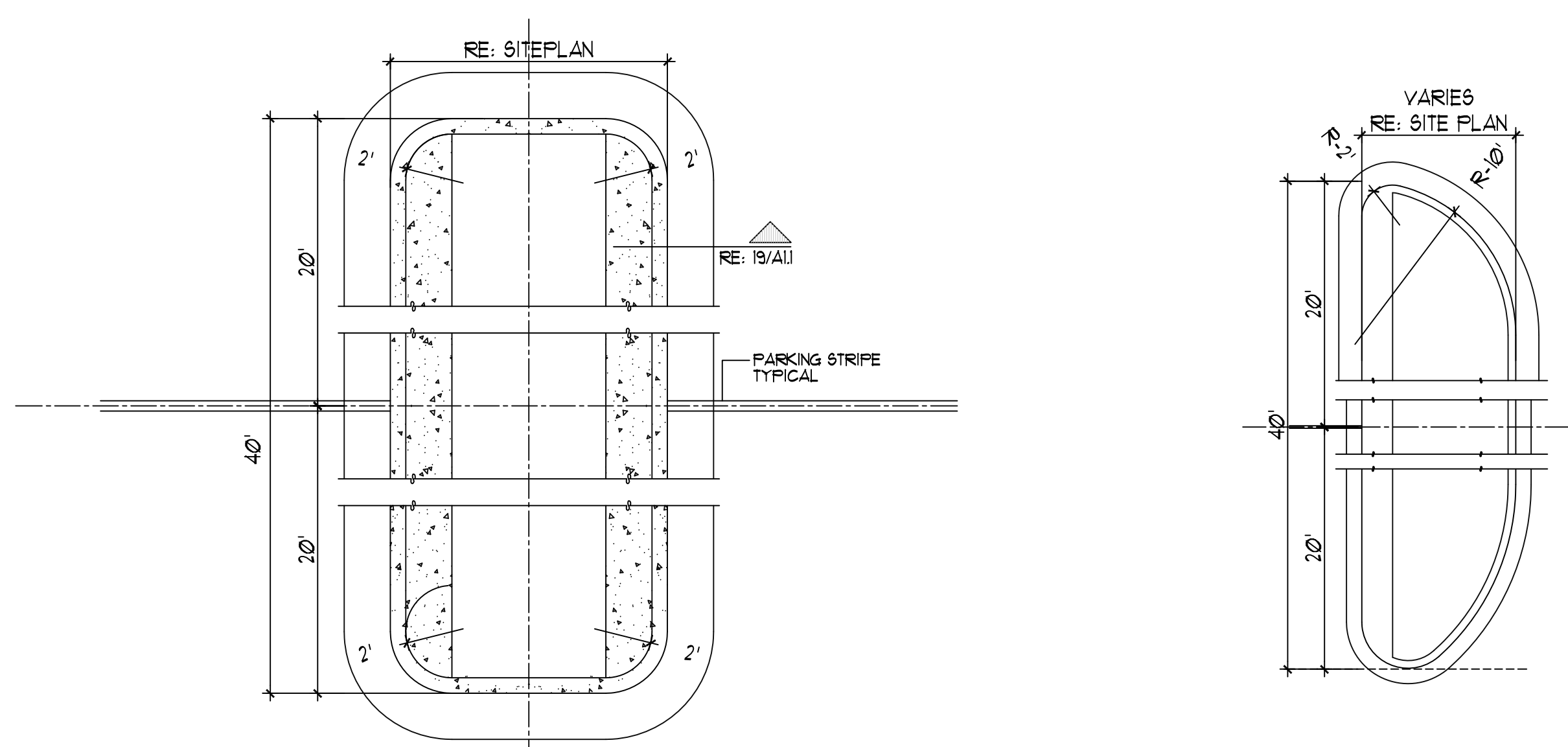
11 TYPICAL SIDEWALK
NT.S



10 BOLLARD DETAIL
NT.S

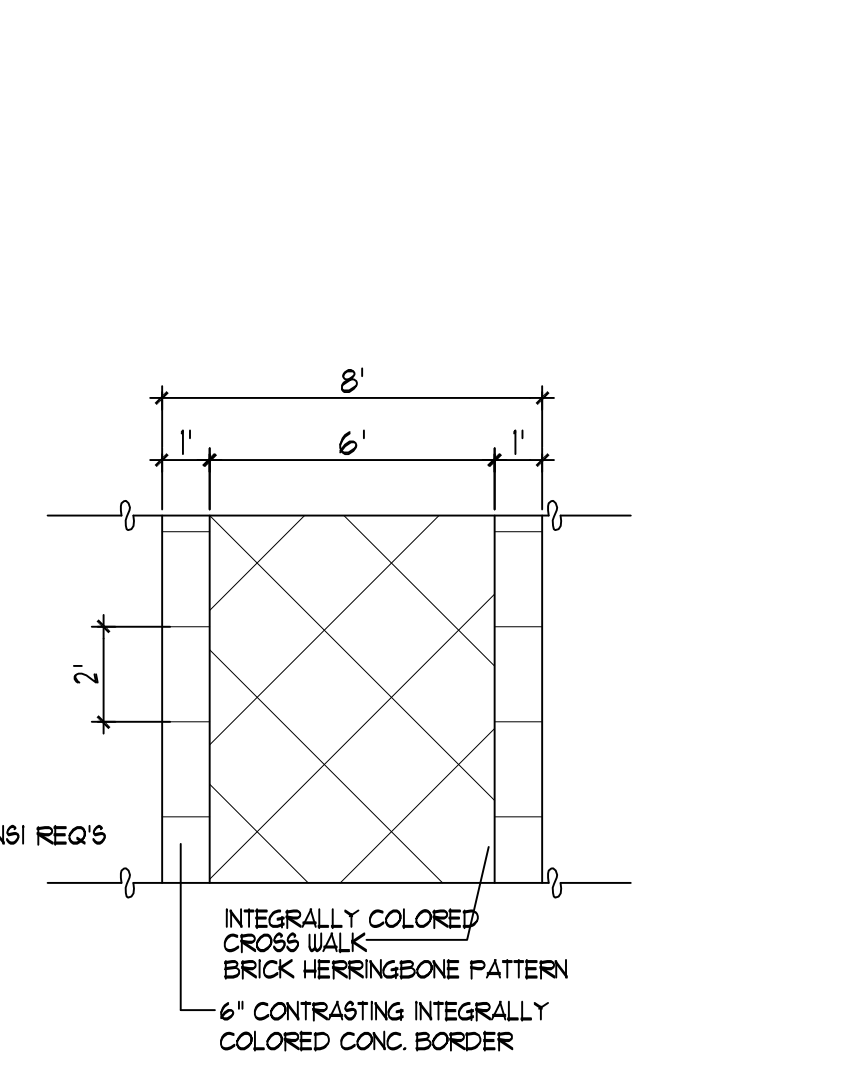


20 PED. CONC. CROSSWALK
NT.S

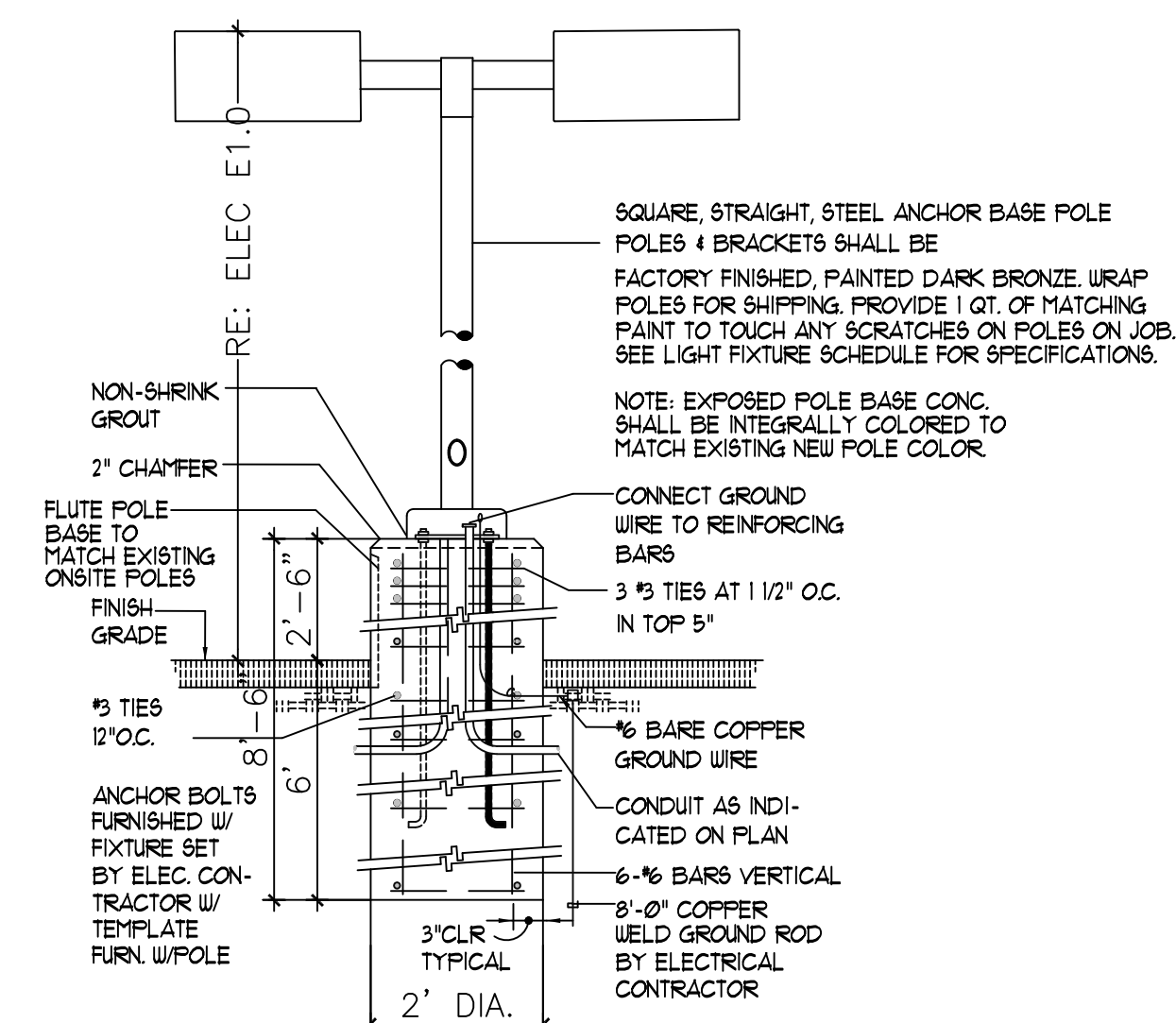


8 ISLAND DETAIL
NT.S

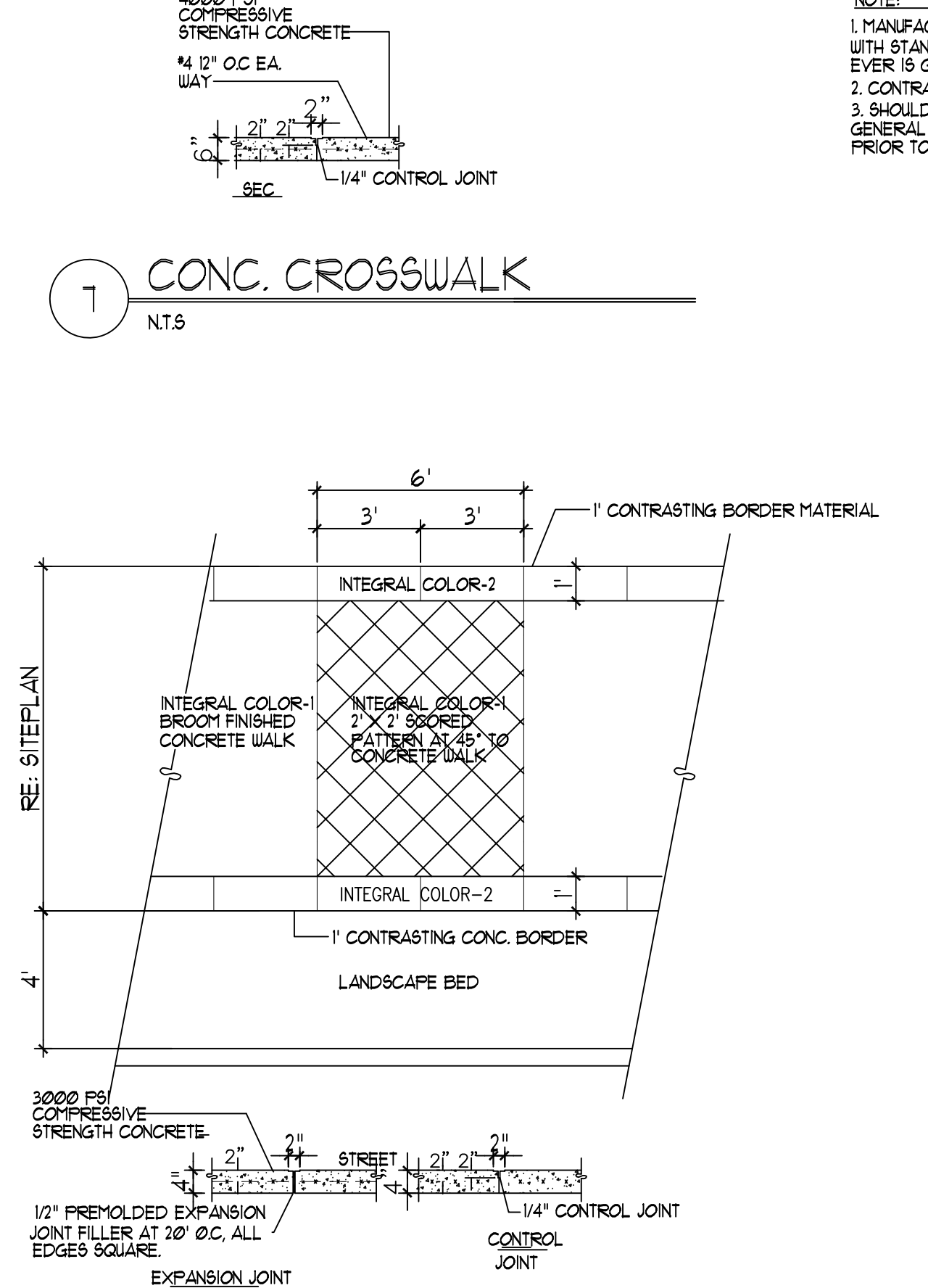
4 END ISLAND DETAIL
NT.S



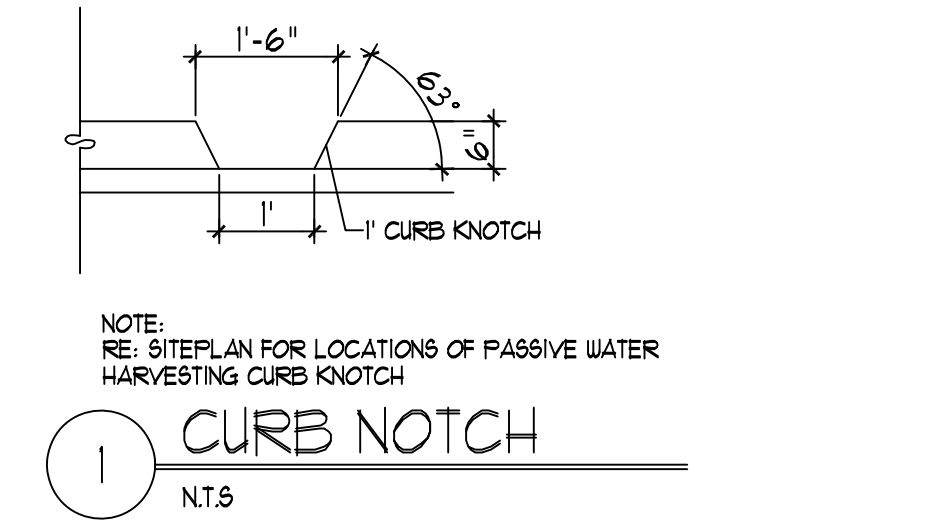
7 CONC. CROSSWALK
NT.S



3 LIGHT POLE DETAIL
NT.S



2 TYPICAL STREET SIDEWALK
NT.S



1 CURB NOTCH
NT.S

REV	DATE	BY	REVISION
6			
5			
4			
3			
2			

MODULUS ARCHITECTS
100 SUN AVE. N.W. SUITE 600
ALBUQUERQUE, NEW MEXICO 87109
PHONE (505) 338-1499 FAX (505) 338-1498



PROJECT TITLE: HOTEL SITE PLAN
2100 LOUISIANA ALBUQUERQUE, NEW MEXICO
JOB NO.: WIN-HOTEL
PROJECT MANAGER: STEPHEN DUNBAR, AIA
DRAWN BY: S
SHEET TITLE: SITE DETAILS

DATE: 2/16/21
SCALE: As Shown
Re: PLAN