



Presbyterian PRESNow Coors Clinic

Exterior Sign Package

Project Number: 20190313 PRESNow Clinic Exterior

Number of Sheets: 62

Owner: Presbyterian

General Contractor: TBD

Architect: DPS

CSB Project Manager: Ingrid Kocher

CSB Designer: Johnathan Sylversmythe

Submitted Date: TBD

Submitted To: Diana Lamb

Submitted Type: Digital Copy / Hard Copy

Approval Due Date: TBD

Scheduled Install Date: TBD

Rev 1 Submitted Date:

Rev 1 Revised/New Sheets:

Rev 2 Submitted Date:

Rev 2 Revised/New Sheets:

Contents

Photo Overlay of PRESNow Front-Lit Channel Letters 03

Photo Overlay Design Concept 04

East of Building 04

Photo Overlay Design Concept 05

East of Building 05

Photo Overlay Design Concept 06

North of Building 06

Photo Overlay Design Concept 07

North of Building 07

Placement Plan of Exterior Signs 08

Exterior Placement Plan 09

DRB Placement Exterior Sign Location 10

DRB Family of Exterior Sign Types 11

Exterior Sign Family 12

Sign Family A.1 & B.1 13

Sign Family B.1 & H.1 14

Sign Family Illuminated Dimensional Letters 15

Exterior Sign Type A.1 16

Design and Specification 17

Graphic Layout Standard 18

Construction 19

Footing Specifications 20

Electrical 21

Engineer Stamp of A.1 22

Exterior Sign Type B.1 26

Design and Specification 27

Graphic Layout Standard 28

Construction 29

Electrical 30

Footing Specifications 31

Engineer Stamp 32

LOC 1.2- B1 Design and Specification 33

LOC 1.2 - B1 Graphic Layout 34

LOC 1.2 - B1 Location and Placement 35

LOC 1.1 - B1 Design and Specification 36

LOC 1.1 - B1 Graphic Layout 37

LOC 1.1 - B1 Location and Placement 38

Exterior Sign Type H.1 39

Design and Specification 40

Construction 41

Installation and Conditions 42

LOC 1.0 - H1 Design and Specification 43

LOC 1.0 - H1 Graphic Layout 44

LOC 1.0 - H1 Construction 45

LOC 1.0 - H1 Placement and Location 46

LOC 1.2 - H1 Design and Specification 47

LOC 1.2 - H1 Graphic Layout 48

LOC 1.2 - H1 Construction 49

LOC 1.2 - H1 Placement and Location 50

LOC 1.3 - H1 Design and Specification 51

LOC 1.3 - H1 Graphic Layout 52

LOC 1.3 - H1 Construction 53

LOC 1.3 - H1 Location and Placement 54

Exterior Dimensional Letters 55

Design and Specification 56

Side Wall Elevations Installation 57

Electrical Conduit on back of Parapit 58

Installation on North Side of Building 59

Installation on East Side of Building 60

03

Photo Overlay of PRESNow
Front-Lit Channel Letters

General Contractor: TBD
Project: TBD
Developed By: Century Sign Builders

PHOTO REFERENCE ONLY - ACTUAL LOCATION 6400 PASEO PRESNOW



**EAST ELEVATION -
DAYTIME SIMULATION**

SCALE: 3/32"=1'
111 SqFt

* Note Space between brought in a bit more than original logo



PRES
Height: 31"
Visibility: 525'

Emergency "E"
Height: 12"
Visibility: 300'

PACKAGE Q:\Presbyterian\4515 Coors - PRESNow Clinic\20190313 PRESNow Clinic Exterior\Renderings, Submittals & PDFs\Submittals\20190315 PRESNow 4515 Exterior Sign Submittal

CONTACT	DRAWN BY	CLIENT / PROJECT	SUBMITTAL DATE	DRAWING REVISED DATE	SHEET TITLE	SHEET
Albuquerque / Phoenix P 505.888.2901 ext 104 F 505.888.2902 csbsigns.com	Johnathan Sylversmythe JohnathanS@csbsigns.com <small>This artwork and design is owned by Century Sign Builders unless expressly stated. Use of this document or the design shown here without permission is prohibited.</small>	Client / GC: Presbyterian PRESNow Project: 20190313 PRESNow Clinic Exterior APPROVAL REQUIRED FOR PRODUCTION SIGNATURE / DATE	00/00/0000 <small>Sign Package Modification Date: June 13, 2019 12:42 PM</small>	00/00/0000	Photo Overlay Design Concept East of Building	04



PHOTO REFERENCE ONLY - ACTUAL LOCATION 6400 PASEO PRESNOW



EAST ELEVATION -
NIGHT-TIME SIMULATION

SCALE: 3/32"=1'
111 SqFt

* Note Space between brought in a bit more than original logo



PRES
Height: 31"
Visibility: 525'

Emergency "E"
Height: 12"
Visibility: 300'

PACKAGE Q:\Presbyterian\4515 Coors - PRESNow Clinic\20190313 PRESNow Clinic Exterior\Renderings, Submittals & PDFs\Submittals\20190315 PRESNow 4515 Exterior Sign Submittal



CONTACT	DRAWN BY	CLIENT / PROJECT	SUBMITTAL DATE	DRAWING REVISED DATE	SHEET TITLE	SHEET
Albuquerque / Phoenix P 505.888.2901 ext 104 F 505.888.2902 csbsigns.com	Johnathan Sylversmythe JohnathanS@csbsigns.com <small>This artwork and design is owned by Century Sign Builders unless expressly stated. Use of this document or the design shown here without permission is prohibited.</small>	Client / GC: Presbyterian PRESNow Project: 20190313 PRESNow Clinic Exterior APPROVAL REQUIRED FOR PRODUCTION SIGNATURE / DATE	00/00/0000 Sign Package Modification Date: June 13, 2019 12:42 PM	00/00/0000	Photo Overlay Design Concept East of Building	05

PHOTO REFERENCE ONLY - ACTUAL LOCATION 6400 PASEO PRESNOW



NORTH ELEVATION -

DAYTIME SIMULATION

SCALE: 3/32"=1'

111 SqFt

* Note Space between brought in a bit more than original logo



PRES
Height: 31"
Visibility: 525'

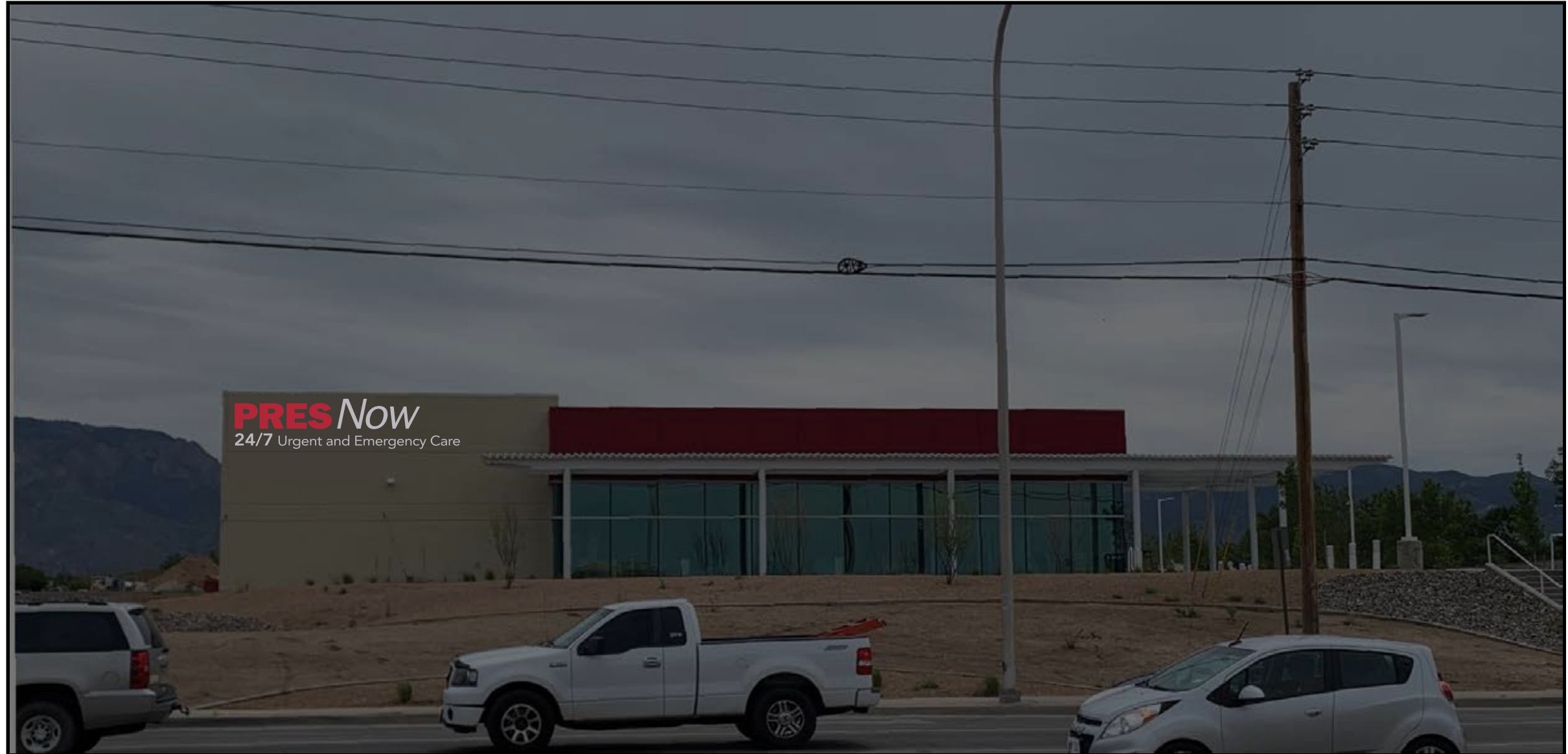
Emergency "E"
Height: 12"
Visibility: 300'

PACKAGE Q:\Presbyterian\4515 Coors - PRESNow Clinic\20190313 PRESNow Clinic Exterior\Renderings, Submittals & PDFs\Submittals\20190315 PRESNow 4515 Exterior Sign Submittal

CONTACT	DRAWN BY	CLIENT / PROJECT	SUBMITTAL DATE	DRAWING REVISED DATE	SHEET TITLE	SHEET
Albuquerque / Phoenix P 505.888.2901 ext 104 F 505.888.2902 csbsigns.com	Johnathan Sylversmythe JohnathanS@csbsigns.com <small>This artwork and design is owned by Century Sign Builders unless expressly stated. Use of this document or the design shown here without permission is prohibited.</small>	Client / GC: Presbyterian PRESNow Project: 20190313 PRESNow Clinic Exterior APPROVAL REQUIRED FOR PRODUCTION SIGNATURE / DATE	00/00/0000 Sign Package Modification Date: June 13, 2019 12:42 PM	00/00/0000	Photo Overlay Design Concept North of Building	06



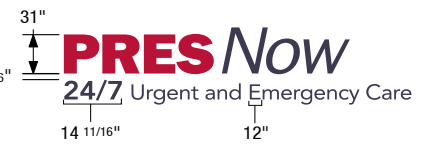
PHOTO REFERENCE ONLY - ACTUAL LOCATION 6400 PASEO PRESNOW



NORTH ELEVATION -
NIGHT-TIME SIMULATION

SCALE: 3/32"=1'
111 SqFt

* Note Space between brought in a bit more than original logo



PRES	Emergency "E"
Height: 31"	Height: 12"
Visibility: 525'	Visibility: 300'

PACKAGE Q:\Presbyterian\4515 Coors - PRESNow Clinic\20190313 PRESNow Clinic Exterior\Renderings, Submittals & PDFs\Submittals\20190315 PRESNow 4515 Exterior Sign Submittal

CONTACT	DRAWN BY	CLIENT / PROJECT	SUBMITTAL DATE	DRAWING REVISED DATE	SHEET TITLE	SHEET
Albuquerque / Phoenix P 505.888.2901 ext 104 F 505.888.2902 csbsigns.com	Johnathan Sylversmythe JohnathanS@csbsigns.com <small>This artwork and design is owned by Century Sign Builders unless expressly stated. Use of this document or the design shown here without permission is prohibited.</small>	Client / GC: Presbyterian PRESNow Project: 20190313 PRESNow Clinic Exterior APPROVAL REQUIRED FOR PRODUCTION SIGNATURE / DATE	00/00/0000 Sign Package Modification Date: June 13, 2019 12:42 PM	00/00/0000	Photo Overlay Design Concept North of Building	07



08

Placement Plan of Exterior Signs

General Contractor: TBD
Project: 20190313 PRESNow Clinic Exterior
Developed By: Century Sign Builders

COORS ROAD

COORS ROAD

WESTERN TRAIL

PRESNow FACILITY

QUAKER HEIGHTS PI



Black Marker New Sign		Orange Outline around Marker = Illuminated	
Type B.1	6' x 6', SQF: 36		1
Type A.1	10' 3" x 6', SQF: 62		2
Type H-1	2' x 3', SQF: 5		3
Type F.24	5' 1 5/16" x 21' 5 3/4" SQF: 111		2

PRESNow
24/7 Urgent and Emergency Care

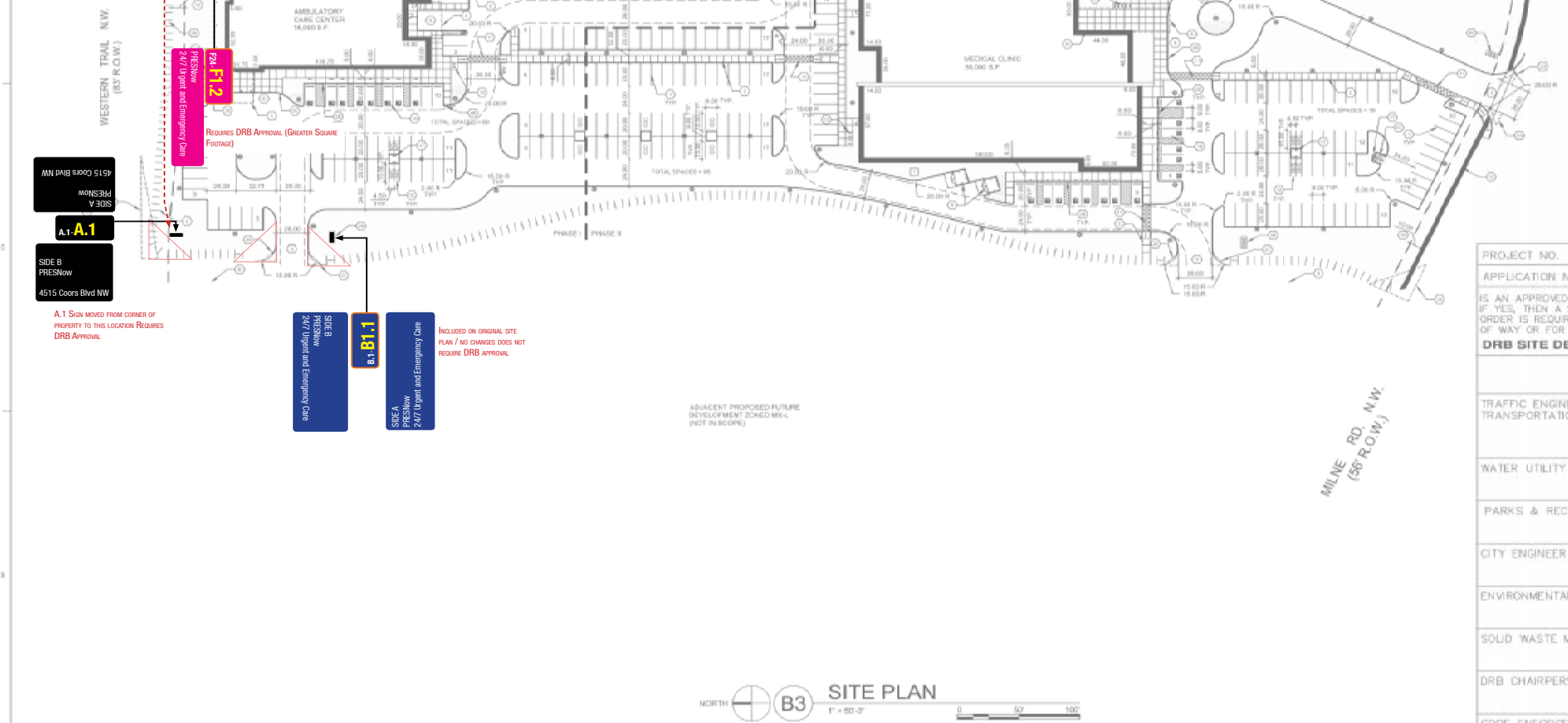
DRAWING Q:\Presbyterian\4515 Coors - PRESNow Clinic\20190313 PRESNow Clinic Exterior\Sign Location Plans\Exterior Sign Location Plan-4.0\20190315 4515 Coors PRESNow Clinic.dwg
 PACKAGE Q:\Presbyterian\4515 Coors - PRESNow Clinic\20190313 PRESNow Clinic Exterior\Renderings, Submittals & PDFs\Submittals\20190315 PRESNow 4515 Exterior Sign Submittal

CONTACT	DRAWN BY	CLIENT / PROJECT	SUBMITTAL DATE	DRAWING REVISED DATE	SHEET TITLE	SHEET
Albuquerque / Phoenix P 505.888.2901 ext 104 F 505.888.2902 csbsigns.com	Johnathan Sylversmythe JohnathanS@csbsigns.com <small>This artwork and design is owned by Century Sign Builders unless expressly stated. Use of this document or the design shown here without permission is prohibited.</small>	Client / GC: Presbyterian PRESNow Project: 20190313 PRESNow Clinic Exterior APPROVAL REQUIRED FOR PRODUCTION	00/00/0000 Sign Package Modification Date: June 13, 2019 12:42 PM	00/00/0000	Exterior Placement Plan	09



SIGNATURE / DATE

- Black Marker New Sign
- Orange Outline around Marker - Illuminated
- Type B.1 6'x6', SQF: 36 1
- Type A.1 10'3"x6', SQF: 62 2
- Type H-1 2'x3', SQF: 5 3
- Type F.24 5'11.5" x 21' 5.34" SQF: 111 2



SITE PLAN
1" = 50'-0"
0 50 100

PROJECT NO. _____
APPLICATION NO. _____

IS AN APPROVED INFRASTRUCTURE LIST REQUIRED? [YES] [NO]
IF YES, THEN A SET OF APPROVED DRG PLANS WITH A WORK ORDER IS REQUIRED FOR ANY CONSTRUCTION WITHIN PUBLIC RIGHT OF WAY OR FOR CONSTRUCTION OF PUBLIC IMPROVEMENTS.

DRB SITE DEVELOPMENT PLAN APPROVAL:

TRAFFIC ENGINEERING TRANSPORTATION DIVISION	DATE:
WATER UTILITY DEPARTMENT	DATE:
PARKS & RECREATION DEPARTMENT	DATE:
CITY ENGINEER	DATE:
ENVIRONMENTAL HEALTH (CONDITIONAL)	DATE:
SOLID WASTE MANAGEMENT	DATE:
DRB CHAIRPERSON, PLANNING DEPT.	DATE:
CODE ENFORCEMENT	DATE:

PROJECT DATA

BUILDING AREA
PHASE I: 15,000 SQ. FT.
PHASE II: 35,000 SQ. FT.
FULL BUILD OUT AREA: 50,000 SQ. FT.

CONSTRUCTION TYPE: IB
OCCUPANCY TYPE: B

AN AUTOMATIC SPRINKLER AND SMOKE DETECTION SYSTEM SHALL BE INSTALLED THROUGHOUT THE BUILDING. SPRINKLER CONTRACTOR TO SUBMIT SHOP DRAWINGS TO THE AUTHORITY HAVING JURISDICTION. FIRE ALARM SYSTEM TO BE PROVIDED.

FIRE FLOW: IFC TABLE 5105.1(2)
AMBULATORY CARE CENTER 2.7502 = 1,378 GPM
OUTPATIENT CLINIC 4.0892 = 2,000 GPM

FIRE HYDRANTS

AMBULATORY CARE CENTER =	REQUIRED	PROVIDED
OUTPATIENT CLINIC =	1	2 (500' SPACING)
	2	2 (450' SPACING)

PARKING CALCULATIONS

AMBUATORY CARE CENTER	REQUIRED	PROVIDED
PHASE I - 15,000 S.F. 5 SPACES PER 1,000 S.F. =	80 SPACES	80 SPACES
ACCESSIBLE PARKING 51-100 SPACES 6 ACCESSIBLE, 2 VAN ACCESSIBLE	4	5
MOTORCYCLE SPACES 51-100 SPACES	3	4
BICYCLE PARKING 10% OF REQUIRED OFF-STREET PARKING	8	6
MEDICAL CLINIC PHASE I - 35,000 S.F. 5 SPACES PER 1,000 S.F. = INCLUDING 8 COMPACT CAR SPACES = 3%	175 SPACES	175 SPACES
ACCESSIBLE PARKING 101-300 SPACES 19 ACCESSIBLE, 4 VAN ACCESSIBLE	8	14
MOTORCYCLE SPACES 51-100 SPACES	5	6
BICYCLE PARKING 10% OF REQUIRED OFF-STREET PARKING	18	16

- SHEET KEYED NOTES**
- PARKING LOT STRIPING
 - PEDESTRIAN PATHWAY
 - NEW CURB CUT
 - APRILANCE/LOADING AREA
 - CANOPY OVERHEAD
 - PATIENT DROP-OFF
 - PRESTANDING MONUMENT SIGN (TYPE C). SEE DETAIL A3/SOP5-4
 - DUMPSTER ENCLOSURE. SEE DETAIL D5/SOP5-3
 - PROPERTY LINE
 - BUILDING SETBACK
 - CROSSWALK TO BE CONSTRUCTED OF CONCRETE AND SHALL COMPLY WITH IBC SECTION 5-103.0(16) MATERIALS TO ALERT MOTORISTS.
 - MOTORCYCLE PARKING. 4'X5' MINIMUM UNLESS NOTED OTHERWISE.
 - BIKE RACK. SEE DETAIL A4/SOP5-3
 - NEW RIGHT TURN LANE.
 - BUILDING MOUNTED SIGN (TYPE B). SEE DETAIL C3/SOP5-4
 - PRESTANDING UPRIGHT SIGN INDICATING MOTORCYCLE PARKING ONLY.
 - EXISTING RIGHT TURN LANE.
 - H-C PARKING. SEE DETAIL D4/SOP5-3
 - NEW 6' WIDE CONCRETE PUBLIC SIDEWALK.
 - NEW LEFT TURN LANE.
 - SIGNALIZED INTERSECTION.
 - LANDSCAPING AND SIGNAGE WILL NOT INTERFERE WITH CLEAR SIGHT REQUIREMENTS. THEREFORE, SIGNS, WALL, TREES, AND SHRUBBERY BETWEEN 3 AND 8 FEET TALL (AS MEASURED FROM THE GUTTER PAR) WILL NOT BE ACCEPTABLE IN THE CLEAR SIGHT TRIANGLE.
 - BIKE LANE
 - PRESTANDING MONUMENT SIGN (TYPE D). SEE DETAIL A4/SOP5-4
 - BUILDING MOUNTED SIGN (TYPE A). SEE DETAIL D3/SOP5-4
 - BUS STOP
 - FLUSH CONCRETE SIDEWALK. SEE DETAIL D3/SOP5-3
 - 8"X24"X12" RAISED PLANTERS. SEE SOP5-1

- GENERAL SHEET NOTES**
- ALL PARKING AREAS DRIVE AISLES AND AUTOMOTIVE CIRCULATION PATHS TO BE ASPHALT PAVING.
 - ALL SIDEWALKS AND RAMPS TO BE CONCRETE.
- LEGEND**
- PROPERTY LINE
 - - - BUILDING SETBACK
 - - - FIRE ACCESS LANE
 - 6' WIDE CONCRETE CROSSWALK
 - EXISTING 6' WIDE CONCRETE SIDEWALK
 - LANDSCAPE AREA
 - POLE LIGHT (15' MAX HEIGHT). SEE DETAIL A5/SOP5-3
 - SIDEWALK RAMP (ARROW POINTS DOWN)
 - FIRE HYDRANT
 - M/C MOTORCYCLE SPACE, 4' X 8' MINIMUM UNLESS NOTED OTHERWISE
 - C/C COMPACT CAR SPACE, 9' X 15.5' UNLESS NOTED OTHERWISE. ALL COMPACT CAR SPACES SHALL BE LABELED WITH THE WORD "COMPACT" ON THE PAVEMENT OF EACH SPACE



ARCHITECTURE / DESIGN / NSPI

DEKKER PERICH SABATIN

7601 JEFFERSON NE, SU1 ALBUQUERQUE, NM
505.761.9700 / DPSDESIGN1
ARCHITECT

ENGINEER _____

PROJECT _____

PHS AMBULATORY CARE FACILITY
COORS BLVD., NW
ALBUQUERQUE, NM

REVISIONS

- △
- △
- △
- △

DRAWN BY _____
REVIEWED BY _____
DATE 1/15/20
PROJECT NO. 18-0101
DRAWING NAME
SITE PLAN
SHEET NO.
SDP1-
01

PACKAGE Q:\Presbyterian\4515 Coors - PRESNow Clinic\20190313 PRESNow Clinic Exterior\Renderings, Submittals & PDFs\Submittals\20190315 PRESNow 4515 Exterior Sign Submittal

CONTACT	DRAWN BY	CLIENT / PROJECT	SUBMITTAL DATE	DRAWING REVISED DATE	SHEET TITLE	SHEET
Albuquerque / Phoenix P 505.888.2901 ext 104 F 505.888.2902 csbnsigns.com	Johnathan Sylversmythe JohnathanS@csbnsigns.com This artwork and design is owned by Century Sign Builders unless expressly stated. Use of this document or the design shown here without permission is prohibited.	Client / GC: Presbyterian PRESNow Project: 20190313 PRESNow Clinic Exterior APPROVAL REQUIRED FOR PRODUCTION SIGNATURE / DATE	00/00/0000 Sign Package Modification Date: June 13, 2019 12:42 PM	00/00/0000	DRB Placement Exterior Sign Location	10





7601 JEFFERSON NE, SUITE 100
ALBUQUERQUE, NM 87109

505.761.9700 / DPSDESIGN.ORG

ARCHITECT

ENGINEER

PROJECT

PHS AMBULATORY CARE FACILITY
COORS BLVD, NW
ALBUQUERQUE, NM

REVISIONS



DRAWN BY

REVIEWED BY

DATE 11/1/2018

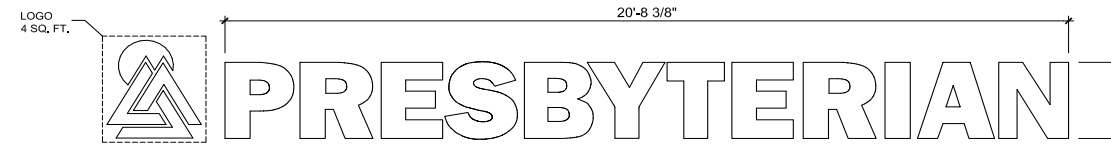
PROJECT NO. 18-0103.001

DRAWING NAME

SIGN ELEVATIONS

SHEET NO.

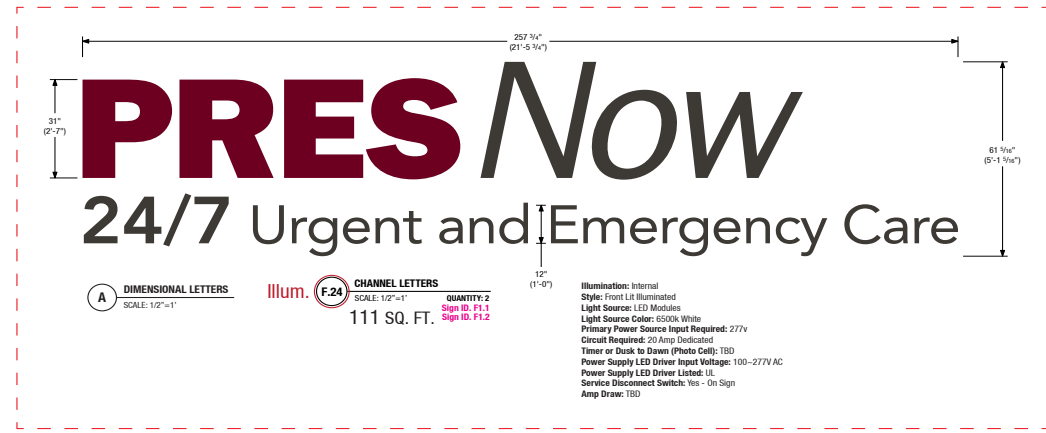
SDP5-4
OF



D3 CHANNEL LETTER WALL SIGN (TYPE A)
1/2" = 1'-0"

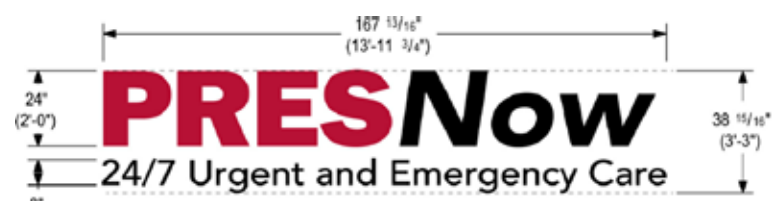
Illumination: Internal
Style: Reverse Channel Halo Lit
Light Source: LED Modules
Light Source Color: 6500K White
Primary Power Source Input Required: 277v
Circuit Required: 20 Amp Dedicated
Timer or Dusk to Dawn (Photo Cell): TBD
Power Supply LED Driver Input Voltage: 100-277V AC
Power Supply LED Driver Listed: UL
Service Disconnect Switch: Yes - On Sign
Amp Draw: TBD
LUMINANCE NOT TO EXCEED 200 FOOT LAMBERTS
OR 685 NITS AT NIGHT

Proposed Major Amendment Requires DRB Approval



A DIMENSIONAL LETTERS
SCALE: 1/2"=1'
F.24 CHANNEL LETTERS
SCALE: 1/2"=1'
QUANTITY: 2
SIGN ID: P1.1
SIGN ID: P1.2
111 SQ. FT.

Illumination: Internal
Style: Front Lit Illuminated
Light Source: LED Modules
Light Source Color: 6500K White
Primary Power Source Input Required: 277v
Circuit Required: 20 Amp Dedicated
Timer or Dusk to Dawn (Photo Cell): TBD
Power Supply LED Driver Input Voltage: 100-277V AC
Power Supply LED Driver Listed: UL
Service Disconnect Switch: Yes - On Sign
Amp Draw: TBD



C3 CHANNEL LETTER WALL SIGN (TYPE B)
1/2" = 1'-0"

Illumination: Internal
Style: Reverse Channel Halo Lit
Light Source: LED Modules
Light Source Color: 6500K White
Primary Power Source Input Required : 277v
Circuit Required : 20 Amp Dedicated
Timer or Dusk to Dawn (Photo Cell) : TBD
Power Supply LED Driver Input Voltage: 100-277V AC
Power Supply LED Driver Listed: UL
Service Disconnect Switch: Yes - On Sign
Amp Draw: TBD
LUMINANCE NOT TO EXCEED 200 FOOT LAMBERTS
OR 685 NITS AT NIGHT

Sign Type Approved
by DRB 3/22/2019

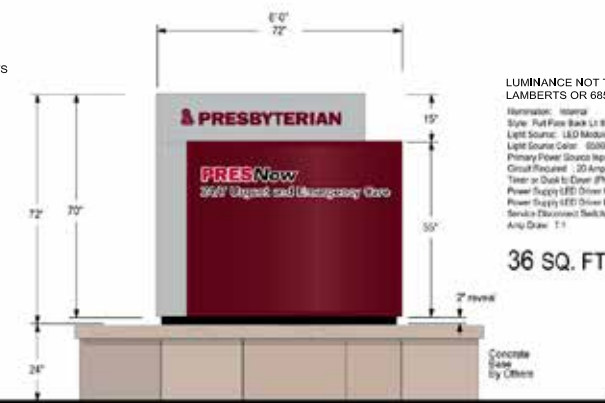


A3 MONUMENT SIGN (TYPE C)
1/2" = 1'-0"

Sign Type
Approved by DRB 3/22/2019

Illumination: Internal
Style: Full Face Back Lit Illuminated
Light Source: LED Modules
Light Source Color: 6500K White
Primary Power Source Input Required : 277v
Circuit Required : 20 Amp Dedicated
Timer or Dusk to Dawn (Photo Cell) : TBD
Power Supply LED Driver Input Voltage: 100-277V AC
Power Supply LED Driver Listed: UL
Service Disconnect Switch: Yes - On Sign
Amp Draw: 11.35
LUMINANCE NOT TO EXCEED 200 FOOT LAMBERTS
OR 685 NITS AT NIGHT

62 SQ. FT.



A5 MONUMENT SIGN (TYPE D)
1/2" = 1'-0"

Sign Type
Approved by DRB 3/22/2019

LUMINANCE NOT TO EXCEED 200 FOOT LAMBERTS OR 685 NITS AT NIGHT

Illumination: Internal
Style: Full Face Back Lit Illuminated
Light Source: LED Modules
Light Source Color: 6500K White
Primary Power Source Input Required : 277v
Circuit Required : 20 Amp Dedicated
Timer or Dusk to Dawn (Photo Cell) : TBD
Power Supply LED Driver Input Voltage: 100-277V AC
Power Supply LED Driver Listed: UL
Service Disconnect Switch: Yes - On Sign
Amp Draw: 11

36 SQ. FT.

PACKAGE Q:\Presbyterian\4515 Coors - PRESNow Clinic\20190313 PRESNow Clinic Exterior\Renderings, Submittals & PDFs\Submittals\20190315 PRESNow 4515 Exterior Sign Submittal

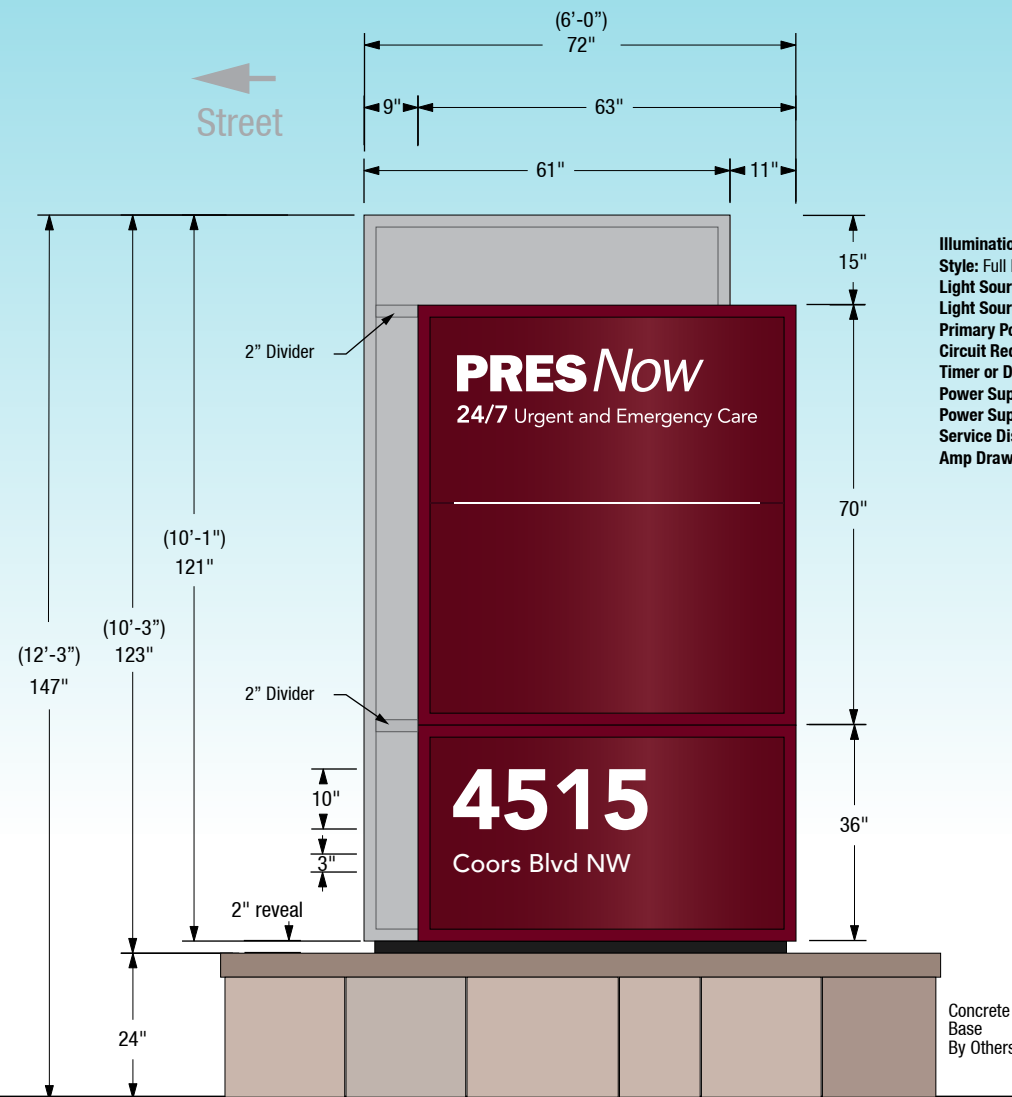
<p>CONTACT Albuquerque / Phoenix P 505.888.2901 ext 104 F 505.888.2902 csbsigns.com</p>	<p>DRAWN BY Johnathan Sylversmythe JohnathanS@csbsigns.com This artwork and design is owned by Century Sign Builders unless expressly stated. Use of this document or the design shown here without permission is prohibited.</p>	<p>CLIENT / PROJECT Client / GC: Presbyterian PRESNow Project: 20190313 PRESNow Clinic Exterior APPROVAL REQUIRED FOR PRODUCTION</p>	<p>SUBMITTAL DATE 00/00/0000 Sign Package Modification Date: June 13, 2019 12:42 PM</p>	<p>DRAWING REVISED DATE 00/00/0000</p>	<p>SHEET TITLE DRB Family of Exterior Sign Types</p>
--	--	--	--	---	---



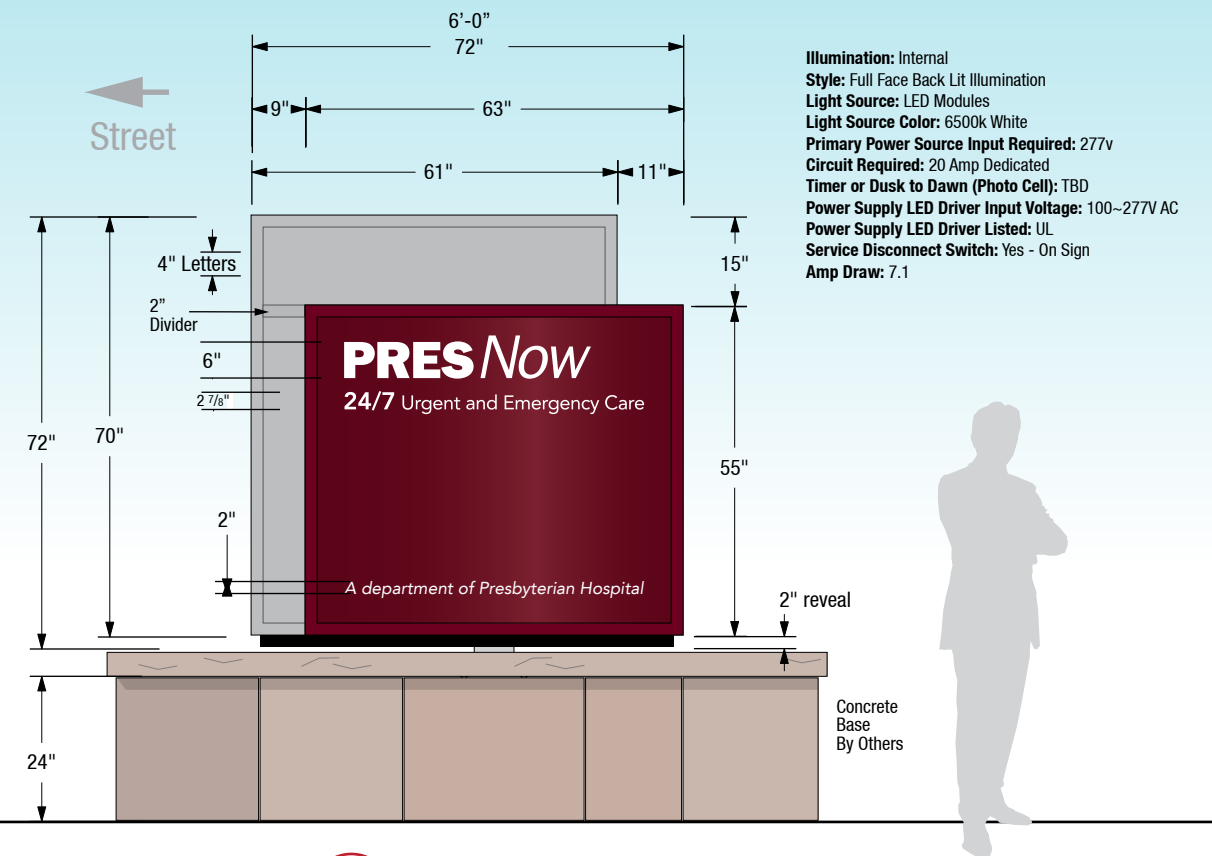
12

Exterior Sign Family

General Contractor: TBD
Project: 20190313 PRESNow Clinic Exterior
Developed By: Century Sign Builders



Illum. A.1 ELEVATION (Side A) Sign ID A.1
 SCALE 3/8" = 1'
 62 SQ. FT.

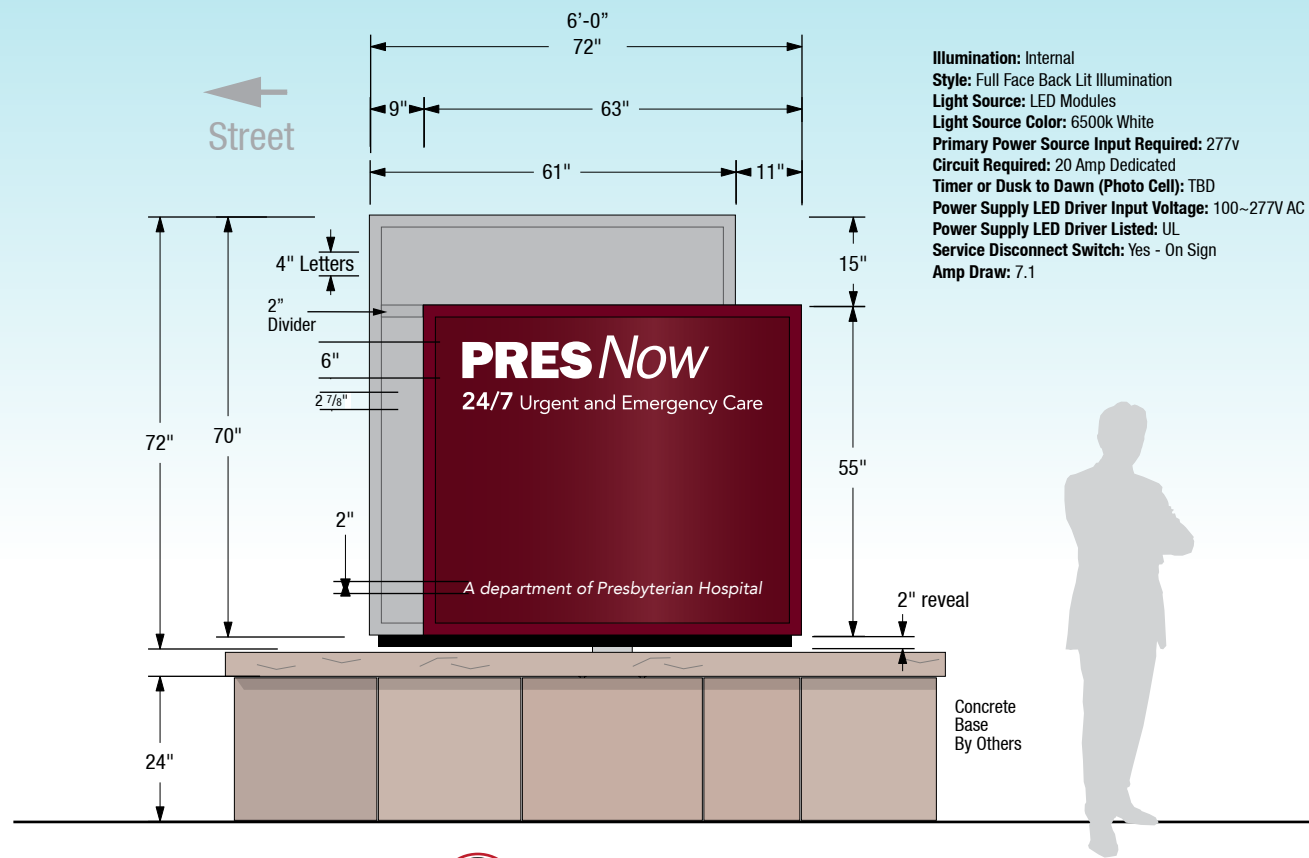


Illum. B.1 ELEVATION (Side A) Sign ID B1.1
 SCALE 3/8" = 1'
 36 SQ. FT.

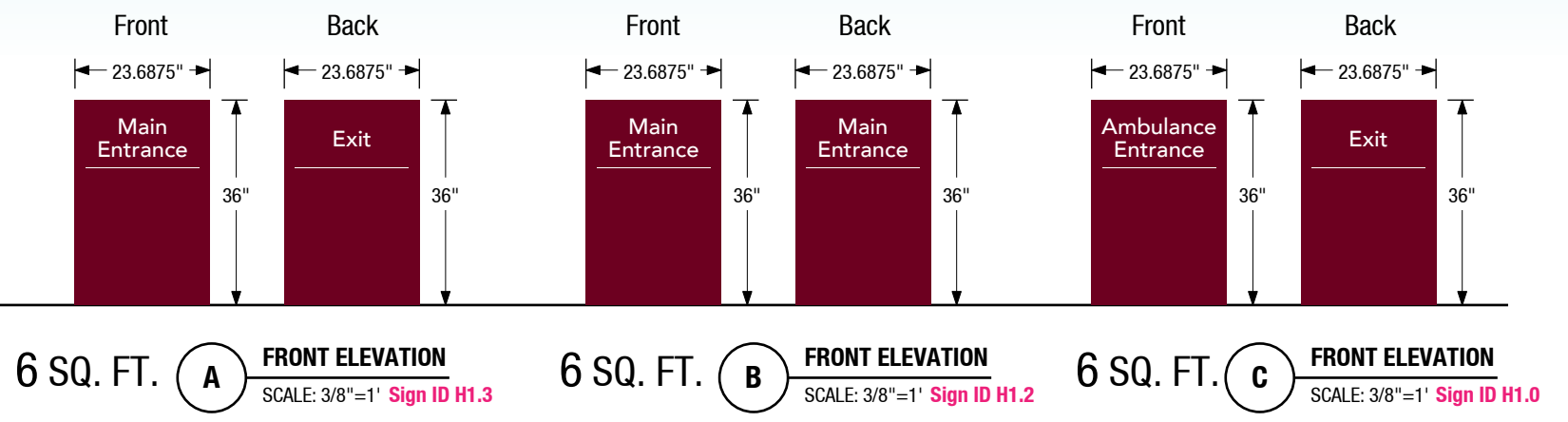
DRAWING Q:\Presbyterian\4515 Coors - PRESNow Clinic\20190313 PRESNow Clinic Exterior\Renderings, Submittals & PDFs\Submittals\Design Drawings Linked In InDesign Submittal Package\Sign Family.ai
 PACKAGE Q:\Presbyterian\4515 Coors - PRESNow Clinic\20190313 PRESNow Clinic Exterior\Renderings, Submittals & PDFs\Submittals\20190315 PRESNow 4515 Exterior Sign Submittal

CONTACT	DRAWN BY	CLIENT / PROJECT	SUBMITTAL DATE	DRAWING REVISED DATE	SHEET TITLE	SHEET
Albuquerque / Phoenix P 505.888.2901 ext 104 F 505.888.2902 csbsigns.com	Johnathan Sylversmythe JohnathanS@csbsigns.com This artwork and design is owned by Century Sign Builders unless expressly stated. Use of this document or the design shown here without permission is prohibited.	Client / GC: Presbyterian PRESNow Project: 20190313 PRESNow Clinic Exterior APPROVAL REQUIRED FOR PRODUCTION	00/00/0000 Sign Package Modification Date: June 13, 2019 12:42 PM	06/25/2018	Sign Family A.1 & B.1	13
		SIGNATURE / DATE				





Illumination: Internal
Style: Full Face Back Lit Illumination
Light Source: LED Modules
Light Source Color: 6500k White
Primary Power Source Input Required: 277v
Circuit Required: 20 Amp Dedicated
Timer or Dusk to Dawn (Photo Cell): TBD
Power Supply LED Driver Input Voltage: 100-277V AC
Power Supply LED Driver Listed: UL
Service Disconnect Switch: Yes - On Sign
Amp Draw: 7.1



Illum. B.1 ELEVATION (Side A) Sign ID B1.2
 SCALE: 3/8" = 1'
36 SQ. FT.

6 SQ. FT. A FRONT ELEVATION
 SCALE: 3/8" = 1' Sign ID H1.3

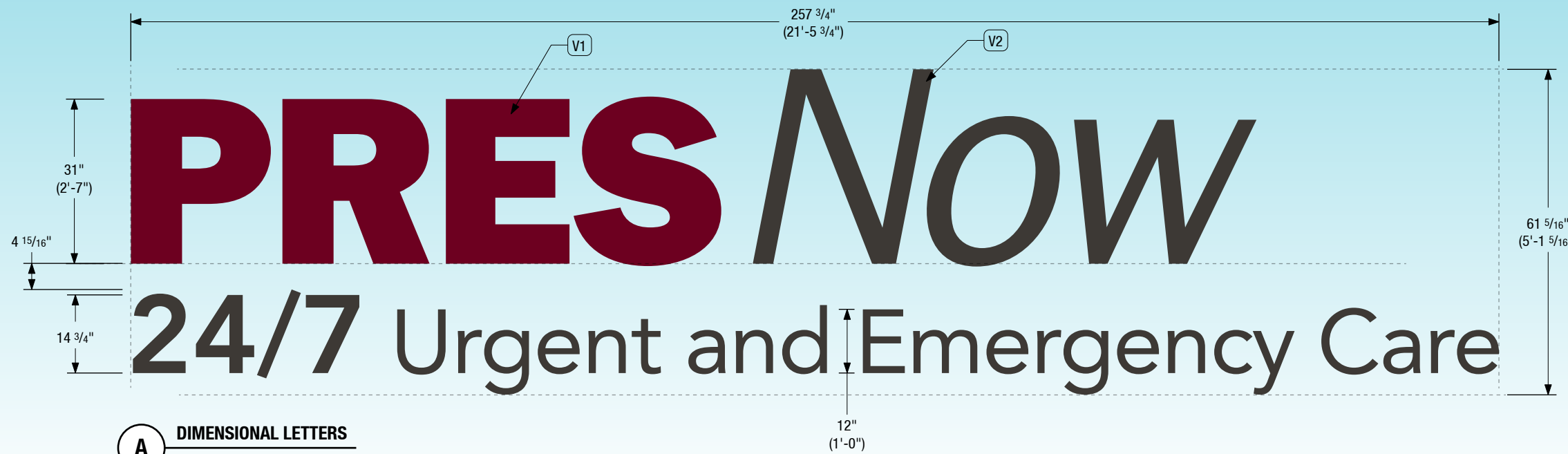
6 SQ. FT. B FRONT ELEVATION
 SCALE: 3/8" = 1' Sign ID H1.2

6 SQ. FT. C FRONT ELEVATION
 SCALE: 3/8" = 1' Sign ID H1.0

PACKAGE Q:\Presbyterian\4515 Coors - PRESNow Clinic\20190313 PRESNow Clinic Exterior\Renderings, Submittals & PDFs\Submittals\20190315 PRESNow 4515 Exterior Sign Submittal

CONTACT	DRAWN BY	CLIENT / PROJECT	SUBMITTAL DATE	DRAWING REVISED DATE	SHEET TITLE	SHEET
Albuquerque / Phoenix P 505.888.2901 ext 104 F 505.888.2902 csbsigns.com	Johnathan Sylversmythe JohnathanS@csbsigns.com <small>This artwork and design is owned by Century Sign Builders unless expressly stated. Use of this document or the design shown here without permission is prohibited.</small>	Client / GC: Presbyterian PRESNow Project: 20190313 PRESNow Clinic Exterior APPROVAL REQUIRED FOR PRODUCTION	00/00/0000 <small>Sign Package Modification Date: June 13, 2019 12:42 PM</small>	00/00/0000	Sign Family B.1 & H.1	14





Illumination: Internal
Style: Front Illuminated Lit Letters
Light Source: LED Modules
Light Source Color: 6500k White
Primary Power Source Input Required: 277v
Circuit Required: 20 Amp Dedicated
Timer or Dusk to Dawn (Photo Cell): TBD
Power Supply LED Driver Input Voltage: 100~277V AC
Power Supply LED Driver Listed: UL
Service Disconnect Switch: Yes - On Sign
Amp Draw: TBD

A DIMENSIONAL LETTERS
SCALE: 1:25

Illum. **F.24** CHANNEL LETTERS
 SCALE: 1:50 QUANTITY: 2 Sign ID. F1.0
 Sign ID. F1.2
 111 SQ. FT.

PACKAGE Q:\Presbyterian\4515 Coors - PRENow Clinic\20190313 PRENow Clinic Exterior\Renderings, Submittals & PDFs\Submittals\20190315 PRENow 4515 Exterior Sign Submittal

CONTACT	DRAWN BY	CLIENT / PROJECT	SUBMITTAL DATE	DRAWING REVISED DATE	SHEET TITLE	SHEET
Albuquerque / Phoenix P 505.888.2901 ext 104 F 505.888.2902 csbsigns.com	Johnathan Sylversmythe JohnathanS@csbsigns.com <small>This artwork and design is owned by Century Sign Builders unless expressly stated. Use of this document or the design shown here without permission is prohibited.</small>	Client / GC: Presbyterian PRENow Project: 20190313 PRENow Clinic Exterior APPROVAL REQUIRED FOR PRODUCTION	00/00/0000 <small>Sign Package Modification Date: June 13, 2019 12:42 PM</small>	00/00/0000	Sign Family Illuminated Dimensional Letters	15
		SIGNATURE / DATE				



16

Exterior Sign Type A.1

General Contractor: TBD
Project: TBD
Developed By: Century Sign Builders

Sign Type A.1

1. TOP CABINET - DOUBLE SIDED CURVED FACE

Size: 70" H x 63" W x 20" D
 Fabrication: Aluminum Frame
 Returns: 13" deep .125" Aluminum
 Retainers: 2" Flush with returns with countersunk screws
 Face: 3/16" Transl White Polycarbonate with Vinyl Graphics
 Paint: Matthews Paint System to Match 3M Transl Vinyl #3630-49 Burgundy
 Clear Coat: None
 Sheen: Satin
 Illumination: Internal with White LED

2. BOTTOM CABINET - DOUBLE SIDED CURVED FACE

Size: 36" H x 63" W x 20" D
 Fabrication: Aluminum Frame
 Returns: 13" deep .125" Aluminum
 Retainers: 2" Flush with returns with countersunk screws
 Face: 3/16" Transl White Polycarbonate
 Paint: Matthews Paint System to Match 3M Transl Vinyl #3630-49 Burgundy
 Clear Coat: None
 Sheen: Satin
 Illumination: Internal with White LED

3. ACCENT ELEMENT

Fabrication: Aluminum Frame
 Returns: 8" deep
 Retainers: 2"
 Dividers Bars: 2"
 Face & Returns: 3/16" Transl White Polycarb
 Paint: Matthews Paint System to Match 3M Transl Vinyl#3630-51 Silver Gray
 Clear Coat: None
 Sheen: Satin
 Illumination: Internal with White LED

4. GRAPHIC PANELS

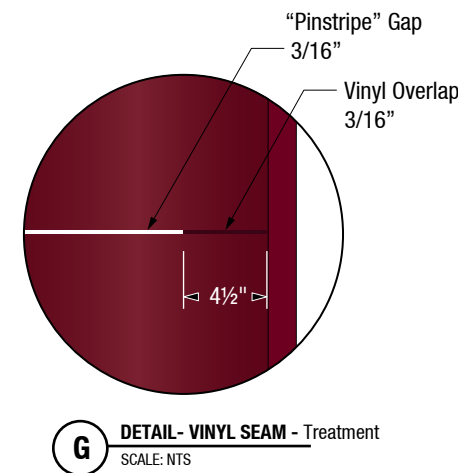
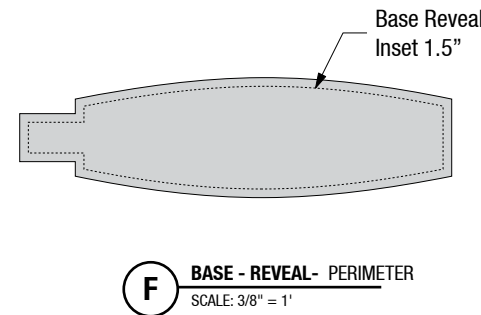
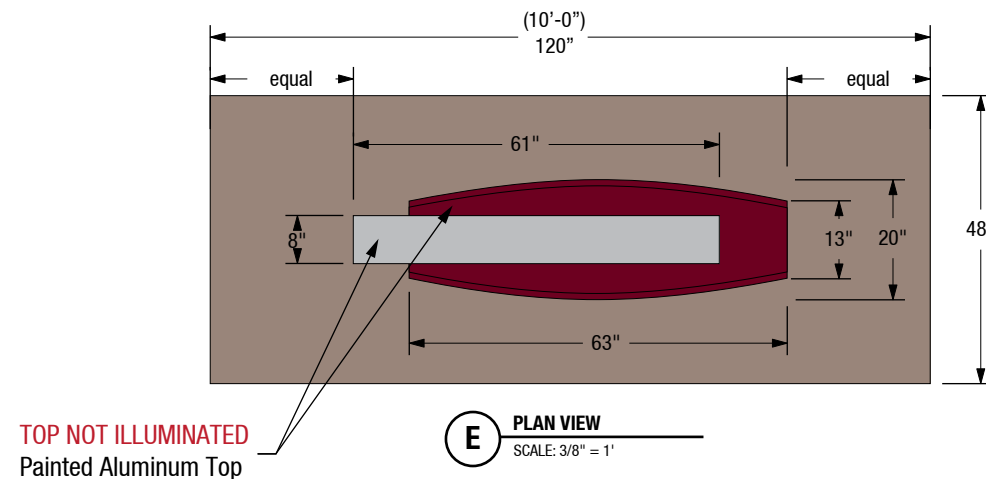
Substrate: 3/16" Transl Polycarbonate
 Vinyl Graphics: 3M Translucent Vinyl
 Colors: 3M#3630-49 Burgundy & 3M#3630-51 Silver Gray
 Burgundy Logo with (1/16" Trap)
 Applied First Surface
 Reverse weeded letters
 Font: Avenir LT 65 Medium, Regular & Bold
 3" Cap Height = 87' Visibility
 6" Cap Height = 174' Visibility
 10" Cap Height = 290' Visibility

Paint Colors

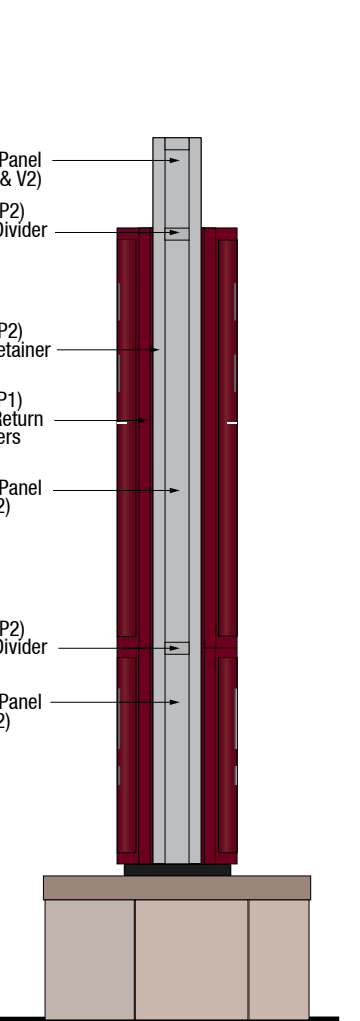
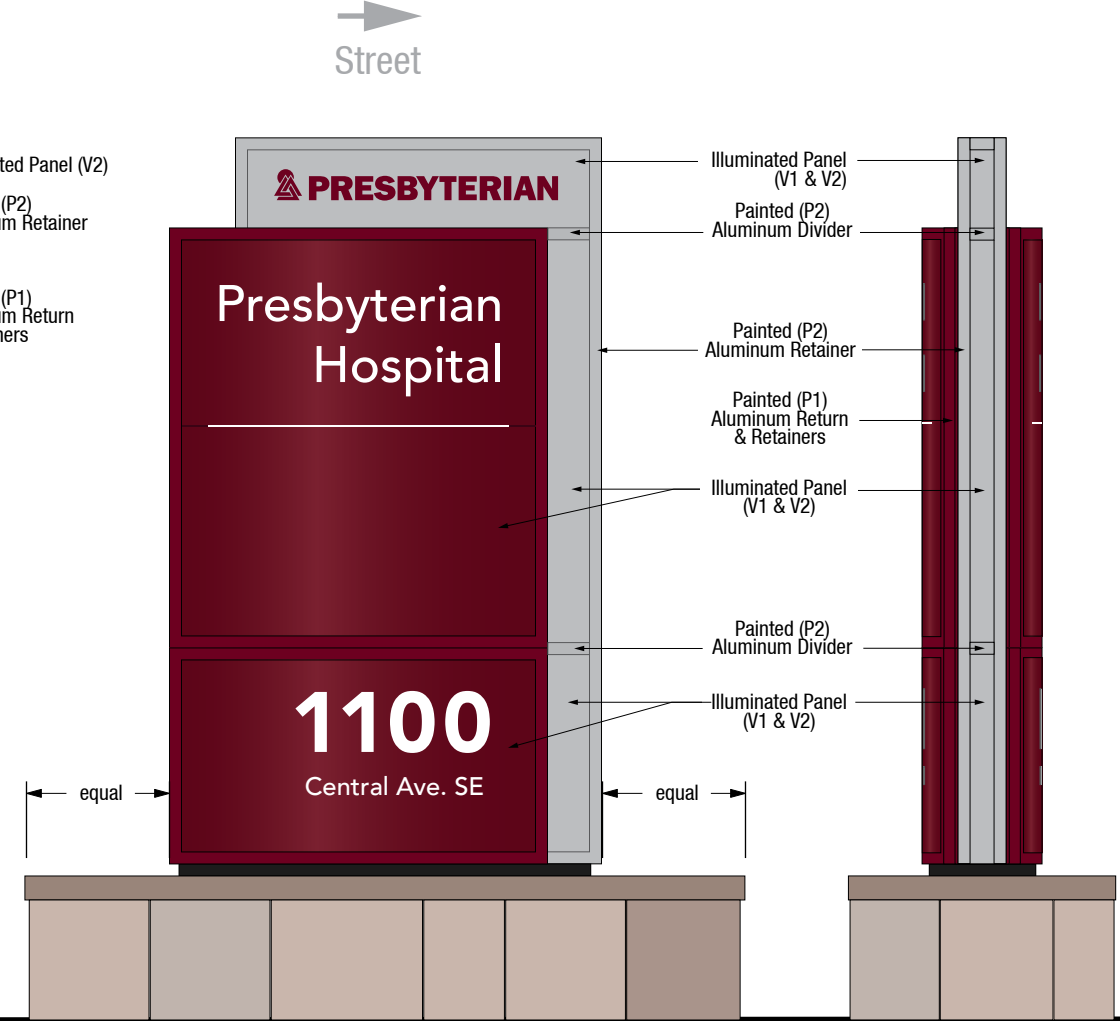
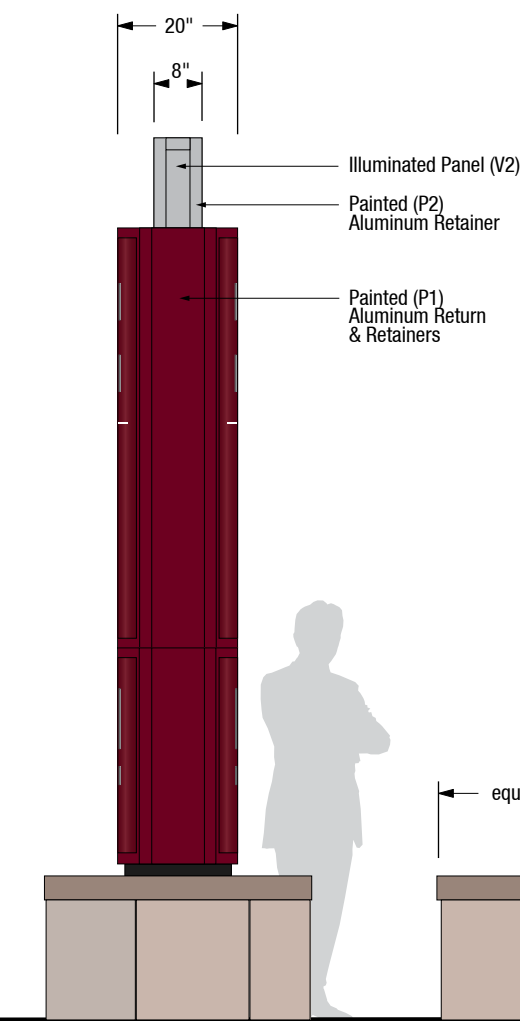
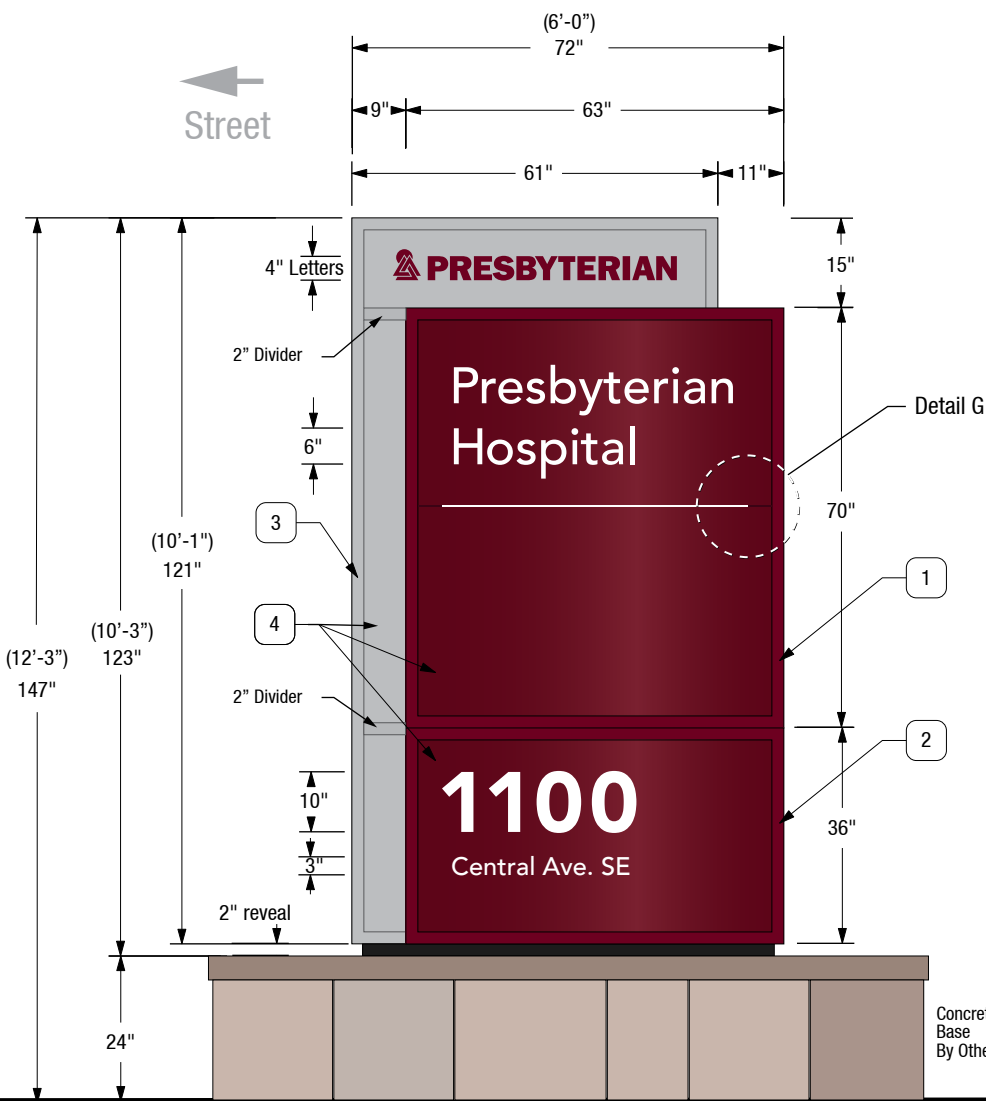
	P1	Color: Matthews Paint System Paint to match 3M Translucent Vinyl #3630-49 Burgundy
	P2	Color: Matthews Paint System Paint to match 3M Translucent Vinyl #3630-51 Silver Gray
	P3	Color: Matthews Paint System Black

Vinyl Colors

	V1	Color: 3M Translucent Vinyl #3630-49 Burgundy applied to substrate.
	V2	Color: 3M Translucent Vinyl #3630-51 Silver Gray applied to substrate.



TOP NOT ILLUMINATED
Painted Aluminum Top



62 SQ. FT.

A ELEVATION (Side A)
SCALE: 3/8" = 1'

B END VIEW (Faces Building)
SCALE: 3/8" = 1'

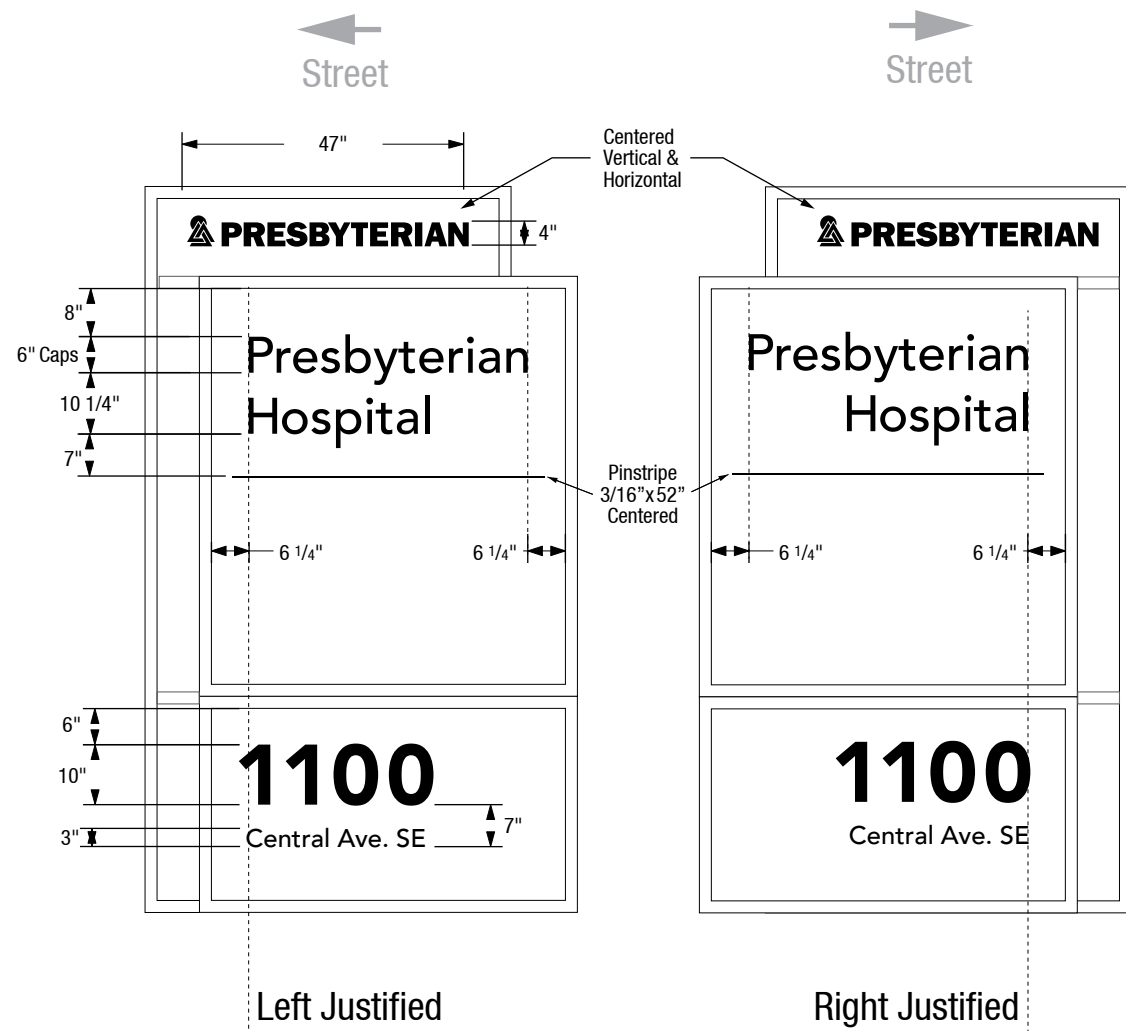
C ELEVATION (Side B)
SCALE: 3/8" = 1'

D END VIEW (Faces Street)
SCALE: 3/8" = 1'

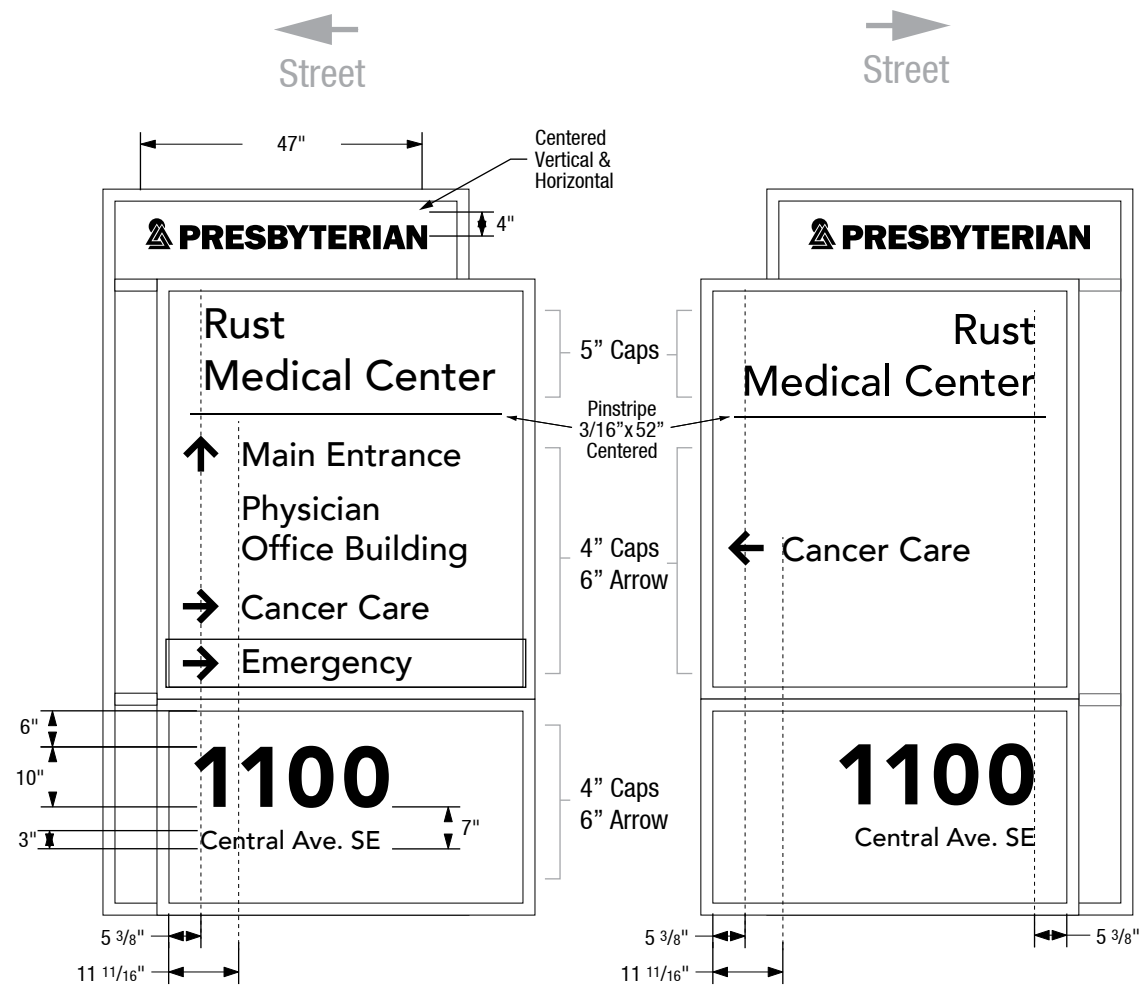
PACKAGE Q:\Presbyterian\4515 Coors - PRESNow Clinic\20190313 PRESNow Clinic Exterior\Renderings, Submittals & PDFs\Submittals\20190315 PRESNow 4515 Exterior Sign Submittal

CONTACT	DRAWN BY	CLIENT / PROJECT	SUBMITTAL DATE	DRAWING REVISED DATE	SHEET TITLE	SHEET
Albuquerque / Phoenix P 505.888.2901 ext 104 F 505.888.2902 csbsigns.com	Johnathan Sylversmythe JohnathanS@csbsigns.com <small>This artwork and design is owned by Century Sign Builders unless expressly stated. Use of this document or the design shown here without permission is prohibited.</small>	Client / GC: Presbyterian PRESNow Project: 20190313 PRESNow Clinic Exterior	00/00/0000 Sign Package Modification Date: June 13, 2019 12:42 PM	00/00/0000	Design and Specification	17
APPROVAL REQUIRED FOR PRODUCTION		SIGNATURE / DATE				





A BUILDING MONUMENT
SCALE: 3/8" = 1'



B MONUMENT / WITH DIRECTIONAL INFORMATION
SCALE: 3/8" = 1'

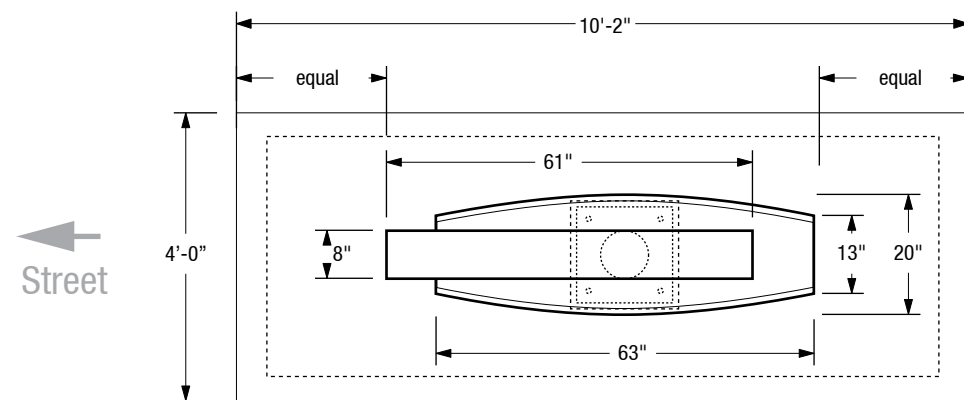
See design intent rendering for complete sign specifications.

PACKAGE Q:\Presbyterian\4515 Coors - PRENow Clinic\20190313 PRENow Clinic Exterior\Renderings, Submittals & PDFs\Submittals\20190315 PRENow 4515 Exterior Sign Submittal

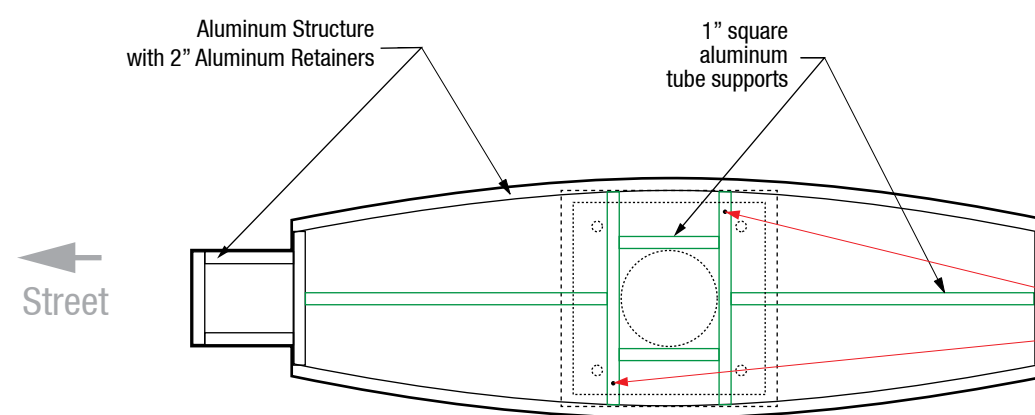


CONTACT	DRAWN BY	CLIENT / PROJECT	SUBMITTAL DATE	DRAWING REVISED DATE	SHEET TITLE	SHEET
Albuquerque / Phoenix P 505.888.2901 ext 104 F 505.888.2902 csb signs.com	Johnathan Sylversmythe JohnathanS@csb signs.com <small>This artwork and design is owned by Century Sign Builders unless expressly stated. Use of this document or the design shown here without permission is prohibited.</small>	Client / GC: Presbyterian PRENow Project: 20190313 PRENow Clinic Exterior APPROVAL REQUIRED FOR PRODUCTION	00/00/0000 <small>Sign Package Modification Date: June 13, 2019 12:42 PM</small>	00/00/0000	Graphic Layout Standard	18

Sign Type A.1

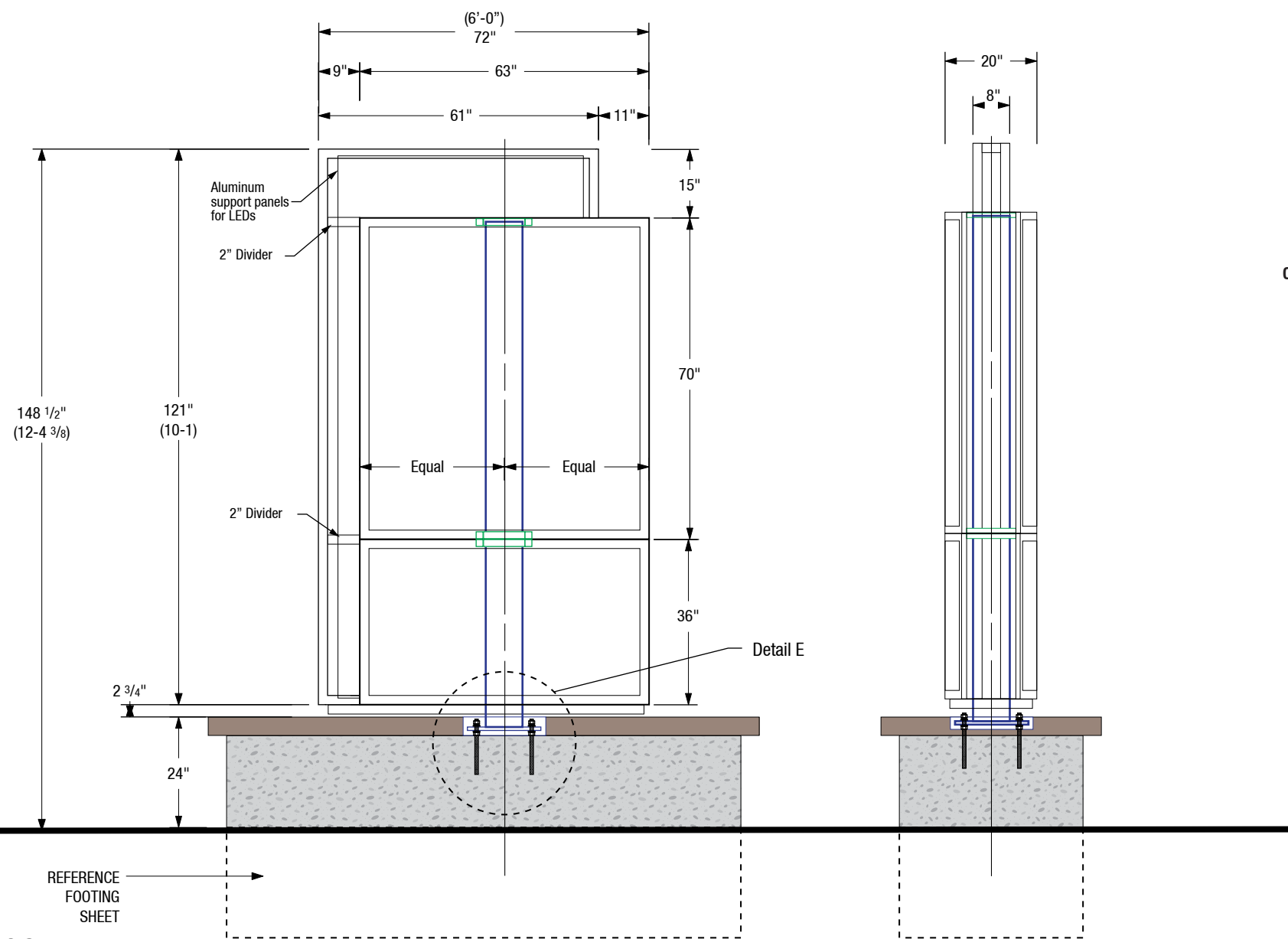


C PLAN VIEW
SCALE: 3/8" = 1'



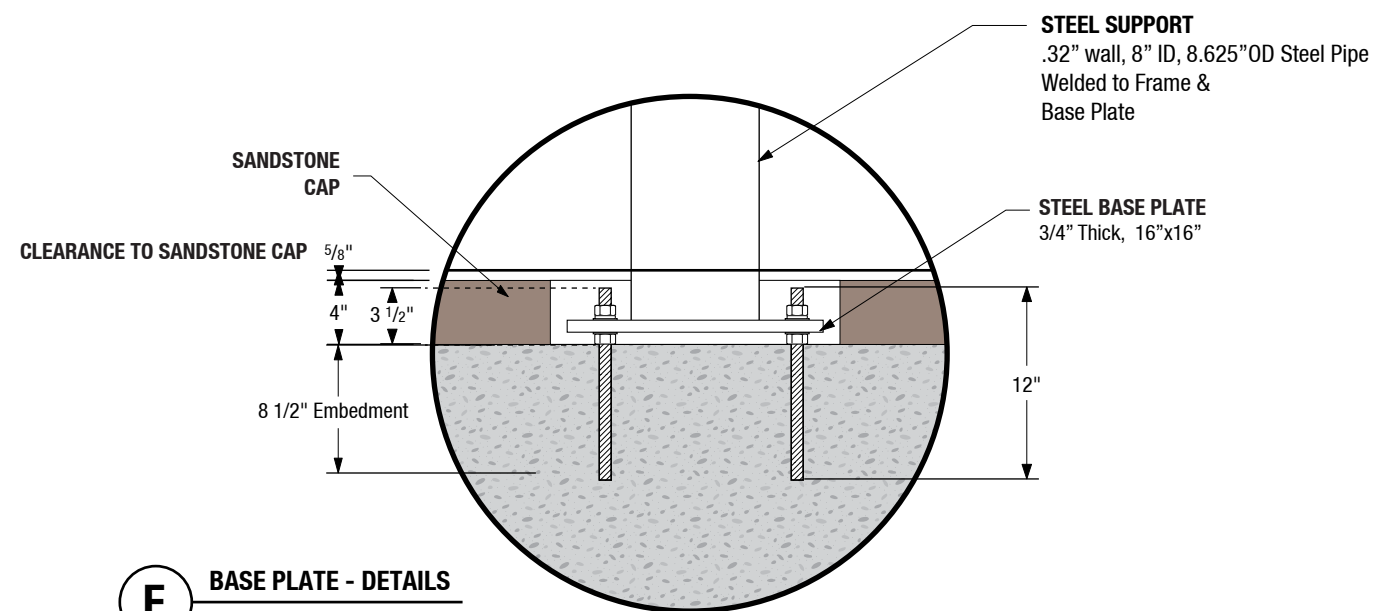
D PLAN SECTION
SCALE: 3/4" = 1'

Request (2) 3/8" closed Eye bolts to be mounted at these locations on top of sign for lifting and transporting.

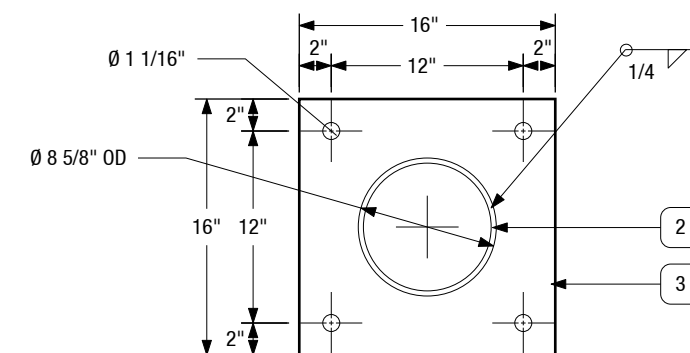


A ELEVATION (Side A)
SCALE: 3/8" = 1'

B END VIEW (Faces Building)
SCALE: 3/8" = 1'



E BASE PLATE - DETAILS
SCALE: 1" = 1'-0"



F BASE PLATE - DETAILS
SCALE: 1" = 1'-0"

62 SQ. FT.

PACKAGE Q:\Presbyterian\4515 Coors - PRESNow Clinic\20190313 PRESNow Clinic Exterior\Renderings, Submittals & PDFs\Submittals\20190315 PRESNow 4515 Exterior Sign Submittal



CONTACT
Albuquerque / Phoenix
P 505.888.2901 ext 104
F 505.888.2902
csbsigns.com

DRAWN BY
Johnathan Sylversmythe
JohnathanS@csbsigns.com
This artwork and design is owned by Century Sign Builders unless expressly stated. Use of this document or the design shown here without permission is prohibited.

CLIENT / PROJECT
Client / GC: Presbyterian PRESNow
Project: 20190313 PRESNow Clinic Exterior

APPROVAL REQUIRED FOR PRODUCTION
SIGNATURE / DATE

SUBMITTAL DATE
00/00/0000
Sign Package Modification Date: June 13, 2019 12:42 PM

DRAWING REVISED DATE
00/00/0000

SHEET TITLE
Construction

SHEET

19

Sign Type A.1

STANDARD MOUNTING SPECIFICATIONS

1. SIGN TYPE A.1

Approximate Weight: **TBD**

2. SIGN SUPPORT POLE

Quantity: 1
 Material: 8" Steel Pipe (8.625" OD)
 Fabrication: Welded to Frame & Base Plate
 Length: Total Length Of Main Cabinet
 Steel Tube Wall Thickness: .32"
 Extended Outside Sign: 2.75" (3.5" w/Plate)

3. BASE PLATE

Quantity: 1
 Material: 3/4" Steel Plate
 Fabrication: Welded to Support Pipe
 Size: 16"x16", Plate Thickness 3/4"

4. ANCHOR

Quantity: 4
 Type/Size: All Thread Rod Size 3/4"-16
 Material: 304 Stainless Steel
 Embedment: 8.5"
 Product: Hilti HAS-R 3/4" X 12" SS304
 Product No: 385470, **No Substitutes**

5. NUTS

Quantity: 8 (2 Nuts Per Anchor)
 Type/Size: Hex Nut-Standard 3/4"-16
 Material: 316 Stainless Steel
 Product: Hilti
 Product No: 411778 or Equal

6. WASHERS / SPLIT WASHERS

Quantity: 8(WASHER) 4(SPLIT WASHER)
 Dia: OD 1.5", ID .812"(WASHER)
 OD 1.265, ID 0.766(SPLIT WASHER)
 Material: 316 Stainless Steel
 Product: Hilti(WASHER)
 McMaster-Carr(SPLIT WASHER)
 Product No: 411783 or Equal(WASHER)
 92147A036 or Equal(S-WASHER)

7. ADHESIVE

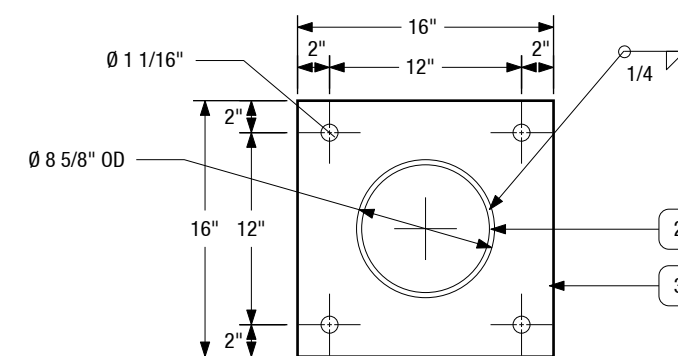
Quantity: TBD
 Product: Hilti Adhesive HIT-HY 200-A
 Product No: 2022791
No Substitutes - Refer to Manufacture Specifications, Installation Instructions, and Curing Time

8. SANDSTONE CLADDING

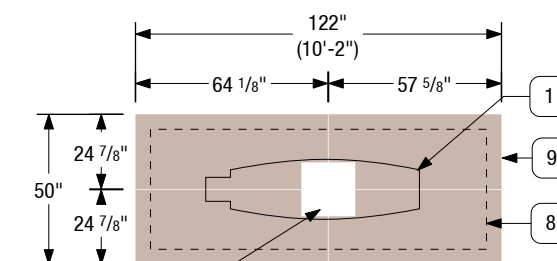
Provided by Others
 Refer to Other Vendor Color Submittal
 Gap Between Each Stone: 1/4" Max
 Face Size Height: 23.75" Min Height
 Face Size Width: Varies (to Match Presbyterian Existing Exterior Columns and Color Combo)
 Face Thickness: 2" Min Height
 Cap Thickness: 4" Min Height (Split Face)
 Attachment: SS Split Tail Anchor or EQ

9. CAST IN PLACE CONCRETE BASE/FOOTER

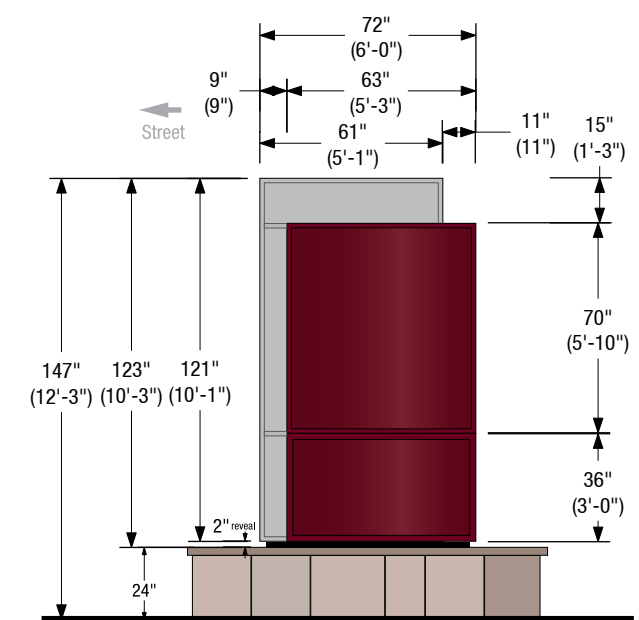
Required PSI: Min 3000 PSI
Provided by Others



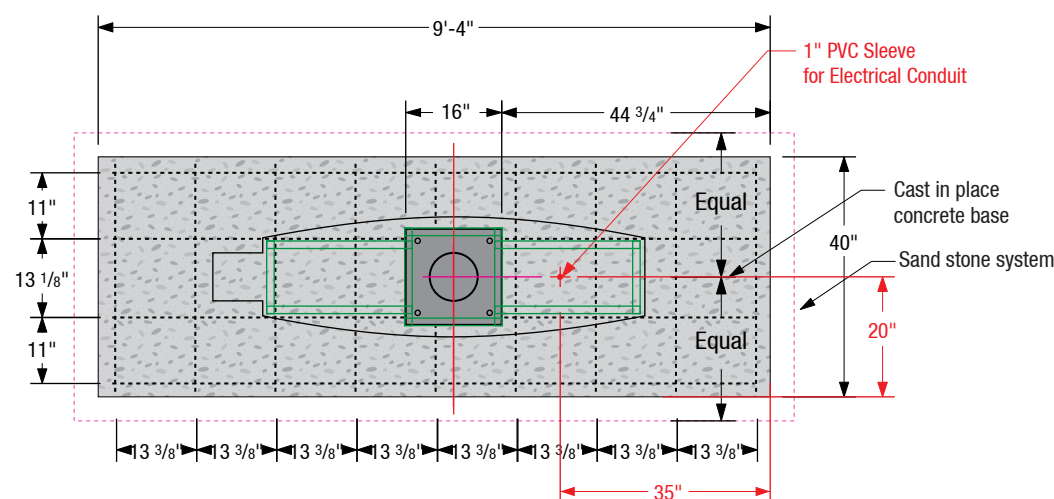
E BASE PLATE DETAIL
 SCALE: 1"=1'



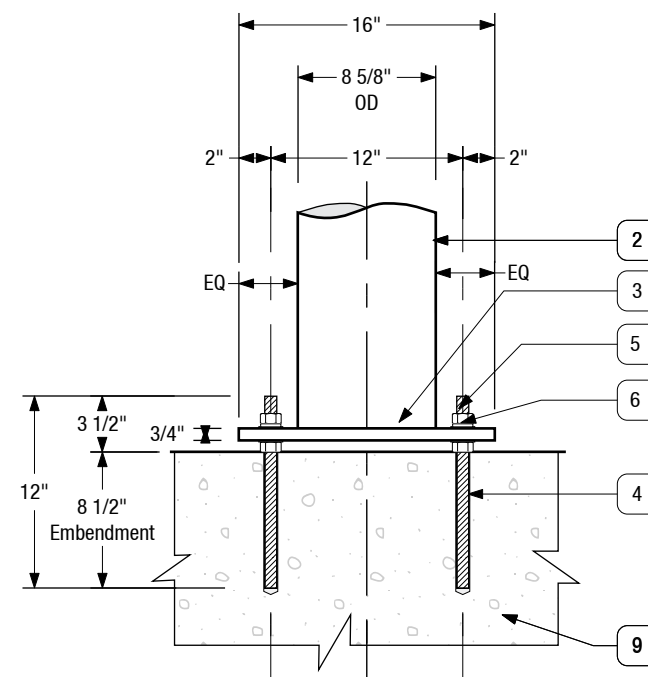
F PLAN VIEW - SANDSTONE CAP
 SCALE: 3/16"=1'



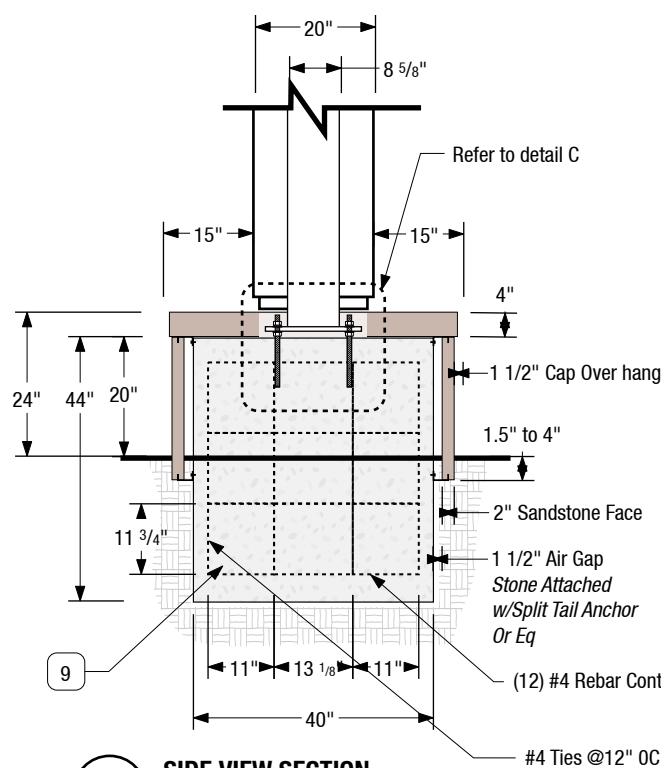
G OVERALL DIMENSIONS
 SCALE: 3/16"=1'



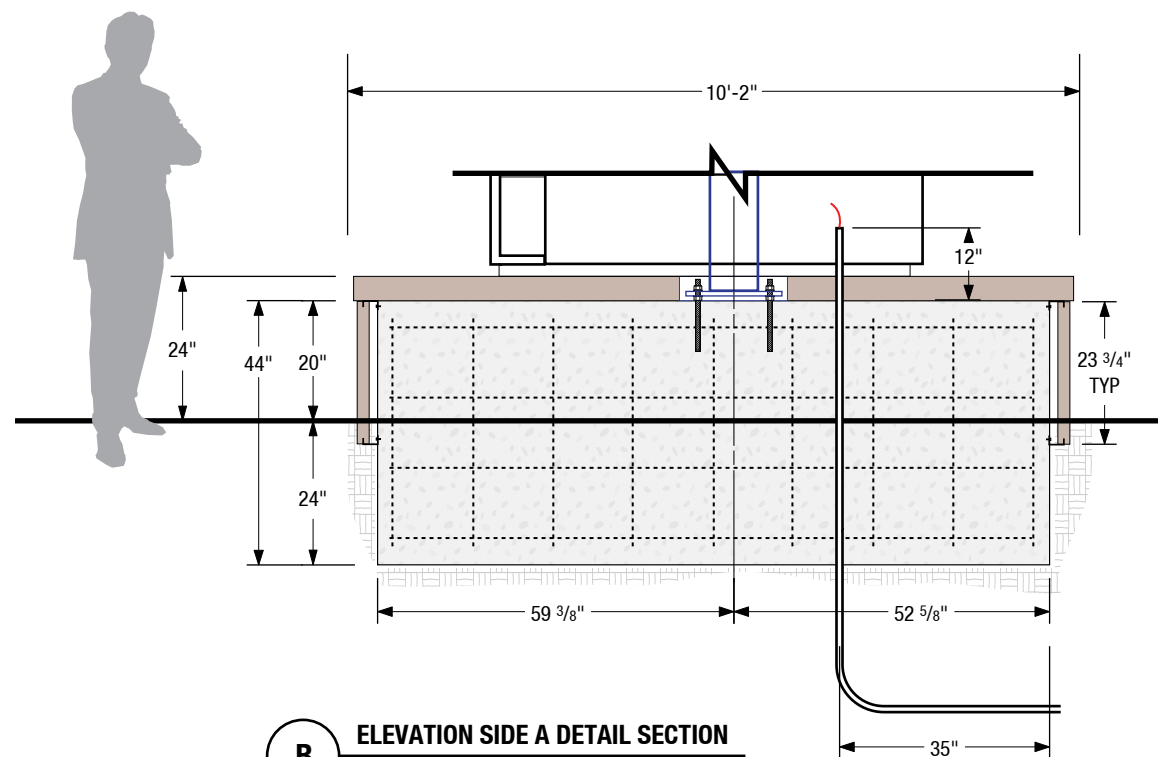
A PLAN VIEW - CONCRETE FOOTING
 SCALE: 3/8"=1'



C ANCHOR DETAIL SECTION
 SCALE: 1"=1'



D SIDE VIEW SECTION
 SCALE: 3/8"=1'



B ELEVATION SIDE A DETAIL SECTION
 SCALE: 3/8"=1'

PACKAGE Q:\Presbyterian\4515 Coors - PRESNow Clinic\20190313 PRESNow Clinic Exterior\Renderings, Submittals & PDFs\Submittals\20190315 PRESNow 4515 Exterior Sign Submittal

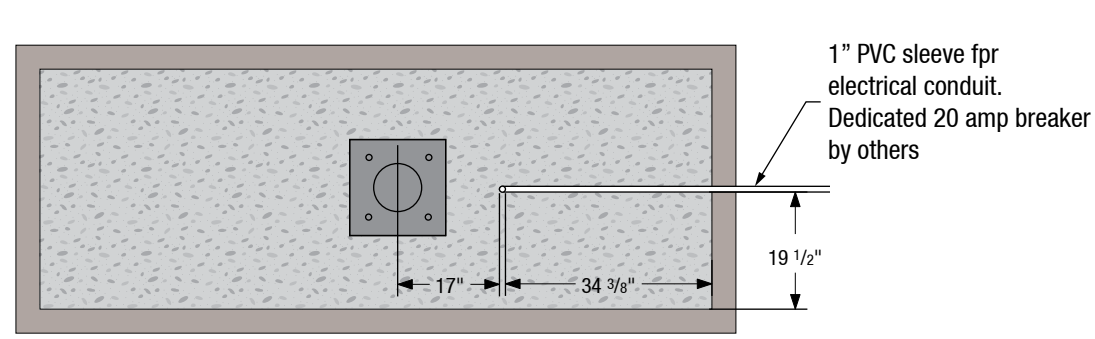
CONTACT	DRAWN BY	CLIENT / PROJECT	SUBMITTAL DATE	DRAWING REVISED DATE	SHEET TITLE	SHEET
Albuquerque / Phoenix P 505.888.2901 ext 104 F 505.888.2902 csbsigns.com	Johnathan Sylversmythe JohnathanS@csbsigns.com This artwork and design is owned by Century Sign Builders unless expressly stated. Use of this document or the design shown here without permission is prohibited.	Client / GC: Presbyterian PRESNow Project: 20190313 PRESNow Clinic Exterior	00/00/0000 Sign Package Modification Date: June 13, 2019 12:42 PM	00/00/0000	Footing Specifications	20

APPROVAL REQUIRED FOR PRODUCTION
 SIGNATURE / DATE

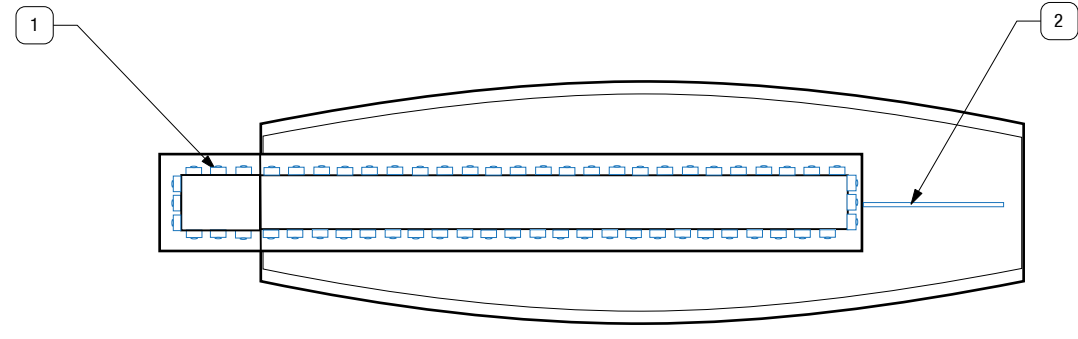


Sign Type A.1

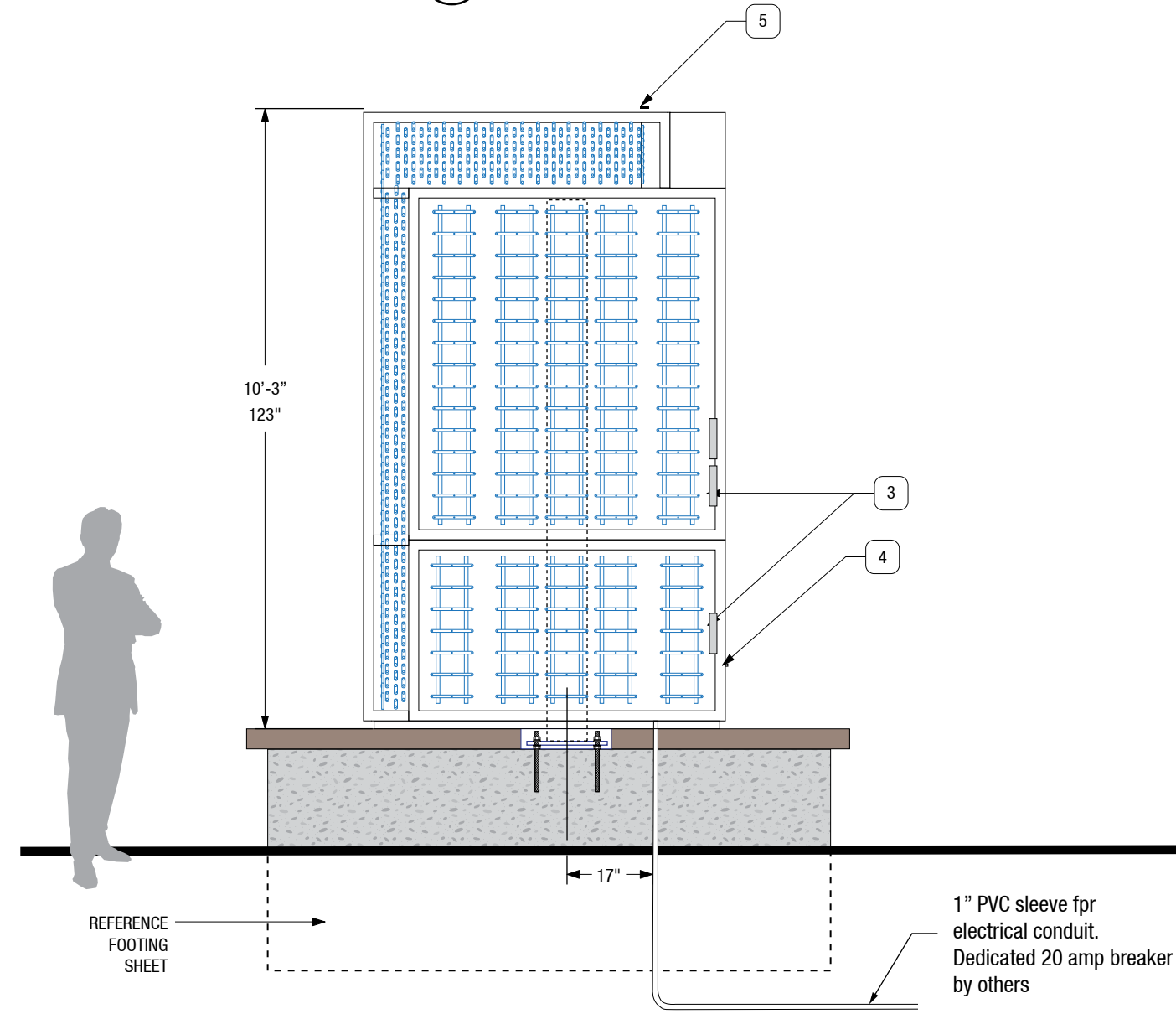
- 1. WHITE LED
- 2. WHITE LED
Sloan - SignBOX white LED - Double Faced
- 3. Power Supply - as needed
France- Dual Voltage LED 1260 EPS
- 4. SWITCH
- 5. Photo Cell



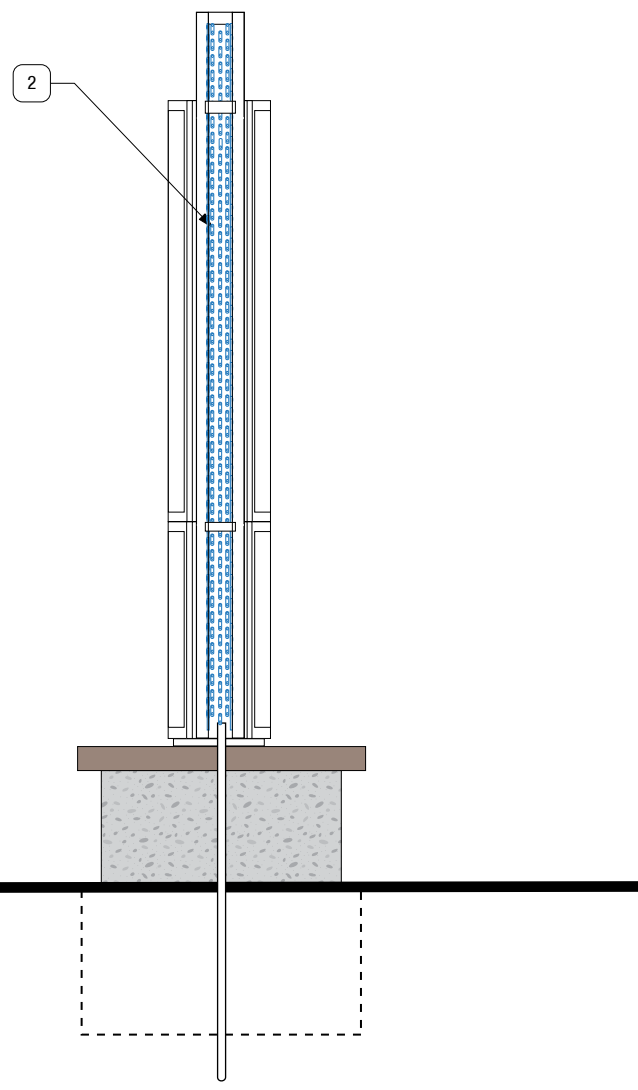
C PLAN VIEW
SCALE: 3/8" = 1'



C PLAN SECTION
SCALE: 3/4" = 1'



A ELEVATION (Side A)
SCALE: 3/8" = 1'



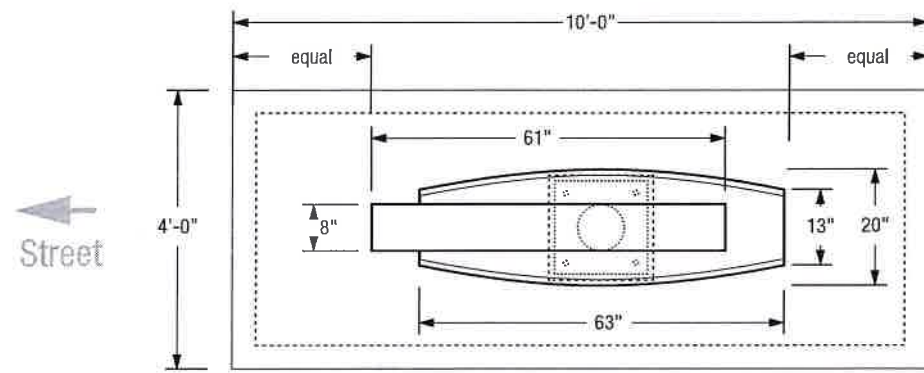
B END VIEW (Faces Street)
SCALE: 3/8" = 1'

PACKAGE Q:\Presbyterian\4515 Coors - PRENow Clinic\20190313 PRENow Clinic Exterior\Renderings, Submittals & PDFs\Submittals\20190315 PRENow 4515 Exterior Sign Submittal

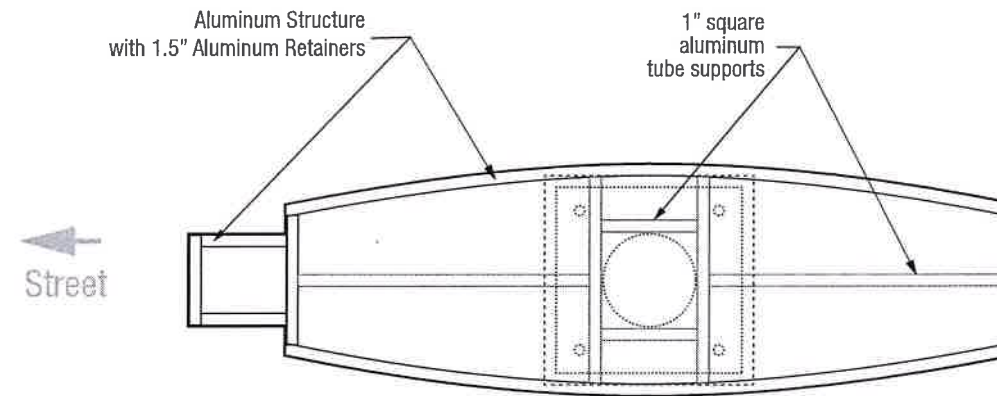
CONTACT	DRAWN BY	CLIENT / PROJECT	SUBMITTAL DATE	DRAWING REVISED DATE	SHEET TITLE	SHEET
Albuquerque / Phoenix P 505.888.2901 ext 104 F 505.888.2902 csbsigns.com	Johnathan Sylversmythe JohnathanS@csbsigns.com <small>This artwork and design is owned by Century Sign Builders unless expressly stated. Use of this document or the design shown here without permission is prohibited.</small>	Client / GC: Presbyterian PRENow Project: 20190313 PRENow Clinic Exterior APPROVAL REQUIRED FOR PRODUCTION	00/00/0000 <small>Sign Package Modification Date: June 13, 2019 12:42 PM</small>	00/00/0000	Electrical	21



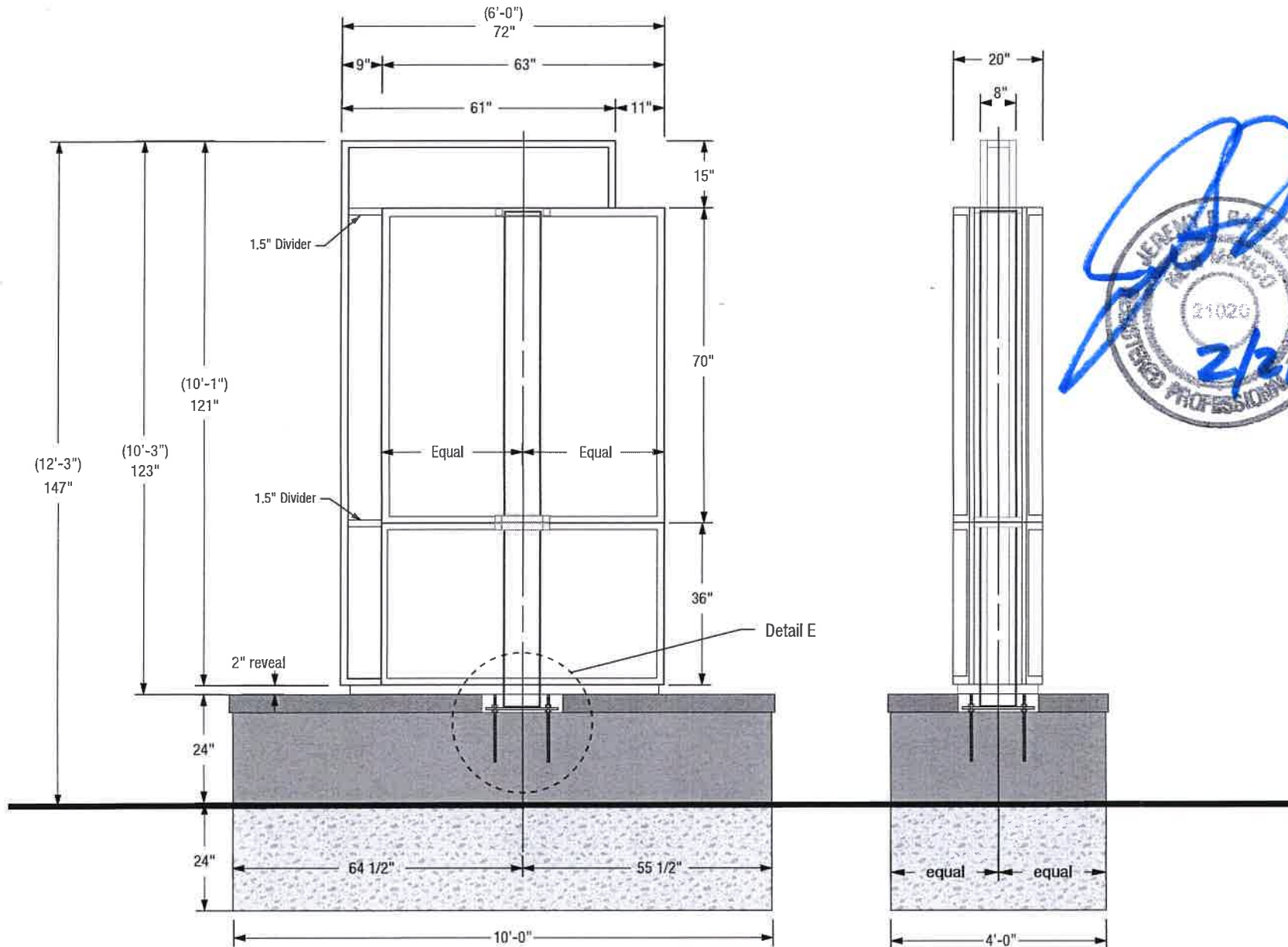
Sign Type A.1



C PLAN VIEW
SCALE: 3/8" = 1'

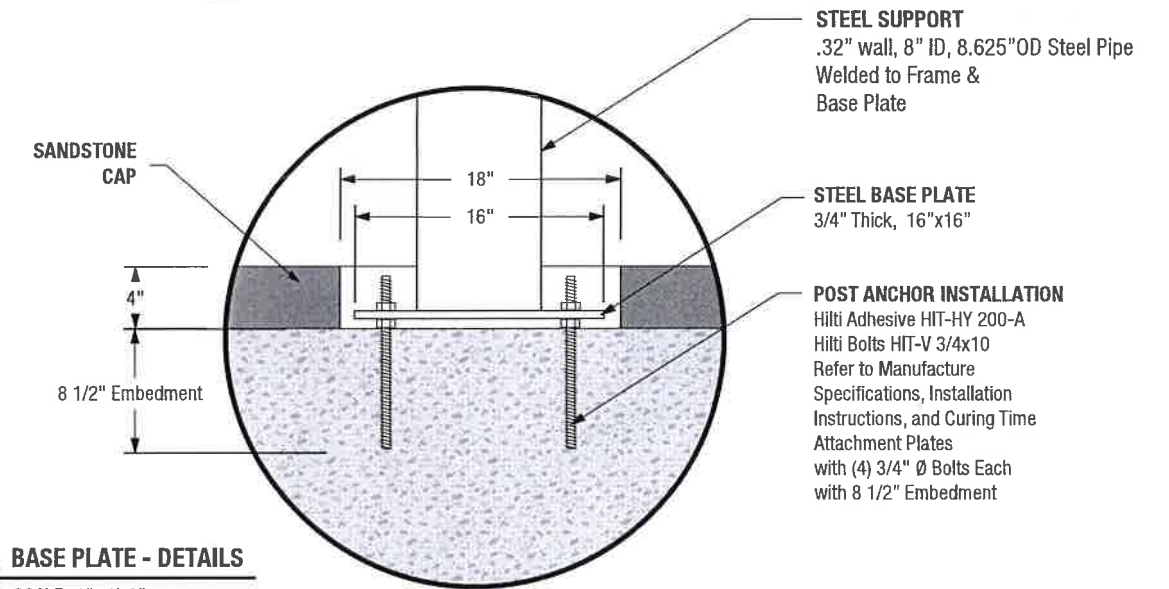


D PLAN SECTION
SCALE: 3/4" = 1'

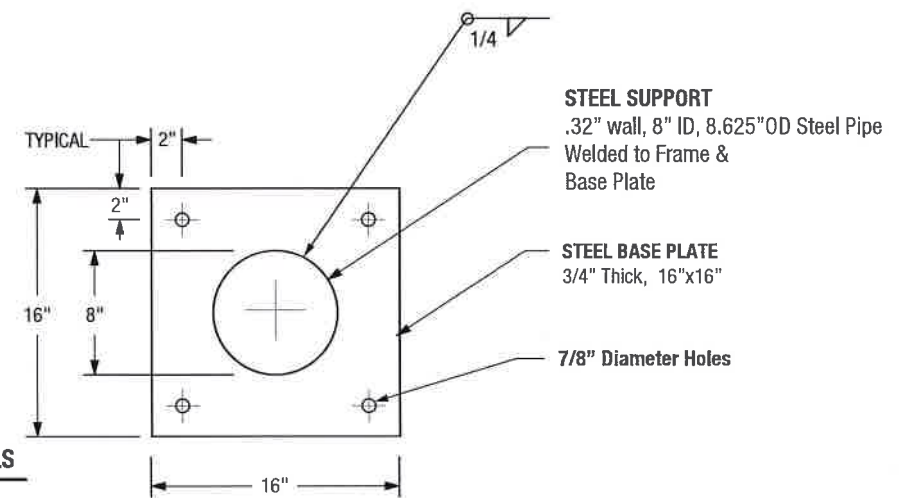


A ELEVATION (Side A)
SCALE: 3/8" = 1'

B END VIEW (Faces Building)
SCALE: " = 1'



E BASE PLATE - DETAILS
SCALE: 1" = 1'-0"



F BASE PLATE - DETAILS
SCALE: 1" = 1'-0"

62 SQ. FT.

PACKAGE Q:\Presbyterian\4515 Coors - PRESNow Clinic\20190313 PRESNow Clinic Exterior\Renderings, Submittals & PDFs\Submittals\20190315 PRESNow 4515 Exterior Sign Submittal



CONTACT
Albuquerque / Phoenix
P 505.888.2901 ext 104
F 505.888.2902
csbsigns.com

DRAWN BY
Johnathan Sylversmythe
JohnathanS@csbsigns.com

This artwork and design is owned by Century Sign Builders unless expressly stated. Use of this document or the design shown here without permission is prohibited.

CLIENT / PROJECT
Client / GC: Presbyterian PRESNow
Project: 20190313 PRESNow Clinic Exterior

APPROVAL REQUIRED FOR PRODUCTION

SIGNATURE / DATE

SUBMITTAL DATE
00/00/0000
Sign Package Modification Date: June 13, 2019 12:42 PM

DRAWING REVISED DATE
00/00/0000

SHEET TITLE
Engineer Stamp of A.1

SHEET

22

Sign Type A.1

1. TOP CABINET - DOUBLE SIDED CURVED FACE

Size: 70" H x 63" W x 20" D
 Fabrication: Aluminum Frame
 Returns: 13" deep .125" Aluminum
 Retainers: 2" Flush with returns
 with countersunk screws
 Face: 3/16" Transl White Polycarbonate
 with Vinyl Graphics
 Paint: Matthews Paint System
 to Match 3M Transl Vinyl #3630-49 Burgundy
 Clear Coat: None
 Sheen: Satin
 Illumination: Internal with White LED

2. BOTTOM CABINET - DOUBLE SIDED CURVED FACE

Size: 36" H x 63" W x 20" D
 Fabrication: Aluminum Frame
 Returns: 13" deep .125" Aluminum
 Retainers: 2" Flush with returns
 with countersunk screws
 Face: 3/16" Transl White Polycarbonate
 Paint: Matthews Paint System
 to Match 3M Transl Vinyl #3630-49 Burgundy
 Clear Coat: None
 Sheen: Satin
 Illumination: Internal with White LED




3. ACCENT ELEMENT

Fabrication: Aluminum Frame
 Returns: 8" deep
 Retainers: 2"
 Dividers Bars: 2"
 Face & Returns: 3/16" Transl White Polycarb
 Paint: Matthews Paint System
 to Match 3M Transl Vinyl#3630-51 Silver Gray
 Clear Coat: None
 Sheen: Satin
 Illumination: Internal with White LED



4. GRAPHIC PANELS

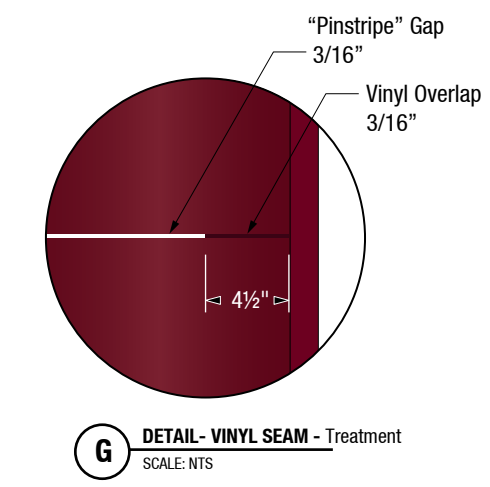
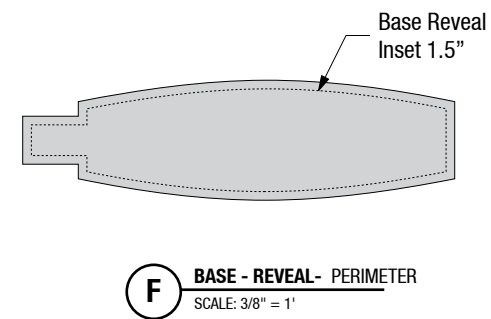
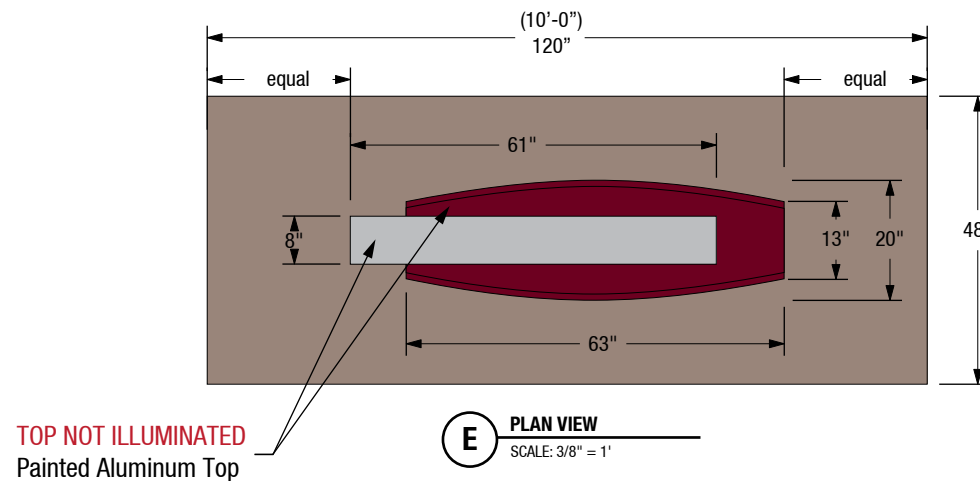
Substrate: 3/16" Transl Polycarbonate
 Vinyl Graphics: 3M Translucent Vinyl
 Colors: 3M#3630-49 Burgundy
 & 3M#3630-51 Silver Gray
 Burgundy Logo with (1/16" Trap)
 Applied First Surface
 Reverse weeded letters
 Logo: Custom EPS provided by client
 Font: Avenir LT 65 Medium, Regular & Bold
 3" Cap Height = 87' Visibility
 10" Cap Height = 290' Visibility

Paint Colors

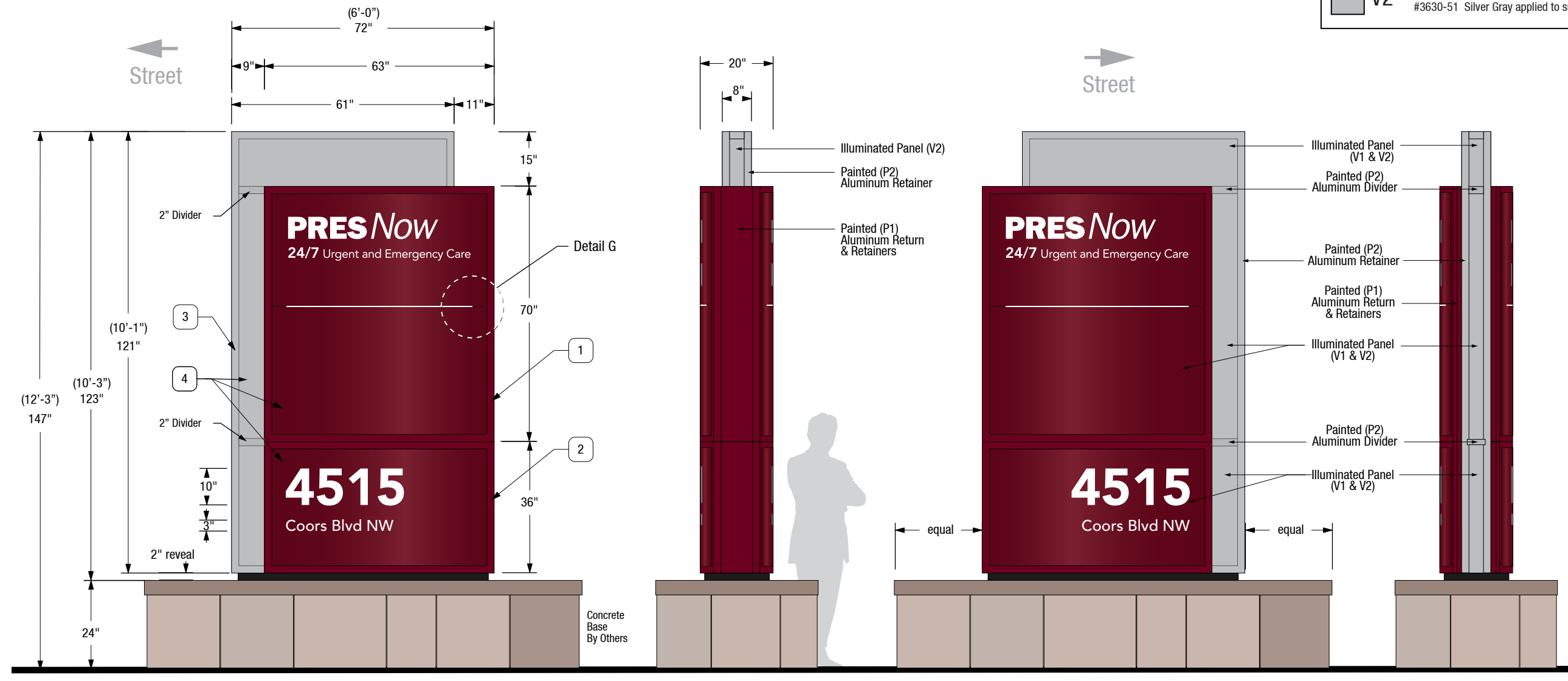
	P1	Color: Matthews Paint System Paint to match 3M Translucent Vinyl #3630-49 Burgundy
	P2	Color: Matthews Paint System Paint to match 3M Translucent Vinyl #3630-51 Silver Gray
	P3	Color: Matthews Paint System Black

Vinyl Colors

	V1	Color: 3M Translucent Vinyl #3630-49 Burgundy applied to substrate.
	V2	Color: 3M Translucent Vinyl #3630-51 Silver Gray applied to substrate.



TOP NOT ILLUMINATED
Painted Aluminum Top



A ELEVATION (Side A)
SCALE: 3/8" = 1'

B END VIEW (Faces Building)
SCALE: 3/8" = 1'

C ELEVATION (Side B)
SCALE: 3/8" = 1'

D END VIEW (Faces Street)
SCALE: 3/8" = 1'

62 SQ. FT.

PACKAGE Q:\Presbyterian\4515 Coors - PRESNow Clinic\20190313 PRESNow Clinic Exterior\Renderings, Submittals & PDFs\Submittals\20190315 PRESNow 4515 Exterior Sign Submittal

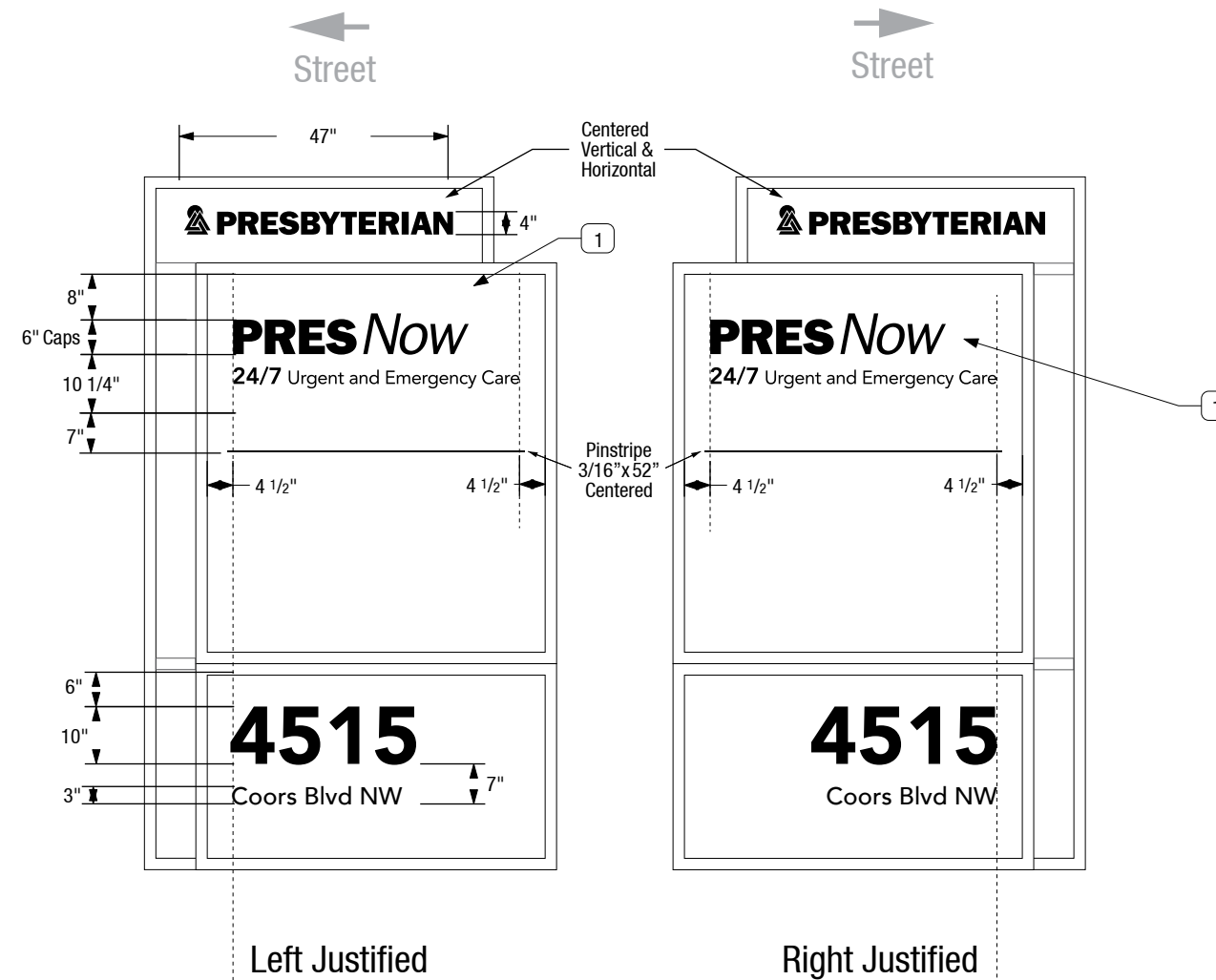
CONTACT Albuquerque / Phoenix P 505.888.2901 ext 104 F 505.888.2902 csbsigns.com	DRAWN BY Johnathan Sylversmythe JohnathanS@csbsigns.com <small>This artwork and design is owned by Century Sign Builders unless expressly stated. Use of this document or the design shown here without permission is prohibited.</small>	CLIENT / PROJECT Client / GC: Presbyterian PRESNow Project: 20190313 PRESNow Clinic Exterior	SUBMITTAL DATE 00/00/0000 <small>Sign Package Modification Date: June 13, 2019 12:42 PM</small>	DRAWING REVISED DATE 00/00/0000	SHEET TITLE Type Description of Sheet	SHEET 23
---	---	---	--	---	--	--------------------



Sign Type A.1

1. GRAPHIC PANELS

Substrate: 3/16" Transl Polycarbonate
 Vinyl Graphics: 3M Translucent Vinyl
 Colors: 3M#3630-49 Burgundy
 & 3M#3630-51 Silver Gray
 Burgundy Logo with (1/16" Trap)
 Applied First Surface
 Reverse weeded letters
 Logo: Custom EPS provided by client
 Font: Avenir LT 65 Medium, Regular & Bold
 3" Cap Height = 87' Visibility
 10" Cap Height = 290' Visibility



A BUILDING MONUMENT
 SCALE: 3/8" = 1'

See design intent rendering for complete sign specifications.

PACKAGE Q:\Presbyterian\4515 Coors - PRESNow Clinic\20190313 PRESNow Clinic Exterior\Renderings, Submittals & PDFs\Submittals\20190315 PRESNow 4515 Exterior Sign Submittal

CONTACT	DRAWN BY	CLIENT / PROJECT	SUBMITTAL DATE	DRAWING REVISED DATE	SHEET TITLE	SHEET
Albuquerque / Phoenix P 505.888.2901 ext 104 F 505.888.2902 csbsigns.com	Johnathan Sylversmythe JohnathanS@csbsigns.com <small>This artwork and design is owned by Century Sign Builders unless expressly stated. Use of this document or the design shown here without permission is prohibited.</small>	Client / GC: Presbyterian PRESNow Project: 20190313 PRESNow Clinic Exterior APPROVAL REQUIRED FOR PRODUCTION	00/00/0000 <small>Sign Package Modification Date: June 13, 2019 12:42 PM</small>	00/00/0000	Type Description of Sheet	24
		SIGNATURE / DATE				

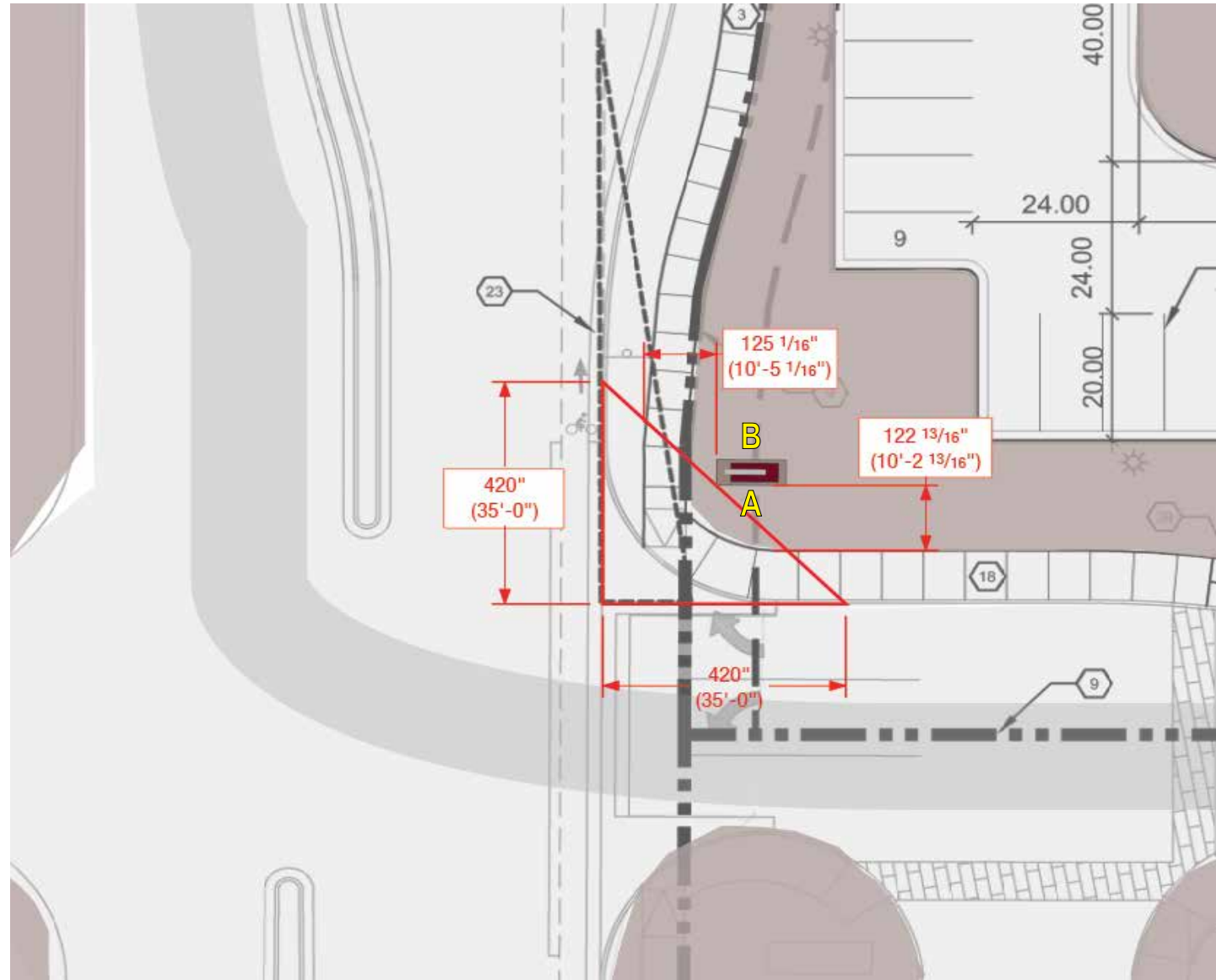




A MESSAGES
SCALE: NTS

B MESSAGES
SCALE: NTS

TBD



EXACT MEASUREMENTS TO COME

C PLACEMENT
SCALE: NTS

LOC A.1/A.1

PACKAGE Q:\Presbyterian\4515 Coors - PRESNow Clinic\20190313 PRESNow Clinic Exterior\Renderings, Submittals & PDFs\Submittals\20190315 PRESNow 4515 Exterior Sign Submittal



CONTACT	DRAWN BY	CLIENT / PROJECT	SUBMITTAL DATE	DRAWING REVISED DATE	SHEET TITLE	SHEET
Albuquerque / Phoenix P 505.888.2901 ext 104 F 505.888.2902 csbsigns.com	Johnathan Sylversmythe JohnathanS@csbsigns.com <small>This artwork and design is owned by Century Sign Builders unless expressly stated. Use of this document or the design shown here without permission is prohibited.</small>	Client / GC: Presbyterian PRESNow Project: 20190313 PRESNow Clinic Exterior APPROVAL REQUIRED FOR PRODUCTION	00/00/0000 <small>Sign Package Modification Date: June 13, 2019 12:42 PM</small>	00/00/0000	Type Description of Sheet	25

SIGNATURE / DATE

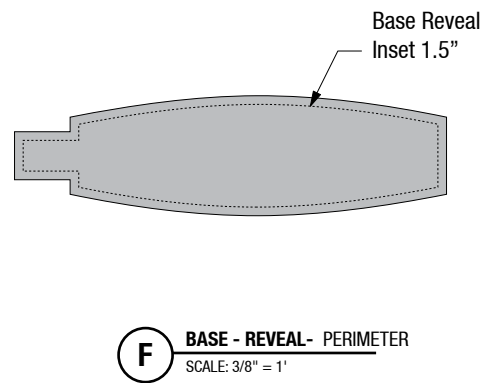
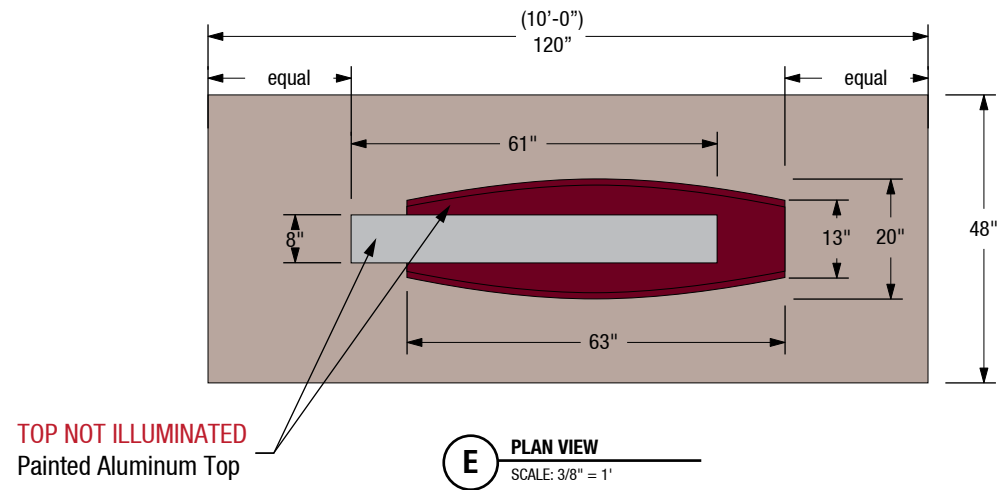


26

Exterior Sign Type B.1

General Contractor: TBD
Project: TBD
Developed By: Century Sign Builders

Sign Type B.1 (A.3)



Paint Colors

P1	Color: Matthews Paint System Paint to match 3M Translucent Vinyl #3630-49 Burgundy
P2	Color: Matthews Paint System Paint to match 3M Translucent Vinyl #3630-51 Silver Gray
P3	Color: Matthews Paint System Black

Vinyl Colors

V1	Color: 3M Translucent Vinyl #3630-49 Burgundy applied to substrate.
V2	Color: 3M Translucent Vinyl #3630-51 Silver Gray applied to substrate.
V3	Color: 3M Translucent Vinyl #3630-43 Light Tomato Red

1. MAIN CABINET - DOUBLE SIDED

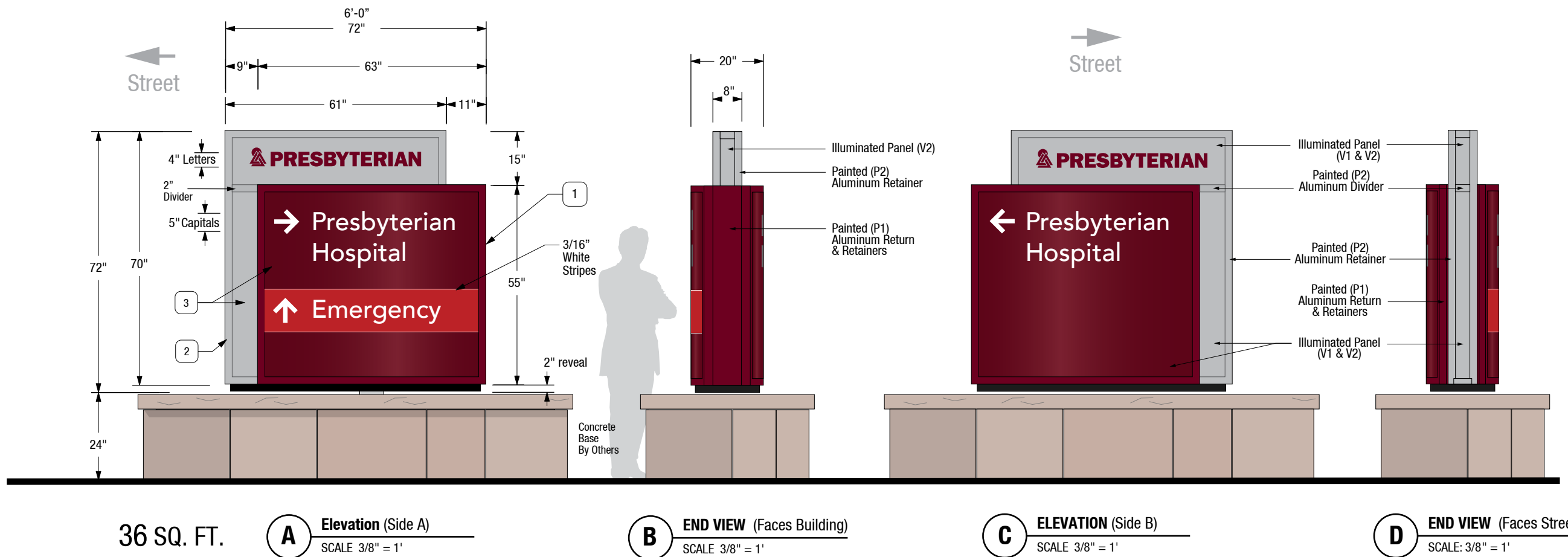
CURVED FACE
Size: 55" H x 63" W x 20" D
Fabrication: Aluminum Frame
Returns: 13" deep .125" Aluminum Retainers: 2" Flush with returns with countersunk screws
Face: 3/16" Transl White Polycarbonate with Vinyl Graphics
Paint: Matthews Paint System to Match 3M Transl Vinyl #3630-49 Burgundy
Sheen: Satin
Illumination: Internal with White LED

2. ACCENT ELEMENT

Fabrication: Aluminum Frame
Returns: 8" deep
Retainers: 2"
Dividers: 2"
Face & Returns: 3/16" Transl White Polycarb
Paint: Matthews Paint System to Match 3M Transl Vinyl#3630-51 Silver Gray
Sheen: Satin
Illumination: Internal with White LED

3. GRAPHIC PANELS

Substrate: 3/16" Transl Polycarbonate
Vinyl Graphics: 3M Translucent Vinyl
Colors: 3M#3630-49 Burgundy & 3M#3630-51 Silver Gray
Burgundy Logo with (1/16" Trap)
Applied First Surface
Reverse weeded letters
Font: Avenir LT 65 Medium
5" Cap Height = 145' Visibility



PACKAGE Q:\Presbyterian\4515 Coors - PRESNow Clinic\20190313 PRESNow Clinic Exterior\Renderings, Submittals & PDFs\Submittals\20190315 PRESNow 4515 Exterior Sign Submittal

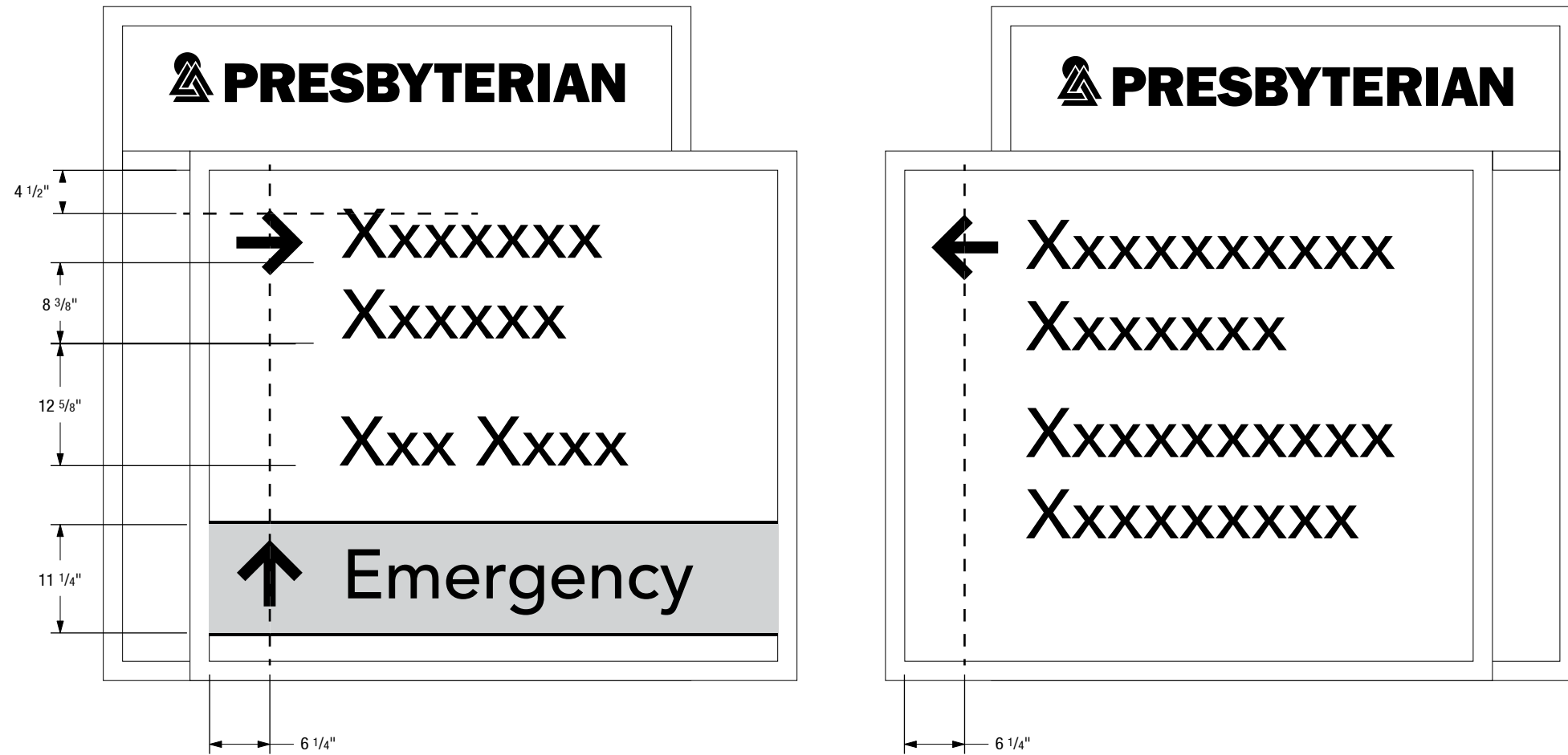
CONTACT	DRAWN BY	CLIENT / PROJECT	SUBMITTAL DATE	DRAWING REVISED DATE	SHEET TITLE	SHEET
Albuquerque / Phoenix P 505.888.2901 ext 104 F 505.888.2902 csbsigns.com	Johnathan Sylversmythe JohnathanS@csbsigns.com This artwork and design is owned by Century Sign Builders unless expressly stated. Use of this document or the design shown here without permission is prohibited.	Client / GC: Presbyterian PRESNow Project: 20190313 PRESNow Clinic Exterior	00/00/0000 Sign Package Modification Date: June 13, 2019 12:42 PM	00/00/0000	Design and Specification	27



Sign Type A.3 (A.3)

1. GRAPHIC PANELS

Substrate: 3/16" Transl Polycarbonate
 Vinyl Graphics: 3M Translucent Vinyl
 Colors: 3M#3630-49 Burgundy
 & 3M#3630-51 Silver Gray
 Burgundy Logo with (1/16" Trap)
 Applied First Surface
 Reverse weeded letters
 Font: Avenir LT 65 Medium
 5" Cap Height = 145' Visibility



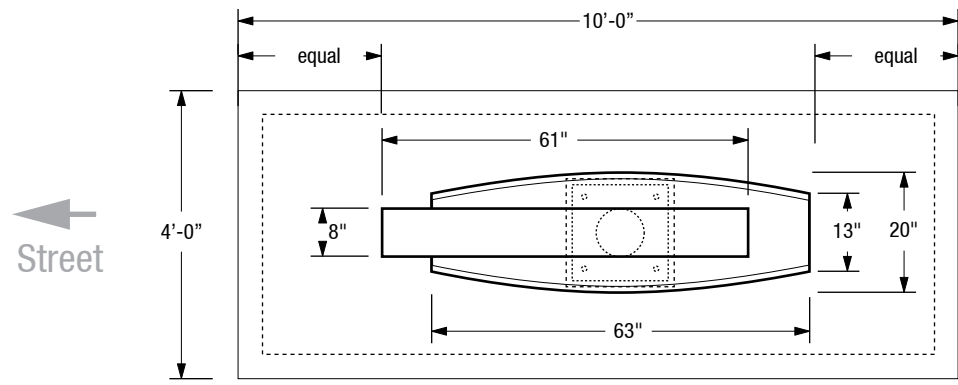
A **CAMPUS DIRECTIONAL**
 SCALE: 3/4" = 1'

See design intent rendering for complete sign specifications.

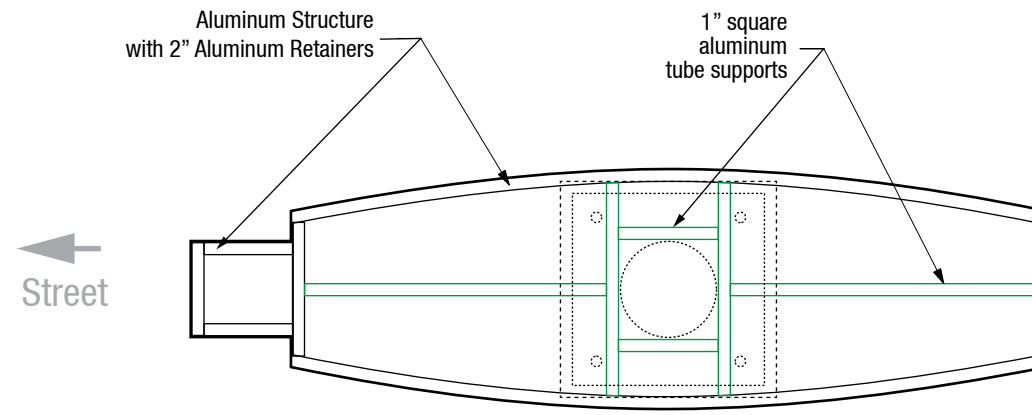
PACKAGE Q:\Presbyterian\4515 Coors - PRENow Clinic\20190313 PRENow Clinic Exterior\Renderings, Submittals & PDFs\Submittals\20190315 PRENow 4515 Exterior Sign Submittal

CONTACT	DRAWN BY	CLIENT / PROJECT	SUBMITTAL DATE	DRAWING REVISED DATE	SHEET TITLE	SHEET
Albuquerque / Phoenix P 505.888.2901 ext 104 F 505.888.2902 csbsigns.com	Johnathan Sylversmythe JohnathanS@csbsigns.com <small>This artwork and design is owned by Century Sign Builders unless expressly stated. Use of this document or the design shown here without permission is prohibited.</small>	Client / GC: Presbyterian PRENow Project: 20190313 PRENow Clinic Exterior APPROVAL REQUIRED FOR PRODUCTION	00/00/0000 <small>Sign Package Modification Date: June 13, 2019 12:42 PM</small>	00/00/0000	Graphic Layout Standard	28

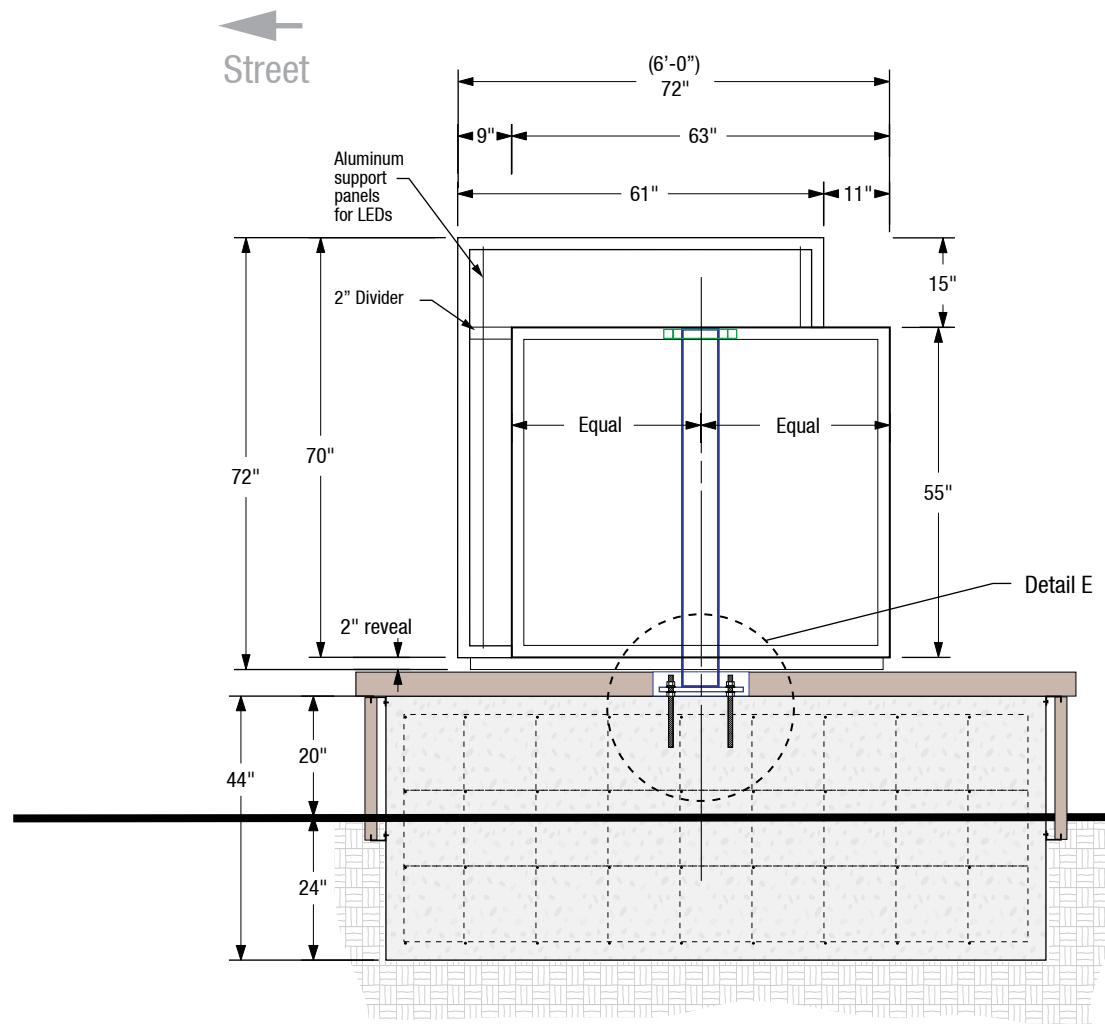




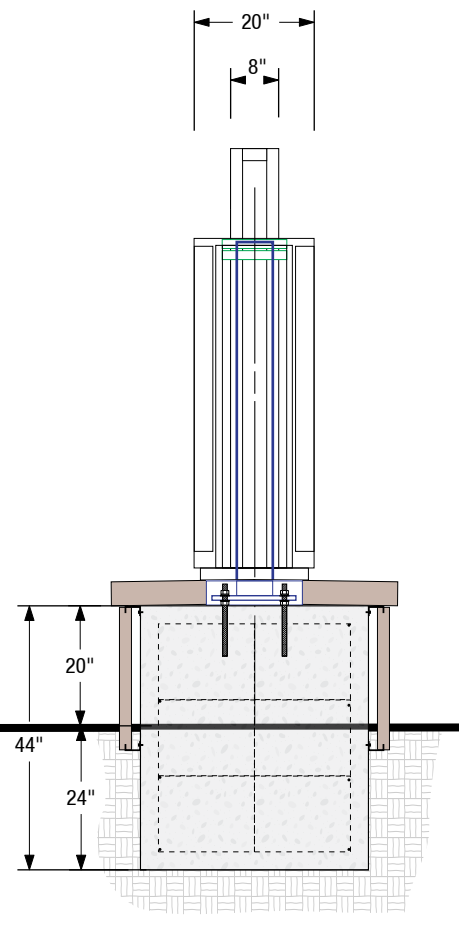
C PLAN VIEW
SCALE: 3/8" = 1'
6" Dia Pipe
14" square base plate



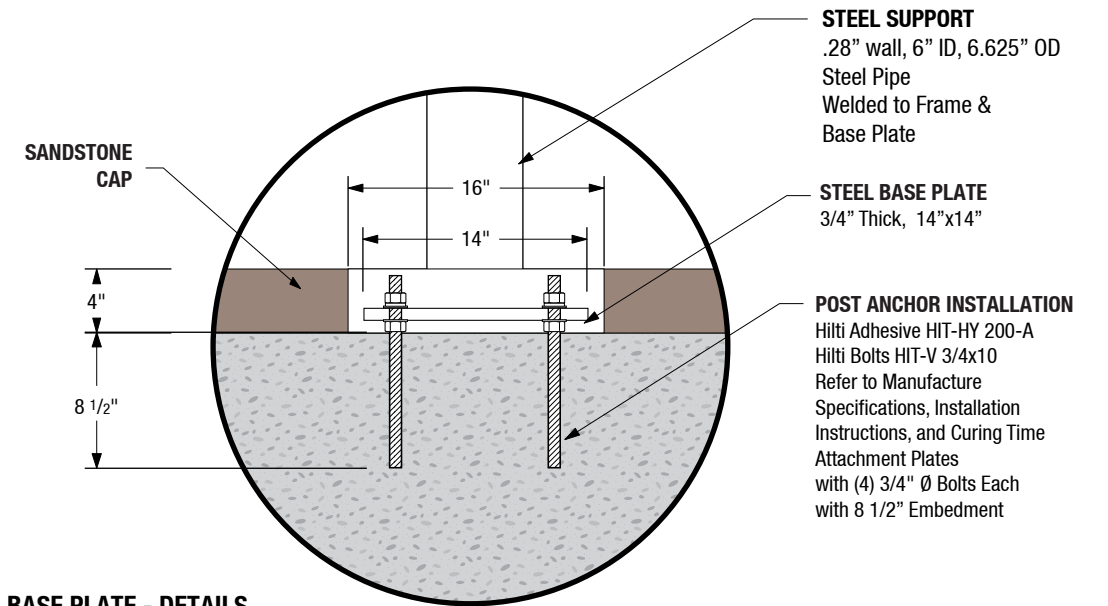
D PLAN SECTION
SCALE: 3/4" = 1'



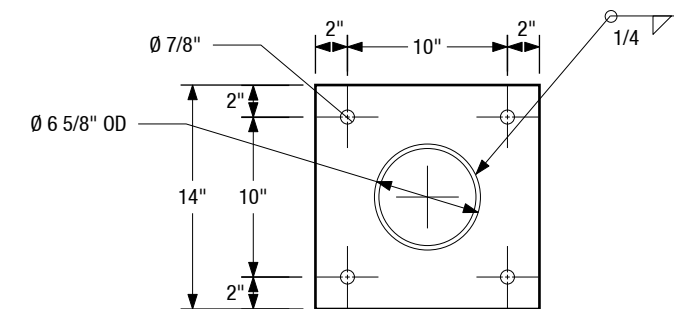
A ELEVATION (Side A)
SCALE: 3/8" = 1'-0"



B END VIEW (Faces Building)
SCALE: 3/8" = 1'-0"



E BASE PLATE - DETAILS
SCALE: 1" = 1'-0"



F BASE PLATE - DETAILS
SCALE: 1" = 1'-0"

36 SQ. FT.

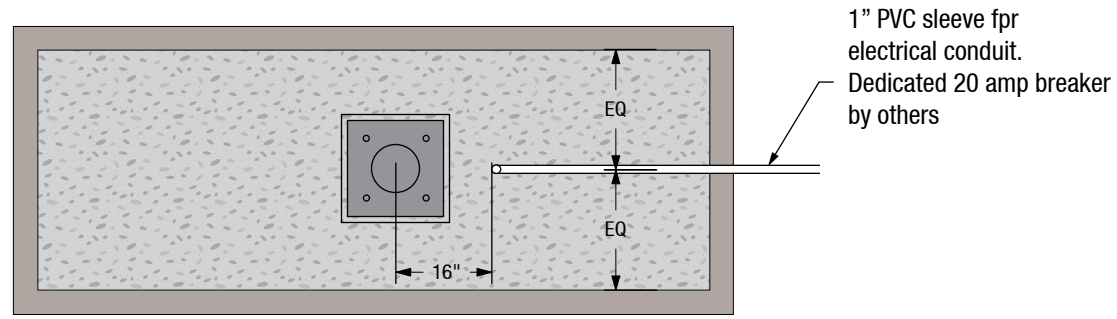
PACKAGE Q:\Presbyterian\4515 Coors - PRESNow Clinic\20190313 PRESNow Clinic Exterior\Renderings, Submittals & PDFs\Submittals\20190315 PRESNow 4515 Exterior Sign Submittal

CONTACT	DRAWN BY	CLIENT / PROJECT	SUBMITTAL DATE	DRAWING REVISED DATE	SHEET TITLE	SHEET
Albuquerque / Phoenix P 505.888.2901 ext 104 F 505.888.2902 csbsigns.com	Johnathan Sylversmythe JohnathanS@csbsigns.com This artwork and design is owned by Century Sign Builders unless expressly stated. Use of this document or the design shown here without permission is prohibited.	Client / GC: Presbyterian PRESNow Project: 20190313 PRESNow Clinic Exterior APPROVAL REQUIRED FOR PRODUCTION	00/00/0000 Sign Package Modification Date: June 13, 2019 12:42 PM	00/00/0000	Construction	29

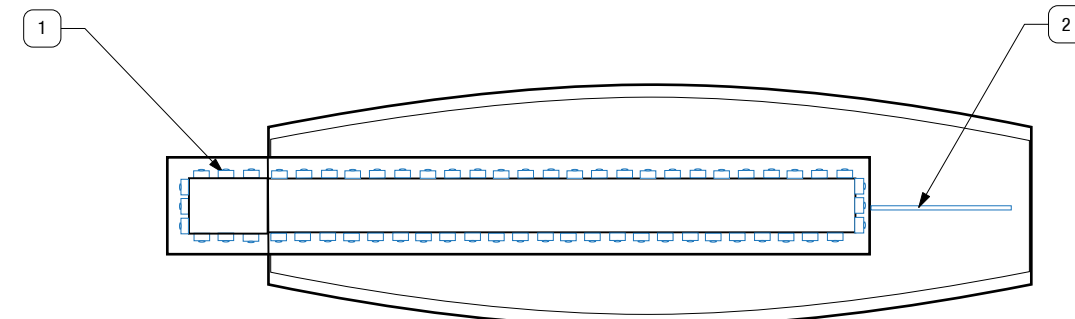


Sign Type **A.3** (A.3)

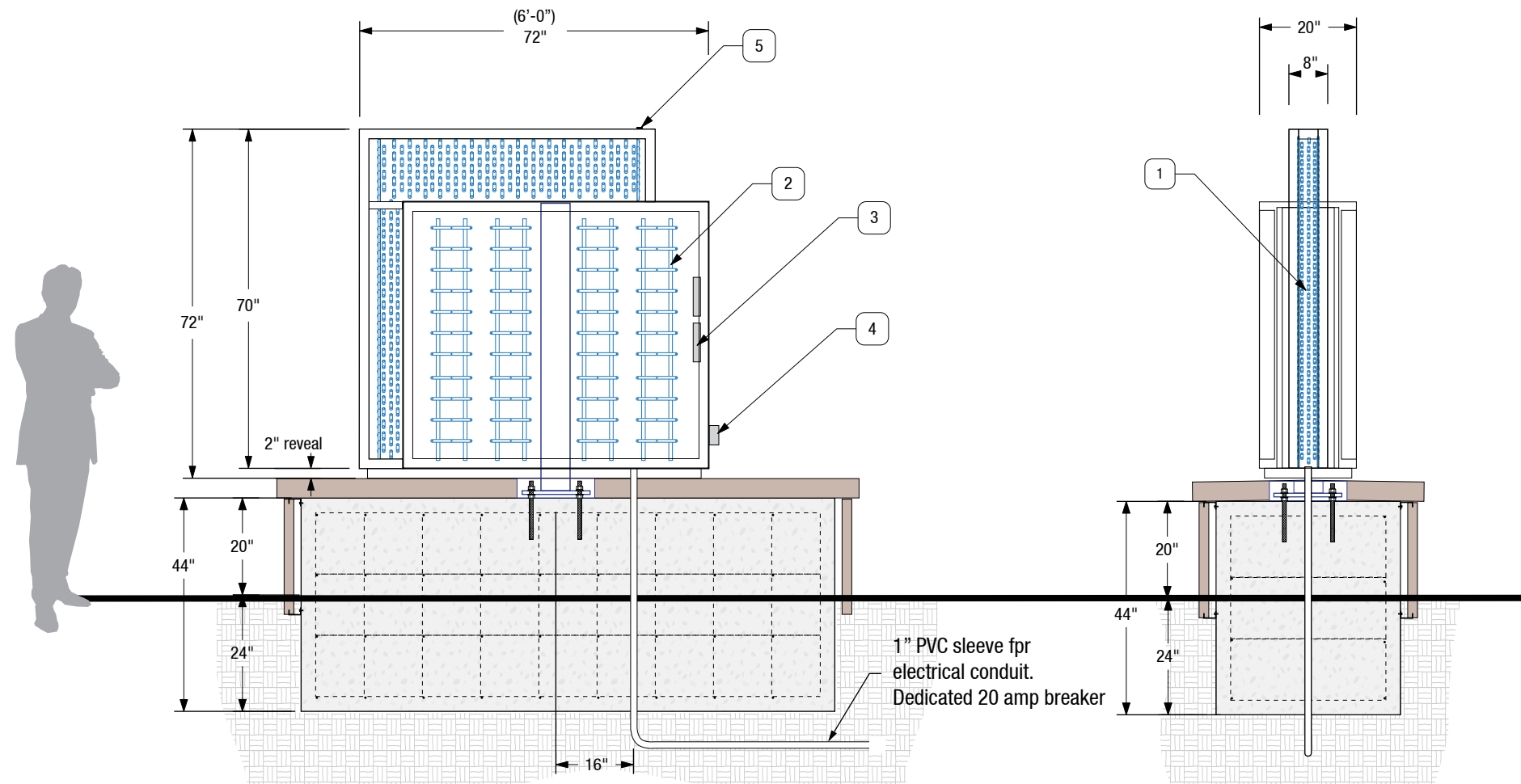
- 1. WHITE LED
- 2. WHITE LED
Sloan - SignBOX white LED - Double Faced
- 3. Power Supply - as needed
France- Dual Voltage LED 1260 EPS
- 4. SWITCH
- 5. Photo Cell



D PLAN VIEW
SCALE: 3/8" = 1'



C PLAN SECTION
SCALE: 3/4" = 1'



A Elevation (Side A)
SCALE: 3/8" = 1'

B END VIEW (Faces Street)
SCALE: 3/8" = 1'

PACKAGE Q:\Presbyterian\4515 Coors - PRESNow Clinic\20190313 PRESNow Clinic Exterior\Renderings, Submittals & PDFs\Submittals\20190315 PRESNow 4515 Exterior Sign Submittal

CONTACT	DRAWN BY	CLIENT / PROJECT	SUBMITTAL DATE	DRAWING REVISED DATE	SHEET TITLE	SHEET
Albuquerque / Phoenix P 505.888.2901 ext 104 F 505.888.2902 csbsigns.com	Johnathan Sylversmythe JohnathanS@csbsigns.com <small>This artwork and design is owned by Century Sign Builders unless expressly stated. Use of this document or the design shown here without permission is prohibited.</small>	Client / GC: Presbyterian PRESNow Project: 20190313 PRESNow Clinic Exterior APPROVAL REQUIRED FOR PRODUCTION	00/00/0000 <small>Sign Package Modification Date: June 13, 2019 12:42 PM</small>	00/00/0000	Electrical	30
		SIGNATURE / DATE				



Sign Type A.3 (A.3)

STANDARD MOUNTING SPECIFICATIONS

- SIGN TYPE A.3**
Approximate Weight: 300lbs
- SIGN SUPPORT POLE**
Quantity: 1
Material: 6" Steel Pipe (6.625" OD)
Fabrication: Welded to Frame & Base Plate
Length: Total Length Of Main Cabinet
Steel Tube Wall Thickness: .28"
Extended Outside Sign: 2.75" (3.5" w/Plate)

- BASE PLATE**
Quantity: 1
Material: 3/4" Steel Plate
Fabrication: Welded to Support Pipe
Size: 14"x14", Plate Thickness 3/4"

- ANCHOR**
Quantity: 4
Type/Size: All Thread Rod Size 3/4"-16
Material: 304 Stainless Steel
Embedment: 8.5"
Product: Hilti HAS-R 3/4" X 12" SS304
Product No: 385470, **No Substitutes**

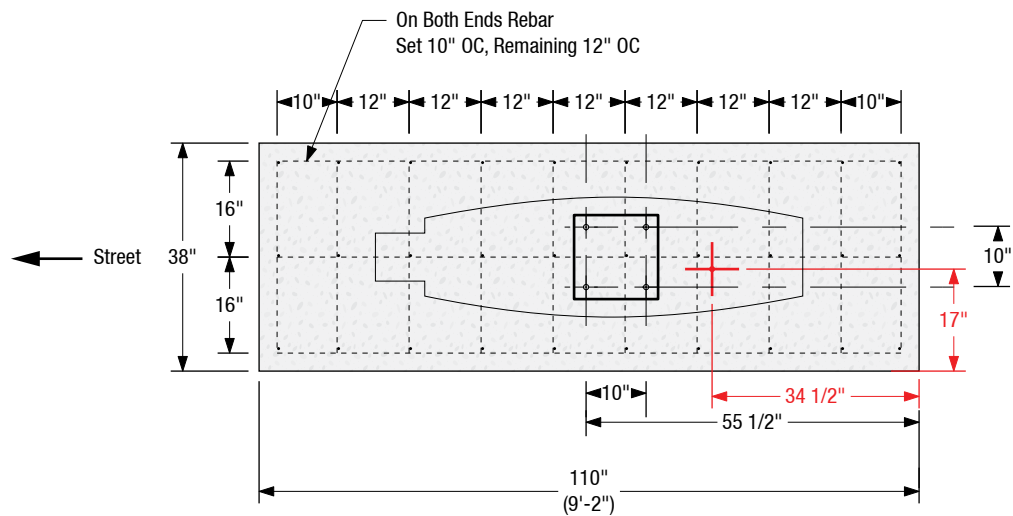
- NUTS**
Quantity: 12 (3 Nuts Per Anchor)
Type/Size: Hex Nut-Standard 3/4"-16
Material: 316 Stainless Steel
Product: Hilti
Product No: 411778 or Equal

- WASHERS**
Quantity: 8(WASHER) 4(SPLIT WASHER)
Dia: OD 1.5", ID .812"(WASHER)
OD 1.265, ID 0.766(SPLIT WASHER)
Material: 316 Stainless Steel
Product: Hilti(WASHER)
McMaster-Carr(SPLIT WASHER)
Product No: 411783 or Equal(WASHER)
92147A036 or Equal(SPLIT WASHER)

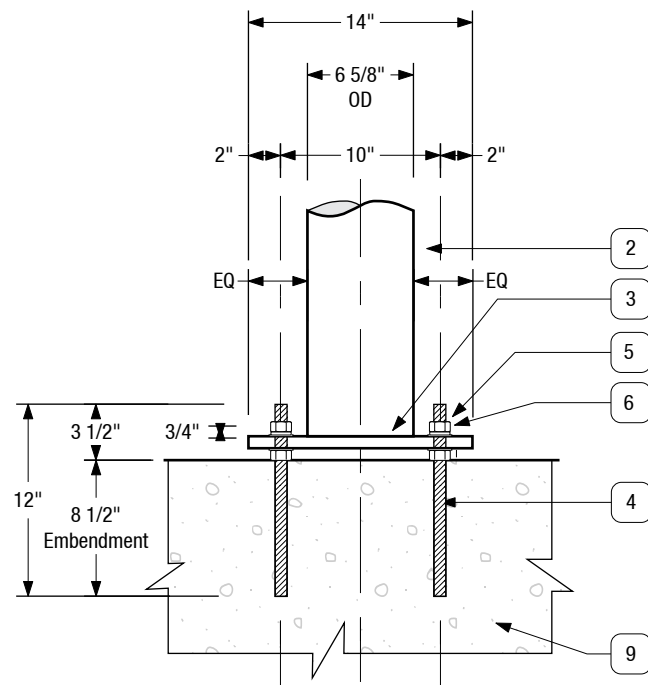
- ADHESIVE**
Quantity: TBD
Product: Hilti Adhesive HIT-HY 200-A
Product No: 2022791
No Substitutes - Refer to Manufacture Specifications, Installation Instructions, and Curing Time

- SANDSTONE CLADDING**
Provided by Others
Refer to Other Vendor Color Submittal
Gap Between Each Stone: 1/4" Max
Face Size Height: 23.75" Min Height
Face Size Width: **Varies (to Match Presbyterian Existing Exterior Columns and Color Combo)**
Face Thickness: 2" Min Height
Cap Thickness: 4" Min Height (Split Face)
Attachment: SS Split Tail Anchor or EQ

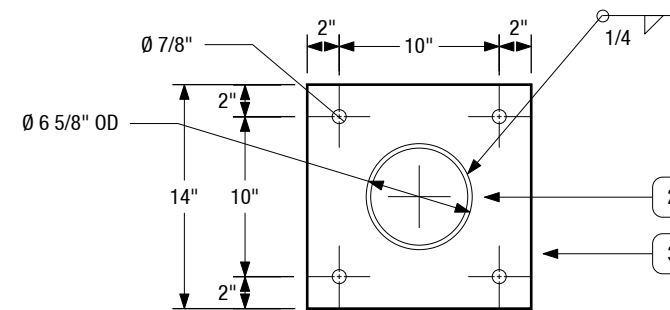
- CONCRETE BASE/FOOTER**
Required PSI: Min 3000 PSI
Provided by Others



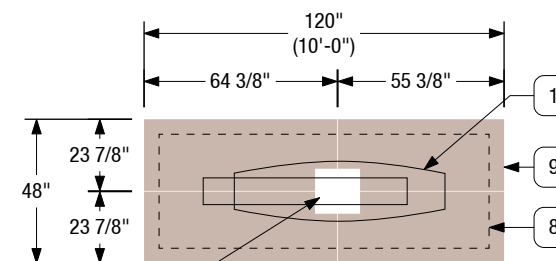
A PLAN VIEW - CONCRETE FOOTING
SCALE: 3/8"=1'



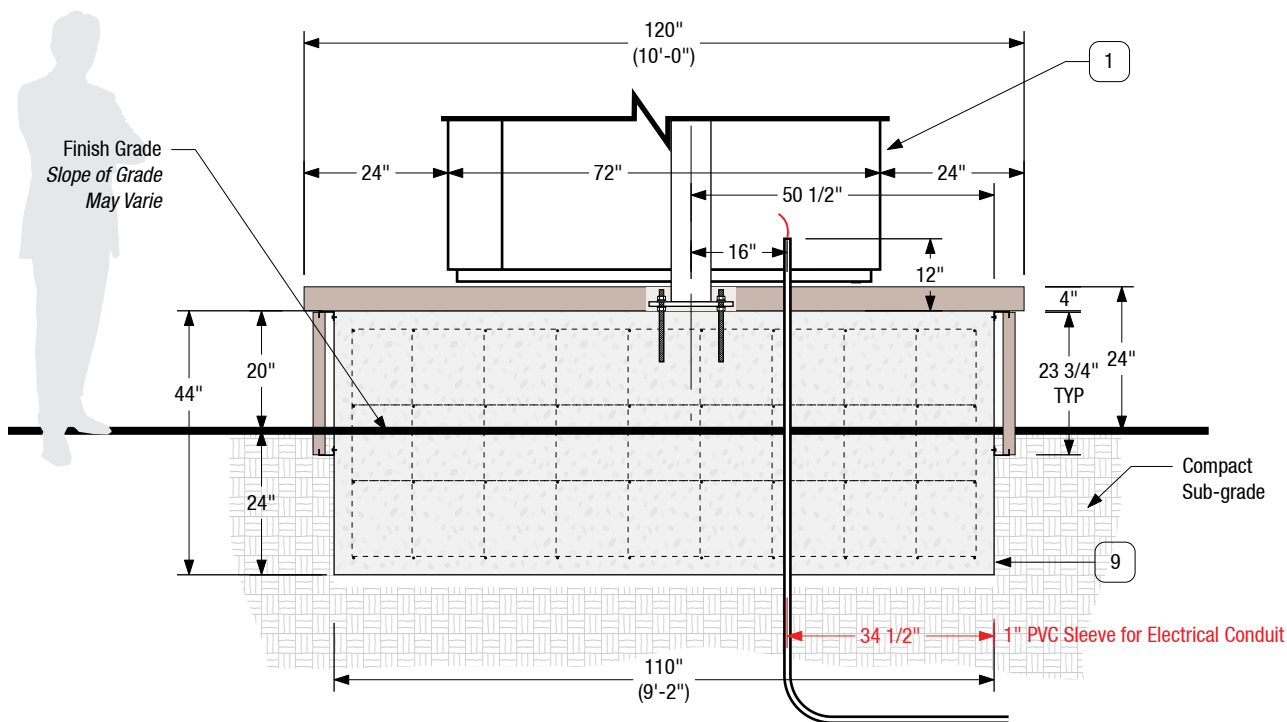
C ANCHOR DETAIL SECTION
SCALE: 1"=1'



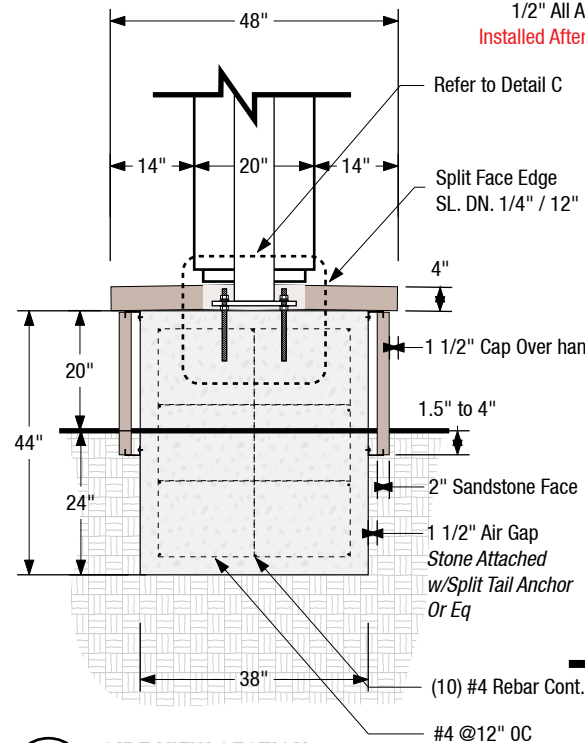
E BASE PLATE DETAIL
SCALE: 1"=1'



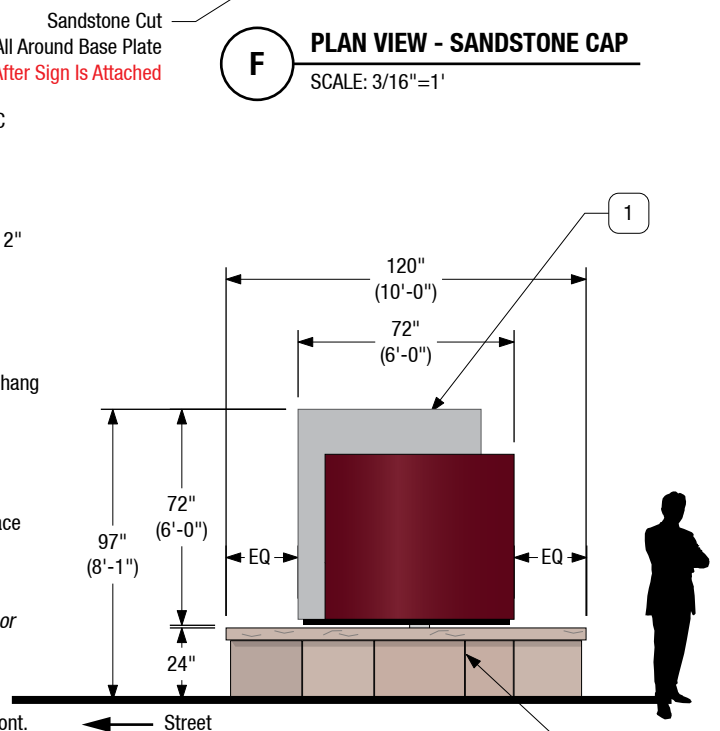
F PLAN VIEW - SANDSTONE CAP
SCALE: 3/16"=1'



B ELEVATION SIDE A DETAIL SECTION
SCALE: 3/8"=1'



D SIDE VIEW SECTION
SCALE: 3/8"=1'



G OVERALL DIMENSIONS
SCALE: 3/16"=1'

PACKAGE Q:\Presbyterian\4515 Coors - PRESNow Clinic\20190313 PRESNow Clinic Exterior\Renderings, Submittals & PDFs\Submittals\20190315 PRESNow 4515 Exterior Sign Submittal



CONTACT
Albuquerque / Phoenix
P 505.888.2901 ext 104
F 505.888.2902
csbsigns.com

DRAWN BY
Johnathan Sylversmythe
JohnathanS@csbsigns.com
This artwork and design is owned by Century Sign Builders unless expressly stated. Use of this document or the design shown here without permission is prohibited.

CLIENT / PROJECT
Client / GC: Presbyterian PRESNow
Project: 20190313 PRESNow Clinic Exterior

APPROVAL REQUIRED FOR PRODUCTION
SIGNATURE / DATE

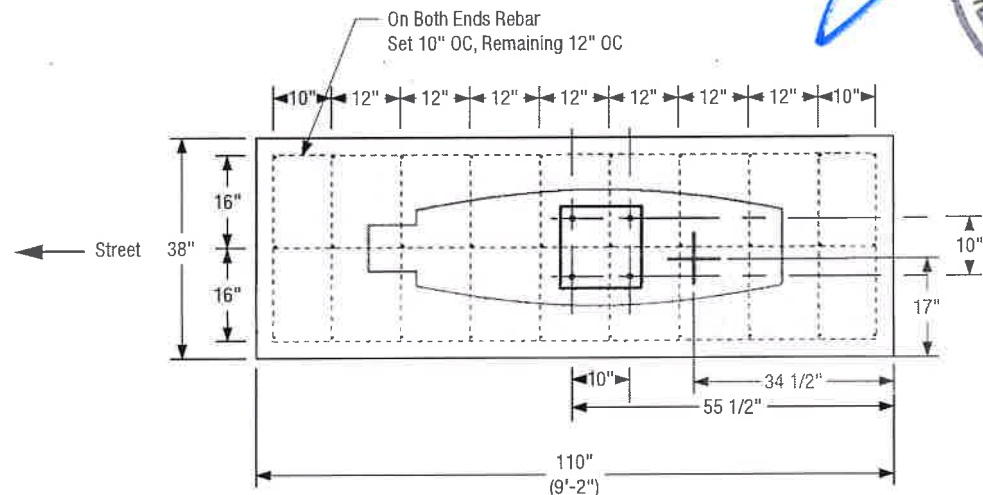
SUBMITTAL DATE
00/00/0000
Sign Package Modification Date: June 13, 2019 12:42 PM

DRAWING REVISED DATE
00/00/0000

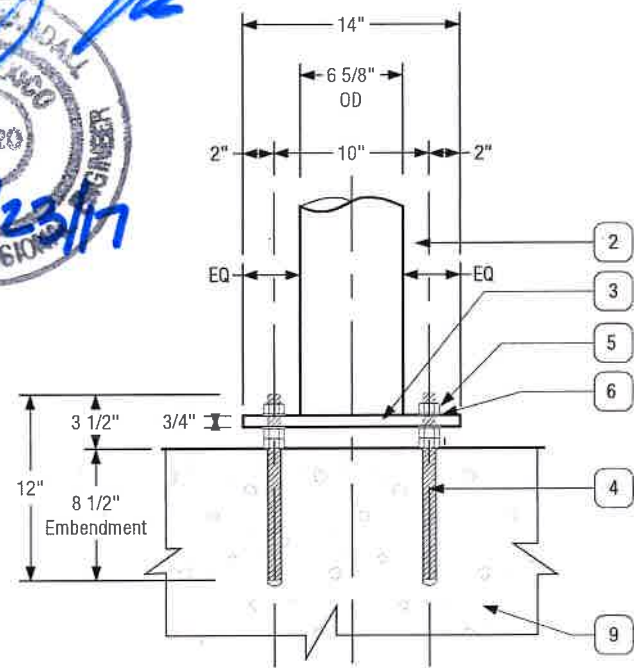
SHEET TITLE
Footing Specifications

SHEET

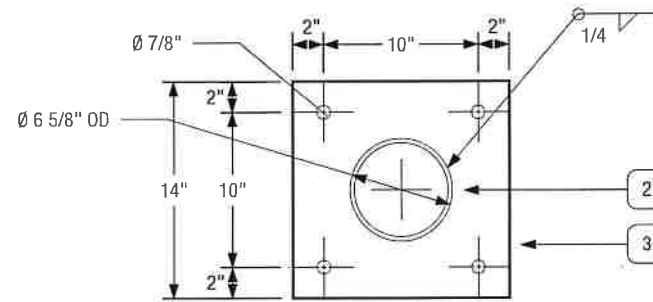
31



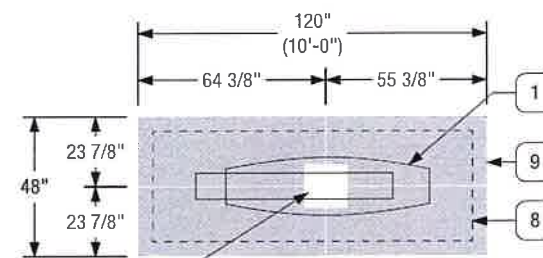
A PLAN VIEW - CONCRETE FOOTING
SCALE: 3/8"=1'



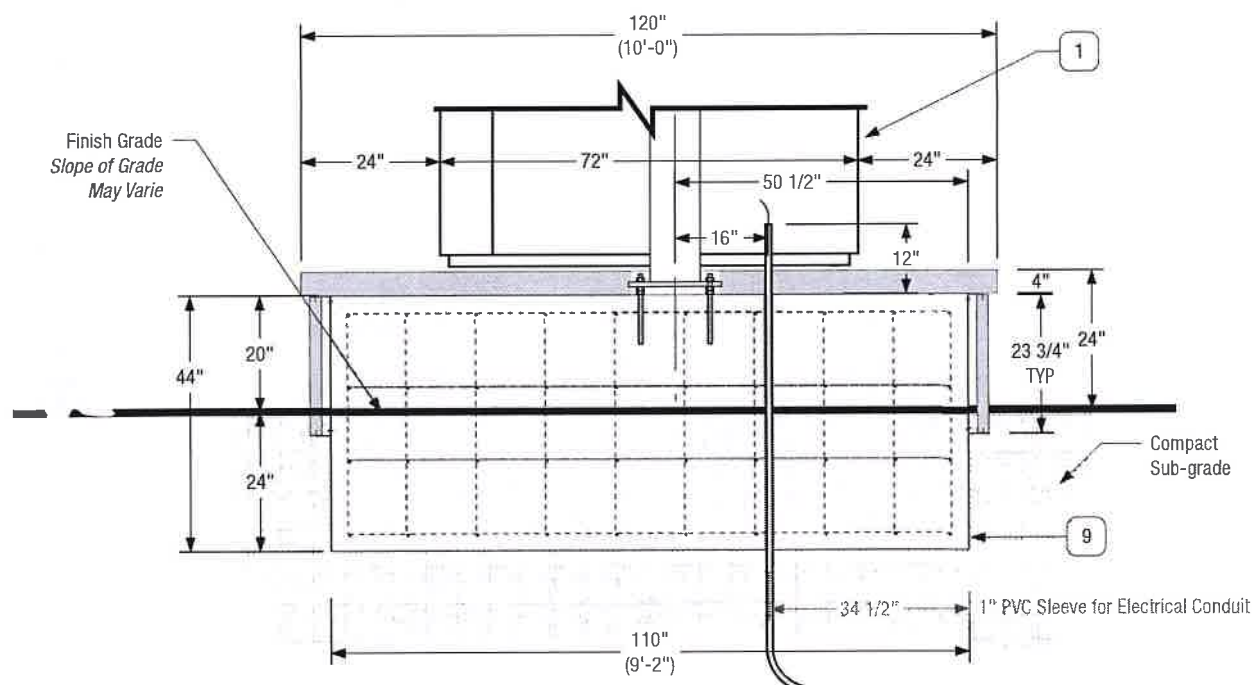
C ANCHOR DETAIL SECTION
SCALE: 1"=1'



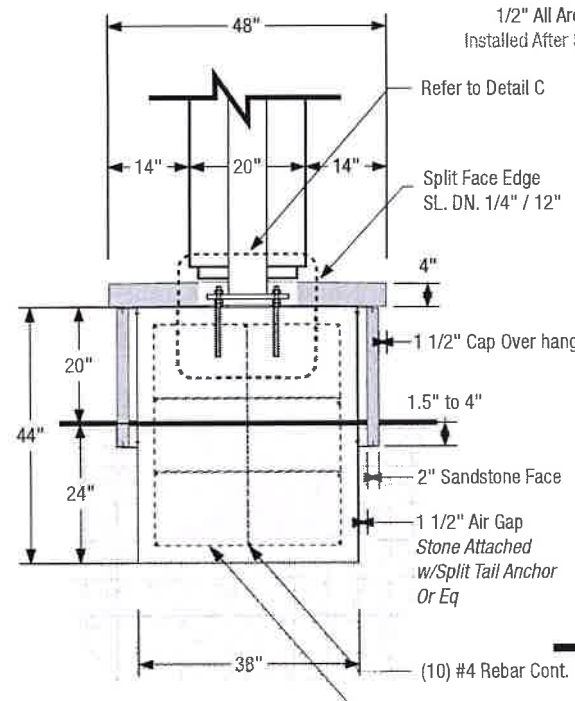
E BASE PLATE DETAIL
SCALE: 1"=1'



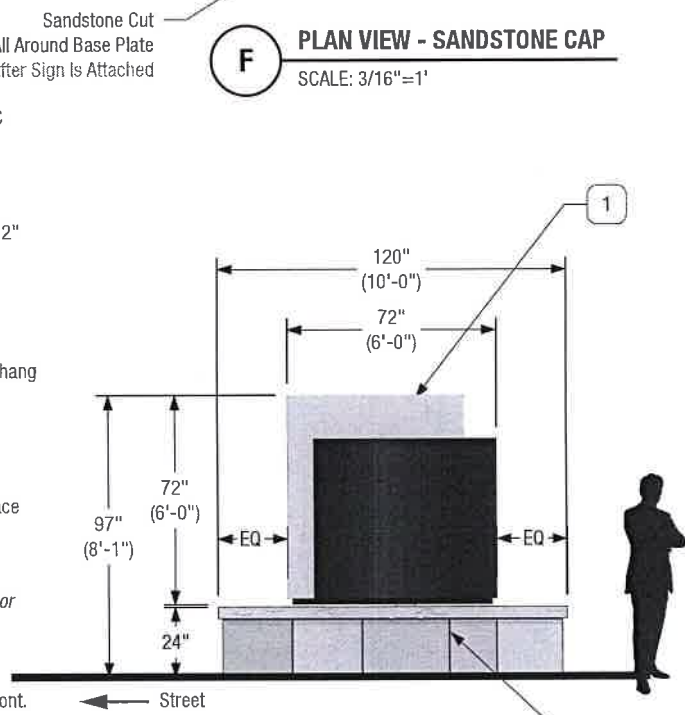
F PLAN VIEW - SANDSTONE CAP
SCALE: 3/16"=1'



B ELEVATION SIDE A DETAIL SECTION
SCALE: 3/8"=1'



D SIDE VIEW SECTION
SCALE: 3/8"=1'



G OVERALL DIMENSIONS
SCALE: 3/16"=1'

Sign Type A.3

STANDARD MOUNTING SPECIFICATIONS

- 1. SIGN TYPE A.3**
Approximate Weight: 300lbs
- 2. SIGN SUPPORT POLE**
Quantity: 1
Material: 6" Steel Pipe (6.625" OD)
Fabrication: Welded to Frame & Base Plate
Length: Total Length Of Main Cabinet
Steel Tube Wall Thickness: .28"
Extended Outside Sign: 2.75" (3.5" w/Plate)
- 3. BASE PLATE**
Quantity: 1
Material: 3/4" Steel Plate
Fabrication: Welded to Support Pipe
Size: 14"x14", Plate Thickness 3/4"
- 4. ANCHOR**
Quantity: 4
Type/Size: All Thread Rod Size 3/4"-16
Material: 304 Stainless Steel
Embedment: 8.5"
Product: Hilti HAS-R 3/4" X 12" SS304
Product No: 385470, No Substitutes
- 5. NUTS**
Quantity: 12 (3 Nuts Per Anchor)
Type/Size: Hex Nut-Standard 3/4"-16
Material: 316 Stainless Steel
Product: Hilti
Product No: 411778 or Equal
- 6. WASHERS**
Quantity: 8
Dia: OD 1.5", ID .812"
Material: 316 Stainless Steel
Product: Hilti
Product No: 411783 or Equal
- 7. ADHESIVE**
Quantity: TBD
Product: Hilti Adhesive HIT-HY 200-A
Product No: 2022791
No Substitutes - Refer to Manufacture Specifications, Installation Instructions, and Curing Time
- 8. SANDSTONE CLADDING**
Provided by Others
Refer to Other Vendor Color Submittal
Gap Between Each Stone: 1/4" Max
Face Size Height: 23.75" Min Height
Face Size Width: Varies (to Match Presbyterian Existing Exterior Columns and Color Combo)
Face Thickness: 2" Min Height
Cap Thickness: 4" Min Height (Split Face)
Attachment: SS Split Tail Anchor or EQ
- 9. CONCRETE BASE/FOOTER**
Required PSI: Min 3000 PSI
Provided by Others

PACKAGE Q:\Presbyterian\4515 Coors - PRESNow Clinic\20190313 PRESNow Clinic Exterior\Renderings, Submittals & PDFs\Submittals\20190313 PRESNow 4515 Exterior Sign Submittal



CONTACT
Albuquerque / Phoenix
P 505.888.2901 ext 104
F 505.888.2902
csbsigns.com

DRAWN BY
Johnathan Sylversmythe
JohnathanS@csbsigns.com
This artwork and design is owned by Century Sign Builders unless expressly stated. Use of this document or the design shown here without permission is prohibited.

CLIENT / PROJECT
Client / GC: Presbyterian PRESNow
Project: 20190313 PRESNow Clinic Exterior

APPROVAL REQUIRED FOR PRODUCTION
SIGNATURE / DATE

SUBMITTAL DATE
00/00/0000
Sign Package Modification Date: June 13, 2019 12:42 PM

DRAWING REVISED DATE
00/00/0000



SHEET TITLE
Engineer Stamp

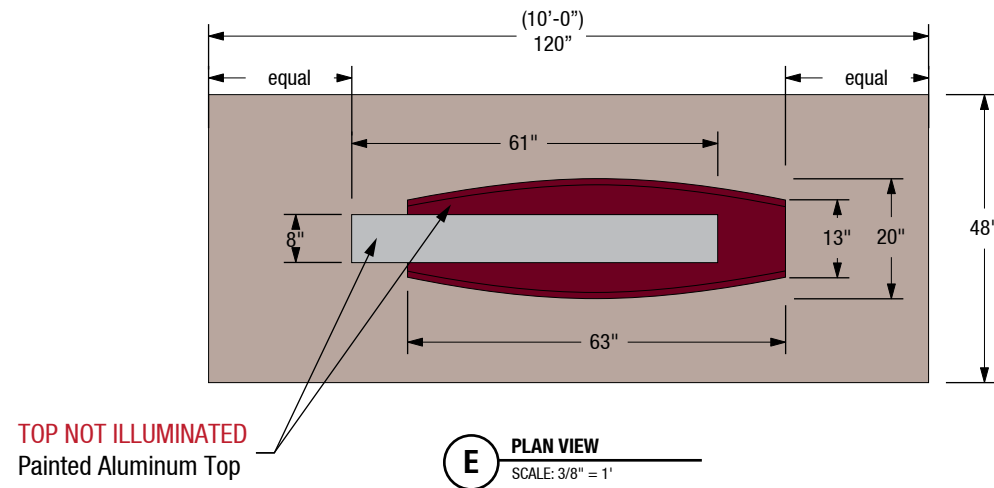
Sign Type A.3

Paint Colors

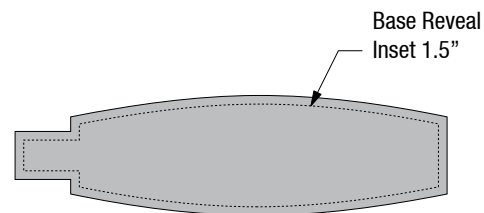
	P1	Color: Matthews Paint System Paint to match 3M Translucent Vinyl #3630-49 Burgundy
	P2	Color: Matthews Paint System Paint to match 3M Translucent Vinyl #3630-51 Silver Gray
	P3	Color: Matthews Paint System Black

Vinyl Colors

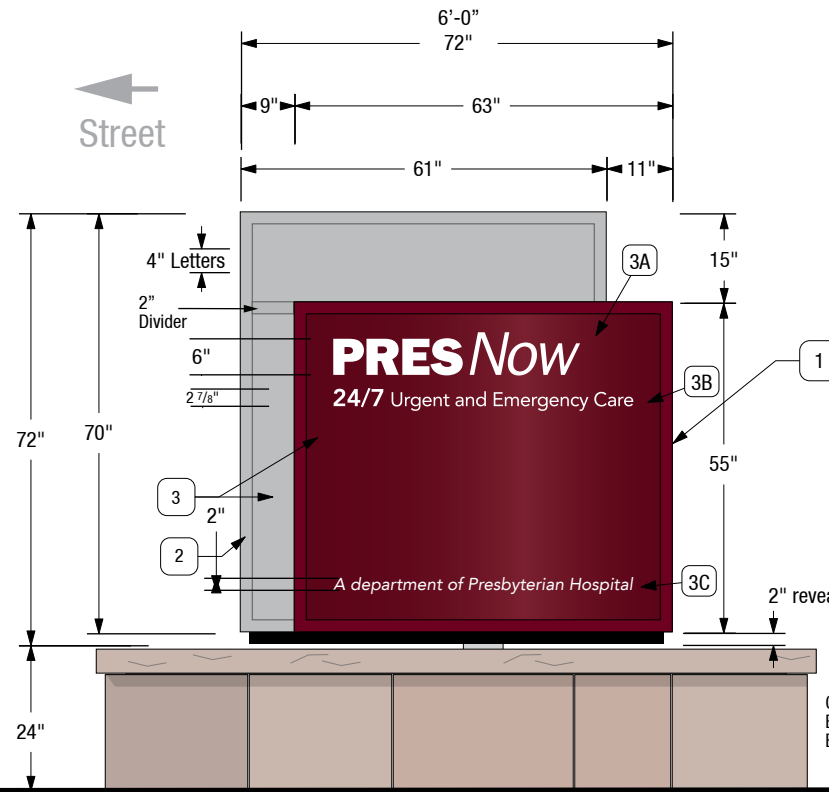
	V1	Color: 3M Translucent Vinyl #3630-49 Burgundy applied to substrate.
	V2	Color: 3M Translucent Vinyl #3630-51 Silver Gray applied to substrate.



TOP NOT ILLUMINATED
Painted Aluminum Top

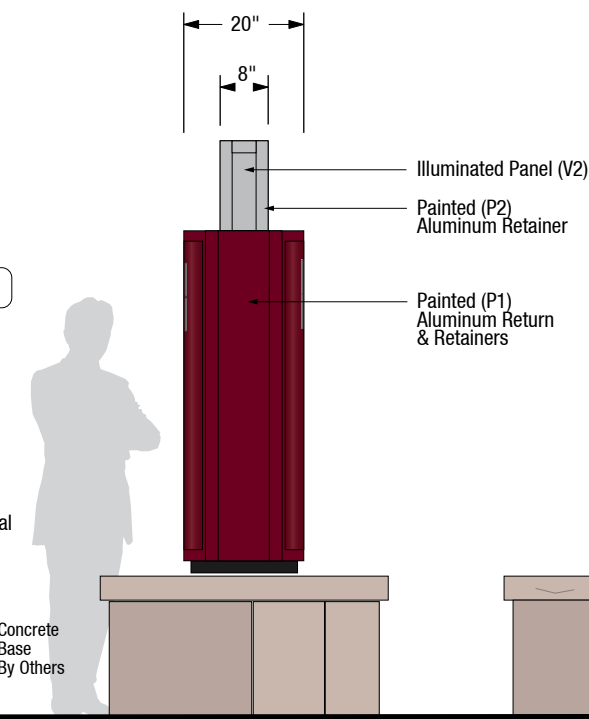


F BASE - REVEAL - PERIMETER
SCALE: 3/8" = 1'

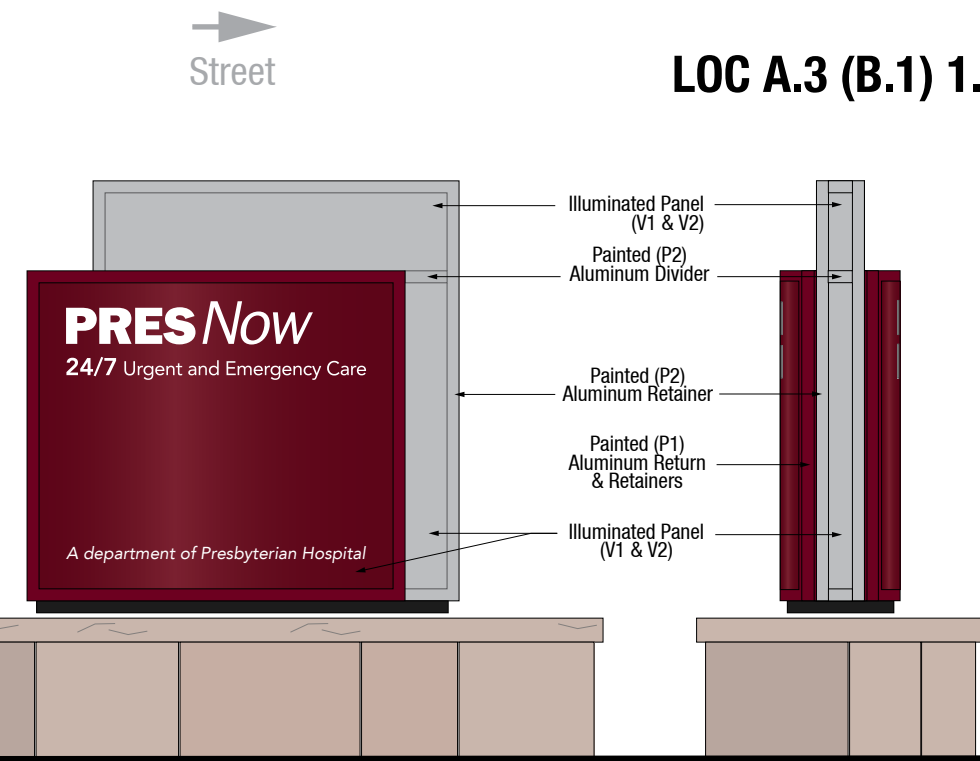


36 SQ. FT.

A ELEVATION (Side A)
SCALE 3/8" = 1'



B END VIEW (Faces Building)
SCALE 3/8" = 1'



C ELEVATION (Side B)
SCALE 3/8" = 1'

D END VIEW (Faces Street)
SCALE: 3/8" = 1'

LOC A.3 (B.1) 1.2

1. MAIN CABINET - DOUBLE SIDED

CURVED FACE
Size: 55" H x 63" W x 20" D
Fabrication: Aluminum Frame
Returns: 13" deep .125" Aluminum Retainers: 2" Flush with returns with countersunk screws
Face: 3/16" Transl White Polycarbonate with Vinyl Graphics
Paint: Matthews Paint System to Match 3M Transl Vinyl #3630-49 Burgundy
Sheen: Satin
Illumination: Internal with White LED

2. ACCENT ELEMENT

Fabrication: Aluminum Frame
Returns: 8" deep
Retainers: 2"
Dividers: 2"
Face & Returns: 3/16" Transl White Polycarb
Paint: Matthews Paint System to Match 3M Transl Vinyl#3630-51 Silver Gray
Sheen: Satin
Illumination: Internal with White LED

3. GRAPHIC PANELS

Substrate: 3/16" Transl Polycarbonate
Vinyl Graphics: 3M Translucent Vinyl
Colors: 3M#3630-49 Burgundy & 3M#3630-51 Silver Gray
Applied First Surface
Letters to be white as shown on polycarbonated face
Logo: Custom EPS provided by client

A: PRES Now:

Font: Custom Outline Logo
Height: 6"
Visibility Distance Still: 150'
Driving Visibility: 4'

B: 24/7 Urgent and Emergency Care:

Font: Custom Outline Logo
Height: 2 7/8"
Text Visibility Distance Still: 62' - 75'
Driving Visibility: 4'

C: A Department of ...:

Font: Avenir 55 Roman Italic
Height: 2"
Visibility Distance Still: 50'
Driving Visibility: 4'

PACKAGE Q:\Presbyterian\4515 Coors - PRESNow Clinic\20190313 PRESNow Clinic Exterior\Renderings, Submittals & PDFs\Submittals\20190315 PRESNow 4515 Exterior Sign Submittal



CONTACT	DRAWN BY	CLIENT / PROJECT	SUBMITTAL DATE	DRAWING REVISED DATE	SHEET TITLE	SHEET
Albuquerque / Phoenix P 505.888.2901 ext 104 F 505.888.2902 csbsigns.com	Johnathan Sylversmythe JohnathanS@csbsigns.com This artwork and design is owned by Century Sign Builders unless expressly stated. Use of this document or the design shown here without permission is prohibited.	Client / GC: Presbyterian PRESNow Project: 20190313 PRESNow Clinic Exterior	00/00/0000 Sign Package Modification Date: June 13, 2019 12:42 PM	00/00/0000	LOC 1.2- B1 Design and Specification	33
		APPROVAL REQUIRED FOR PRODUCTION	SIGNATURE / DATE			

Sign Type A.3

1. GRAPHIC PANELS

Substrate: 3/16" Transl Polycarbonate
 Vinyl Graphics: 3M Translucent Vinyl
 Colors: 3M#3630-49 Burgundy
 & 3M#3630-51 Silver Gray
 Burgundy Logo with (1/16" Trap)
 Applied First Surface
 Letters to be white as shown on
 polycarbonated face
 Logo: Custom EPS provided by client

A: PRES Now:
 Font: Custom Outline Logo
 Height: 6"
 Visibility Distance Still: 150'
 Driving Visibility: 4'

B: 24/7 Urgent and Emergency Care:
 Font: Custom Outline Logo
 Height: 2 7/8"
 Text Visibility Distance Still: 62' - 75'
 Driving Visibility: 4'

C: A Department of ...:
 Font: Avenir 55 Roman Italic
 Height: 2"
 Visibility Distance Still: 50'
 Driving Visibility: 4'



A **CAMPUS DIRECTIONAL**
 SCALE: 3/4" = 1'

LOC A.3 (B.1) 1.2

See design intent rendering for complete sign specifications.

PACKAGE Q:\Presbyterian\4515 Coors - PRESNow Clinic\20190313 PRESNow Clinic Exterior\Renderings, Submittals & PDFs\Submittals\20190315 PRESNow 4515 Exterior Sign Submittal

CONTACT	DRAWN BY	CLIENT / PROJECT	SUBMITTAL DATE	DRAWING REVISED DATE	SHEET TITLE	SHEET
Albuquerque / Phoenix P 505.888.2901 ext 104 F 505.888.2902 csbsigns.com	Johnathan Sylversmythe JohnathanS@csbsigns.com <small>This artwork and design is owned by Century Sign Builders unless expressly stated. Use of this document or the design shown here without permission is prohibited.</small>	Client / GC: Presbyterian PRESNow Project: 20190313 PRESNow Clinic Exterior APPROVAL REQUIRED FOR PRODUCTION	00/00/0000 <small>Sign Package Modification Date: June 13, 2019 12:42 PM</small>	00/00/0000	LOC 1.2 - B1 Graphic Layout	34
		SIGNATURE / DATE				

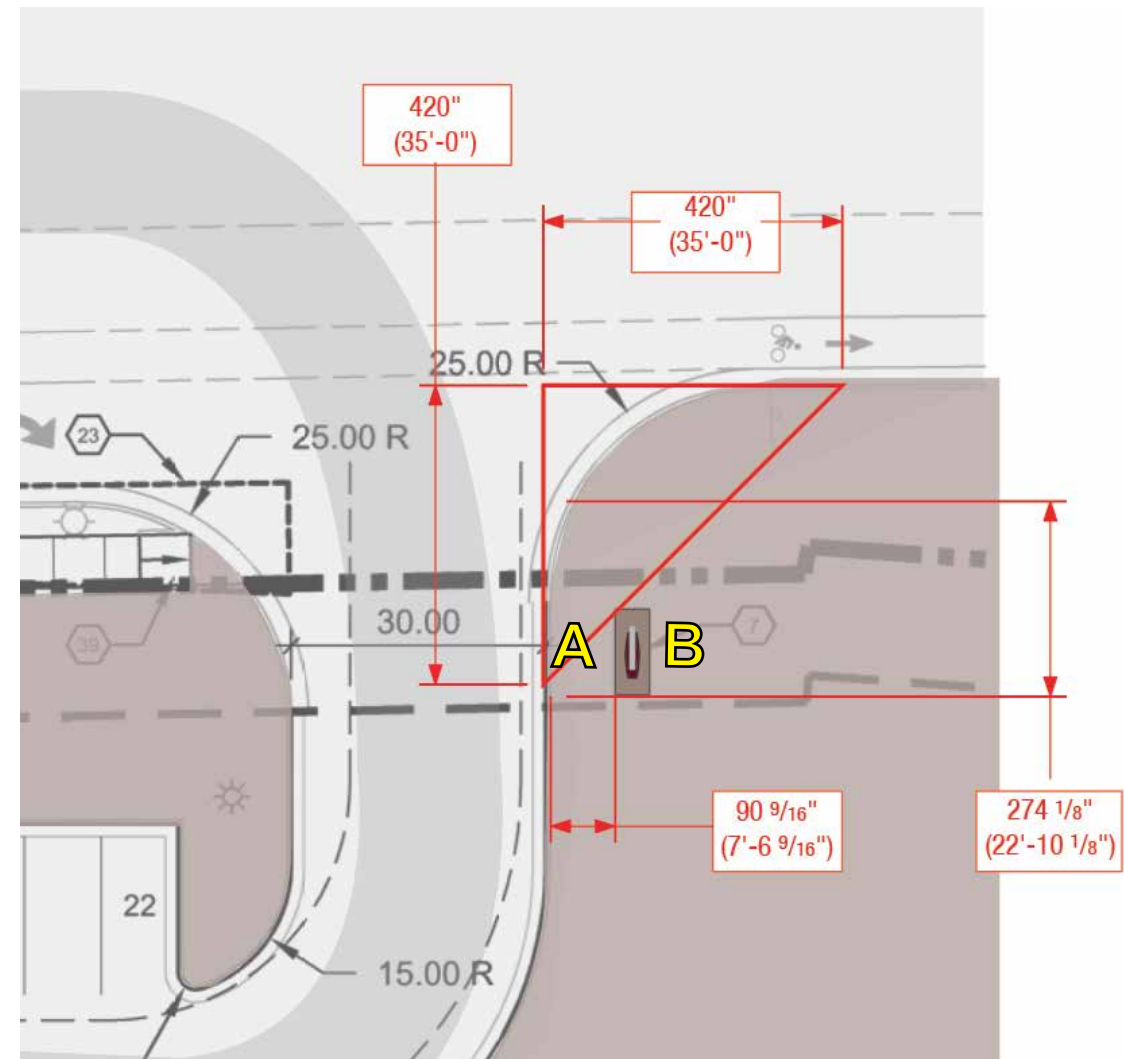




A MESSAGES
SCALE: NTS

B MESSAGES
SCALE: NTS

TBD



EXACT MEASUREMENTS TO COME

C PLACEMENT
SCALE: NTS

LOC A.3 (B.1) 1.2

D PHOTO OVERLAY
SCALE: NTS

EXACT MEASUREMENTS TO COME

PACKAGE Q:\Presbyterian\4515 Coors - PRESNow Clinic\20190313 PRESNow Clinic Exterior\Renderings, Submittals & PDFs\Submittals\20190315 PRESNow 4515 Exterior Sign Submittal

CONTACT	DRAWN BY	CLIENT / PROJECT	SUBMITTAL DATE	DRAWING REVISED DATE	SHEET TITLE	SHEET
Albuquerque / Phoenix P 505.888.2901 ext 104 F 505.888.2902 csbsigns.com	Johnathan Sylversmythe JohnathanS@csbsigns.com <small>This artwork and design is owned by Century Sign Builders unless expressly stated. Use of this document or the design shown here without permission is prohibited.</small>	Client / GC: Presbyterian PRESNow Project: 20190313 PRESNow Clinic Exterior APPROVAL REQUIRED FOR PRODUCTION	00/00/0000 <small>Sign Package Modification Date: June 13, 2019 12:42 PM</small>	00/00/0000	LOC 1.2 - B1 Location and Placement	35
		SIGNATURE / DATE				



Sign Type A.3

1. MAIN CABINET - DOUBLE SIDED

CURVED FACE
 Size: 55" H x 63" W x 20" D
 Fabrication: Aluminum Frame
 Returns: 13" deep .125" Aluminum
 Retainers: 2" Flush with returns
 with countersunk screws
 Face: 3/16" Transl White Polycarbonate
 with Vinyl Graphics
 Paint: Matthews Paint System
 to Match 3M Transl Vinyl #3630-49 Burgundy
 Sheen: Satin
 Illumination: Internal with White LED

2. ACCENT ELEMENT

Fabrication: Aluminum Frame
 Returns: 8" deep
 Retainers: 2"
 Dividers: 2"
 Face & Returns: 3/16" Transl White Polycarb
 Paint: Matthews Paint System
 to Match 3M Transl Vinyl#3630-51 Silver Gray
 Sheen: Satin
 Illumination: Internal with White LED

3. GRAPHIC PANELS



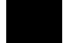
Substrate: 3/16" Transl Polycarbonate
 Vinyl Graphics: 3M Translucent Vinyl
 Colors: 3M#3630-49 Burgundy
 & 3M#3630-51 Silver Gray
 Applied First Surface
 Letters to be white as shown on
 polycarbonated face
 Logo: Custom EPS provided by client

A: PRES Now:
 Font: Custom Outline Logo
 Height: 6"
 Visibility Distance Still: 150'
 Driving Visibility: 4'



B: 24/7 Urgent and Emergency Care:
 Font: Custom Outline Logo
 Height: 2 7/8"
 Text Visibility Distance Still: 62' - 75'
 Driving Visibility: 4'

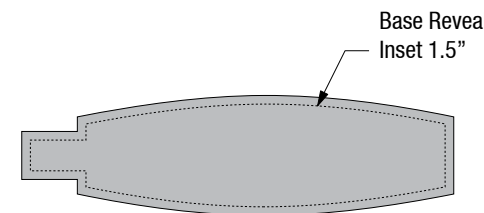
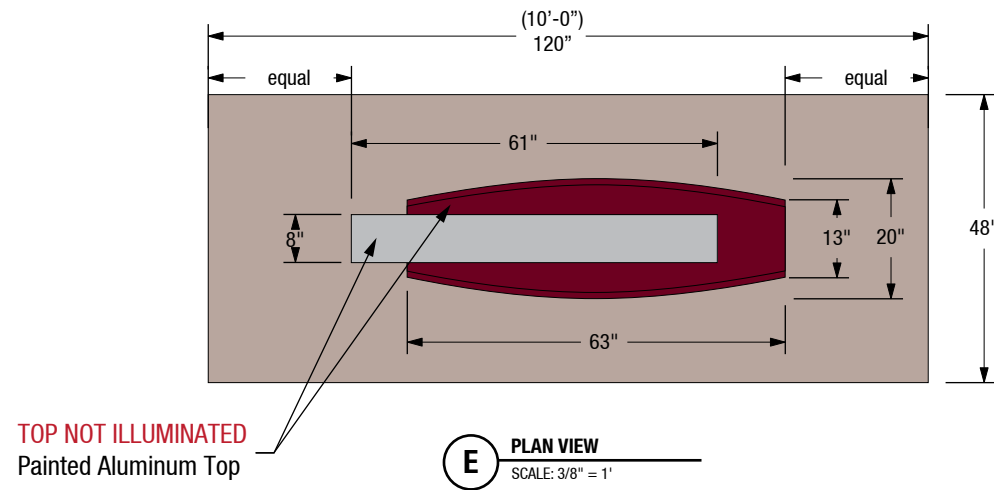
C: A Department of ...:
 Font: Avenir 55 Roman Italic
 Height: 2"
 Visibility Distance Still: 50'
 Driving Visibility: 4'

Paint Colors

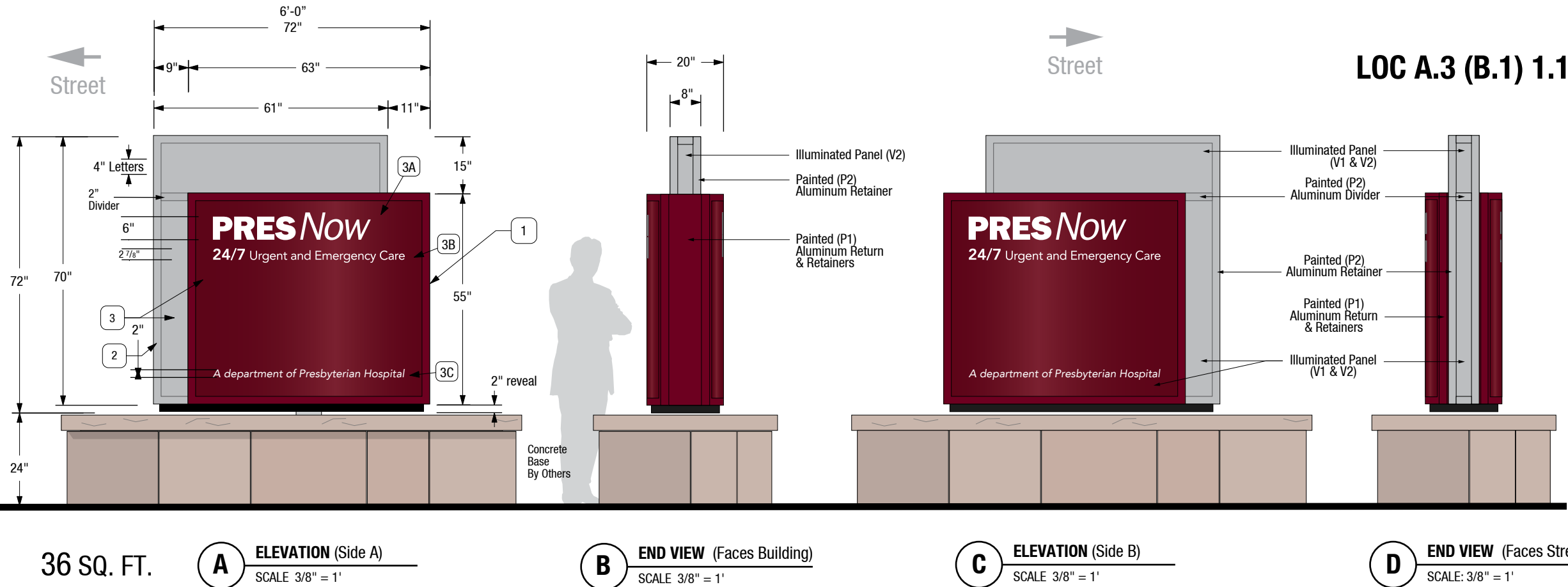
	P1	Color: Matthews Paint System Paint to match 3M Translucent Vinyl #3630-49 Burgundy
	P2	Color: Matthews Paint System Paint to match 3M Translucent Vinyl #3630-51 Silver Gray
	P3	Color: Matthews Paint System Black

Vinyl Colors

	V1	Color: 3M Translucent Vinyl #3630-49 Burgundy applied to substrate.
	V2	Color: 3M Translucent Vinyl #3630-51 Silver Gray applied to substrate.



TOP NOT ILLUMINATED
Painted Aluminum Top



LOC A.3 (B.1) 1.1

PACKAGE Q:\Presbyterian\4515 Coors - PRESNow Clinic\20190313 PRESNow Clinic Exterior\Renderings, Submittals & PDFs\Submittals\20190315 PRESNow 4515 Exterior Sign Submittal

CONTACT	DRAWN BY	CLIENT / PROJECT	SUBMITTAL DATE	DRAWING REVISED DATE	SHEET TITLE	SHEET
Albuquerque / Phoenix P 505.888.2901 ext 104 F 505.888.2902 csbsigns.com	Johnathan Sylversmythe JohnathanS@csbsigns.com This artwork and design is owned by Century Sign Builders unless expressly stated. Use of this document or the design shown here without permission is prohibited.	Client / GC: Presbyterian PRESNow Project: 20190313 PRESNow Clinic Exterior APPROVAL REQUIRED FOR PRODUCTION	00/00/0000 Sign Package Modification Date: June 13, 2019 12:42 PM	00/00/0000	LOC 1.1 - B1 Design and Specification	36

Sign Type A.3

1. GRAPHIC PANELS

Substrate: 3/16" Transl Polycarbonate
 Vinyl Graphics: 3M Translucent Vinyl
 Colors: 3M#3630-49 Burgundy
 & 3M#3630-51 Silver Gray
 Burgundy Logo with (1/16" Trap)
 Applied First Surface
 Letters to be white as shown on
 polycarbonated face
 Logo: Custom EPS provided by client

A: PRES Now:
 Font: Custom Outline Logo
 Height: 6"
 Visibility Distance Still: 150'
 Driving Visibility: 4'

B: 24/7 Urgent and Emergency Care:
 Font: Custom Outline Logo
 Height: 2 7/8"
 Text Visibility Distance Still: 62' - 75'
 Driving Visibility: 4'

C: A Department of ...:
 Font: Avenir 55 Roman Italic
 Height: 2"
 Visibility Distance Still: 50'
 Driving Visibility: 4'



A **CAMPUS DIRECTIONAL**
 SCALE: 3/4" = 1'

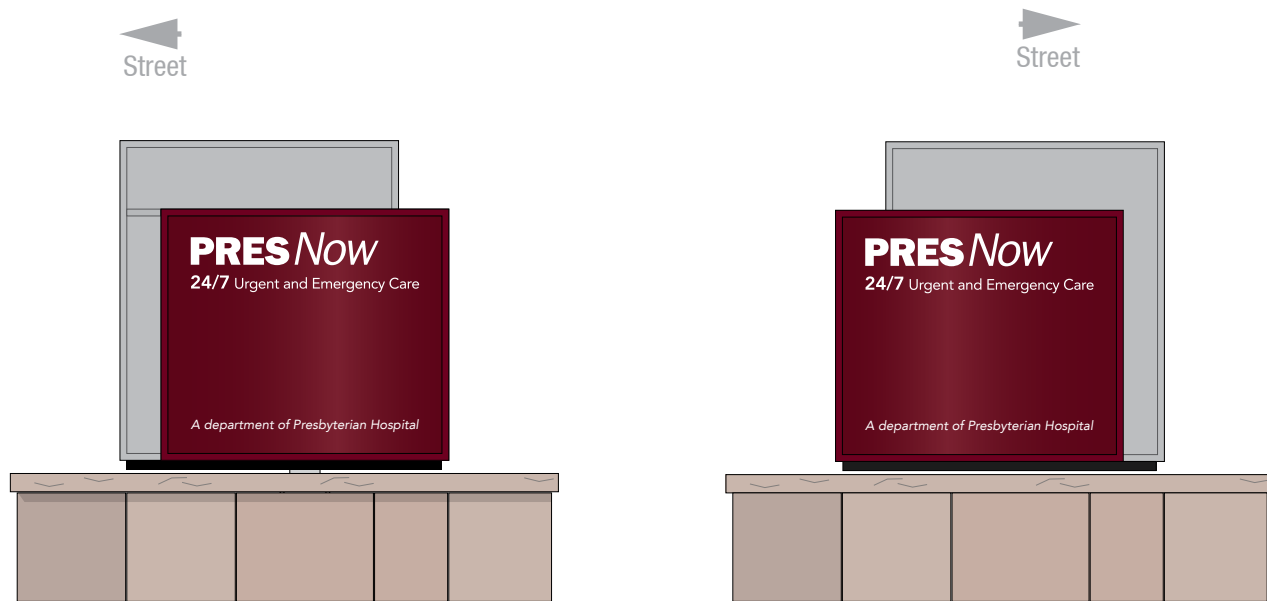
LOC A.3 (B.1) 1.1

See design intent rendering for complete sign specifications.

PACKAGE Q:\Presbyterian\4515 Coors - PRESNow Clinic\20190313 PRESNow Clinic Exterior\Renderings, Submittals & PDFs\Submittals\20190315 PRESNow 4515 Exterior Sign Submittal

CONTACT	DRAWN BY	CLIENT / PROJECT	SUBMITTAL DATE	DRAWING REVISED DATE	SHEET TITLE	SHEET
Albuquerque / Phoenix P 505.888.2901 ext 104 F 505.888.2902 csbsigns.com	Johnathan Sylversmythe JohnathanS@csbsigns.com <small>This artwork and design is owned by Century Sign Builders unless expressly stated. Use of this document or the design shown here without permission is prohibited.</small>	Client / GC: Presbyterian PRESNow Project: 20190313 PRESNow Clinic Exterior APPROVAL REQUIRED FOR PRODUCTION	00/00/0000 <small>Sign Package Modification Date: June 13, 2019 12:42 PM</small>	00/00/0000	LOC 1.1 - B1 Graphic Layout	37
		SIGNATURE / DATE				



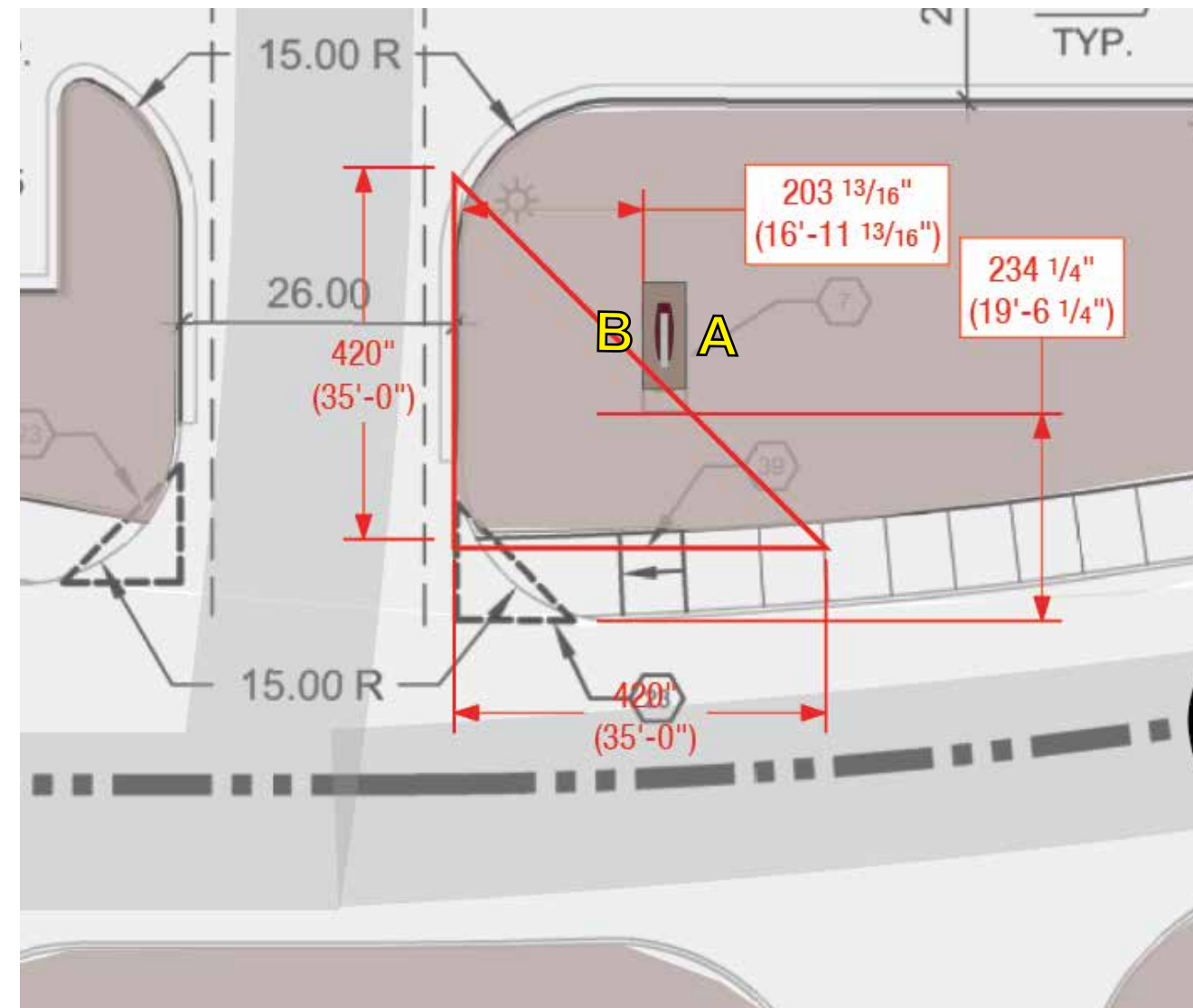


A MESSAGES
SCALE: NTS

B MESSAGES
SCALE: NTS



D PHOTO OVERLAY
SCALE: NTS EXACT MEASUREMENTS TO COME



EXACT MEASUREMENTS TO COME

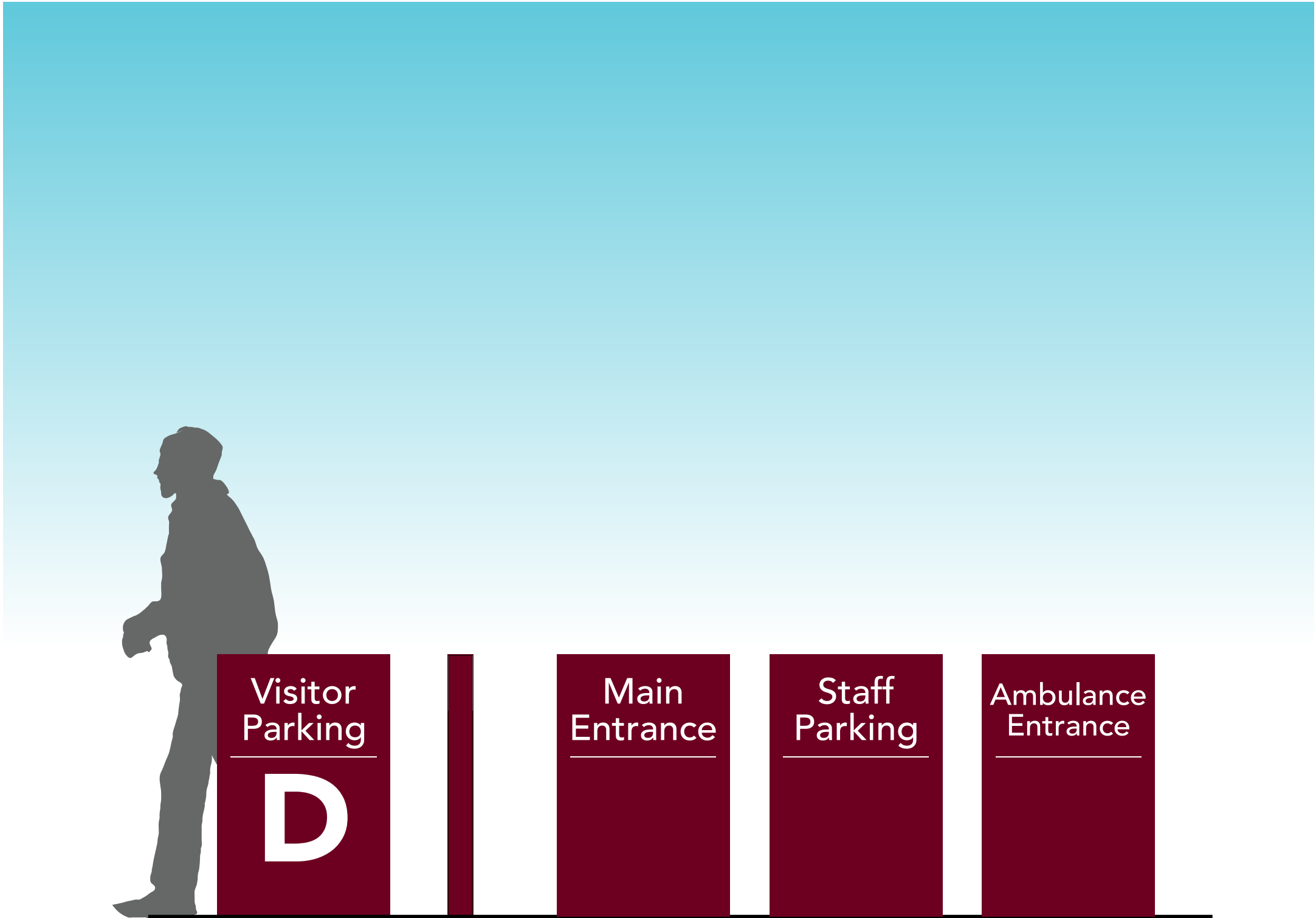
C PLACEMENT
SCALE: NTS

LOC A.3 (B.1) 1.1

PACKAGE Q:\Presbyterian\4515 Coors - PRESNow Clinic\20190313 PRESNow Clinic Exterior\Renderings, Submittals & PDFs\Submittals\20190315 PRESNow 4515 Exterior Sign Submittal

CONTACT	DRAWN BY	CLIENT / PROJECT	SUBMITTAL DATE	DRAWING REVISED DATE	SHEET TITLE	SHEET
Albuquerque / Phoenix P 505.888.2901 ext 104 F 505.888.2902 csbsigns.com	Johnathan Sylversmythe JohnathanS@csbsigns.com <small>This artwork and design is owned by Century Sign Builders unless expressly stated. Use of this document or the design shown here without permission is prohibited.</small>	Client / GC: Presbyterian PRESNow Project: 20190313 PRESNow Clinic Exterior APPROVAL REQUIRED FOR PRODUCTION	00/00/0000 <small>Sign Package Modification Date: June 13, 2019 12:42 PM</small>	00/00/0000	LOC 1.1 - B1 Location and Placement	38
		SIGNATURE / DATE				





39

Exterior Sign Type H.1

General Contractor: TBD
Project: TBD
Developed By: Century Sign Builders

Sign Type H1

Product Line: Post and Panel
Description: Non Illuminated Double Sided Post & Panel Monolith Style

QUANTITY - 13

SIGN AND GRAPHIC SPECIFICATIONS

Overall Square Footage of Sign Above Grade
6 Sq Feet

1. SIGN PANEL FACE

Skin Runs 3" Below Grade (Landscape)
Size: (2) 39" x 23.6875" (36" AFF)
Material: .090" Thick Aluminum Sheet
Mount to Post & Frame: w/ 3M VHB Tape
Paint/Finish: (P1) Burgundy / See Finish Below
Additional Clear Top Coat: None

2. SIGN BODY FRAME

Overall Size: 39" x 20.125"
Body Type: 3.25" Depth Frameless Body
Material: Extruded Aluminum
Fabrication: Miter Corners w/Corner Keys, Corner Keys Set w/ Liquid Weld
Paint/Finish: (P1) Burgundy / See Finish Below
Additional Clear Top Coat: None

3. SIGN POST & REVEAL

Post Type: Rectangle 1.75" x 3.25"
Material: Extruded Aluminum
Post Length: (2) 55" L
Above Grade: 36"
Below Grade: 19"
Mount to Frame: w/ #10 Metal Screws
Paint/Finish: (P1) Burgundy / See Finish Key
Additional Clear Top Coat: None

4. SIGN GRAPHICS

Material: (V4) White Reflective Vinyl
Typography Alignment: Center
A. Designation Font: Avenir LT 65 Medium
Cap Height: 3.5"
Line Spacing: 5" (Baseline to Baseline)
Visibility Distance: 101'
B. Lot ID Font: Avenir LT 65 Medium Bold
Cap Height: 12"
Visibility Distance: 348'
C. Rule Size: .125" x 20"

P1 PAINT

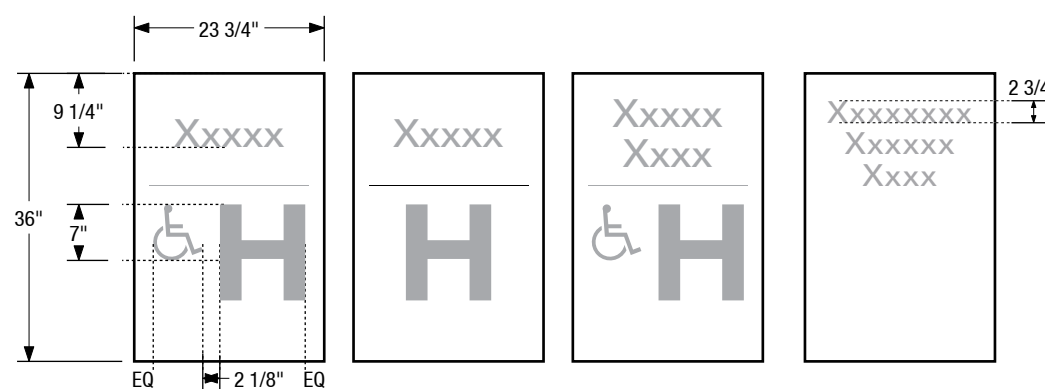
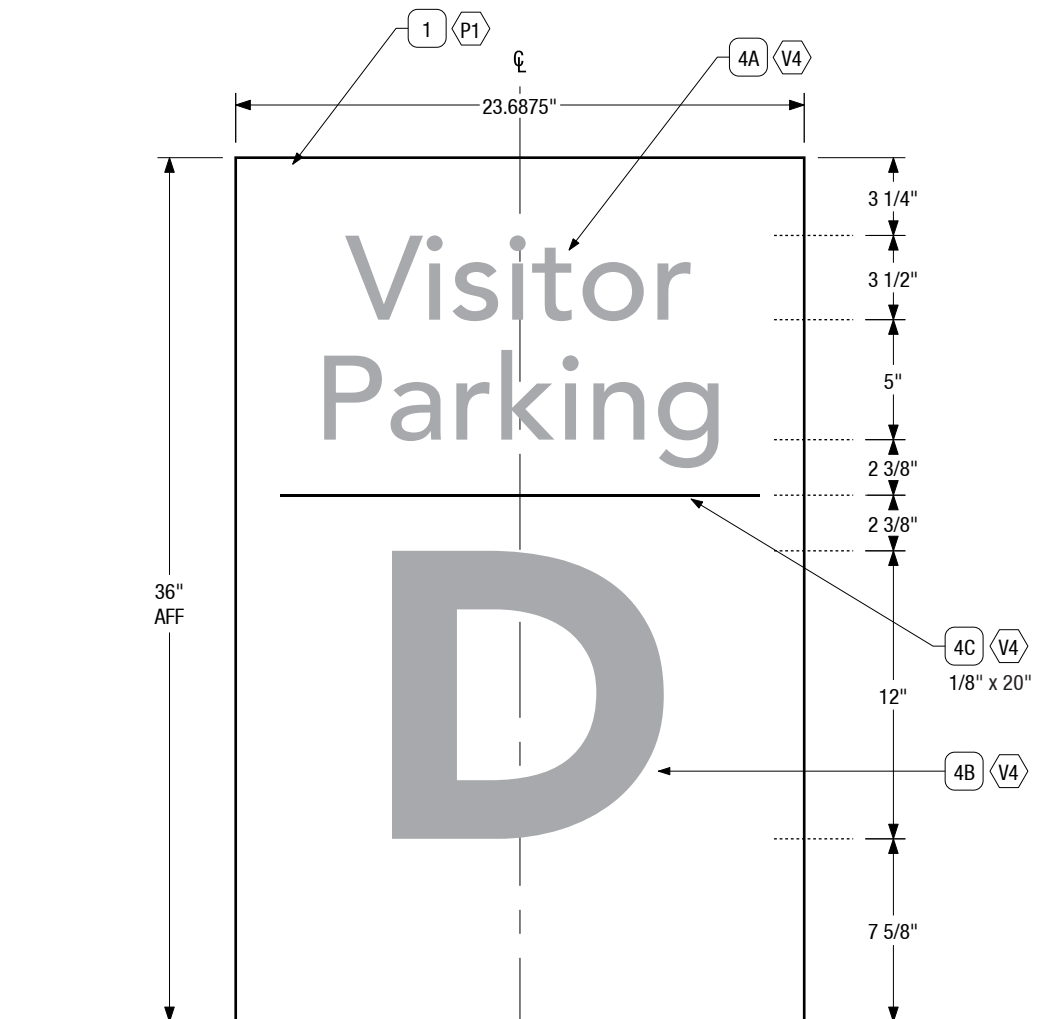
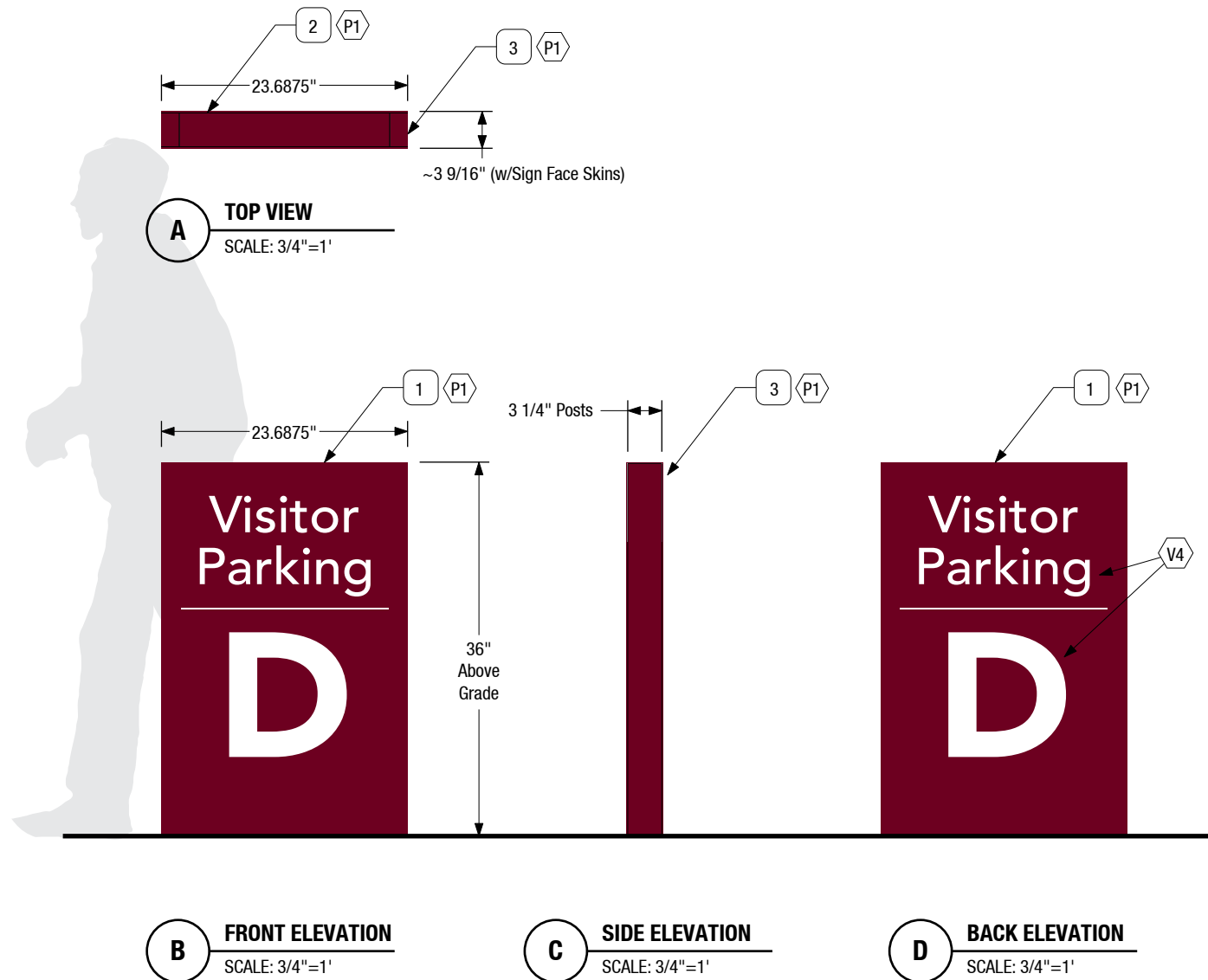
Matthews Paint System
Product No: MAP Number 2116 / Color System
Number 3630-49 - Burgundy
Note: Paint to Match 3M Scotchcal 3630-49
Finish Sheen: Satin

V4 VINYL

Series: 3M Scotchlite Reflective Graphic Film
Color: #5100-10 Reflective Vinyl
Application: First Surface

Fabrication Notes

See Construction Document Sheet for Complete Specifications of Sizes, Materials, Fasteners, Part Numbers, and Part Quantities



PACKAGE Q:\Presbyterian\4515 Coors - PRENow Clinic\20190313 PRENow Clinic Exterior\Renderings, Submittals & PDFs\Submittals\20190315 PRENow 4515 Exterior Sign Submittal

CONTACT	DRAWN BY	CLIENT / PROJECT	SUBMITTAL DATE	DRAWING REVISED DATE	SHEET TITLE	SHEET
Albuquerque / Phoenix P 505.888.2901 ext 104 F 505.888.2902 csbsigns.com	Johnathan Sylversmythe JohnathanS@csbsigns.com This artwork and design is owned by Century Sign Builders unless expressly stated. Use of this document or the design shown here without permission is prohibited.	Client / GC: Presbyterian PRENow Project: 20190313 PRENow Clinic Exterior	00/00/0000 Sign Package Modification Date: June 13, 2019 12:42 PM	00/00/0000	Design and Specification	40
		APPROVAL REQUIRED FOR PRODUCTION	SIGNATURE / DATE			



Sign Type H1

STANDARD FOOTING SPECIFICATIONS

Overall Square Footage of Sign Above Grade
6 Sq Feet

- 1. SIGN**
Face Size Total: 39" x 23.6875"
Face Above Grade: 36" x 23.6875"
Post Length Total: 55" L
Post Below Grade: 19" L

- 2. POST HOLE**
Size: (2) 8" Dia x 20" Deep

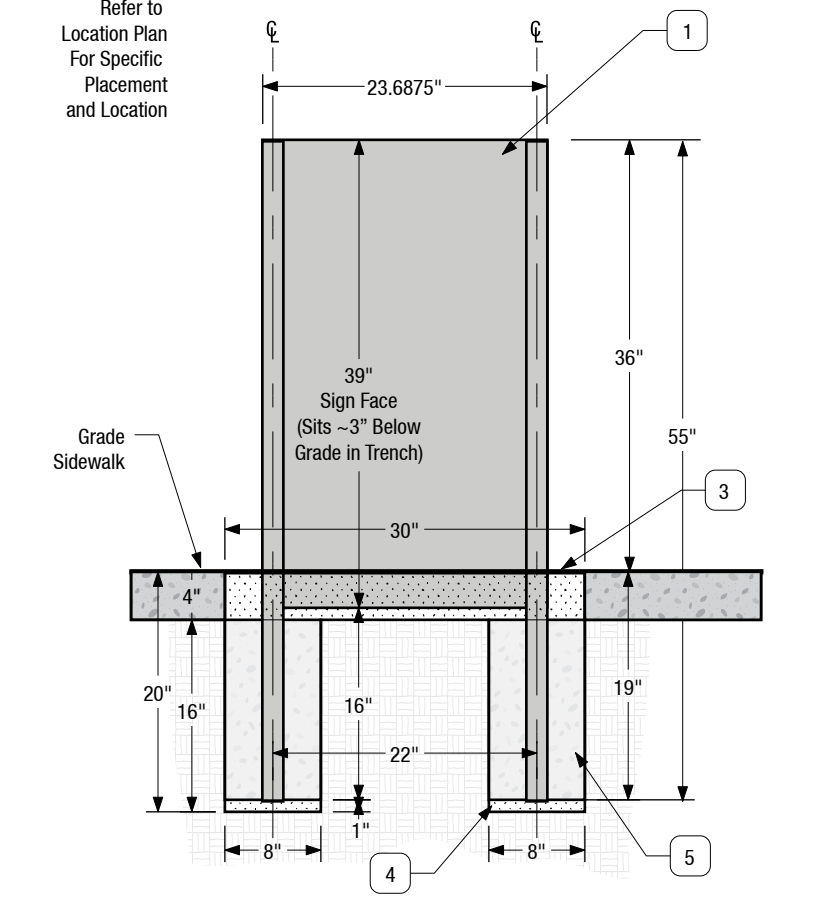
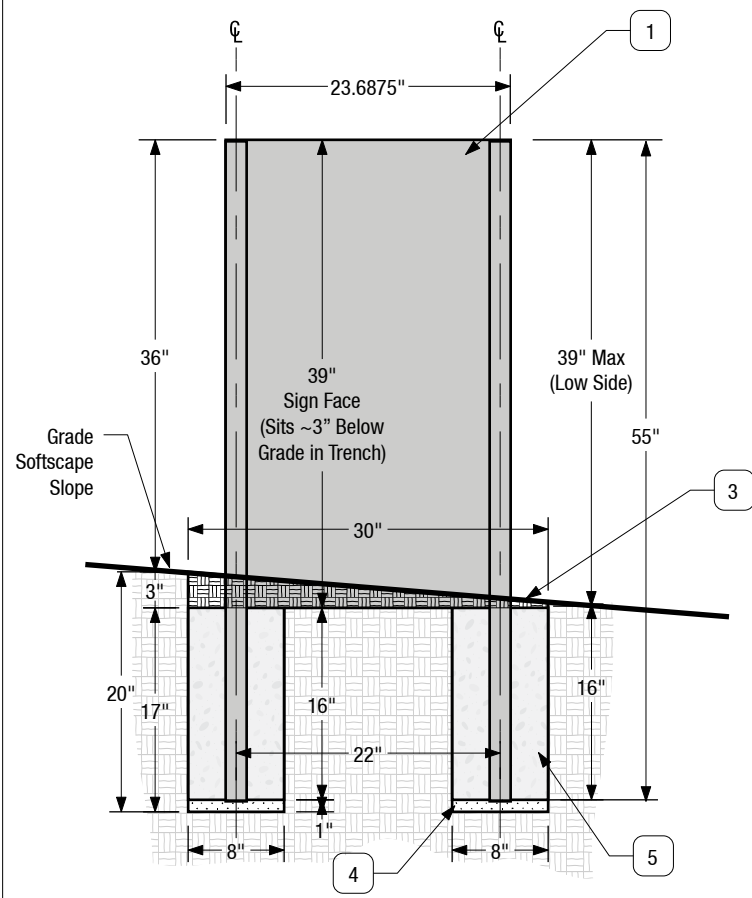
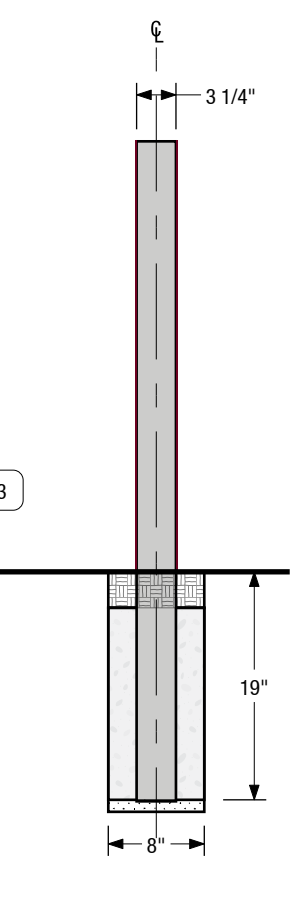
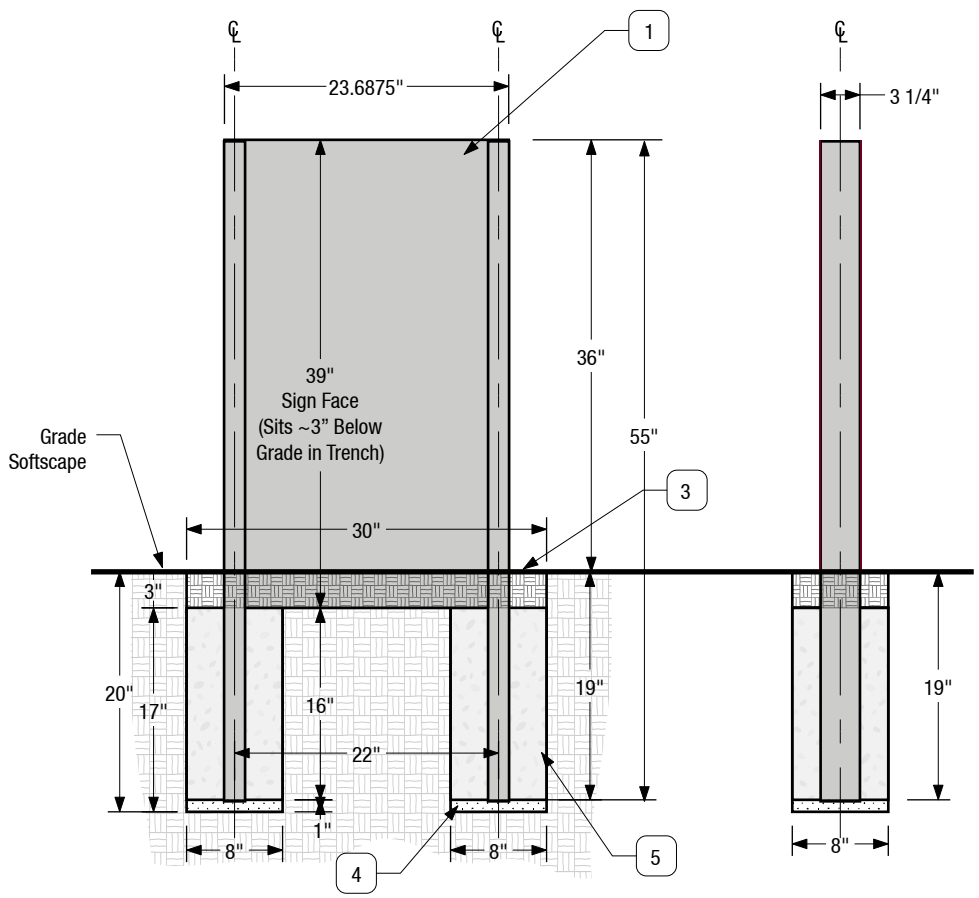
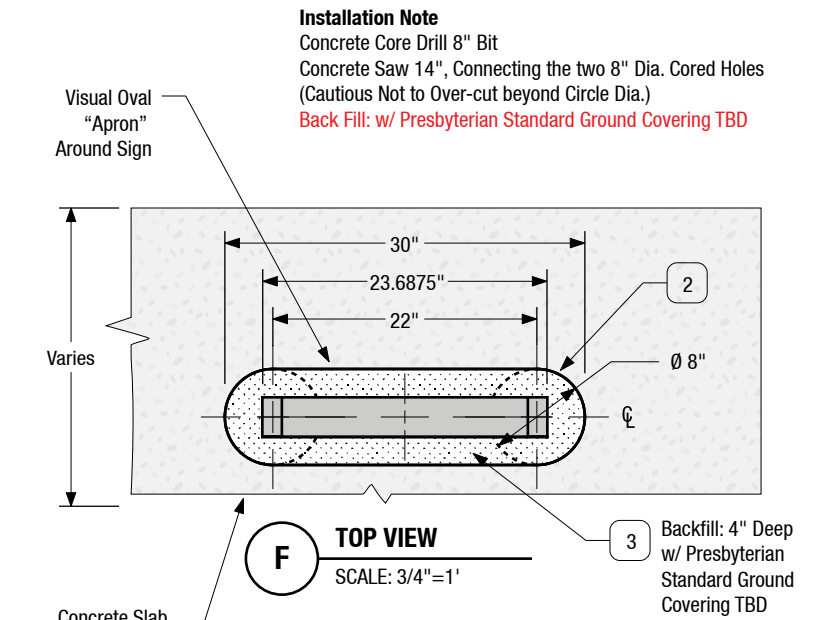
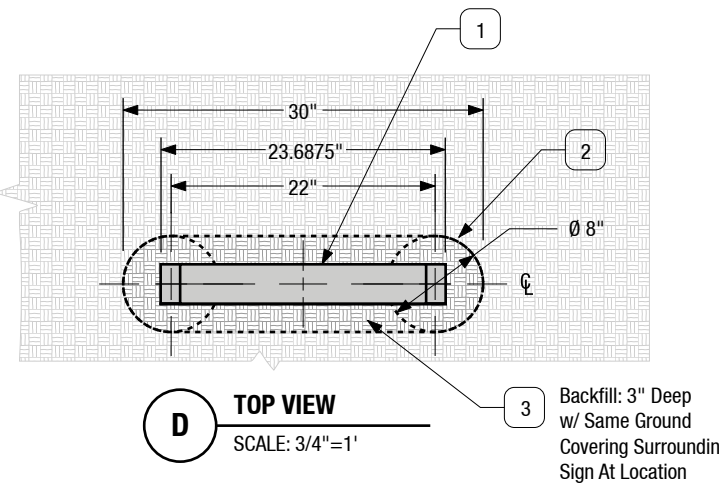
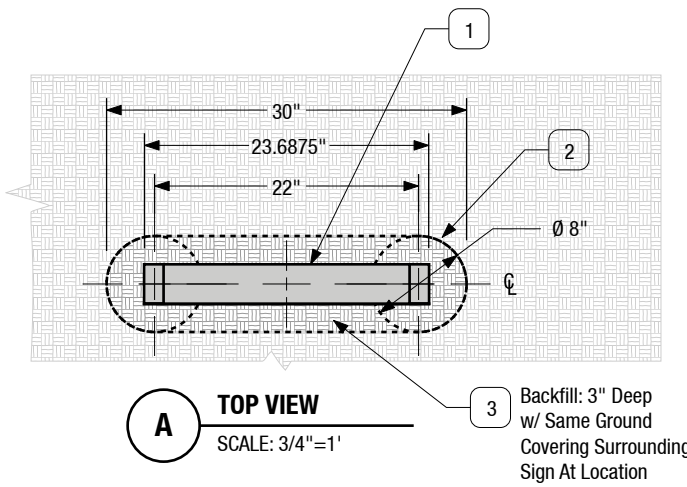
- 3. TRENCH**
Size: (1) 8" x 30" x Refer to Drawing
Condition 1 Backfill: 3" Deep w/ Same Ground Covering Surrounding Sign At Location
Condition 2 Backfill: 3" Deep w/ Same Ground Covering Surrounding Sign At Location
Condition 3 Backfill: 4" Deep w/ Presbyterian Standard Ground Covering TBD

- 4. CRUSHED ROCK.**
Fill Bottom of Post Hole: 1" Crushed Rock
Crushed Rock: QUIKRETE 50-lb Drainage Rock All-Purpose Gravel (No. 1151) or EQ

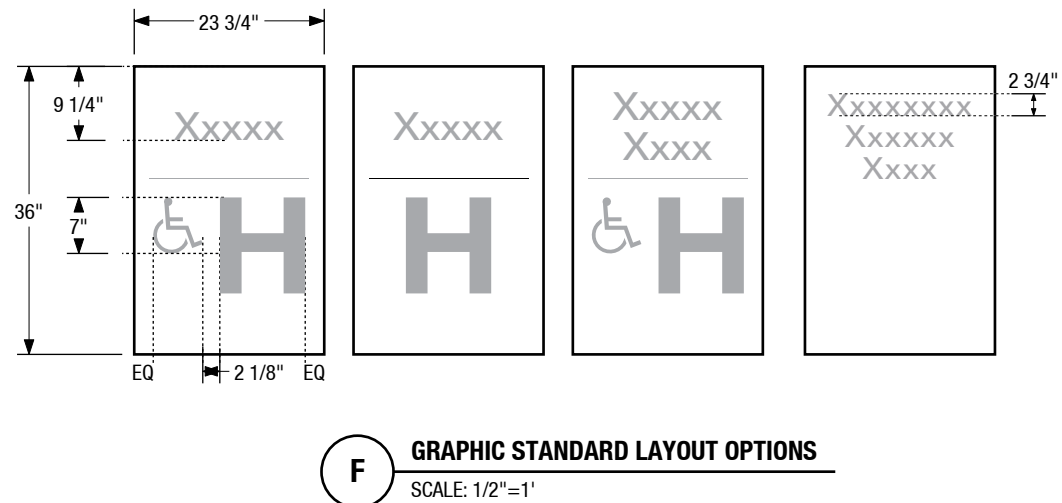
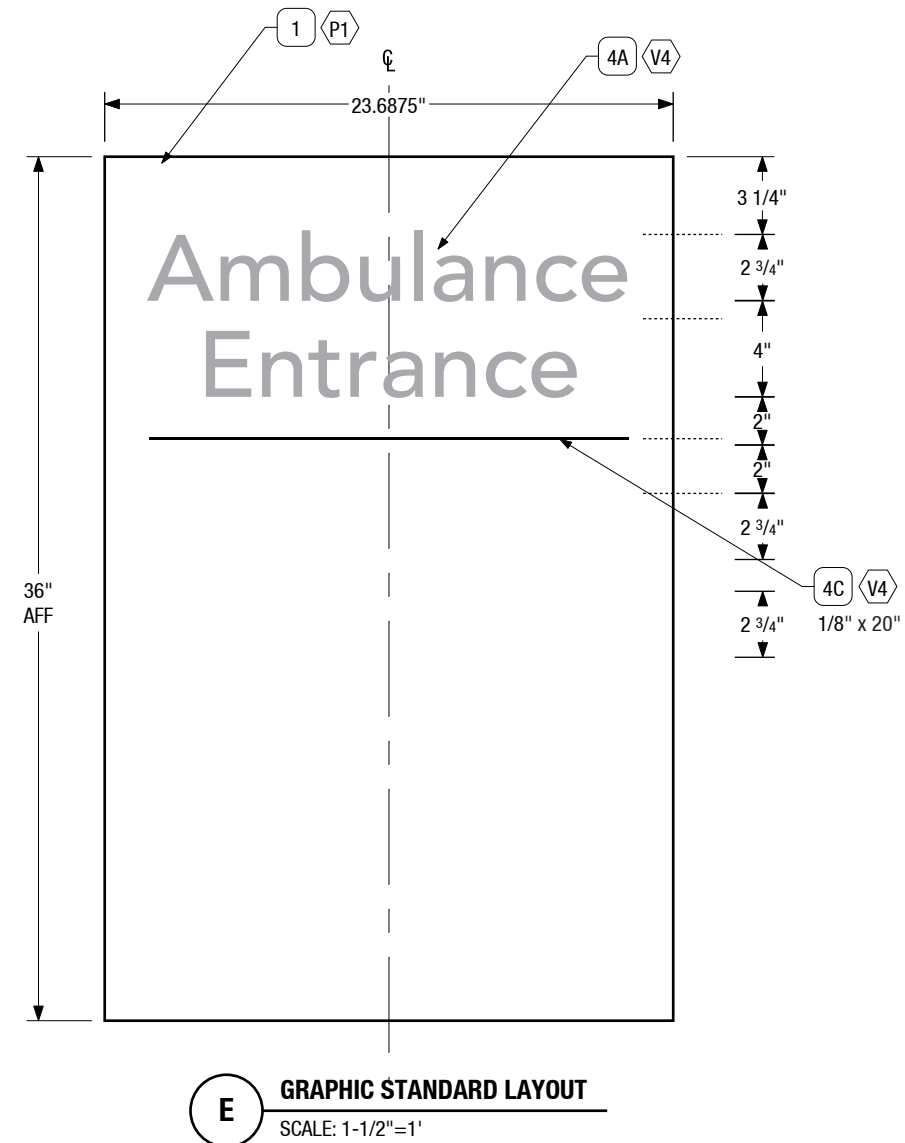
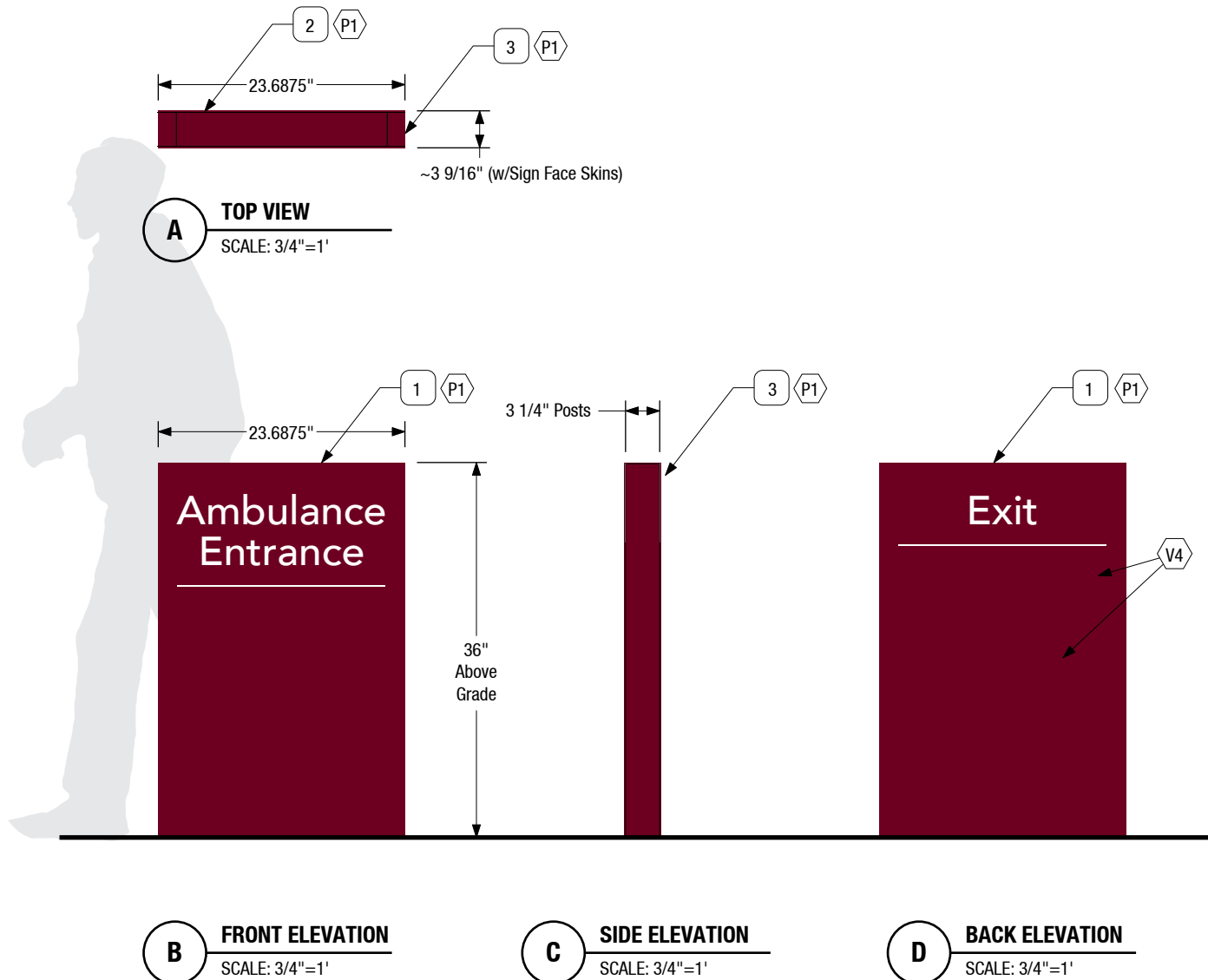
- 5. CONCRETE**
Fill Post Hole: (2) 8" Dia x 16" Pier Footings
Direct Embedment: Cast Poles 16" Deep
Concrete: (2) QUIKRETE 50-lb Fast Setting Concrete Mix (No. 100450) 4,000-PSI

Installation Note

Concrete Core Drill 8" Bit
Concrete Saw 14", Connecting the two 8" Dia. Cored Holes
(Cautious Not to Over-cut beyond Circle Dia.)
Back Fill: w/ Presbyterian Standard Ground Covering TBD



LOC H.1 1.0



Sign Type H1

Product Line: Post and Panel
Description: Non Illuminated Double Sided Post & Panel Monolith Style

QUANTITY - 3

SIGN AND GRAPHIC SPECIFICATIONS

Overall Square Footage of Sign Above Grade
6 Sq Feet

1. SIGN PANEL FACE

Skin Runs 3" Below Grade (Landscape)
Size: (2) 39" x 23.6875" (36" AFF)
Material: .090" Thick Aluminum Sheet
Mount to Post & Frame: w/ 3M VHB Tape
Paint/Finish: (P1) Burgundy / See Finish Below
Additional Clear Top Coat: None

2. SIGN BODY FRAME

Overall Size: 39" x 20.125"
Body Type: 3.25" Depth Frameless Body
Material: Extruded Aluminum
Fabrication: Miter Corners w/Corner Keys, Corner Keys Set w/ Liquid Weld
Paint/Finish: (P1) Burgundy / See Finish Below
Additional Clear Top Coat: None

3. SIGN POST & REVEAL

Post Type: Rectangle 1.75" x 3.25"
Material: Extruded Aluminum
Post Length: (2) 55" L
Above Grade: 36"
Below Grade: 19"
Mount to Frame: w/ #10 Metal Screws
Paint/Finish: (P1) Burgundy / See Finish Key
Additional Clear Top Coat: None

4. SIGN GRAPHICS

Material: (V4) White Reflective Vinyl
Typography Alignment: Center
A. Designation Font: Avenir LT 65 Medium
Cap Height: 2.75"
Line Spacing: 4" (Baseline to Baseline)
Visibility Distance: 79'
B. Lot ID Font: **NO LOT ID** Avenir LT 65 Medium Bold
Cap Height: 12"
Visibility Distance: 348'
C. Rule Size: .125" x 20"

(P1) PAINT
Matthews Paint System
Product No: MAP Number 2116 / Color System Number 3630-49 - Burgundy
Note: Paint to Match 3M Scotchcal 3630-49
Finish Sheen: Satin

(V4) VINYL
Series: 3M Scotchlite Reflective Graphic Film
Color: #5100-10 Reflective Vinyl
Application: First Surface

Fabrication Notes
See Construction Document Sheet for Complete Specifications of Sizes, Materials, Fasteners, Part Numbers, and Part Quantities



CONTACT	DRAWN BY	CLIENT / PROJECT	SUBMITTAL DATE	DRAWING REVISED DATE	SHEET TITLE	SHEET
Albuquerque / Phoenix P 505.888.2901 ext 104 F 505.888.2902 csbsigns.com	Johnathan Sylversmythe JohnathanS@csbsigns.com This artwork and design is owned by Century Sign Builders unless expressly stated. Use of this document or the design shown here without permission is prohibited.	Client / GC: Presbyterian PRENow Project: 20190313 PRENow Clinic Exterior	00/00/0000 Sign Package Modification Date: June 13, 2019 12:42 PM	00/00/0000	LOC 1.0 - H1 Design and Specification	43
		APPROVAL REQUIRED FOR PRODUCTION	SIGNATURE / DATE			

Sign Type H1

Product Line: Post and Panel
Description: Non Illuminated Double Sided Post & Panel Monolith Style

QUANTITY - 3

SIGN AND GRAPHIC SPECIFICATIONS

Overall Square Footage of Sign Above Grade
6 Sq Feet

1. SIGN GRAPHICS

- Material: (V4) White Reflective Vinyl
- Typography Alignment: Center
- A. Designation Font: Avenir LT 65 Medium
- Cap Height: 2.75"
- Line Spacing: 4" (Baseline to Baseline)
- Visibility Distance: 72'
- B. Lot ID Font: **NO LOT ID** Avenir LT 65 Medium Bold
- Cap Height: 12"
- Visibility Distance: 348'
- C. Rule Size: .125" x 20"

(P1) PAINT

Matthews Paint System
Product No: MAP Number 2116 / Color System
Number 3630-49 - Burgundy
Note: Paint to Match 3M Scotchcal 3630-49
Finish Sheen: Satin

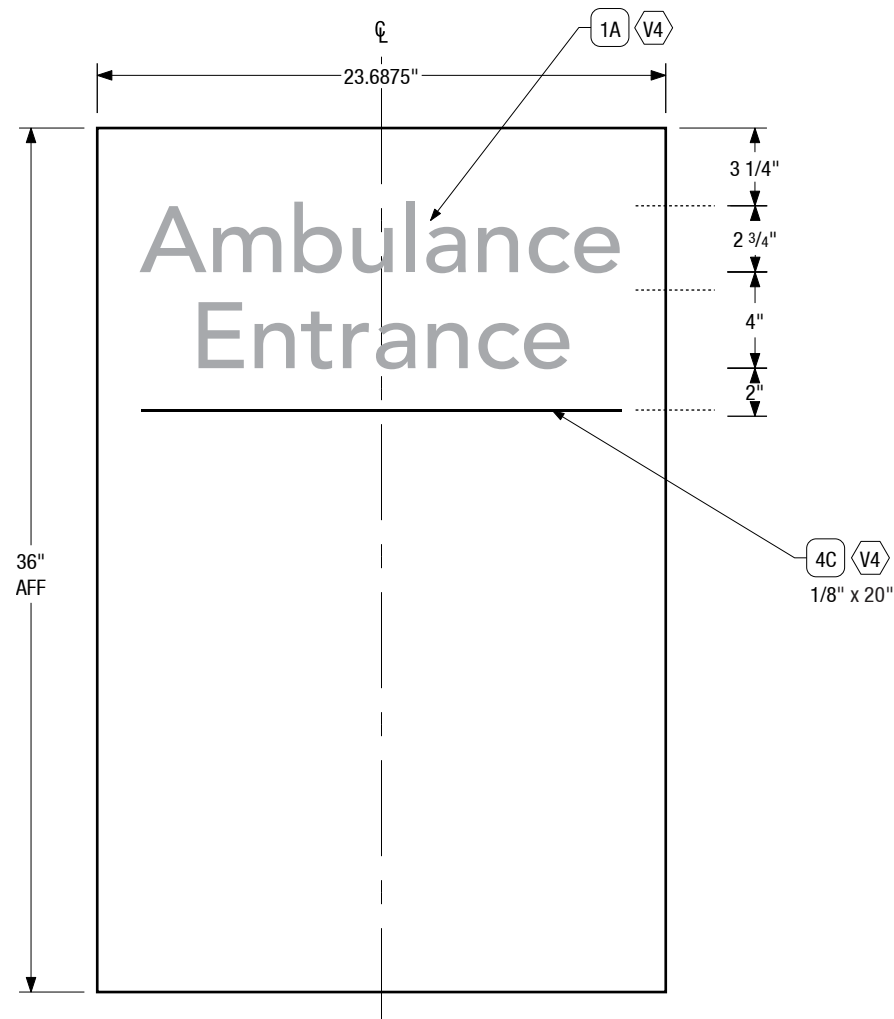
(V4) VINYL

Series: 3M Scotchlite Reflective Graphic Film
Color: #5100-10 Reflective Vinyl
Application: First Surface

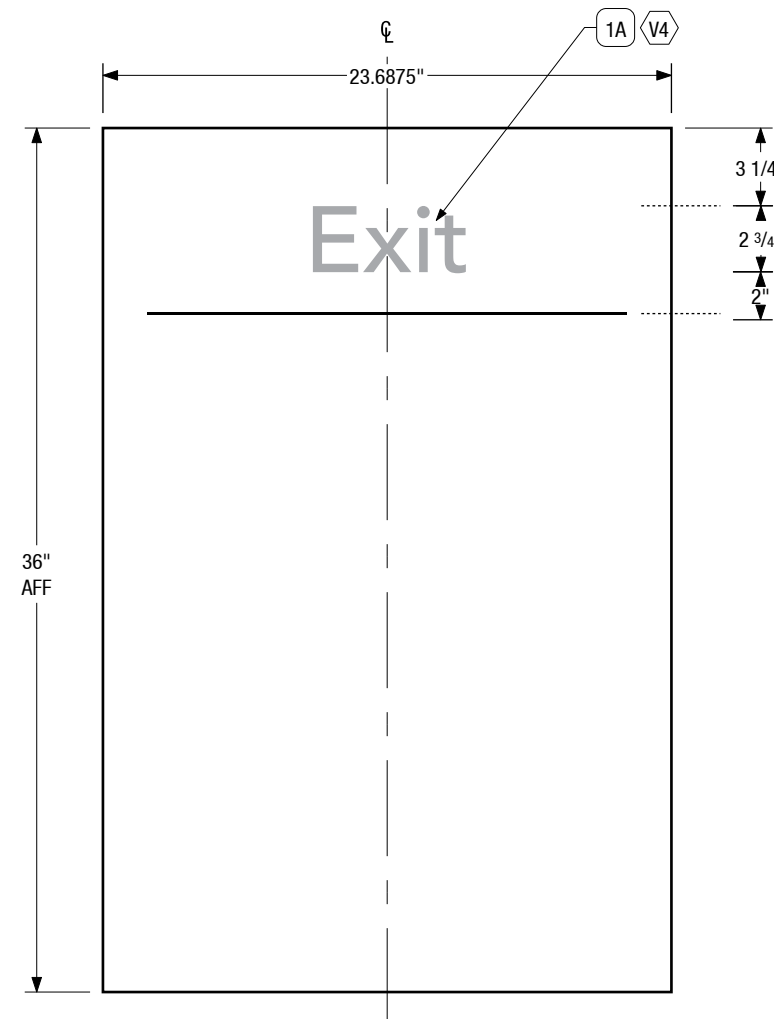
Fabrication Notes

See Construction Document Sheet for Complete Specifications of Sizes, Materials, Fasteners, Part Numbers, and Part Quantities

LOC H.1 1.0



A GRAPHIC STANDARD LAYOUT
SCALE: 1-1/2"=1'

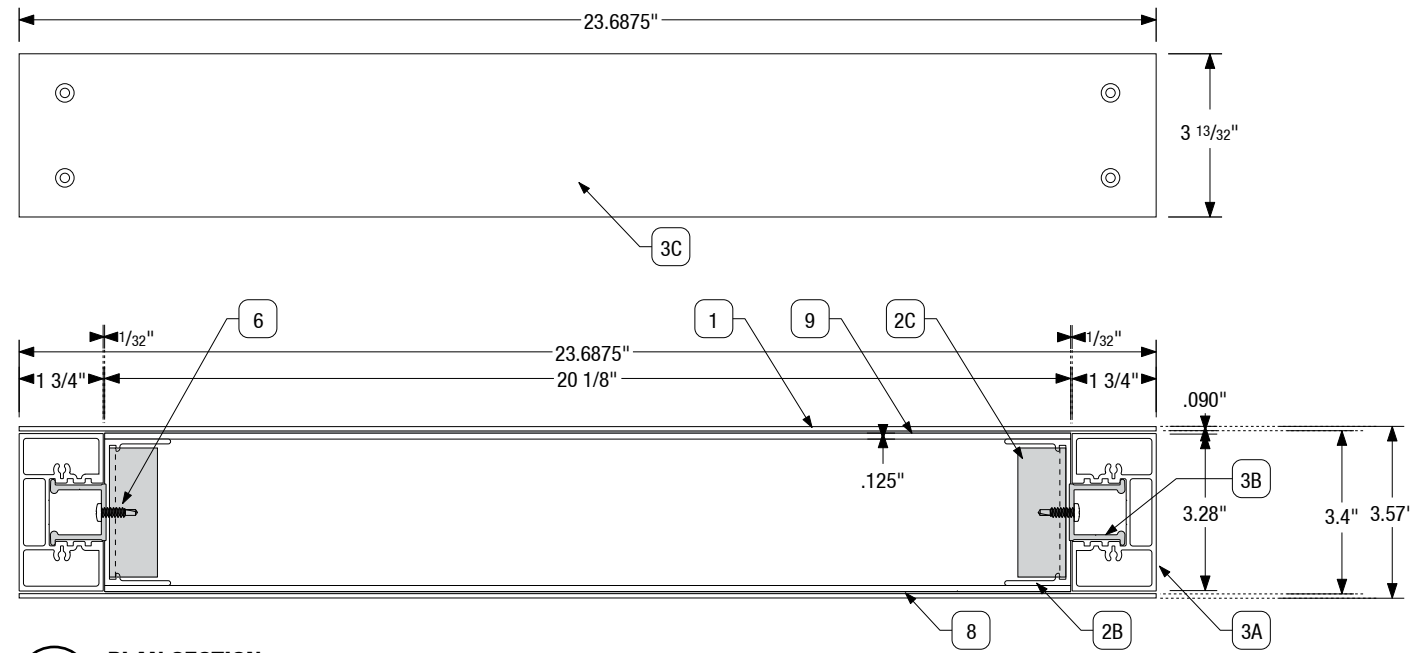


B GRAPHIC STANDARD LAYOUT
SCALE: 1-1/2"=1'

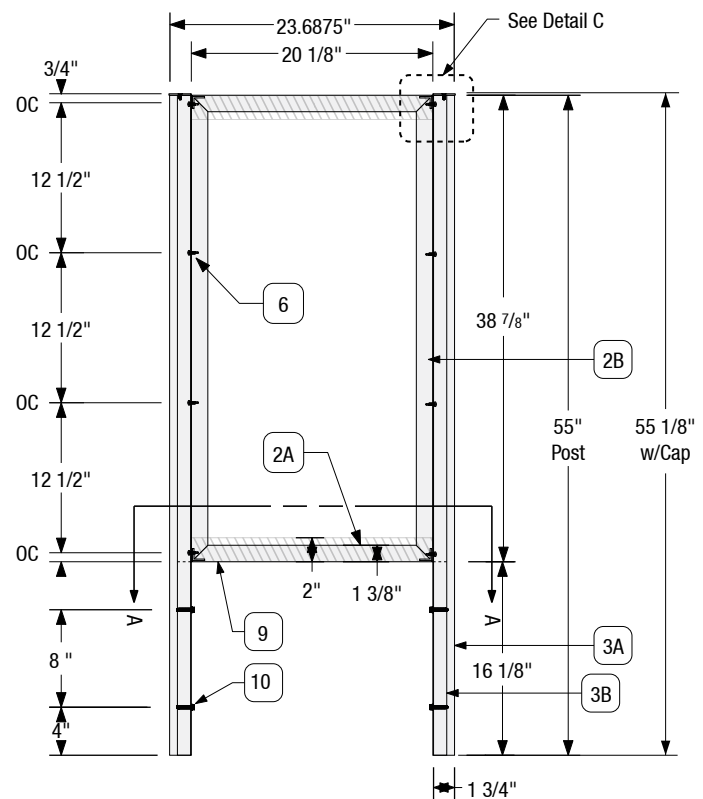


CONTACT	DRAWN BY	CLIENT / PROJECT	SUBMITTAL DATE	DRAWING REVISED DATE	SHEET TITLE	SHEET
Albuquerque / Phoenix P 505.888.2901 ext 104 F 505.888.2902 csbsigns.com	Johnathan Sylversmythe JohnathanS@csbsigns.com <small>This artwork and design is owned by Century Sign Builders unless expressly stated. Use of this document or the design shown here without permission is prohibited.</small>	Client / GC: Presbyterian PRENow Project: 20190313 PRENow Clinic Exterior APPROVAL REQUIRED FOR PRODUCTION	00/00/0000 <small>Sign Package Modification Date: June 13, 2019 12:42 PM</small>	00/00/0000	LOC 1.0 - H1 Graphic Layout	44

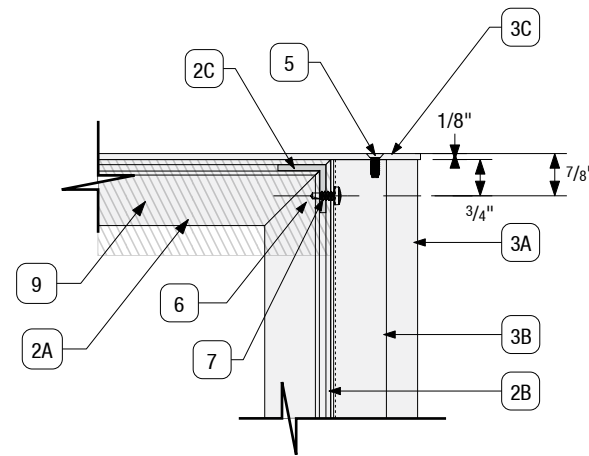
LOC H.1 1.0



A PLAN SECTION
SCALE: 3"=1'



B ELEVATION SECTION
SCALE: 3/4"=1'



C DETAIL SECTION
SCALE: 3"=1'

Fabrication Notes:
Post & Reveal Mounts 1/8" Down from Top Of Frame
Post Cap Should be Flush with Sign Frame
Screws to Hold Reveal Placed 3/4" OC From Top of Frame (5/8" OC on Reveal)

Sign Type H1

FABRICATION SPECIFICATIONS

- 1. SIGN PANEL FACE**
Size: (2) 39" x 23.6875"
Material: .090" Thick Aluminum Sheet
Mount to Post & Frame: w/ Item 8 Below
- 2. SIGN BODY FRAME**
Overall Size: 39" x 20.125"
Body Type: 3.25" Depth Frameless Body
Material: Extruded Aluminum
Fabrication: Miter 45° Angle Joints w/Corner Keys (.125 Aluminum Angle)
A. Frameless Body Top/Bot Length: (2) 20.125"
SignComp Part No: 1275
B. Frameless Body Sides Length: (2) 38.875" L
SignComp Part No: 1275
C. Aluminum Angle: (4) Corner Keys
SignComp Part No: 5337
Mount Angle to Frame: w/ Item 7 Below
- 3. SIGN POST**
Post Type: Rectangle 1.75" x 3.25"
Material: Extruded Aluminum
A. Post Length: (2) 55" L
SignComp Part No: 1220
B. Reveal Length: (2) 38.875" L + (2)16.125" L
SignComp Part No: 1200 (2 Sections)
Position Set: Zero
Mount to Frame: See Item 6 Below
C. Post Cap: (1) 23.6875" L x 3.40625" W
Aluminum 1/8" thick material with
Countersink Screw Holes Size: #10
- 4. SIGN GRAPHICS**
Refer to H1 Design/Spec Sheet for Complete Specifications on Graphics and Finishes
- 5. CAP SCREW**
Type: (4) Flat Head Stainless Steel
Square/Phillips Countersink Screw
Size: #10 x 1/2" L
SignComp Part No: 5040 or EQ (100 pp)
- 6. POST REVEAL SCREW**
Type: (8) Pan Head Stainless Steel
Square/Phillips Screw
Size: #10 x 1/2" L
SignComp Part No: 5218 or EQ (100 pp)
- 7. SCREW FOR L BRACKETS**
Type: 1/2" #10 Self Tapping Metal Screws
- 8. VHB TAPE**
Type: 3M VHB 4941(F), .045" Thick, 1" Wide
Over All Length Needed: 251 L In
- 9. SPACER**
Size: (4) 2" x 20.125"
Material: 1/8" Aluminum Flat Bar
Mount to Frame: w/ #8 Flat Head Metal
Screws Countersink #8 Holes
- 10. SCREW**
Type: (4) Unslotted Indented Hex Washer
Head #10 Metal Screw Self Tapping
Size: 5/16"-18 x 1-1/2"



CONTACT	DRAWN BY	CLIENT / PROJECT	SUBMITTAL DATE	DRAWING REVISED DATE	SHEET TITLE	SHEET
Albuquerque / Phoenix P 505.888.2901 ext 104 F 505.888.2902 csbsigns.com	Johnathan Sylversmythe JohnathanS@csbsigns.com This artwork and design is owned by Century Sign Builders unless expressly stated. Use of this document or the design shown here without permission is prohibited.	Client / GC: Presbyterian PRESNow Project: 20190313 PRESNow Clinic Exterior	00/00/0000 Sign Package Modification Date: June 13, 2019 12:42 PM	00/00/0000	LOC 1.0 - H1 Construction	45
		APPROVAL REQUIRED FOR PRODUCTION	SIGNATURE / DATE			



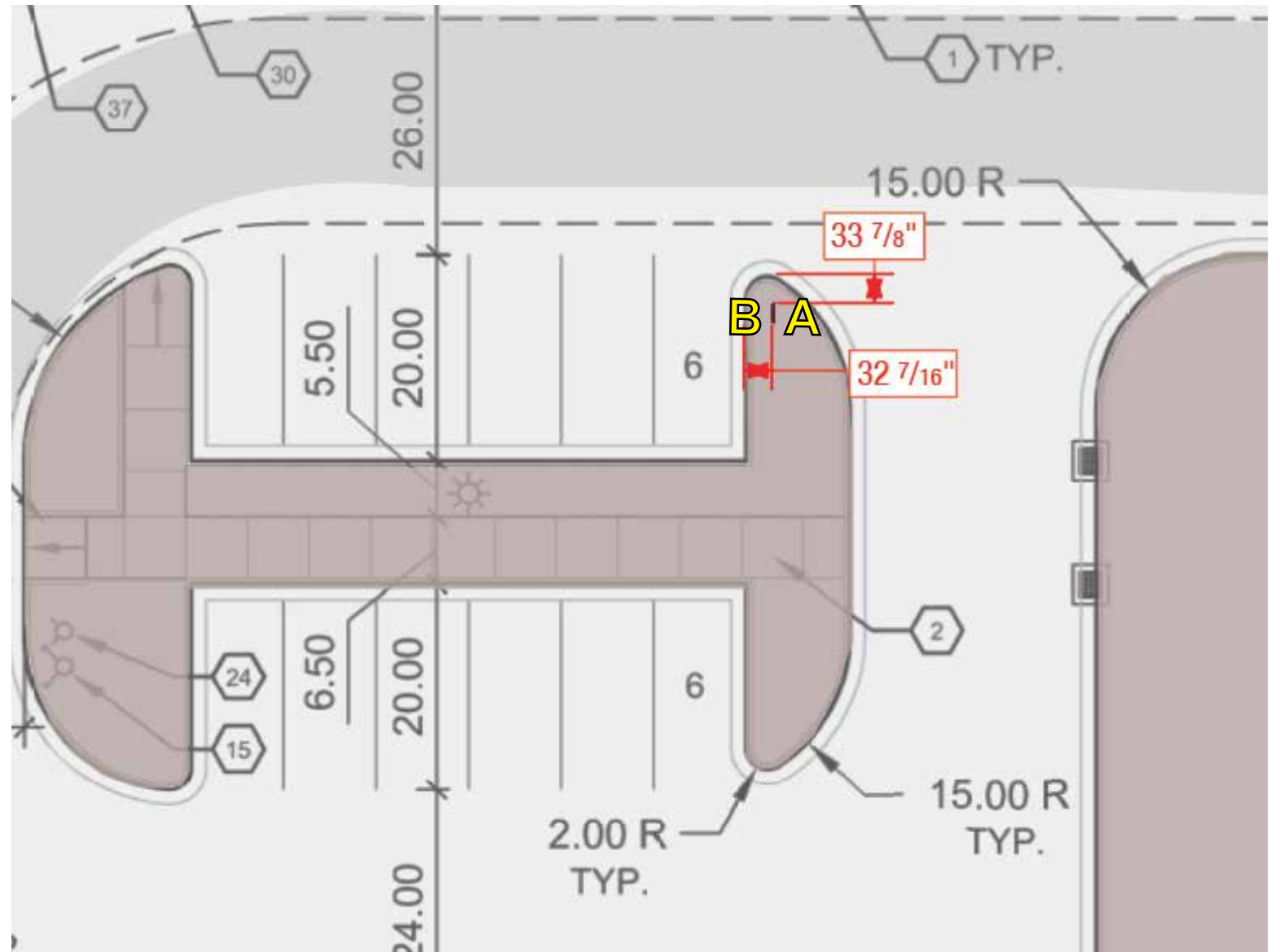
A MESSAGES
SCALE: NTS

B MESSAGES
SCALE: NTS



B PHOTO OVERLAY
SCALE: NTS

EXACT MEASUREMENTS TO COME



EXACT MEASUREMENTS TO COME

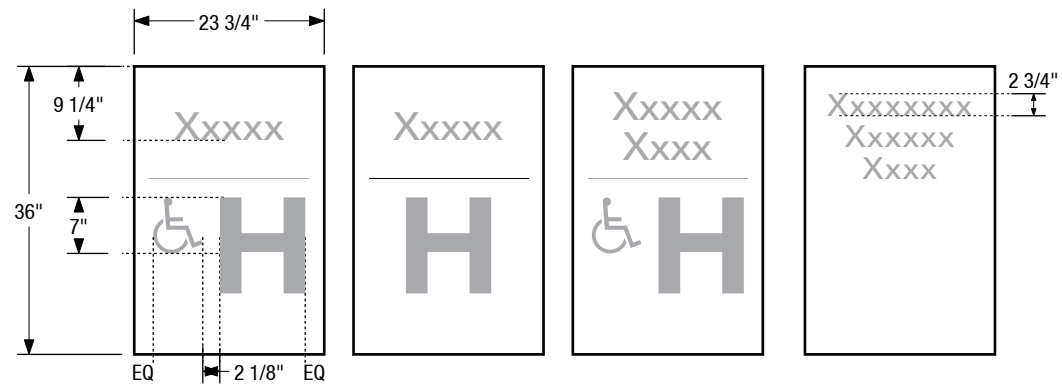
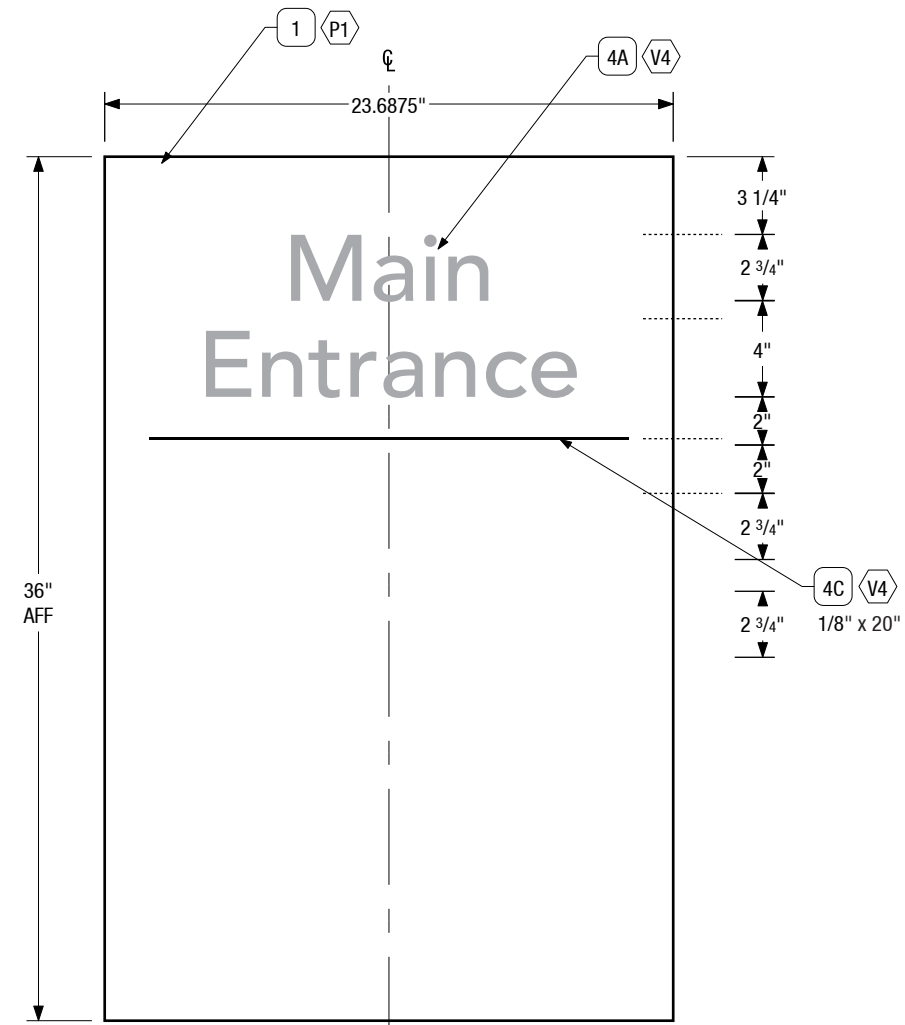
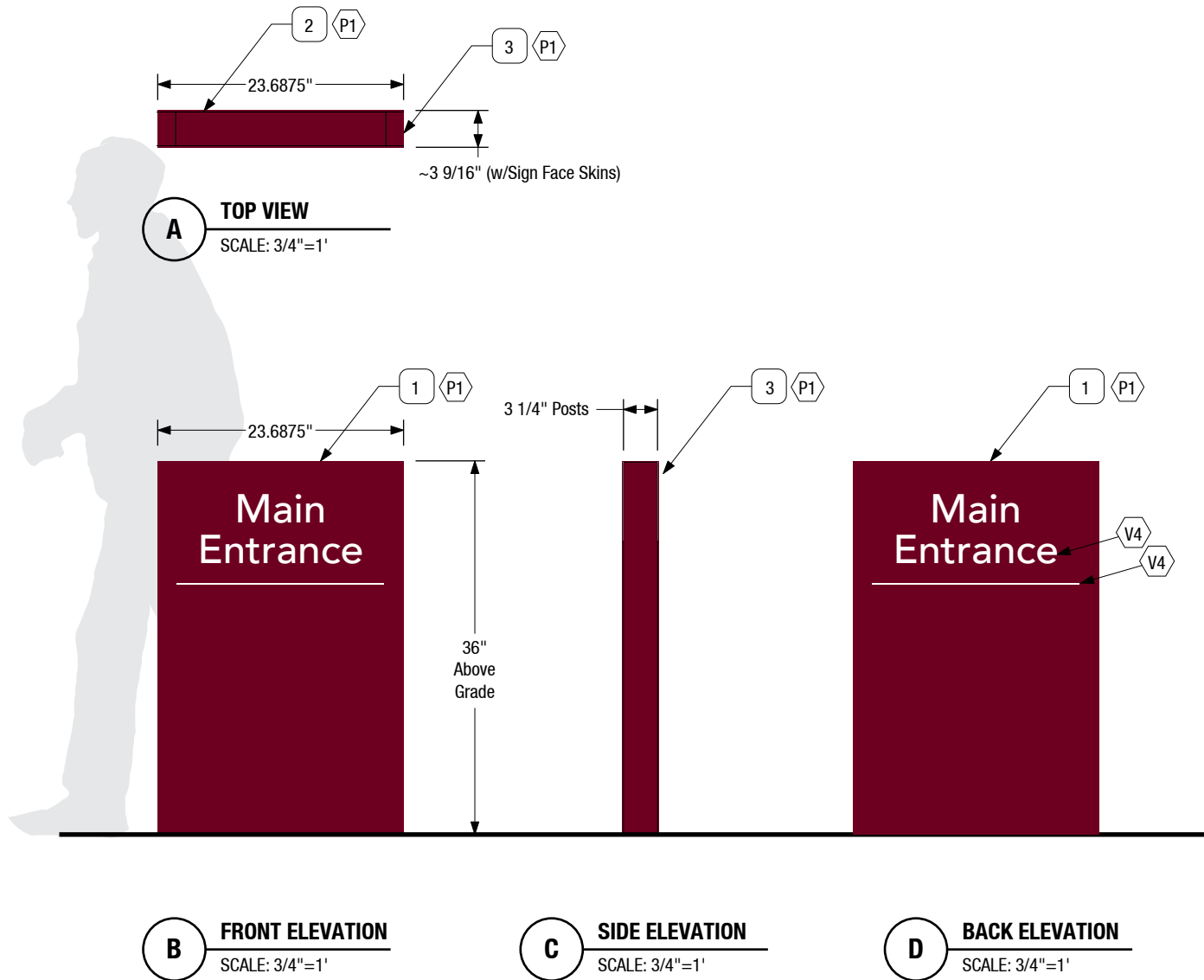
C PLACEMENT
SCALE: NTS

LOC H.1 1.0



CONTACT	DRAWN BY	CLIENT / PROJECT	SUBMITTAL DATE	DRAWING REVISED DATE	SHEET TITLE	SHEET
Albuquerque / Phoenix P 505.888.2901 ext 104 F 505.888.2902 csbsigns.com	Johnathan Sylversmythe JohnathanS@csbsigns.com <small>This artwork and design is owned by Century Sign Builders unless expressly stated. Use of this document or the design shown here without permission is prohibited.</small>	Client / GC: Presbyterian PRENow Project: 20190313 PRENow Clinic Exterior APPROVAL REQUIRED FOR PRODUCTION	00/00/0000 <small>Sign Package Modification Date: June 13, 2019 12:42 PM</small>	00/00/0000	LOC 1.0 - H1 Placement and Location	46

SIGNATURE / DATE



Sign Type H1

Product Line: Post and Panel
Description: Non Illuminated Double Sided Post & Panel Monolith Style

QUANTITY - 3

SIGN AND GRAPHIC SPECIFICATIONS

Overall Square Footage of Sign Above Grade
6 Sq Feet

1. SIGN PANEL FACE

Skin Runs 3" Below Grade (Landscape)
Size: (2) 39" x 23.6875" (36" AFF)
Material: .090" Thick Aluminum Sheet
Mount to Post & Frame: w/ 3M VHB Tape
Paint/Finish: (P1) Burgundy / See Finish Below
Additional Clear Top Coat: None

2. SIGN BODY FRAME

Overall Size: 39" x 20.125"
Body Type: 3.25" Depth Frameless Body
Material: Extruded Aluminum
Fabrication: Miter Corners w/Corner Keys, Corner Keys Set w/ Liquid Weld
Paint/Finish: (P1) Burgundy / See Finish Below
Additional Clear Top Coat: None

3. SIGN POST & REVEAL

Post Type: Rectangle 1.75" x 3.25"
Material: Extruded Aluminum
Post Length: (2) 55" L
Above Grade: 36"
Below Grade: 19"
Mount to Frame: w/ #10 Metal Screws
Paint/Finish: (P1) Burgundy / See Finish Key
Additional Clear Top Coat: None

4. SIGN GRAPHICS

Material: (V4) White Reflective Vinyl
Typography Alignment: Center
A. Designation Font: Avenir LT 65 Medium
Cap Height: 2.75"
Line Spacing: 4" (Baseline to Baseline)
Visibility Distance: 79'
B. Lot ID Font: **NO LOT ID** Avenir LT 65 Medium Bold
Cap Height: 12"
Visibility Distance: 348'
C. Rule Size: .125" x 20"

(P1) PAINT
Matthews Paint System
Product No: MAP Number 2116 / Color System Number 3630-49 - Burgundy
Note: Paint to Match 3M Scotchcal 3630-49
Finish Sheen: Satin

(V4) VINYL
Series: 3M Scotchlite Reflective Graphic Film
Color: #5100-10 Reflective Vinyl
Application: First Surface

Fabrication Notes
See Construction Document Sheet for Complete Specifications of Sizes, Materials, Fasteners, Part Numbers, and Part Quantities



CONTACT Albuquerque / Phoenix P 505.888.2901 ext 104 F 505.888.2902 csbsigns.com	DRAWN BY Johnathan Sylversmythe JohnathanS@csbsigns.com This artwork and design is owned by Century Sign Builders unless expressly stated. Use of this document or the design shown here without permission is prohibited.	CLIENT / PROJECT Client / GC: Presbyterian PRENow Project: 20190313 PRENow Clinic Exterior APPROVAL REQUIRED FOR PRODUCTION	SUBMITTAL DATE 00/00/0000 Sign Package Modification Date: June 13, 2019 12:42 PM	DRAWING REVISED DATE 00/00/0000	SHEET TITLE LOC 1.2 - H1 Design and Specification	SHEET 47
---	--	--	---	---	---	--------------------

Sign Type H1

Product Line: Post and Panel
Description: Non Illuminated Double Sided Post & Panel Monolith Style

QUANTITY - 3

SIGN AND GRAPHIC SPECIFICATIONS

Overall Square Footage of Sign Above Grade
6 Sq Feet

1. SIGN GRAPHICS

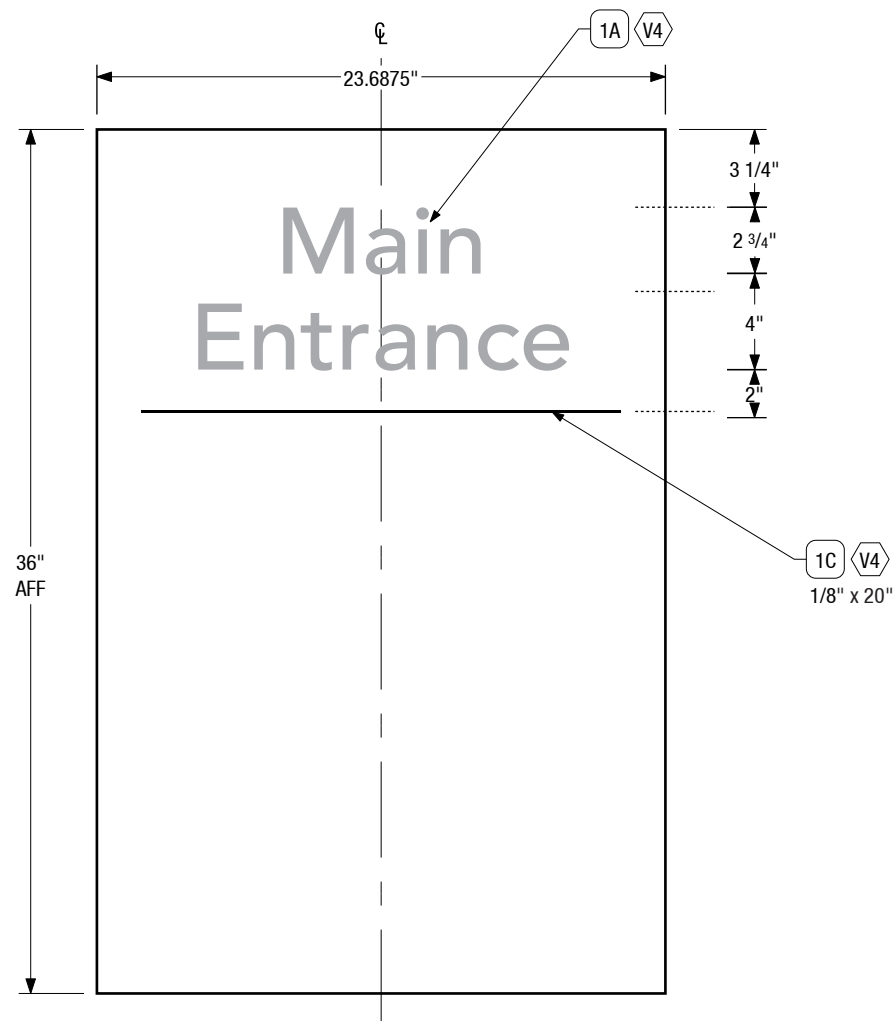
- Material: (V4) White Reflective Vinyl
- Typography Alignment: Center
- A. Designation Font: Avenir LT 65 Medium
 - Cap Height: 2.75"
 - Line Spacing: 4" (Baseline to Baseline)
 - Visibility Distance: 72'
- B. Lot ID Font: **NO LOT ID** Avenir LT 65 Medium Bold
 - Cap Height: 12"
 - Visibility Distance: 348'
- C. Rule Size: .125" x 20"

- (P1) PAINT**
Matthews Paint System
Product No: MAP Number 2116 / Color System Number 3630-49 - Burgundy
Note: Paint to Match 3M Scotchlcal 3630-49
Finish Sheen: Satin

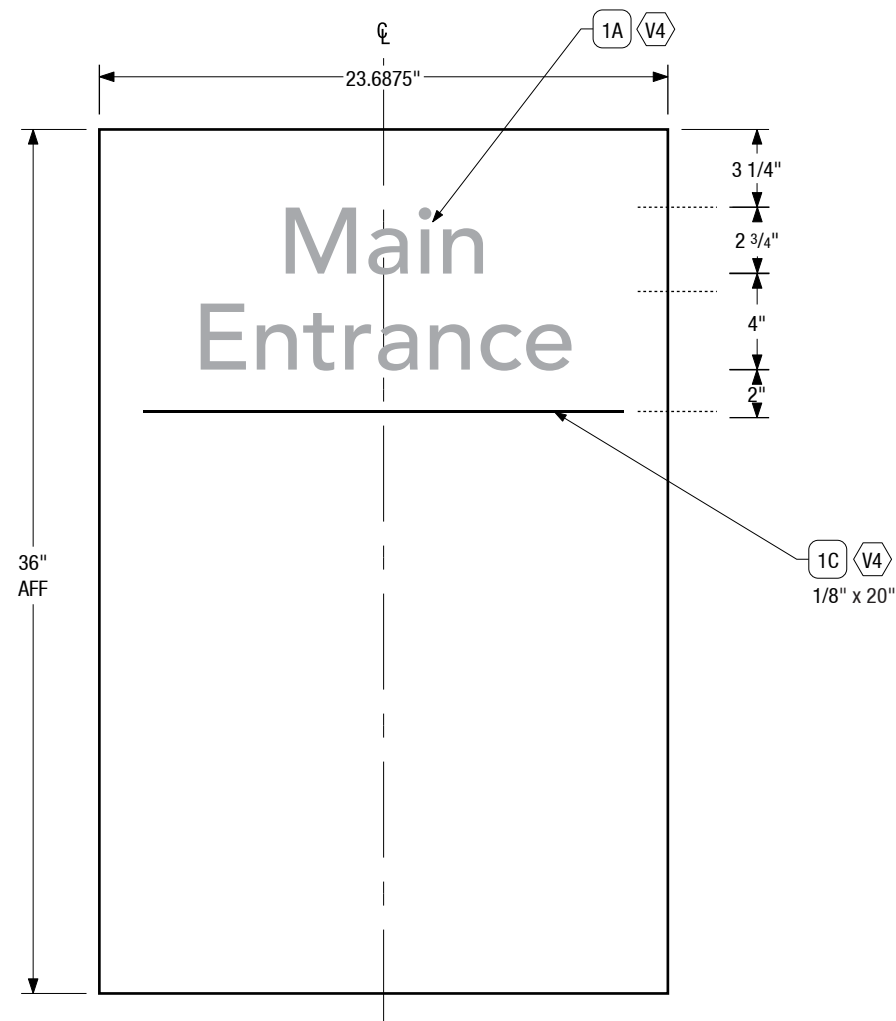
- (V4) VINYL**
Series: 3M Scotchlite Reflective Graphic Film
Color: #5100-10 Reflective Vinyl
Application: First Surface

Fabrication Notes
See Construction Document Sheet for Complete Specifications of Sizes, Materials, Fasteners, Part Numbers, and Part Quantities

LOC H.1 1.2



A GRAPHIC STANDARD LAYOUT
SCALE: 1-1/2"=1'

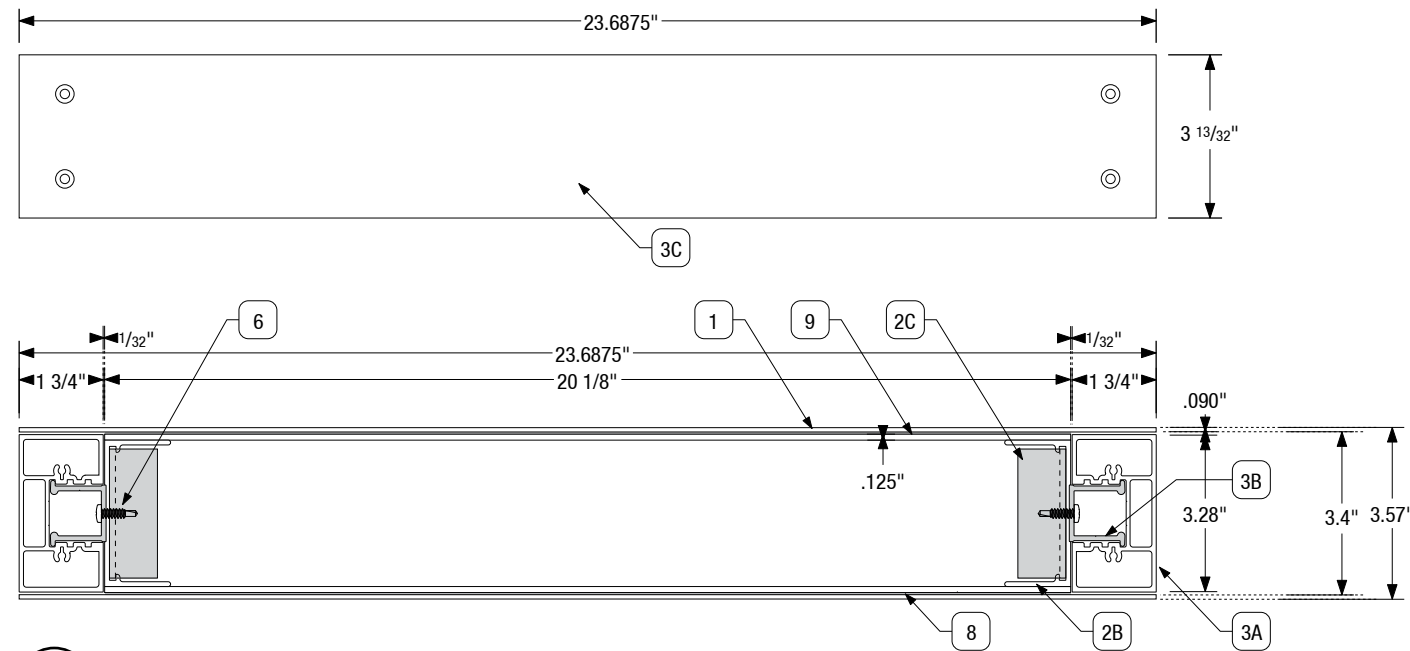


B GRAPHIC STANDARD LAYOUT
SCALE: 1-1/2"=1'

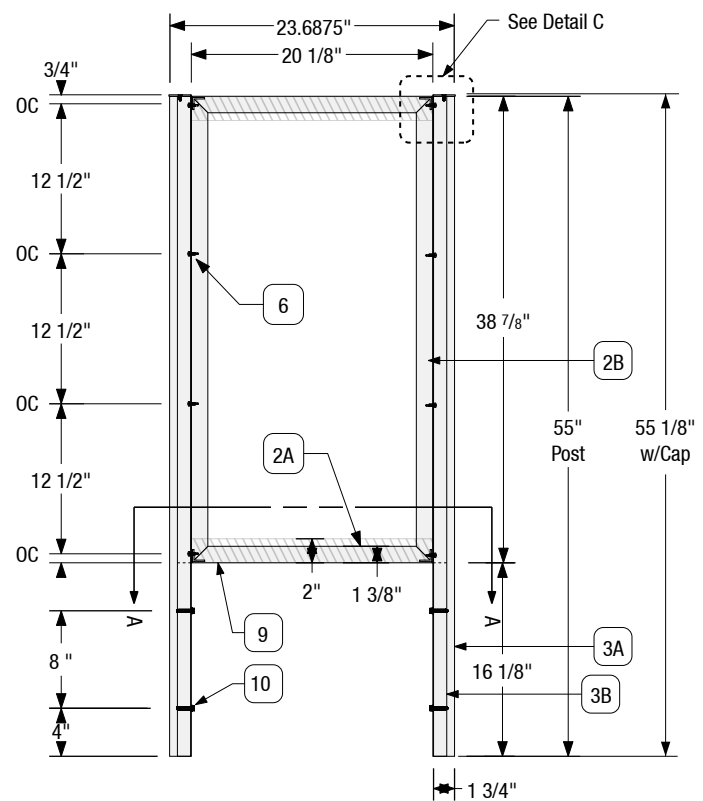


CONTACT	DRAWN BY	CLIENT / PROJECT	SUBMITTAL DATE	DRAWING REVISED DATE	SHEET TITLE	SHEET
Albuquerque / Phoenix P 505.888.2901 ext 104 F 505.888.2902 csbsigns.com	Johnathan Sylversmythe JohnathanS@csbsigns.com <small>This artwork and design is owned by Century Sign Builders unless expressly stated. Use of this document or the design shown here without permission is prohibited.</small>	Client / GC: Presbyterian PRENow Project: 20190313 PRENow Clinic Exterior APPROVAL REQUIRED FOR PRODUCTION	00/00/0000 <small>Sign Package Modification Date: June 13, 2019 12:42 PM</small>	00/00/0000	LOC 1.2 - H1 Graphic Layout	48
		SIGNATURE / DATE				

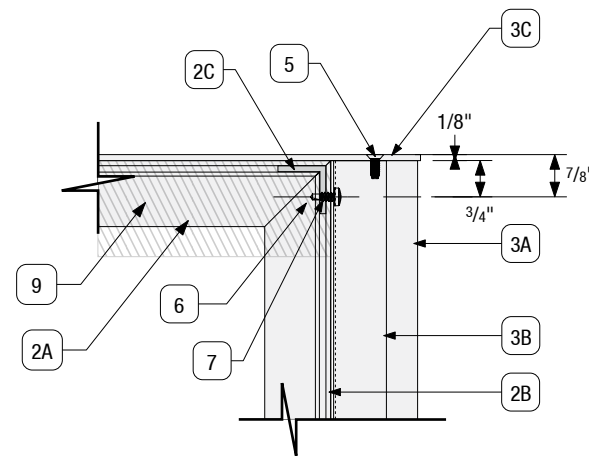
LOC H.1 1.2



A PLAN SECTION
SCALE: 3"=1'



B ELEVATION SECTION
SCALE: 3/4"=1'



C DETAIL SECTION
SCALE: 3"=1'

Fabrication Notes:
Post & Reveal Mounts 1/8" Down from Top Of Frame
Post Cap Should be Flush with Sign Frame
Screws to Hold Reveal Placed 3/4" OC From Top of Frame (5/8" OC on Reveal)

Sign Type H1

FABRICATION SPECIFICATIONS

- 1. SIGN PANEL FACE**
Size: (2) 39" x 23.6875"
Material: .090" Thick Aluminum Sheet
Mount to Post & Frame: w/ Item 8 Below
- 2. SIGN BODY FRAME**
Overall Size: 39" x 20.125"
Body Type: 3.25" Depth Frameless Body
Material: Extruded Aluminum
Fabrication: Miter 45° Angle Joints w/Corner Keys (.125 Aluminum Angle)
A. Frameless Body Top/Bot Length: (2) 20.125"
SignComp Part No: 1275
B. Frameless Body Sides Length: (2) 38.875" L
SignComp Part No: 1275
C. Aluminum Angle: (4) Corner Keys
SignComp Part No: 5337
Mount Angle to Frame: w/ Item 7 Below
- 3. SIGN POST**
Post Type: Rectangle 1.75" x 3.25"
Material: Extruded Aluminum
A. Post Length: (2) 55" L
SignComp Part No: 1220
B. Reveal Length: (2) 38.875" L + (2)16.125" L
SignComp Part No: 1200 (2 Sections)
Position Set: Zero
Mount to Frame: See Item 6 Below
C. Post Cap: (1) 23.6875" L x 3.40625" W
Aluminum 1/8" thick material with
Countersink Screw Holes Size: #10
- 4. SIGN GRAPHICS**
Refer to H1 Design/Spec Sheet for Complete Specifications on Graphics and Finishes
- 5. CAP SCREW**
Type: (4) Flat Head Stainless Steel
Square/Phillips Countersink Screw
Size: #10 x 1/2" L
SignComp Part No: 5040 or EQ (100 pp)
- 6. POST REVEAL SCREW**
Type: (8) Pan Head Stainless Steel
Square/Phillips Screw
Size: #10 x 1/2" L
SignComp Part No: 5218 or EQ (100 pp)
- 7. SCREW FOR L BRACKETS**
Type: 1/2" #10 Self Tapping Metal Screws
- 8. VHB TAPE**
Type: 3M VHB 4941(F), .045" Thick, 1" Wide
Over All Length Needed: 251 L In
- 9. SPACER**
Size: (4) 2" x 20.125"
Material: 1/8" Aluminum Flat Bar
Mount to Frame: w/ #8 Flat Head Metal
Screws Countersink #8 Holes
- 10. SCREW**
Type: (4) Unslotted Indented Hex Washer
Head #10 Metal Screw Self Tapping
Size: 5/16"-18 x 1-1/2"



CONTACT	DRAWN BY	CLIENT / PROJECT	SUBMITTAL DATE	DRAWING REVISED DATE	SHEET TITLE	SHEET
Albuquerque / Phoenix P 505.888.2901 ext 104 F 505.888.2902 csbsigns.com	Johnathan Sylversmythe JohnathanS@csbsigns.com <small>This artwork and design is owned by Century Sign Builders unless expressly stated. Use of this document or the design shown here without permission is prohibited.</small>	Client / GC: Presbyterian PRESNow Project: 20190313 PRESNow Clinic Exterior APPROVAL REQUIRED FOR PRODUCTION	00/00/0000 Sign Package Modification Date: June 13, 2019 12:42 PM	00/00/0000	LOC 1.2 - H1 Construction	49
		SIGNATURE / DATE				

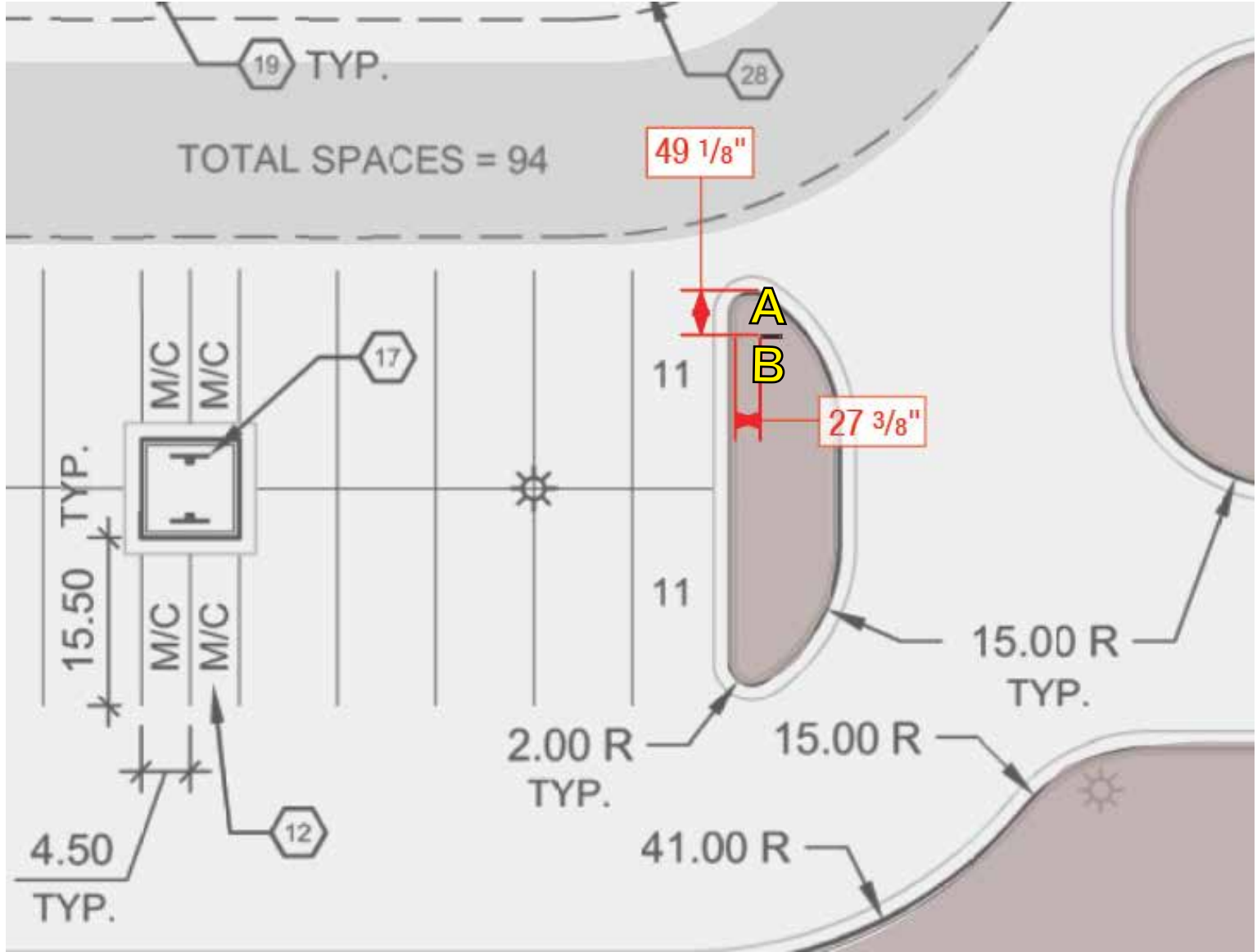


A MESSAGES
SCALE: NTS

B MESSAGES
SCALE: NTS



B PHOTO OVERLAY
SCALE: NTS EXACT MEASUREMENTS TO COME



EXACT MEASUREMENTS TO COME

C PLACEMENT
SCALE: NTS

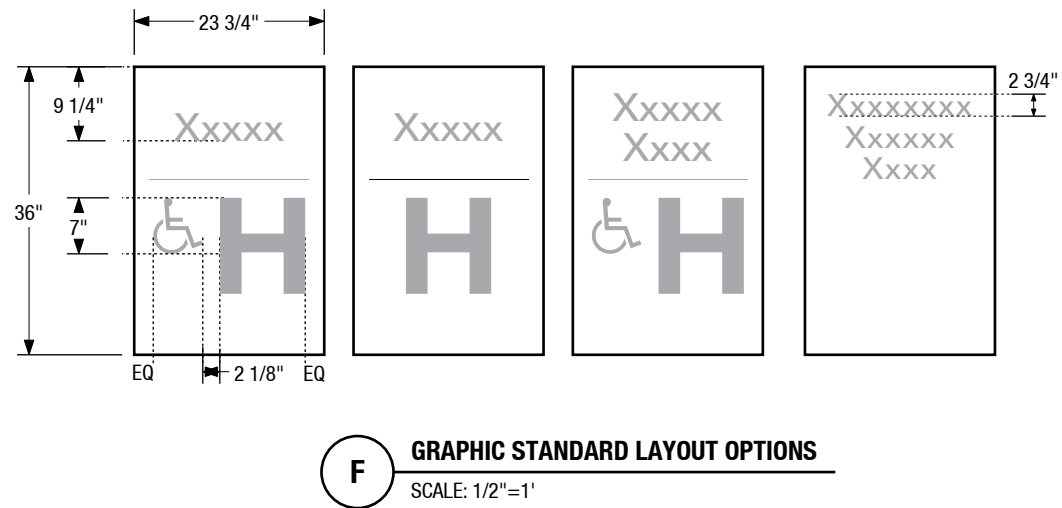
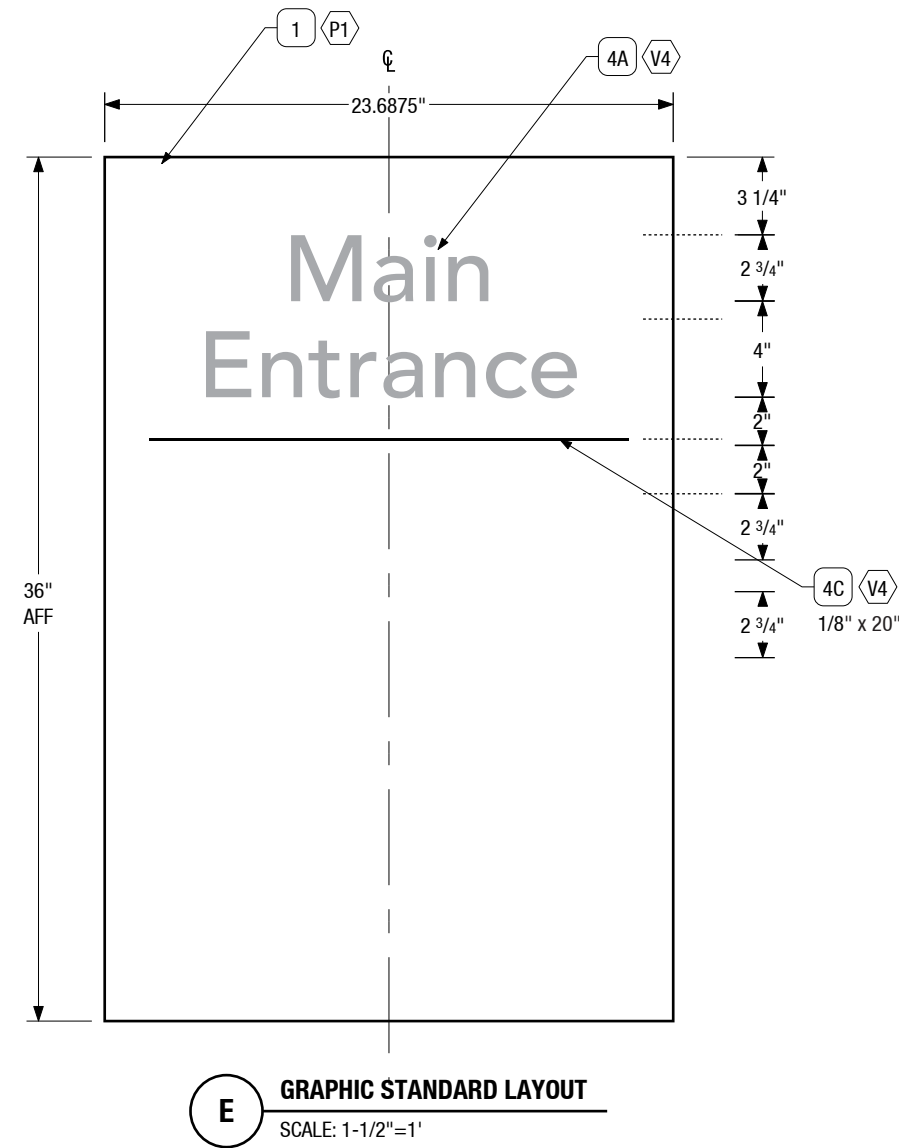
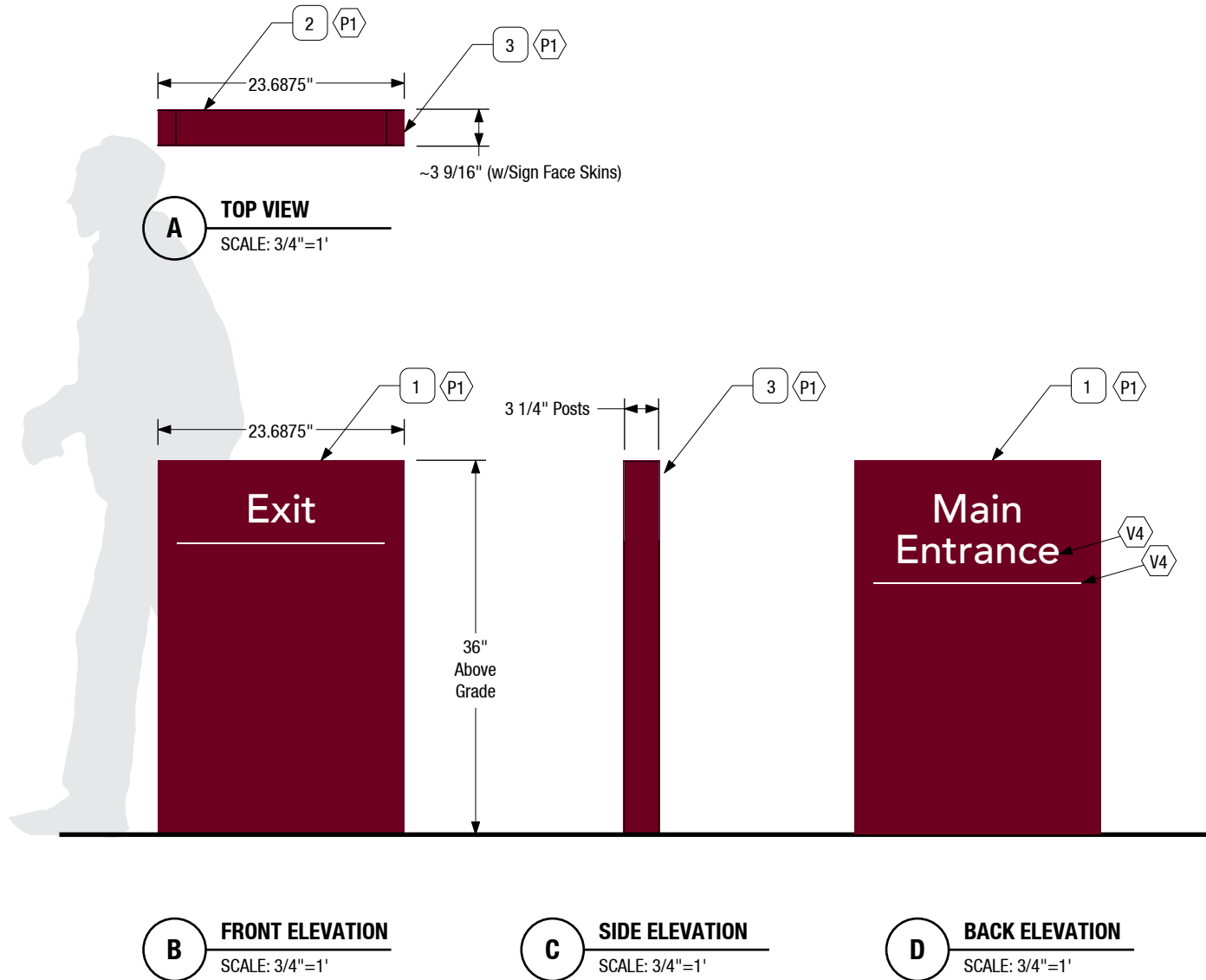
LOC H.1 1.2



CONTACT	DRAWN BY	CLIENT / PROJECT	SUBMITTAL DATE	DRAWING REVISED DATE	SHEET TITLE	SHEET
Albuquerque / Phoenix P 505.888.2901 ext 104 F 505.888.2902 csbsigns.com	Johnathan Sylversmythe JohnathanS@csbsigns.com <small>This artwork and design is owned by Century Sign Builders unless expressly stated. Use of this document or the design shown here without permission is prohibited.</small>	Client / GC: Presbyterian PRENow Project: 20190313 PRENow Clinic Exterior APPROVAL REQUIRED FOR PRODUCTION	00/00/0000 <small>Sign Package Modification Date: June 13, 2019 12:42 PM</small>	00/00/0000	LOC 1.2 - H1 Placement and Location	50

SIGNATURE / DATE

LOC H.1 1.3



Sign Type H1

Product Line: Post and Panel
Description: Non Illuminated Double Sided Post & Panel Monolith Style

QUANTITY - 3

SIGN AND GRAPHIC SPECIFICATIONS

Overall Square Footage of Sign Above Grade
6 Sq Feet

1. SIGN PANEL FACE
Skin Runs 3" Below Grade (Landscape)
Size: (2) 39" x 23.6875" (36" AFF)
Material: .090" Thick Aluminum Sheet
Mount to Post & Frame: w/ 3M VHB Tape
Paint/Finish: (P1) Burgundy / See Finish Below
Additional Clear Top Coat: None

2. SIGN BODY FRAME
Overall Size: 39" x 20.125"
Body Type: 3.25" Depth Frameless Body
Material: Extruded Aluminum
Fabrication: Miter Corners w/Corner Keys, Corner Keys Set w/ Liquid Weld
Paint/Finish: (P1) Burgundy / See Finish Below
Additional Clear Top Coat: None

3. SIGN POST & REVEAL
Post Type: Rectangle 1.75" x 3.25"
Material: Extruded Aluminum
Post Length: (2) 55" L
Above Grade: 36"
Below Grade: 19"
Mount to Frame: w/ #10 Metal Screws
Paint/Finish: (P1) Burgundy / See Finish Key
Additional Clear Top Coat: None

4. SIGN GRAPHICS
Material: (V4) White Reflective Vinyl
Typography Alignment: Center
A. Designation Font: Avenir LT 65 Medium
Cap Height: 2.75"
Line Spacing: 4" (Baseline to Baseline)
Visibility Distance: 79'
B. Lot ID Font: **NO LOT ID** Avenir LT 65 Medium Bold
Cap Height: 12"
Visibility Distance: 348'
C. Rule Size: .125" x 20"

(P1) PAINT
Matthews Paint System
Product No: MAP Number 2116 / Color System Number 3630-49 - Burgundy
Note: Paint to Match 3M Scotchcal 3630-49
Finish Sheen: Satin

(V4) VINYL
Series: 3M Scotchlite Reflective Graphic Film
Color: #5100-10 Reflective Vinyl
Application: First Surface

Fabrication Notes
See Construction Document Sheet for Complete Specifications of Sizes, Materials, Fasteners, Part Numbers, and Part Quantities

Sign Type H1

Product Line: Post and Panel
Description: Non Illuminated Double Sided Post & Panel Monolith Style

QUANTITY - 3

SIGN AND GRAPHIC SPECIFICATIONS

Overall Square Footage of Sign Above Grade
6 Sq Feet

1. SIGN GRAPHICS

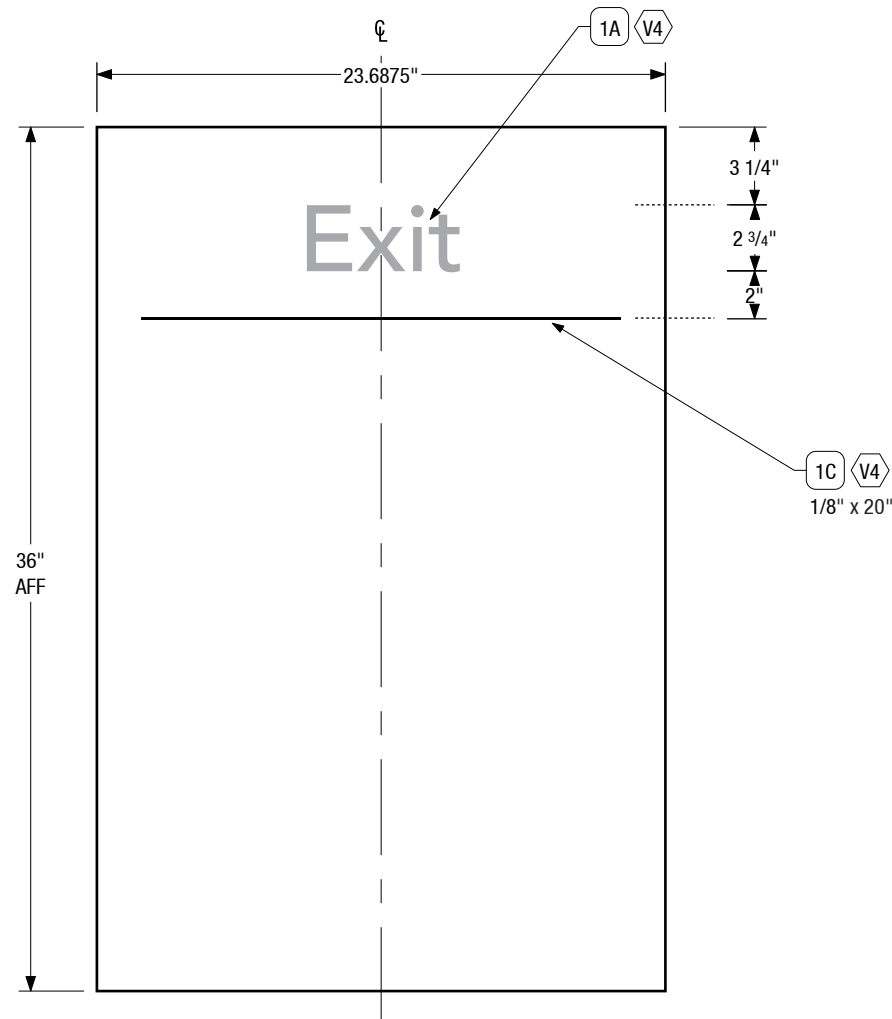
- Material: (V4) White Reflective Vinyl
- Typography Alignment: Center
- A. Designation Font: Avenir LT 65 Medium
 - Cap Height: 2.75"
 - Line Spacing: 4" (Baseline to Baseline)
 - Visibility Distance: 72'
- B. Lot ID Font: **NO LOT ID** Avenir LT 65 Medium Bold
 - Cap Height: 12"
 - Visibility Distance: 348'
- C. Rule Size: .125" x 20"

- (P1) PAINT**
 - Matthews Paint System
 - Product No: MAP Number 2116 / Color System Number 3630-49 - Burgundy
 - Note: Paint to Match 3M Scotchlite 3630-49
 - Finish Sheen: Satin

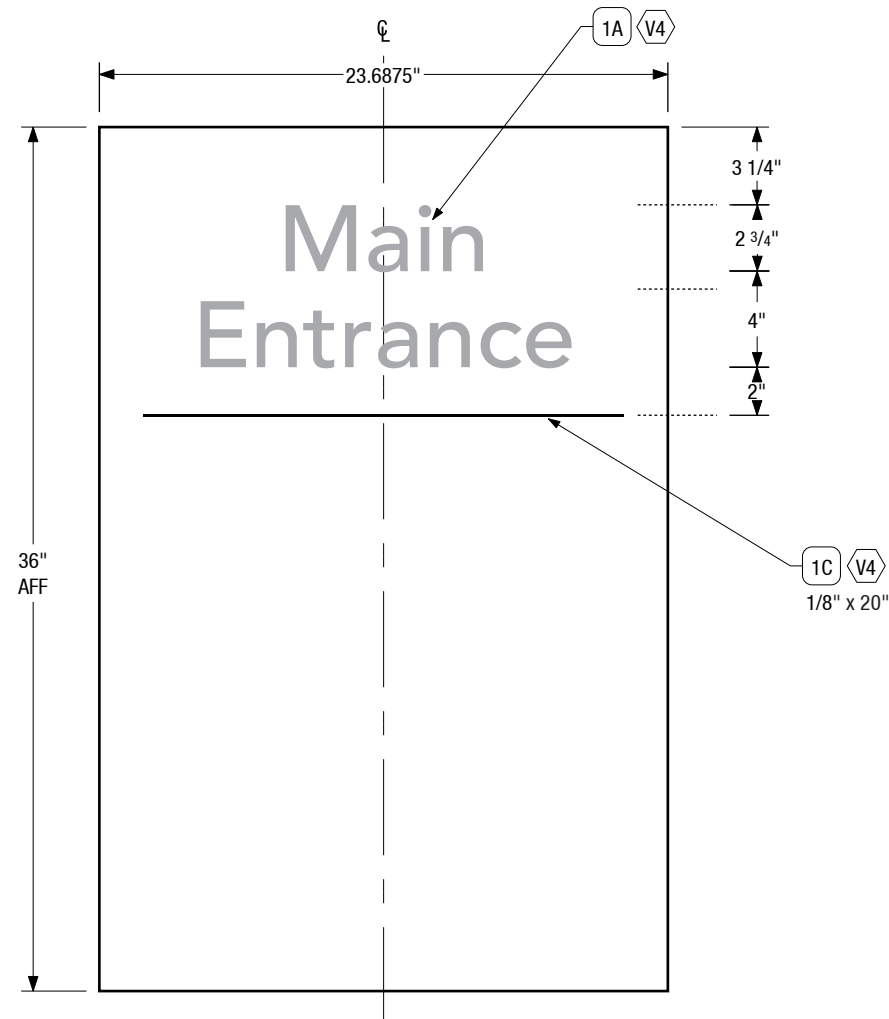
- (V4) VINYL**
 - Series: 3M Scotchlite Reflective Graphic Film
 - Color: #5100-10 Reflective Vinyl
 - Application: First Surface

Fabrication Notes
See Construction Document Sheet for Complete Specifications of Sizes, Materials, Fasteners, Part Numbers, and Part Quantities

LOC H.1 1.3



A GRAPHIC STANDARD LAYOUT
SCALE: 1-1/2"=1'

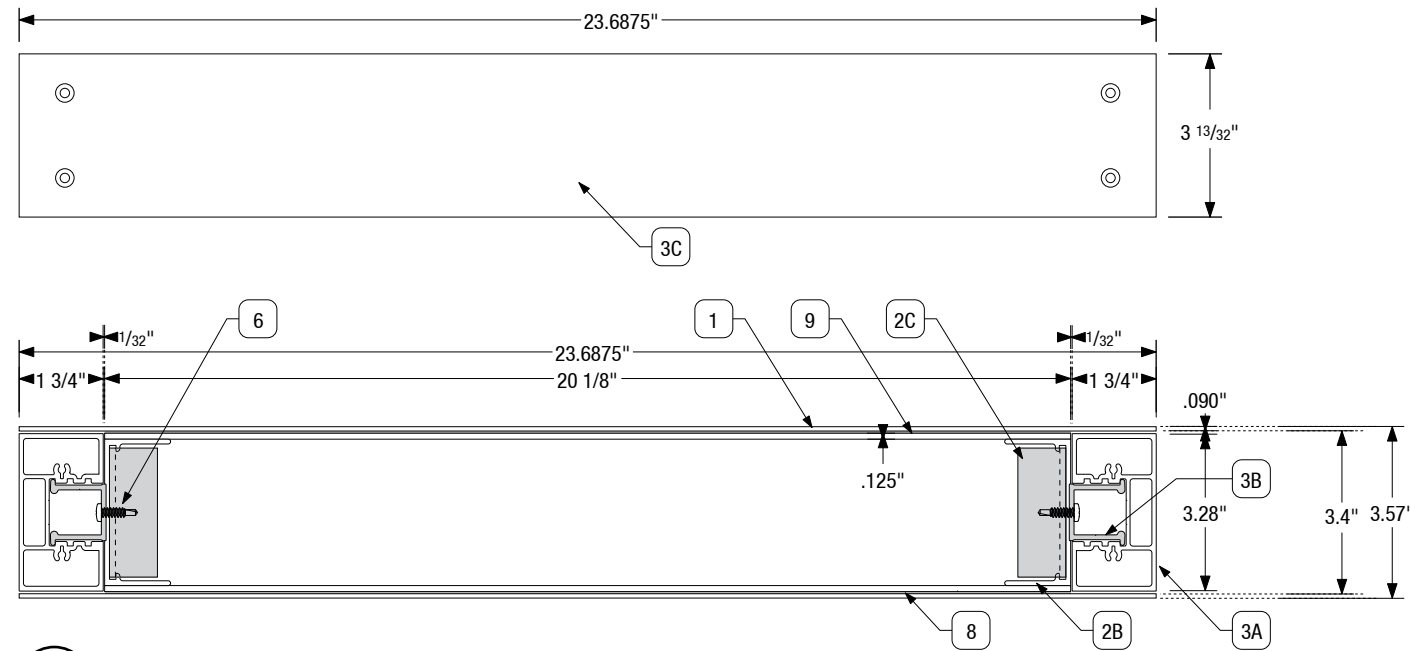


B GRAPHIC STANDARD LAYOUT
SCALE: 1-1/2"=1'

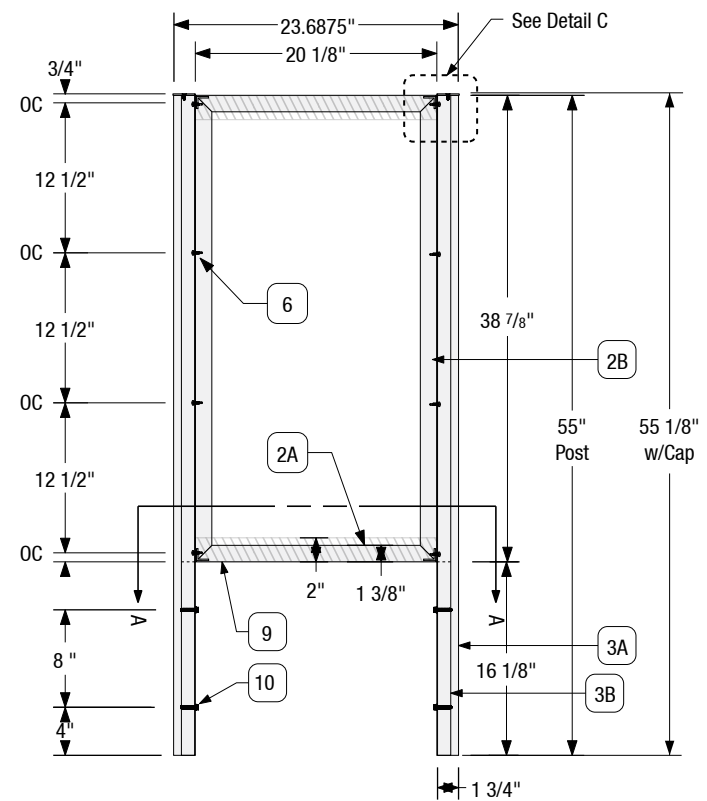


CONTACT	DRAWN BY	CLIENT / PROJECT	SUBMITTAL DATE	DRAWING REVISED DATE	SHEET TITLE	SHEET
Albuquerque / Phoenix P 505.888.2901 ext 104 F 505.888.2902 csbsigns.com	Johnathan Sylversmythe JohnathanS@csbsigns.com <small>This artwork and design is owned by Century Sign Builders unless expressly stated. Use of this document or the design shown here without permission is prohibited.</small>	Client / GC: Presbyterian PRENow Project: 20190313 PRENow Clinic Exterior APPROVAL REQUIRED FOR PRODUCTION	00/00/0000 <small>Sign Package Modification Date: June 13, 2019 12:42 PM</small>	00/00/0000	LOC 1.3 - H1 Graphic Layout	52

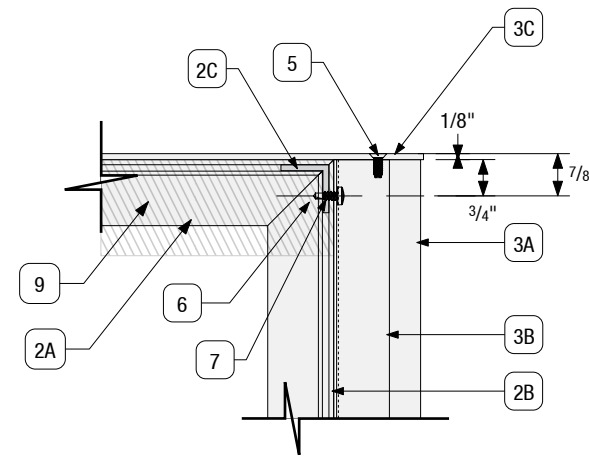
LOC H.1 1.3



A PLAN SECTION
SCALE: 3"=1'



B ELEVATION SECTION
SCALE: 3/4"=1'



C DETAIL SECTION
SCALE: 3"=1'

Fabrication Notes:
Post & Reveal Mounts 1/8" Down from Top Of Frame
Post Cap Should be Flush with Sign Frame
Screws to Hold Reveal Placed 3/4" OC From Top of Frame (5/8" OC on Reveal)

Sign Type H1

FABRICATION SPECIFICATIONS

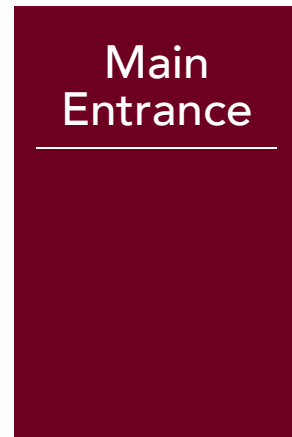
- 1. SIGN PANEL FACE**
Size: (2) 39" x 23.6875"
Material: .090" Thick Aluminum Sheet
Mount to Post & Frame: w/ Item 8 Below
- 2. SIGN BODY FRAME**
Overall Size: 39" x 20.125"
Body Type: 3.25" Depth Frameless Body
Material: Extruded Aluminum
Fabrication: Miter 45° Angle Joints w/Corner Keys (.125 Aluminum Angle)
A. Frameless Body Top/Bot Length: (2) 20.125"
SignComp Part No: 1275
B. Frameless Body Sides Length: (2) 38.875" L
SignComp Part No: 1275
C. Aluminum Angle: (4) Corner Keys
SignComp Part No: 5337
Mount Angle to Frame: w/ Item 7 Below
- 3. SIGN POST**
Post Type: Rectangle 1.75" x 3.25"
Material: Extruded Aluminum
A. Post Length: (2) 55" L
SignComp Part No: 1220
B. Reveal Length: (2) 38.875" L + (2)16.125" L
SignComp Part No: 1200 (2 Sections)
Position Set: Zero
Mount to Frame: See Item 6 Below
C. Post Cap: (1) 23.6875" L x 3.40625" W
Aluminum 1/8" thick material with
Countersink Screw Holes Size: #10
- 4. SIGN GRAPHICS**
Refer to H1 Design/Spec Sheet for Complete Specifications on Graphics and Finishes
- 5. CAP SCREW**
Type: (4) Flat Head Stainless Steel Square/Phillips Countersink Screw
Size: #10 x 1/2" L
SignComp Part No: 5040 or EQ (100 pp)
- 6. POST REVEAL SCREW**
Type: (8) Pan Head Stainless Steel Square/Phillips Screw
Size: #10 x 1/2" L
SignComp Part No: 5218 or EQ (100 pp)
- 7. SCREW FOR L BRACKETS**
Type: 1/2" #10 Self Tapping Metal Screws
- 8. VHB TAPE**
Type: 3M VHB 4941(F), .045" Thick, 1" Wide
Over All Length Needed: 251 L In
- 9. SPACER**
Size: (4) 2" x 20.125"
Material: 1/8" Aluminum Flat Bar
Mount to Frame: w/ #8 Flat Head Metal Screws Countersink #8 Holes
- 10. SCREW**
Type: (4) Unslotted Indented Hex Washer Head #10 Metal Screw Self Tapping
Size: 5/16"-18 x 1-1/2"



CONTACT	DRAWN BY	CLIENT / PROJECT	SUBMITTAL DATE	DRAWING REVISED DATE	SHEET TITLE	SHEET
Albuquerque / Phoenix P 505.888.2901 ext 104 F 505.888.2902 csbsigns.com	Johnathan Sylversmythe JohnathanS@csbsigns.com This artwork and design is owned by Century Sign Builders unless expressly stated. Use of this document or the design shown here without permission is prohibited.	Client / GC: Presbyterian PRENow Project: 20190313 PRENow Clinic Exterior	00/00/0000 Sign Package Modification Date: June 13, 2019 12:42 PM	00/00/0000	LOC 1.3 - H1 Construction	53
		APPROVAL REQUIRED FOR PRODUCTION	SIGNATURE / DATE			



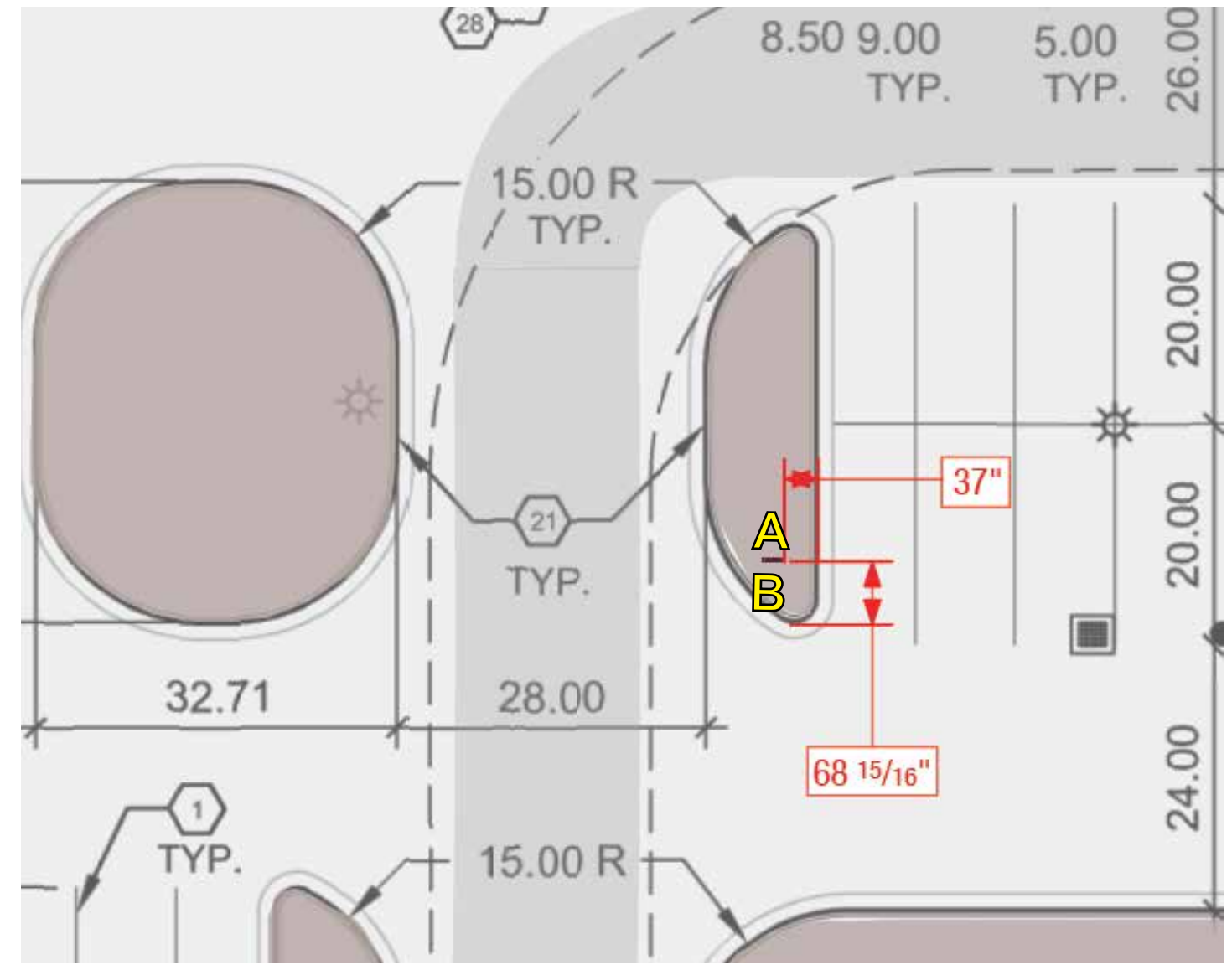
A MESSAGES
SCALE: NTS



B MESSAGES
SCALE: NTS



B PHOTO OVERLAY
SCALE: NTS EXACT MEASUREMENTS TO COME



EXACT MEASUREMENTS TO COME

C PLACEMENT
SCALE: NTS

LOC H.1 1.3



CONTACT	DRAWN BY	CLIENT / PROJECT	SUBMITTAL DATE	DRAWING REVISED DATE	SHEET TITLE	SHEET
Albuquerque / Phoenix P 505.888.2901 ext 104 F 505.888.2902 csbsigns.com	Johnathan Sylversmythe JohnathanS@csbsigns.com <small>This artwork and design is owned by Century Sign Builders unless expressly stated. Use of this document or the design shown here without permission is prohibited.</small>	Client / GC: Presbyterian PRENow Project: 20190313 PRENow Clinic Exterior APPROVAL REQUIRED FOR PRODUCTION	00/00/0000 <small>Sign Package Modification Date: June 13, 2019 12:42 PM</small>	00/00/0000	LOC 1.3 - H1 Location and Placement	54

SIGNATURE / DATE

55

Exterior Dimensional
Letters

General Contractor: TBD
Project: TBD
Developed By: Century Sign Builders

PRESNow Letters

Description: Front Illuminated Dimensional

Letters for North and West Side of Building

QUANTITY

2 Set

SPECIFICATIONS

1. LETTERS

A: PRES - Overall Letter Dimensions: 31" Tall with 3" depth x 21' 5 3/4" Long
 Letter Visibility: ~1100' - 1150'
 Face Material: .063" Aluminum
 Returns Material: .040" Aluminum
 Back Material: .125" Clear Lexan
 Painted: to Match PMS 188CP
 C-16, M-100, Y-65, K-58
 Finish Sheen: Satin
 Additional Clear Top Coat: None
 Illumination: Double Stroke white LEDs (UL)
 Illumination Effect: Front Lit Letters with translucent vinyl
 Vinyl Type: Series: 3M Scotchcal Translucent Graphic Film
 Color: 3M 3630-49 Burgundy
 Application: First Surface
 Whip: Must be 10' or Longer
 Font: Custom Outline Logo
 Total Height: "P"= "31"
 Visibility Distance Still: 750' - 890'

B: Now 24/7 Urgent and Emergency Care

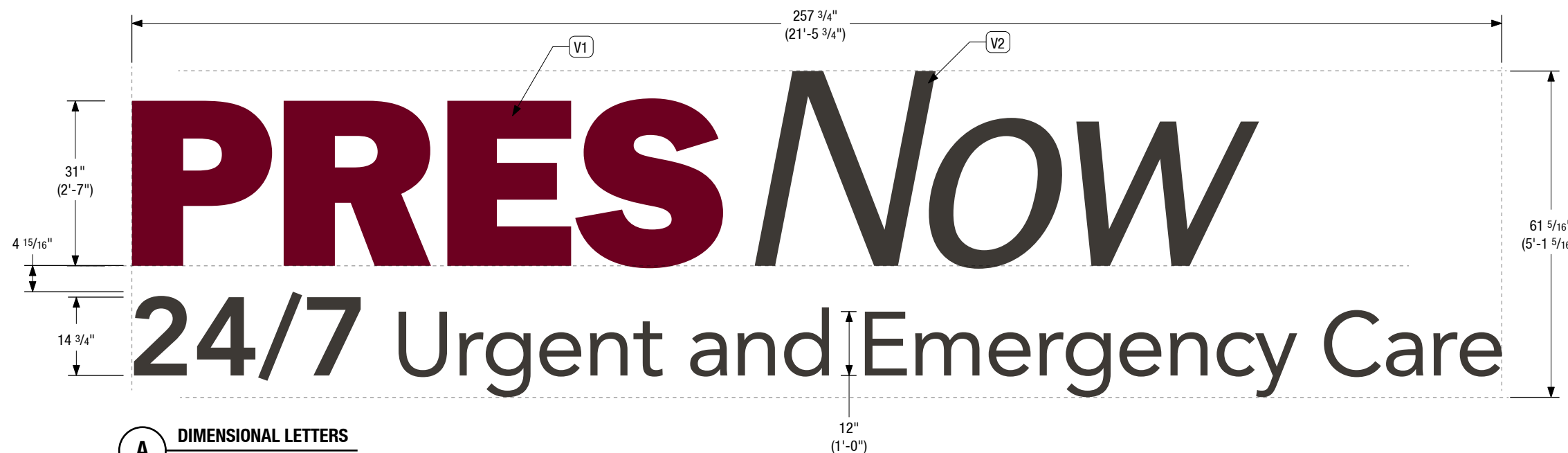
Font: Custom Logo Design
 Overall Letter Dimensions: "E"-Emergency 12" Tall with 3" depth x 21' 5 3/4" Long "N"-36" 5/8" Tall
 Letter Visibility: ~1392' - 1400'
 Face Material: .063" Aluminum
 Returns Material: .040" Aluminum
 Back Material: .125" Clear Lexan
 Painted: to Match Pantone Black 7C
 C-65, M-61.4, Y-64.39, K-54.19
 Finish Sheen: Satin
 Additional Clear Top Coat: None
 Illumination: Double Stroke white LEDs (UL)
 Illumination Effect: Front Lit Letters with translucent vinyl
 Vinyl Type: Series: 3M Scotchcal Translucent Graphic Film
 Color: 3M 3630-69 Duranodic
 Application: First Surface
 Whip: Must be 10' or Longer
 Font: Custom Outline Logo
 Total Height: 12"
 Visibility Distance Still: 348'

2. MOUNTING

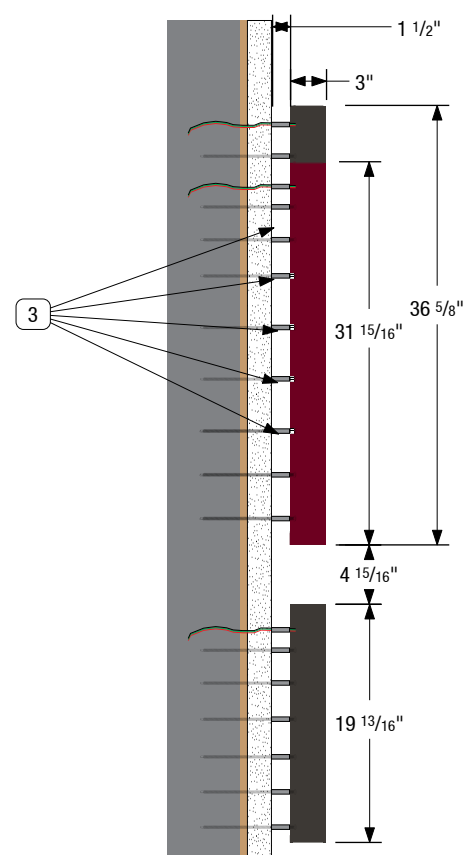
Mounting Surface: 2" Exterior Insulation with Finish System
 Mounting Hardware: 1/4" Roofing Screws or 1/4" SPAX Multi Exterior rated screw or **EQUILANT**
 Length: 5" to 6" long depending on wall depth.
 Stand-Offs: PVC 1 1/2"
 Stand-Off Material and Color: PVC
 Mounting Pattern: Yes

3. INSTALLATION EQUIPMENT

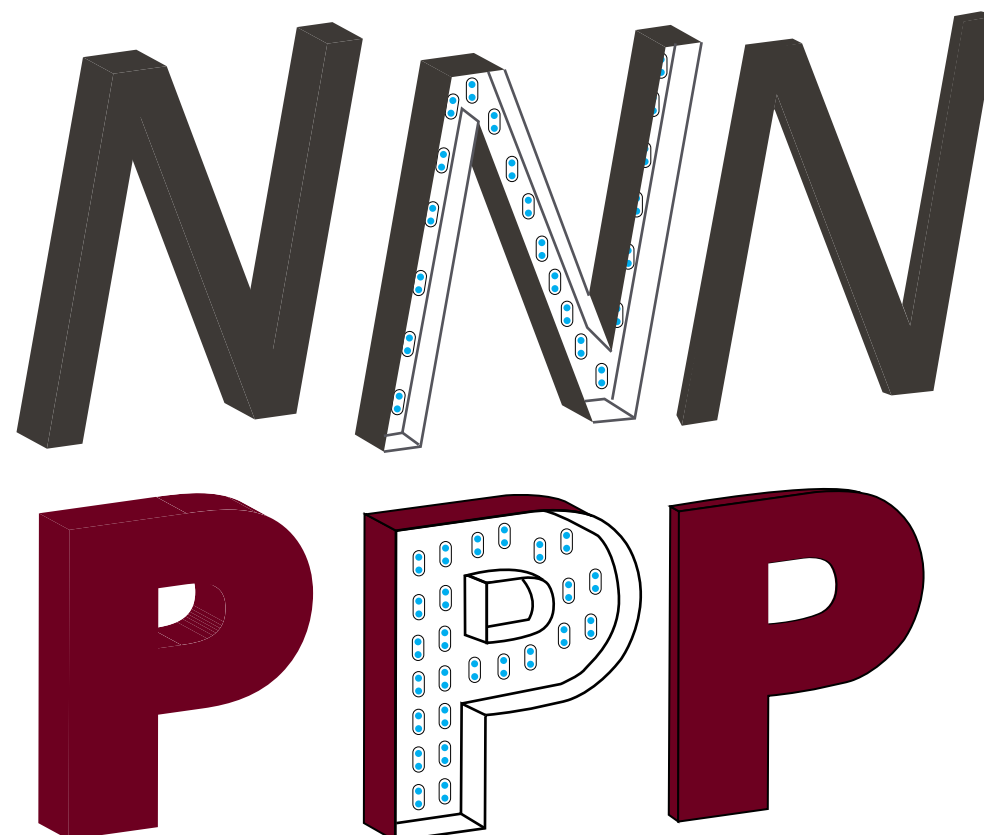
Lift



A DIMENSIONAL LETTERS
SCALE: 1:25



B SIDE VIEW
SCALE: 3/4"=1'-0"



C EXPLODED VIEW
SCALE: NTS"

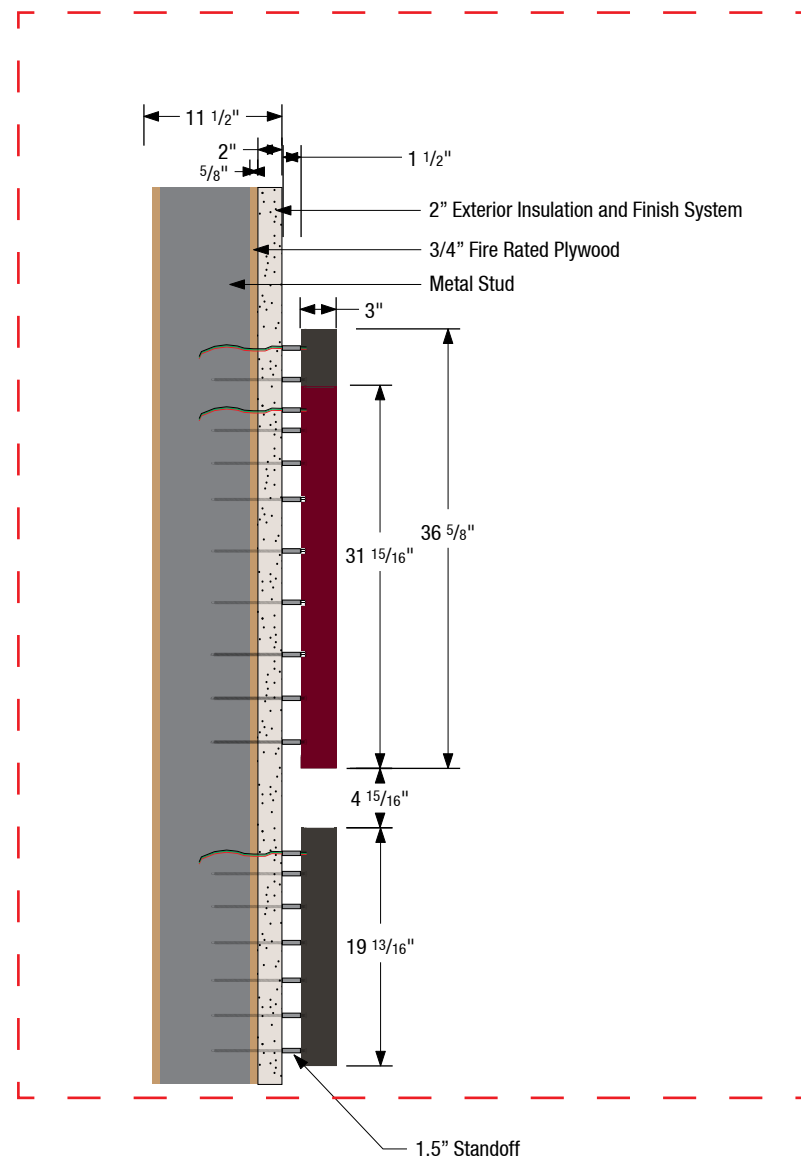
	V1	Series: 3M Scotchcal Translucent Graphic Film Color: 3M 3630-49 Burgundy Application: First Surface
	V2	Color: 3M Scotchcal Translucent Graphic Film Color: 3M #3630-69 Duranodic Application: First Surface

111 SqFt

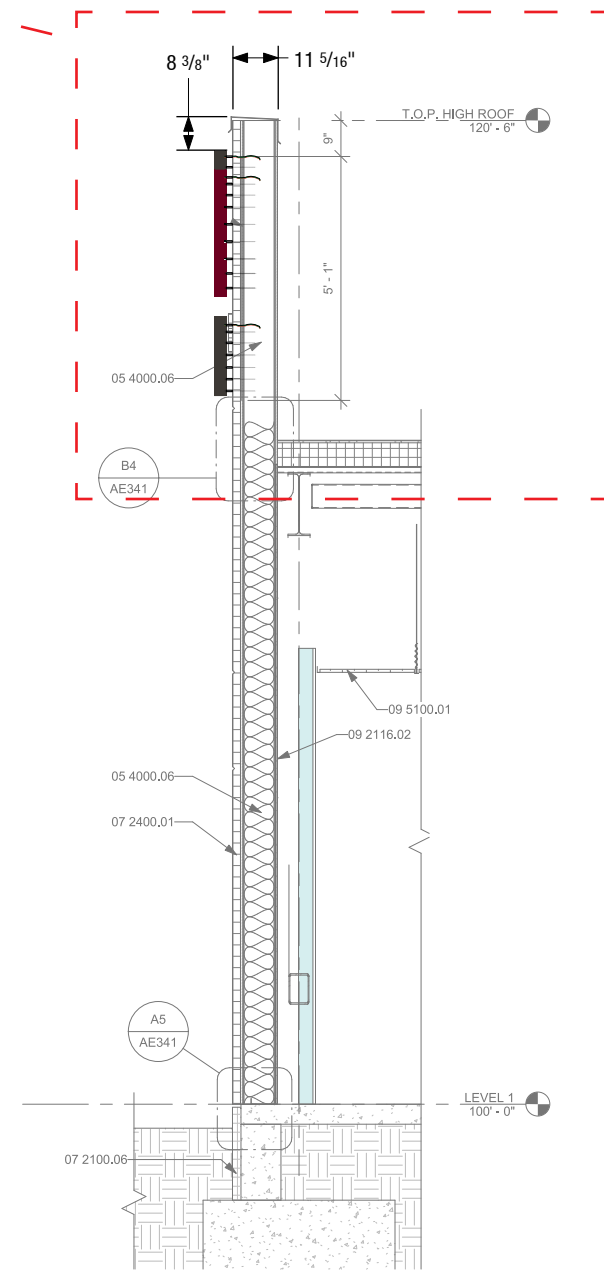
PACKAGE Q:\Presbyterian\4515 Coors - PRESNow Clinic\20190313 PRESNow Clinic Exterior\Renderings, Submittals & PDFs\Submittals\20190315 PRESNow 4515 Exterior Sign Submittal

CONTACT	DRAWN BY	CLIENT / PROJECT	SUBMITTAL DATE	DRAWING REVISED DATE	SHEET TITLE	SHEET
Albuquerque / Phoenix P 505.888.2901 ext 104 F 505.888.2902 csbsigns.com	Johnathan Sylversmythe JohnathanS@csbsigns.com <small>This artwork and design is owned by Century Sign Builders unless expressly stated. Use of this document or the design shown here without permission is prohibited.</small>	Client / GC: Presbyterian PRESNow Project: 20190313 PRESNow Clinic Exterior	00/00/0000 <small>Sign Package Modification Date: June 13, 2019 12:42 PM</small>	00/00/0000	Design and Specification	56
		APPROVAL REQUIRED FOR PRODUCTION	SIGNATURE / DATE			





A **DETAIL SIDE VIEW COMPONENTS**
SCALE: 3/4"=1'-0"

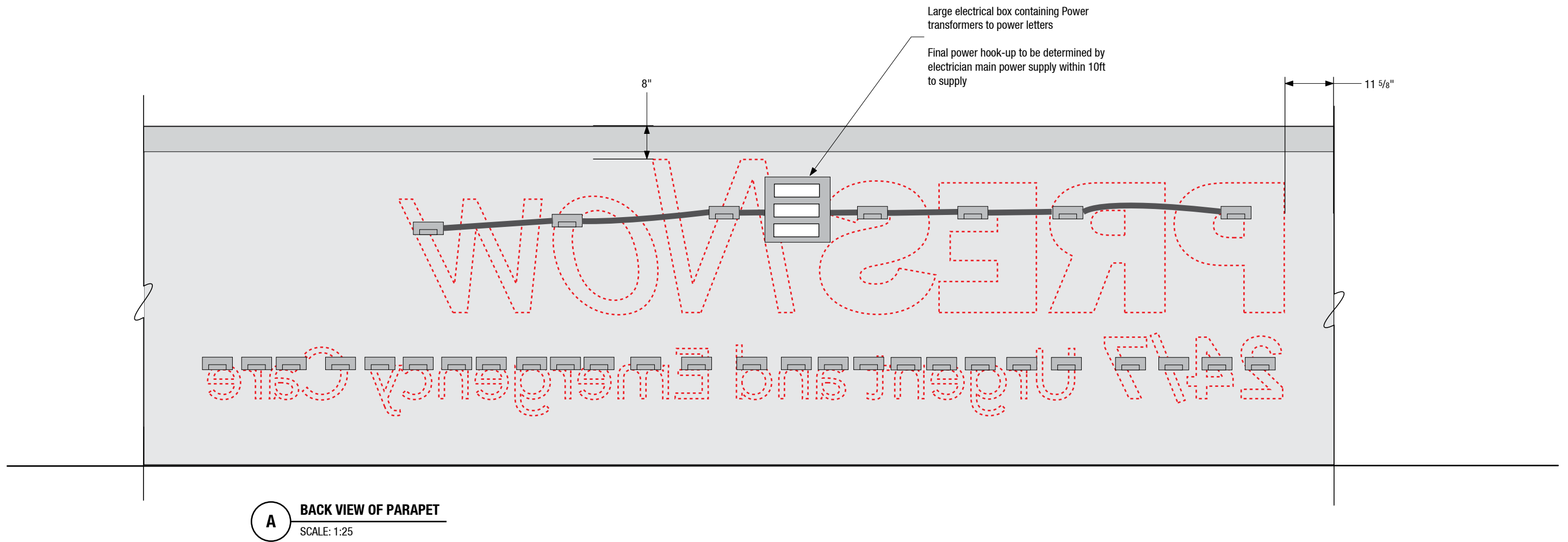


B **SIDE VIEW WALL 1**
SCALE: 1/4"=1'-0"

PACKAGE Q:\Presbyterian\4515 Coors - PRENow Clinic\20190313 PRENow Clinic Exterior\Renderings, Submittals & PDFs\Submittals\20190315 PRENow 4515 Exterior Sign Submittal

CONTACT	DRAWN BY	CLIENT / PROJECT	SUBMITTAL DATE	DRAWING REVISED DATE	SHEET TITLE	SHEET
Albuquerque / Phoenix P 505.888.2901 ext 104 F 505.888.2902 csbsigns.com	Johnathan Sylversmythe JohnathanS@csbsigns.com This artwork and design is owned by Century Sign Builders unless expressly stated. Use of this document or the design shown here without permission is prohibited.	Client / GC: Presbyterian PRENow Project: 20190313 PRENow Clinic Exterior APPROVAL REQUIRED FOR PRODUCTION	00/00/0000 Sign Package Modification Date: June 13, 2019 12:42 PM	00/00/0000	Side Wall Elevations Installation	57
		SIGNATURE / DATE				



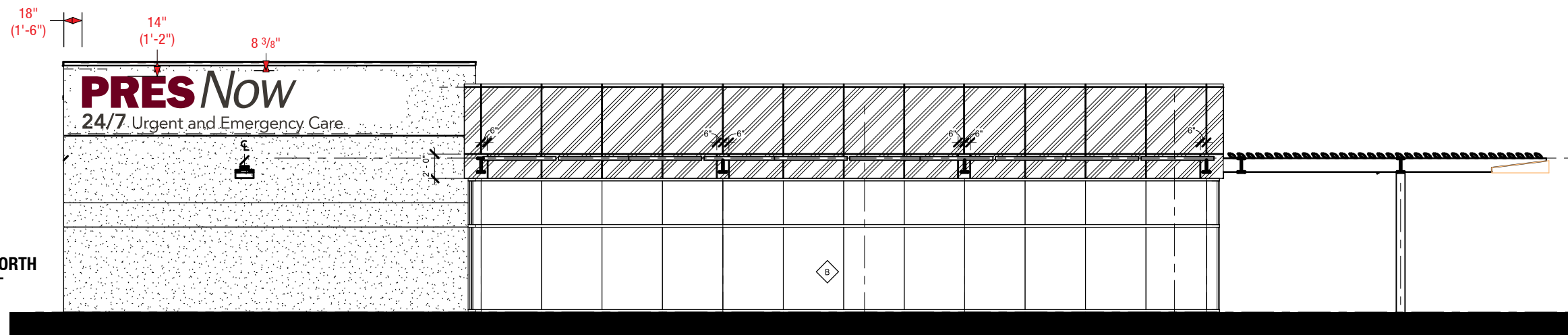


A BACK VIEW OF PARAPET
SCALE: 1:25

PACKAGE Q:\Presbyterian\4515 Coors - PRENow Clinic\20190313 PRENow Clinic Exterior\Renderings, Submittals & PDFs\Submittals\20190315 PRENow 4515 Exterior Sign Submittal

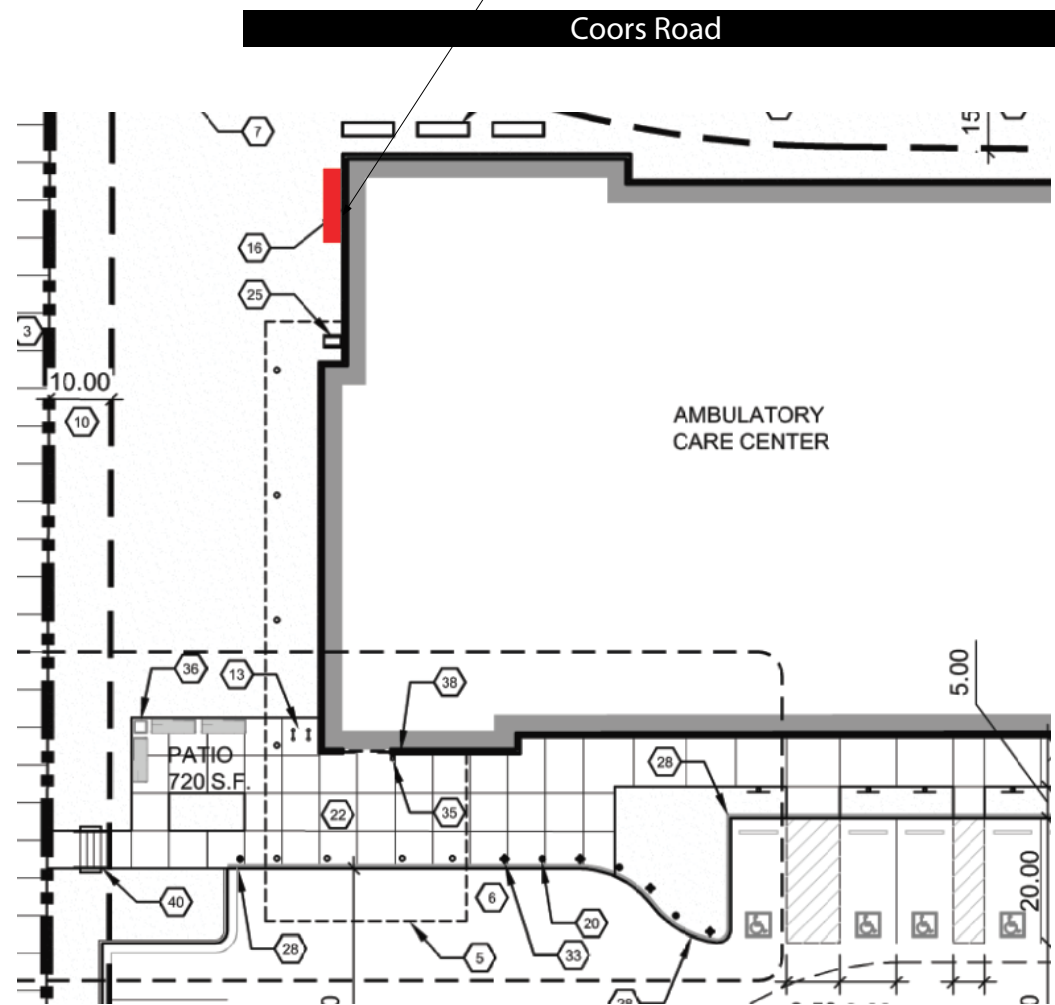
CONTACT	DRAWN BY	CLIENT / PROJECT	SUBMITTAL DATE	DRAWING REVISED DATE	SHEET TITLE	SHEET
Albuquerque / Phoenix P 505.888.2901 ext 104 F 505.888.2902 csbsigns.com	Johnathan Sylversmythe JohnathanS@csbsigns.com <small>This artwork and design is owned by Century Sign Builders unless expressly stated. Use of this document or the design shown here without permission is prohibited.</small>	Client / GC: Presbyterian PRENow Project: 20190313 PRENow Clinic Exterior APPROVAL REQUIRED FOR PRODUCTION	00/00/0000 <small>Sign Package Modification Date: June 13, 2019 12:42 PM</small>	00/00/0000	Electrical Conduit on back of Parapet	58
		SIGNATURE / DATE				



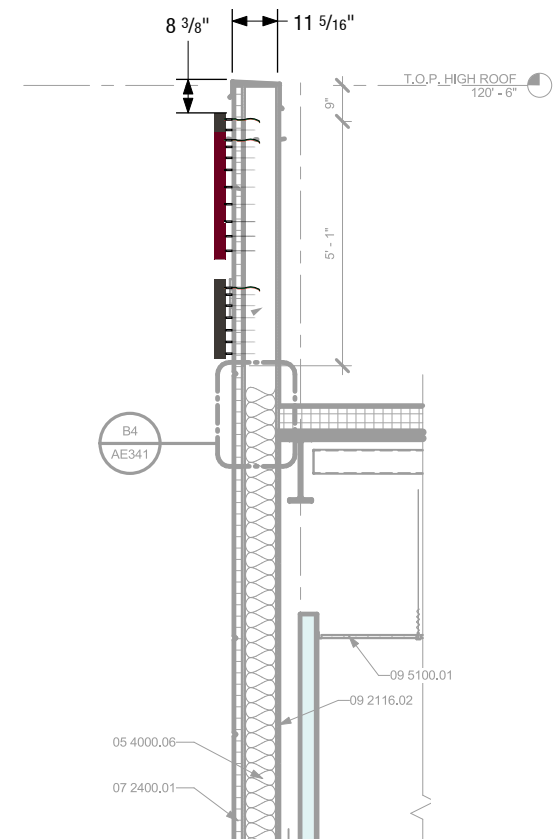


A BUILDING ELEVATION - NORTH
SCALE: 3/16"=1'

Sign installed here on North side of building



B BUILDING ELEVATION - NORTH MACRO VIEW
SCALE: NTS



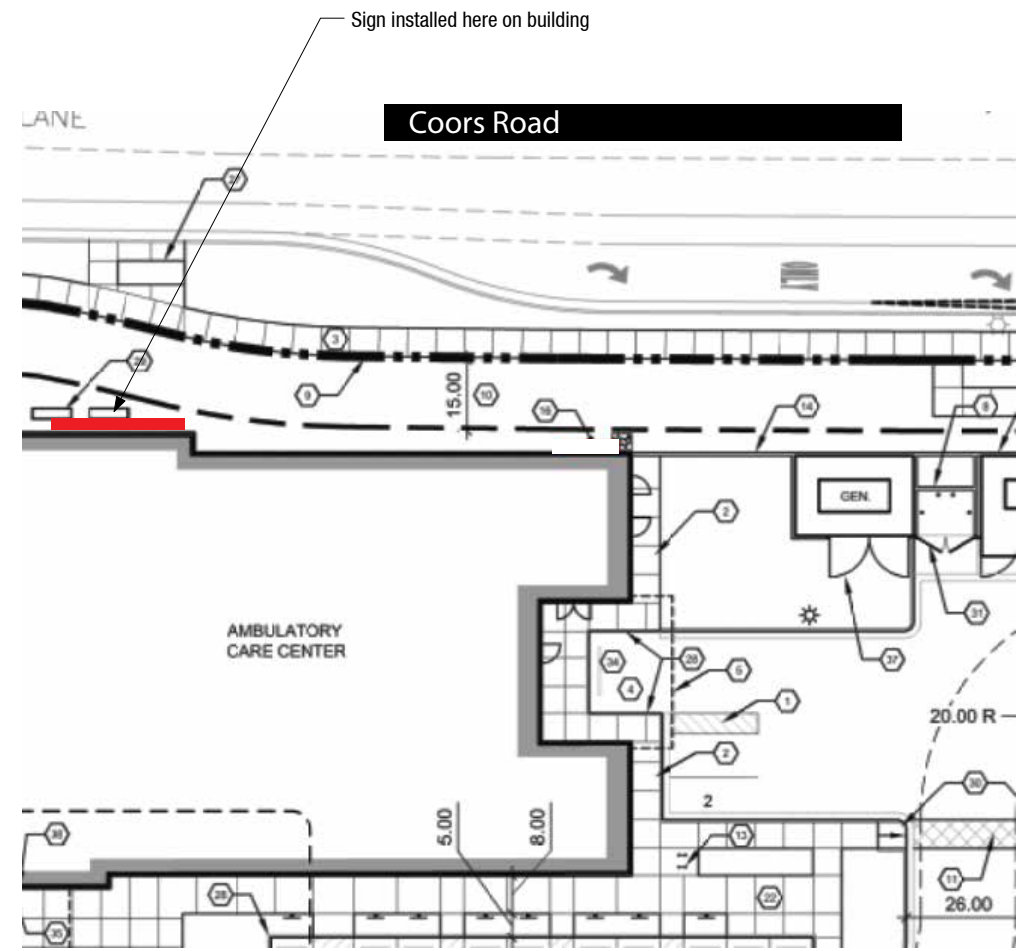
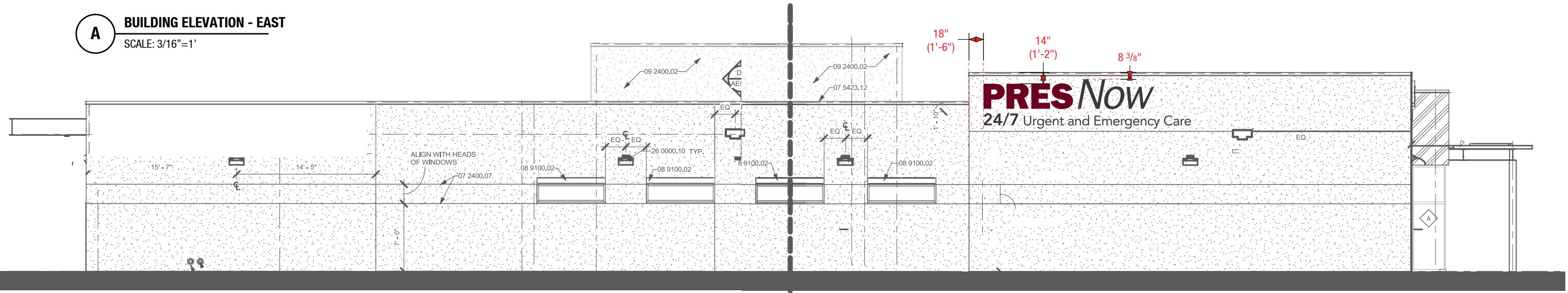
C BUILDING ELEVATION - SIDE VIEW
SCALE: 1/4"=1'

PACKAGE Q:\Presbyterian\4515 Coors - PRESNow Clinic\20190313 PRESNow Clinic Exterior\Renderings, Submittals & PDFs\Submittals\20190315 PRESNow 4515 Exterior Sign Submittal

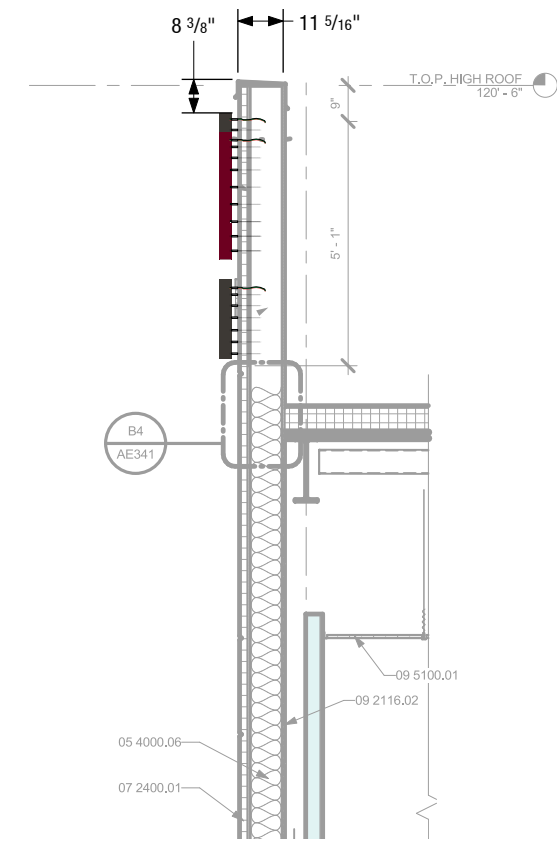
CONTACT	DRAWN BY	CLIENT / PROJECT	SUBMITTAL DATE	DRAWING REVISED DATE	SHEET TITLE	SHEET
Albuquerque / Phoenix P 505.888.2901 ext 104 F 505.888.2902 csbsigns.com	Johnathan Sylversmythe JohnathanS@csbsigns.com This artwork and design is owned by Century Sign Builders unless expressly stated. Use of this document or the design shown here without permission is prohibited.	Client / GC: Presbyterian PRESNow Project: 20190313 PRESNow Clinic Exterior APPROVAL REQUIRED FOR PRODUCTION	00/00/0000 Sign Package Modification Date: June 13, 2019 12:42 PM	00/00/0000	Installation on North Side of Building	59
		SIGNATURE / DATE				



A BUILDING ELEVATION - EAST
SCALE: 3/16"=1'



B BUILDING ELEVATION - EAST MACRO VIEW
SCALE: NTS



C BUILDING ELEVATION - SIDE VIEW
SCALE: 1/4"=1'

PACKAGE Q:\Presbyterian\4515 Coors - PRESNow Clinic\20190313 PRESNow Clinic Exterior\Renderings, Submittals & PDFs\Submittals\20190315 PRESNow 4515 Exterior Sign Submittal

CONTACT	DRAWN BY	CLIENT / PROJECT	SUBMITTAL DATE	DRAWING REVISED DATE	SHEET TITLE	SHEET
Albuquerque / Phoenix P 505.888.2901 ext 104 F 505.888.2902 csbsigns.com	Johnathan Sylversmythe JohnathanS@csbsigns.com <small>This artwork and design is owned by Century Sign Builders unless expressly stated. Use of this document or the design shown here without permission is prohibited.</small>	Client / GC: Presbyterian PRESNow Project: 20190313 PRESNow Clinic Exterior APPROVAL REQUIRED FOR PRODUCTION	00/00/0000 Sign Package Modification Date: June 13, 2019 12:42 PM	00/00/0000	Installation on East Side of Building	60





Electrical wires run through back



Conduit, electrical boxes, and wire set-up



Final electrical set-up



Main power box to hold LED power supplies Electrician to run main power to box for final hook up

PACKAGE Q:\Presbyterian\4515 Coors - PRESNow Clinic\20190313 PRESNow Clinic Exterior\Renderings, Submittals & PDFs\Submittals\20190315 PRESNow 4515 Exterior Sign Submittal

CONTACT	DRAWN BY	CLIENT / PROJECT	SUBMITTAL DATE	DRAWING REVISED DATE	SHEET TITLE	SHEET
Albuquerque / Phoenix P 505.888.2901 ext 104 F 505.888.2902 csbsigns.com	Johnathan Sylversmythe JohnathanS@csbsigns.com This artwork and design is owned by Century Sign Builders unless expressly stated. Use of this document or the design shown here without permission is prohibited.	Client / GC: Presbyterian PRESNow Project: 20190313 PRESNow Clinic Exterior APPROVAL REQUIRED FOR PRODUCTION	00/00/0000 Sign Package Modification Date: June 13, 2019 12:42 PM	00/00/0000	Type Description of Sheet	61
		SIGNATURE / DATE				



Sign Type Illuminated Channel Letters

Description: Halo Illuminated Dimensional Letters

QUANTITY
1 Set - Double Quantity for 2 sets

SPECIFICATIONS

1. SG BOXES WITH BLANK COVERS
Quantity: 16

2. ELECTRICAL FLEX CONDUIT
Type: Exterior rated Liquid Tight Conduit
Length: 50'
Size: 1/2"

3. CONDUIT NIPPLES
Quantity: 80

4. WEATHER PROOF BOXES
Size: 6x10
Quantity: 3

5. CONDUIT CLIPS
Size: 3/4"
Quantity: Box of 100
Type: EMT one hole strap or equivalent.

6. WIRE NUTS BLUE & ORANGE
Type: IDEAL 73B Orange Wire-Nut 100-Pack
Orange Wire Connectors
Quantity: 2 Bags

Type: IDEAL 71B WIRE-NUT 150-Pack Gray
Wire Connectors
Quantity: 2 Bags

7. SPECIALTY BIT
Size: Length varies on wall
Type: Depends on wall type for Wood, Brick,
Concrete, Etc.
Quantity: 1

8. PHOTOSENSORS
Type: 3002 Tork Photocontrol Flushmounting
Hole: 1 1/16"
Quantity: 3

9. SILICONE SEALANT
Type: 3M 550 FC
Polyurethane Adhesive Sealant 550 Fast
Cure
Quantity: 3 to 4

10. WASHERS
Size: 1.25" O.D.
Hole: Minimum 3/8" to 1/2"
Quantity: 25 or 1 per whip of each letter or
logo

11. SILICONE SEALANT
Type: Dow Corning 1119 Sealant
Quantity: 5 to 6 cans



Drill Bit will vary due to wall
material confirm wall system type

PACKAGE Q:\Presbyterian\4515 Coors - PRENow Clinic\20190313 PRENow Clinic Exterior\Renderings, Submittals & PDFs\Submittals\20190315 PRENow 4515 Exterior Sign Submittal

CONTACT	DRAWN BY	CLIENT / PROJECT	SUBMITTAL DATE	DRAWING REVISED DATE	SHEET TITLE	SHEET
Albuquerque / Phoenix P 505.888.2901 ext 104 F 505.888.2902 csbnsigns.com	Johnathan Sylversmythe JohnathanS@csbnsigns.com This artwork and design is owned by Century Sign Builders unless expressly stated. Use of this document or the design shown here without permission is prohibited.	Client / GC: Presbyterian PRENow Project: 20190313 PRENow Clinic Exterior APPROVAL REQUIRED FOR PRODUCTION	00/00/0000 Sign Package Modification Date: June 13, 2019 12:42 PM	00/00/0000	Type Description of Sheet	62
		SIGNATURE / DATE				

