

**ADMINISTRATIVE AMENDMENT**

**FILE # \_\_\_\_\_ PROJECT # \_\_\_\_\_**

\_\_\_\_\_

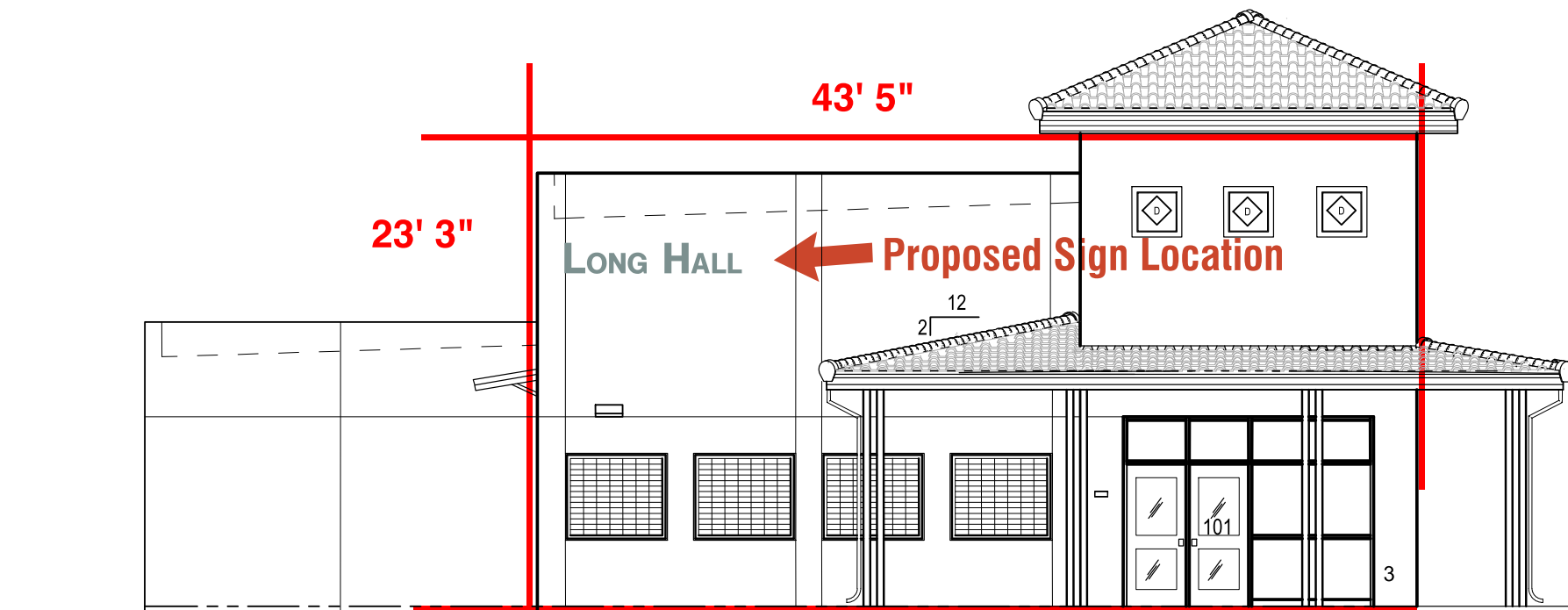
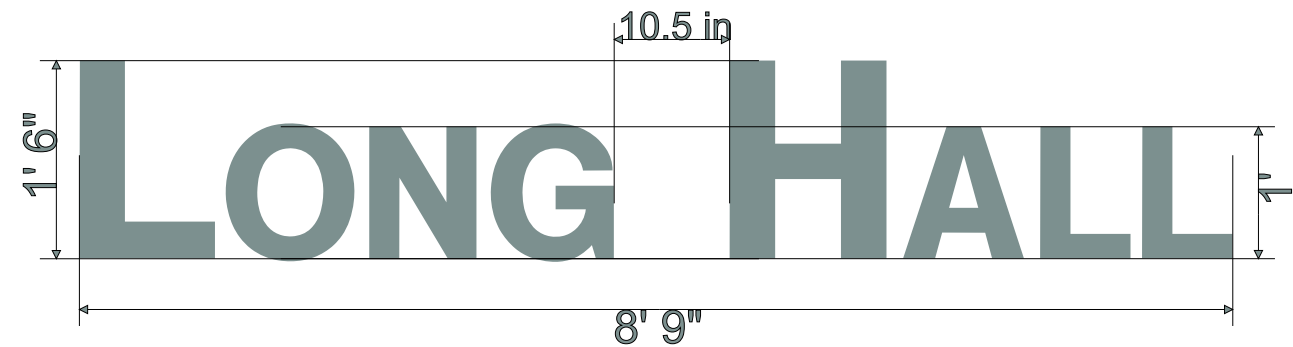
\_\_\_\_\_

\_\_\_\_\_

**APPROVED BY**

**DATE**

# Non-Illuminated Aluminum Letters



C3 ALTERNATE EXTERIOR ELEVATION - SOUTH

## ESA - St. Therese Catholic School

Address: 311 Shropshire Place NW  
City/State: Albuquerque NM 87107  
Phone: 505-884-2171, Kurt Schlough, ESA

 **SignPlex**<sup>™</sup>  
Indoor - Outdoor Innovations  
P: 505-341-0213 F: 505-341-3291  
4901 Edith BLVD NE, Albuquerque NM 87107  
License Number: 368298 EE98 & GS23

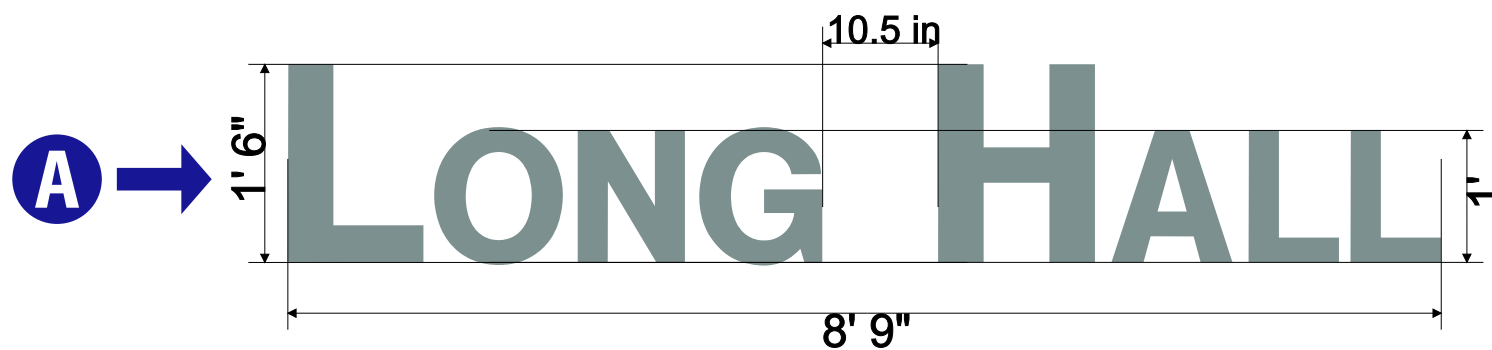
## Sign Details

- A** Quantity 1: Non-illuminated building letters  
Sign Size: 8' 9" W x 1' 6" H Sign sq/ft: 13.31 sq/ft

Total Signage sq/ft: 13.31 sq/ft

Leased Space Facade sq/ft: 43' 5" x 23' 3" = 1,011.38 sq/ft

Sign is : 13 % of the Facade



### Building Letter Details

- A** 3" Thick, cast aluminum building letters, brushed finish. Non-illuminated. Flush mounted to building facade.

## ESA - St. Therese Catholic School

Address: 311 Shropshire Place NW

City/State: Albuquerque NM 87107

Phone: 505-884-2171, Kurt Schlough, ESA



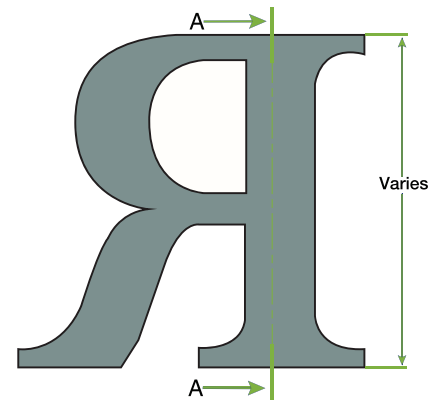
Indoor - Outdoor Innovations

P: 505-341-0213 F: 505-341-3291

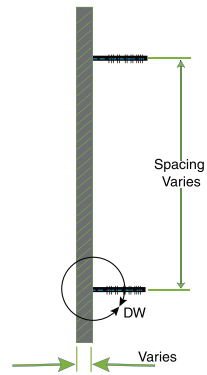
4901 Edith BLVD NE, Albuquerque NM 87107

License Number: 368298 EE98 & GS23

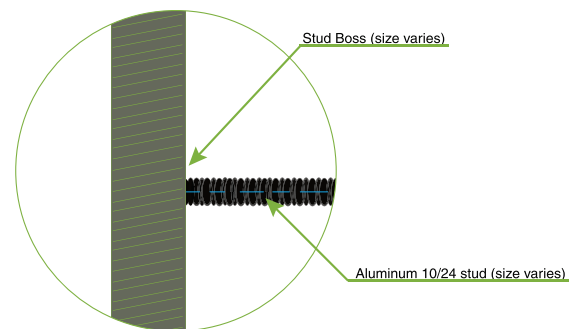
# Mounting Details



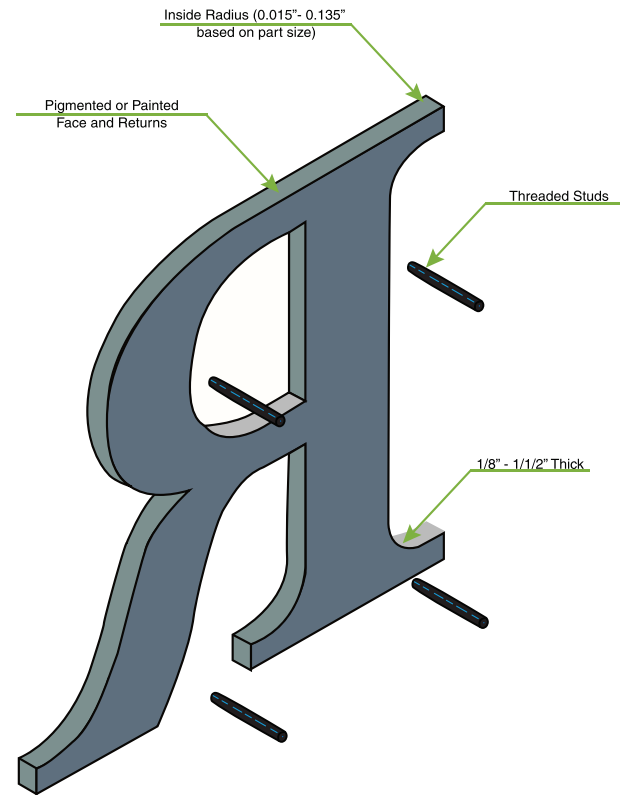
Front View



Section View (A-A)

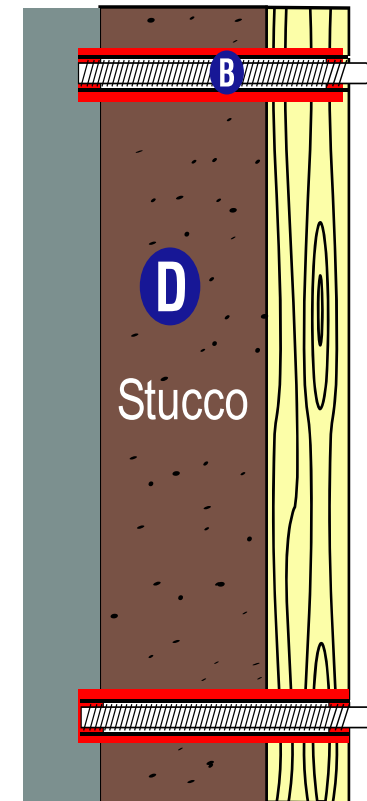


Detail DW

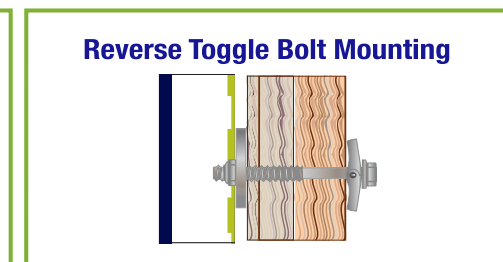
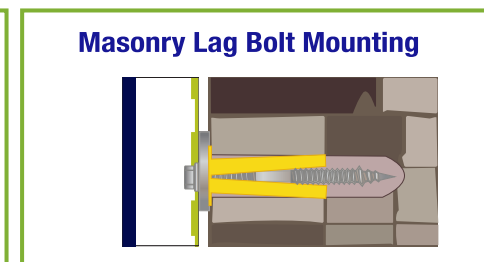
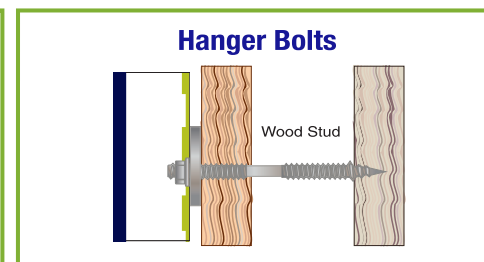
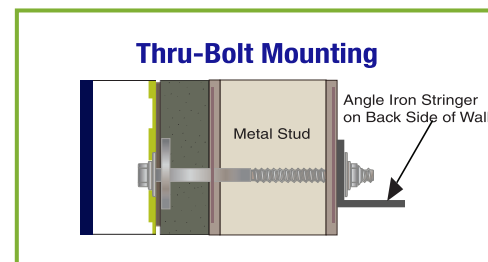


Back View

- A** 3/8" Thick flat cut aluminum
- B** 3/16" Studs
- C** Red indicates silicone adhesive
- D** Stucco Wall with plywood back



## MOUNTING OPTIONS



## ESA - St. Therese Catholic School

Address: 311 Shropshire Place NW  
 City/State: Albuquerque NM 87107  
 Phone: 505-8842171, Kurt Schlough, ESA

**SignPlex**<sup>™</sup>  
 Indoor - Outdoor Innovations  
 P:505-341-0213 F:505-341-3291  
 4901 Edith BLVD NE, Albuquerque NM 87107  
 License Number: 368298 EE98 & GS23

# Site Plan

