



## 6400 Presbyterian PRESNow Re-Design Exterior Letters

Exterior Sign Package

Project Number:

**Number of Sheets:** 34

**Owner:** Presbyterian

**General Contractor:** NA

**Architect:** DPS

**CSB Project Manager:** Ingrid Kocher

**CSB Designer:** Johnathan Sylversmythe

**Submitted Date:** TBD

**Submitted To:** Diana Lamb

**Submitted Type:** Digital Copy / Hard Copy

**Document Size:** 11x17

**Approval Due Date:** TBD

**Scheduled Install Date:** TBD

**Rev 1 Submitted Date:**

**Rev 1 Revised/New Sheets:**

**Rev 2 Submitted Date:**

**Rev 2 Revised/New Sheets:**

## Contents

North Elevation Placement  
03

---

Daytime Simulation  
03

---

North Elevation Placement  
04

---

Night Time Simulation  
04

---

West Elevation Placement  
05

---

Daytime Simulation  
05

---

West Elevation Placement  
06

---

Night Time Simulation  
06

---

R.1 Sign Type Placement West of building  
07

---

Illuminated Letter placements on building  
08

---

DRB Sheet  
Specifications of signs  
09

---

DRB Placement Sheet  
Placement of signs  
10

---

## R.1 Sign Type 11

---

Design and Specifications  
12

---

Graphic Layout  
13

---

Construction  
14

---

Bracket details for electronic sign  
15

---

Footing specifications  
16

---

Electrical  
17

---

R.1 Placement  
18

---

## Exterior PRESNow Front Lit Letters 19

---

Design and Specification  
20

---

Wall Sections Type for mounting  
21

---

General View of Parapit Electrical Hook-Up  
22

---

Photo Example of Entire Hook-Up  
23

---

Supplies needed to complete Electrical Hook-Up  
24

---

PRESNow Front lit letters West Side Installation details  
25

---

PRESNow Daytime View of Front Lit Letters  
26

---

PRESNow Night time view of Letters  
27

---

PRESNow Front lit letters North Side Installation  
details  
28

---

PRESNow Daytime View of Front Lit Letters North Side  
29

---

PRESNow Nigh-time View of Front Lit Letters North  
Side  
30

---

## B.1 (A3) Replace Lexan Panels with revised Design 31

---

Design and Specification  
32

---

Graphic Layout of Replacement Lexan Face  
33

---

Location of sign having replacement faces  
34

---



**NORTH ELEVATION - OPTION #3**

**DAYTIME SIMULATION**

SCALE: 3/32"=1'

**111 SqFt**

\* Note Space between brought in a bit more than original logo



**PRES**  
Height: 31"  
Visibility: 525'

**Emergency "E"**  
Height: 12"  
Visibility: 300'

PACKAGE Q:\Presbyterian\6400 Paseo Del Norte\20190516 PresNow New Building Sign Design\Exterior Submittal\20190518\_PRESNowExterior\_FrontLitChannel Letters

CONTACT	DRAWN BY	CLIENT / PROJECT	SUBMITTAL DATE	DRAWING REVISED DATE	SHEET TITLE	SHEET
Albuquerque / Phoenix P 505.888.2901 ext 104 F 505.888.2902 csbsigns.com	Johnathan Sylversmythe JohnathanS@csbsigns.com <small>This artwork and design is owned by Century Sign Builders unless expressly stated. Use of this document or the design shown here without permission is prohibited.</small>	Client / GC: 6400 Presbyterian PRESNow Project: Re-Design of Exterior Signage <b>APPROVAL REQUIRED FOR PRODUCTION</b> SIGNATURE / DATE	00/00/0000 Sign Package Modification Date: June 10, 2019 11:48 AM	00/00/0000	North Elevation Placement Daytime Simulation	<b>03</b>







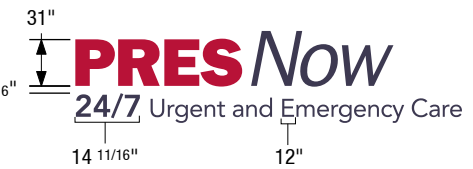
**NORTH ELEVATION - OPTION #3**

**NIGHT-TIME SIMULATION**

SCALE: 3/32"=1'

**111 SqFt**

\* Note Space between brought in a bit more than original logo



**PRES**  
Height: 31"  
Visibility: 525'

**Emergency "E"**  
Height: 12"  
Visibility: 300'

PACKAGE Q:\Presbyterian\6400 Paseo Del Norte\20190516 PresNow New Building Sign Design\Exterior Submittal\20190518\_PRESNowExterior\_FrontLitChannel Letters

CONTACT	DRAWN BY	CLIENT / PROJECT	SUBMITTAL DATE	DRAWING REVISED DATE	SHEET TITLE	SHEET
Albuquerque / Phoenix P 505.888.2901 ext 104 F 505.888.2902 csbsigns.com	Johnathan Sylversmythe JohnathanS@csbsigns.com <small>This artwork and design is owned by Century Sign Builders unless expressly stated. Use of this document or the design shown here without permission is prohibited.</small>	Client / GC: 6400 Presbyterian PRESNow Project: Re-Design of Exterior Signage  <b>APPROVAL REQUIRED FOR PRODUCTION</b> SIGNATURE / DATE	00/00/0000 <small>Sign Package Modification Date: June 10, 2019 11:48 AM</small>	00/00/0000	North Elevation Placement Night Time Simulation	<b>04</b>







**WEST ELEVATION - OPTION #3**

DAYTIME SIMULATION

SCALE: 3/32"=1'

**111 SqFt**

\* Note Space between brought in a bit more than original logo



**PRES**  
Height: 31"  
Visibility: 525'

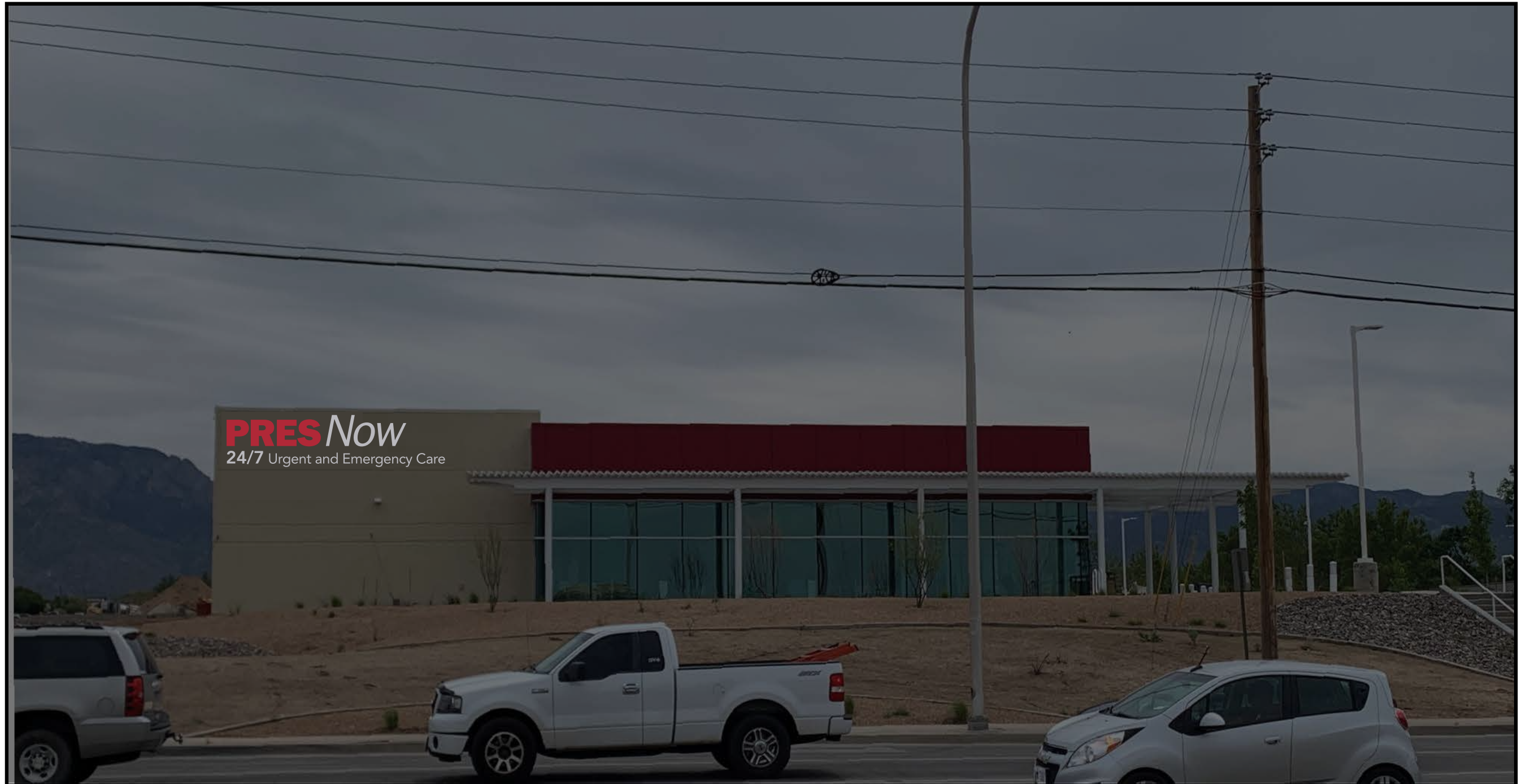
**Emergency "E"**  
Height: 12"  
Visibility: 300'

PACKAGE Q:\Presbyterian\6400 Paseo Del Norte\20190516 PresNow New Building Sign Design\Exterior Submittal\20190518\_PRESNowExterior\_FrontLitChannel Letters

CONTACT	DRAWN BY	CLIENT / PROJECT	SUBMITTAL DATE	DRAWING REVISED DATE	SHEET TITLE	SHEET
Albuquerque / Phoenix P 505.888.2901 ext 104 F 505.888.2902 csbsigns.com	Johnathan Sylversmythe JohnathanS@csbsigns.com <small>This artwork and design is owned by Century Sign Builders unless expressly stated. Use of this document or the design shown here without permission is prohibited.</small>	Client / GC: 6400 Presbyterian PRESNow Project: Re-Design of Exterior Signage <b>APPROVAL REQUIRED FOR PRODUCTION</b> SIGNATURE / DATE	00/00/0000 <small>Sign Package Modification Date: June 10, 2019 11:48 AM</small>	00/00/0000	West Elevation Placement Daytime Simulation	<b>05</b>







**WEST ELEVATION - OPTION #3**

**NIGHT-TIME SIMULATION**

SCALE: 3/32"=1'

**111 SqFt**

\* Note Space between brought in a bit more than original logo



**PRES**  
Height: 31"  
Visibility: 525'

**Emergency "E"**  
Height: 12"  
Visibility: 300'

PACKAGE Q:\Presbyterian\6400 Paseo Del Norte\20190516 PresNow New Building Sign Design\Exterior Submittal\20190518\_PRESNowExterior\_FrontLitChannel Letters

CONTACT	DRAWN BY	CLIENT / PROJECT	SUBMITTAL DATE	DRAWING REVISED DATE	SHEET TITLE	SHEET
Albuquerque / Phoenix P 505.888.2901 ext 104 F 505.888.2902 csbsigns.com	Johnathan Sylversmythe JohnathanS@csbsigns.com <small>This artwork and design is owned by Century Sign Builders unless expressly stated. Use of this document or the design shown here without permission is prohibited.</small>	Client / GC: 6400 Presbyterian PRESNow Project: Re-Design of Exterior Signage <b>APPROVAL REQUIRED FOR PRODUCTION</b> SIGNATURE / DATE	00/00/0000 <small>Sign Package Modification Date: June 10, 2019 11:48 AM</small>	00/00/0000	West Elevation Placement Night Time Simulation	<b>06</b>







Illum. **R.1** FRONT VIEW  
SCALE: 3/8"=1'



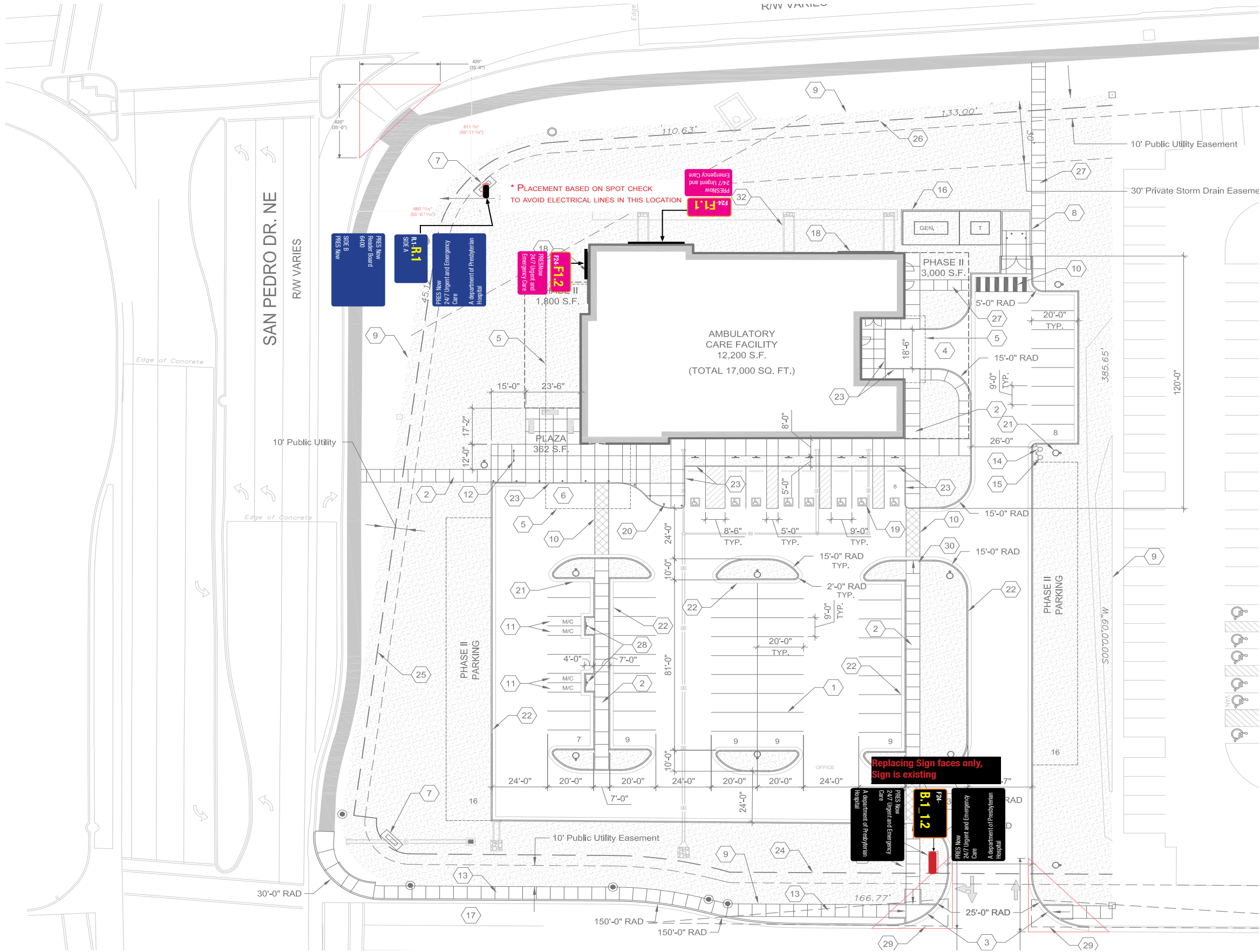
Illum. **R.1** SIDE VIEW  
SCALE: 3/8"=1'



PACKAGE Q:\Presbyterian\6400 Paseo Del Norte\20190516 PresNow New Building Sign Design\Exterior Submittal\20190518\_PRESNowExterior\_FrontLitChannel Letters



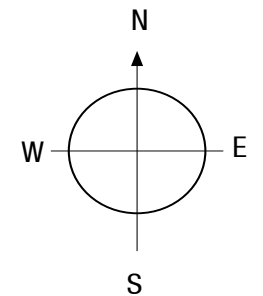
CONTACT	DRAWN BY	CLIENT / PROJECT	SUBMITTAL DATE	DRAWING REVISED DATE	SHEET TITLE	SHEET
Albuquerque / Phoenix P 505.888.2901 ext 104 F 505.888.2902 csbsigns.com	Johnathan Sylversmythe JohnathanS@csbsigns.com <small>This artwork and design is owned by Century Sign Builders unless expressly stated. Use of this document or the design shown here without permission is prohibited.</small>	Client / GC: 6400 Presbyterian PRESNow Project: Re-Design of Exterior Signage <b>APPROVAL REQUIRED FOR PRODUCTION</b> SIGNATURE / DATE	00/00/0000 <small>Sign Package Modification Date: June 10, 2019 11:48 AM</small>	00/00/0000	R.1 Sign Type Placement West of building	<b>07</b>





Black Marker New Sign   Orange Outline around Marker = Illuminated

-  **Type F1.1 / 1.2**  **PRES Now**  
24/7 Urgent and Emergency Care  
Length: 5'-1 5/8" Tall x 21' 5 3/4"  
SQF: 111
-  **Type A3 B.1\_1.2**  **Replacing Sign faces only, Sign is existing**  
Length: 72" Tall x 72" Length  
SQF: 52
-  **Type R.1**  **6400**  
Length: 13' 10 1/4" tall x 6' 9"  
SQF: 55



PACKAGE Q:\Presbyterian\6400 Paseo Del Norte\20190516 PresNow New Building Sign Design\Exterior Submittal\20190518\_PRESNowExterior\_FrontLitChannel Letters

CONTACT	DRAWN BY	CLIENT / PROJECT	SUBMITTAL DATE	DRAWING REVISED DATE	SHEET TITLE	SHEET
Albuquerque / Phoenix P 505.888.2901 ext 104 F 505.888.2902 csbsigns.com	Johnathan Sylversmythe JohnathanS@csbsigns.com This artwork and design is owned by Century Sign Builders unless expressly stated. Use of this document or the design shown here without permission is prohibited.	Client / GC: 6400 Presbyterian PRESNow Project: Re-Design of Exterior Signage <b>APPROVAL REQUIRED FOR PRODUCTION</b>	00/00/0000 Sign Package Modification Date: June 10, 2019 11:48 AM	00/00/0000	Illuminated Letter placements on building	08



Path: Q:\Presbyterian\6400 Paseo Del Norte\20180529 Pres Paseo Exterior Package\Sign Location Plans\Exterior Sign Location Plan\_MsgSchedule\_3.0\6400 Paseo Del Norte Exterior Sign Location Plan  
 June 4, 2019 2:21 PM  
 Century Sign Builders / 505.888.2901 / csbsigns.com

Sheet Size: E1 30X42

**DEKKER  
PERICH  
SABATINI**

7601 JEFFERSON NE, SUITE 100  
ALBUQUERQUE, NM 87109

505.761.9700 / DPSDESIGN.ORG

ARCHITECT

ENGINEER

PROJECT

PHS AMBULATORY CARE FACILITY

PALOMAS AVENUE NE  
ALBUQUERQUE, NM 87109

REVISIONS

- △
- △
- △
- △

DRAWN BY

REVIEWED BY

DATE 3/23/2018

PROJECT NO. 180005.001

DRAWING NAME

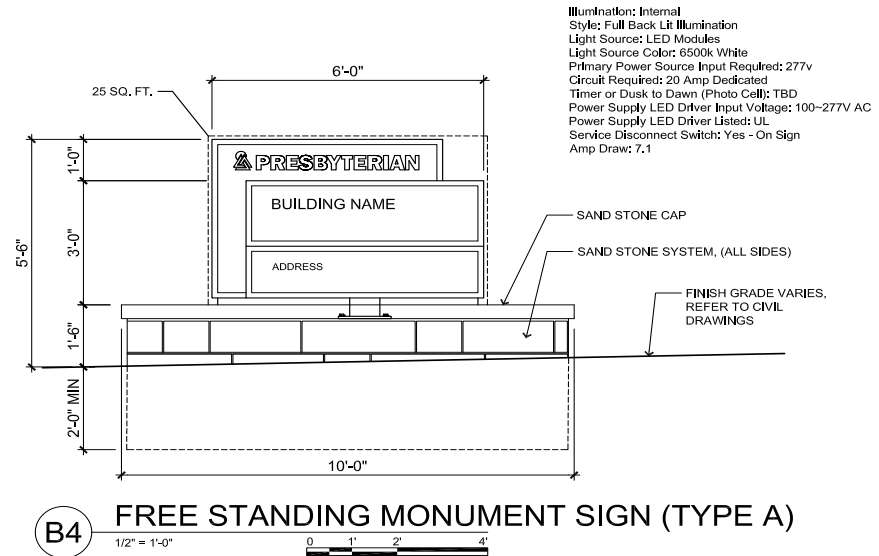
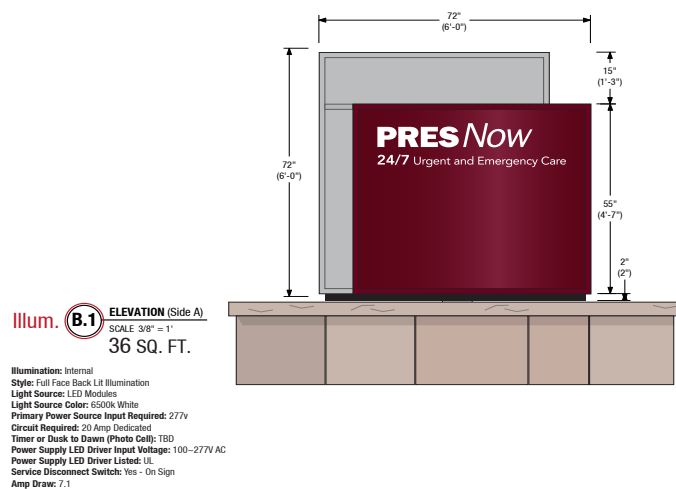
SIGN ELEVATIONS

SHEET NO.

Approved by DRB 4.24.2019

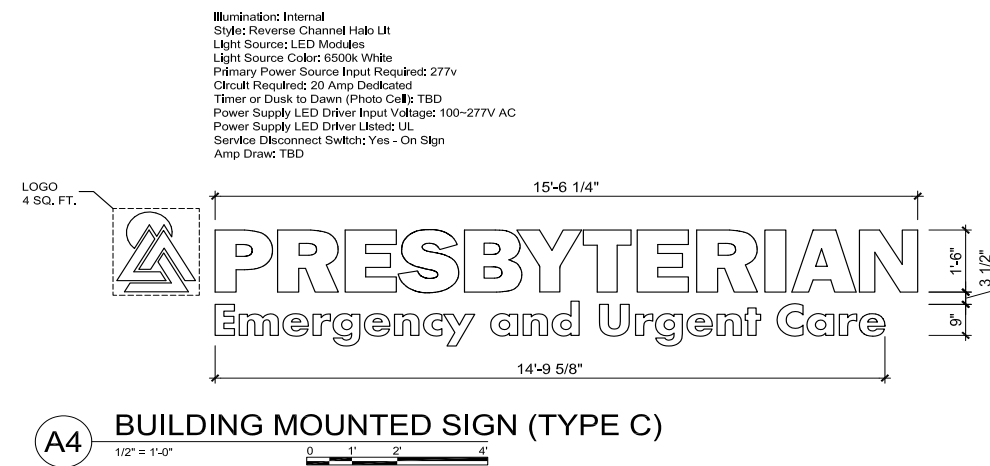
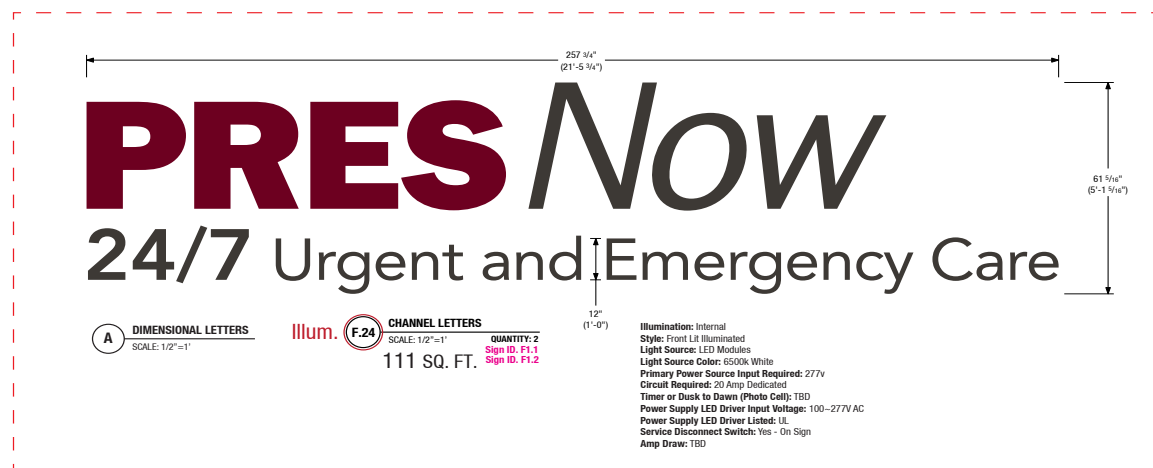


Approved by DRB 4.24.2019



Version originally submitted to DRB with site plan

Proposed Major Amendment Requires DRB Approval



Version originally submitted to DRB with site plan

PACKAGE Q:\Presbyterian\6400 Paseo Del Norte\20190516 PresNow New Building Sign Design\Exterior Submittal\20190518\_PRESNowExterior\_FrontLitChannel Letters



<b>CONTACT</b> Albuquerque / Phoenix P 505.888.2901 ext 104 F 505.888.2902 csbsigns.com	<b>DRAWN BY</b> Johnathan Sylversmythe JohnathanS@csbsigns.com This artwork and design is owned by Century Sign Builders unless expressly stated. Use of this document or the design shown here without permission is prohibited.	<b>CLIENT / PROJECT</b> Client / GC: 6400 Presbyterian PRESNow Project: Re-Design of Exterior Signage <b>APPROVAL REQUIRED FOR PRODUCTION</b> SIGNATURE / DATE	<b>SUBMITTAL DATE</b> 00/00/0000 Sign Package Modification Date: June 10, 2019 11:48 AM	<b>DRAWING REVISED DATE</b> 00/00/0000	<b>SHEET TITLE</b> DRB Sheet Specifications of signs	<b>SHEET</b> 09
---	--	---	---	---	--	--------------------



Black Marker  
New Sign

Orange Outline around Marker = Illuminated



**Type F1.1 / 1.2**  
5'1 5/8" Tall x 21' 5 3/4"  
Length  
SQF: 111

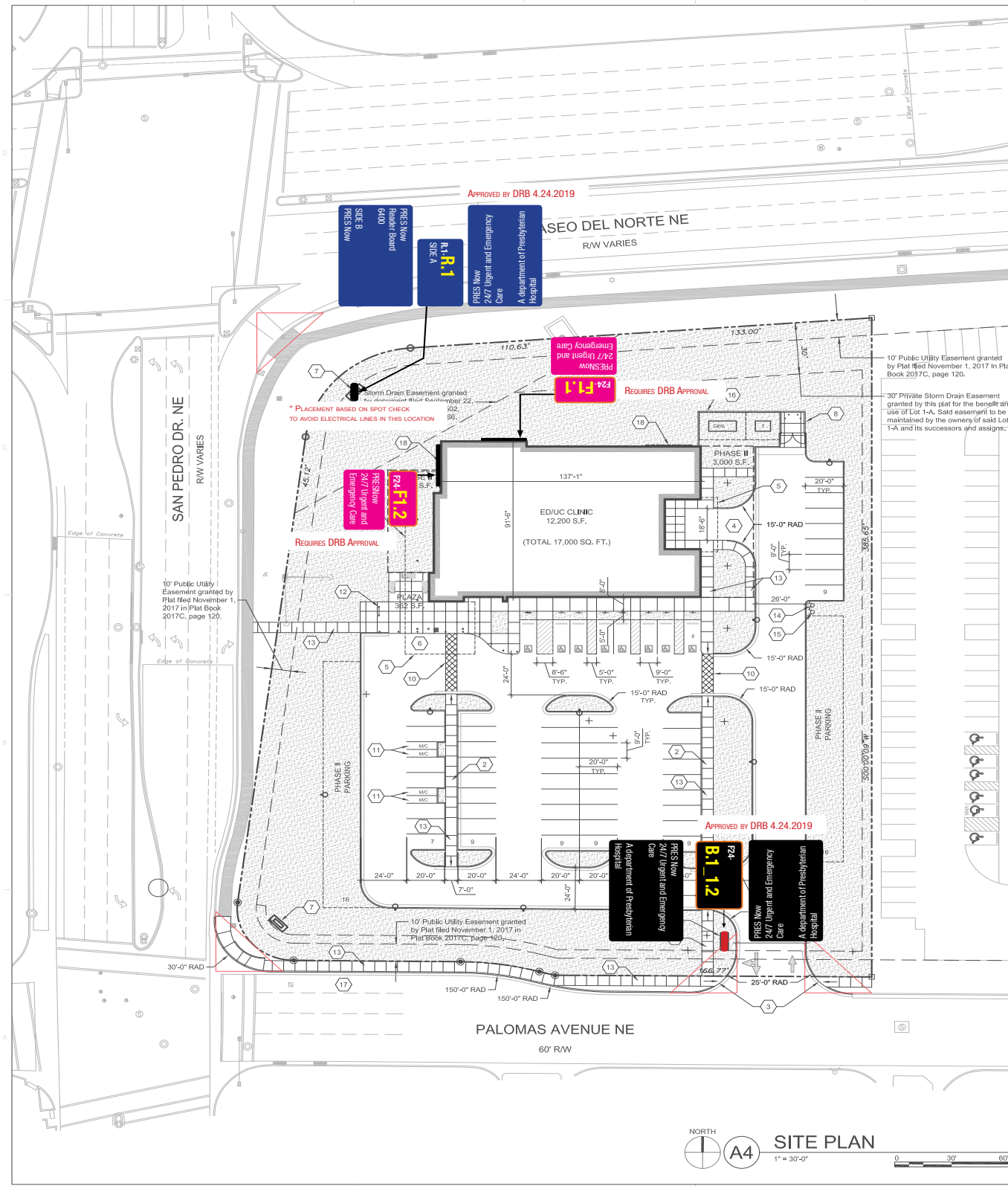
**PRES Now**  
24/7 Urgent and Emergency Care

**Type A3 B.1 1.2**  
72" Tall x 72" Length  
SQF: 52

1 Replacing Sign  
faces only, Sign  
is existing

**Type R.1**  
13' 10 1/4" Tall x 6' 9"  
Length  
SQF: 55

1



**GENERAL SHEET NOTES**

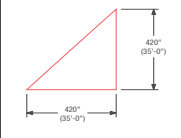
1. ALL PARKING AREAS DRIVE AISLES AND AUTOMOTIVE CIRCULATION PATHS TO BE ASPHALT PAVING.
2. ALL SIDEWALKS AND RAMPS TO BE CONCRETE.

**SHEET KEYED NOTES**

1. NEW TURN LANE
2. PEDESTRIAN PATHWAY
3. NEW CURB CUT
4. ASPHALT DRIVE FOR AMBULANCE/LOADING AREA
5. CANOPY OVERHEAD
6. PATIENT DROP-OFF
7. FREESTANDING MONUMENT SIGN (TYPE A), SEE DETAIL B4/SDP-5.2
8. DUMPSTER ENCLOSURE, SEE DETAIL D5/SDP-1.2
9. PROPERTY LINE
10. CROSSWALK, PAINTED ASPHALT STRIPING.
11. MOTORCYCLE PARKING
12. BIKE RACK
13. 6'-0" WIDE CONCRETE SIDE WALK
14. NEW PRIVATE FIRE HYDRANT, PAINT SAFETY ORANGE.
15. NEW F.D.C.
16. 7' HIGH CMU SCREEN WALL, SEE DETAIL A3/SDP-1.2
17. NEW RIGHT TURN LANE, SEE CHIL
18. BUILDING MOUNTED SIGN (TYPE B), SEE DETAIL A4/SDP-5.2

**LEGEND**

- PROPERTY LINE
- EASEMENT
- 6" WIDE CROSSWALK
- EXISTING 6" WIDE CONCRETE SIDEWALK
- LANDSCAPE AREA
- POLE LIGHT (20' MAX HEIGHT)
- SIDEWALK RAMP (ARROW POINTS DOWN)
- FIRE HYDRANT



PROJECT NO.  
APPLICATION NO.

IS AN APPROVED INFRASTRUCTURE LIST REQUIRED?  
[ ] YES [ ] NO. IF YES, THEN A SET OF APPROVED  
DRC PLANS WITH A WORK ORDER IS REQUIRED FOR ANY  
CONSTRUCTION WITHIN PUBLIC RIGHT OF WAY OR FOR  
CONSTRUCTION OF PUBLIC IMPROVEMENTS.

**DRB SITE DEVELOPMENT PLAN APPROVAL:**

TRAFFIC ENGINEERING DATE:  
TRANSPORTATION DIVISION

WATER UTILITY DEPARTMENT DATE:

PARKS & RECREATION DEPARTMENT DATE:

CITY ENGINEER DATE:

ENVIRONMENTAL HEALTH (CONDITIONAL) DATE:

SOLID WASTE MANAGEMENT DATE:

DRB CHAIRPERSON, PLANNING DEPT. DATE:

**PROJECT DATA**

**BUILDING AREA**  
PHASE I: 12,200 SF  
PHASE II: 4,800 SF  
FULL BUILD OUT AREA: 17,000 SF  
CONSTRUCTION TYPE: II  
OCCUPANCY TYPE: B

AN AUTOMATIC SPRINKLER AND SMOKE DETECTION SYSTEM SHALL BE INSTALLED THROUGHOUT THE BUILDING. SPRINKLER CONTRACTOR TO SUBMIT SHOP DRAWINGS TO THE AUTHORITY HAVING JURISDICTION. FIRE ALARM SYSTEM TO BE PROVIDED.

**PARKING CALCULATIONS**

SPACE	PHASE I	PHASE II
EMERGENCY DEPARTMENT	5	8
URGENT CARE	5	7
<b>TOTAL</b>	<b>10</b>	<b>15</b>
<b>BASIC PARKING</b>		
PHASE I	REQUIRED	PROVIDED
10 PROVIDERS AT 5 SPACES PER PROVIDER =	50 SPACES	60 SPACES
<b>FULL BUILD OUT</b>		
PHASE II	REQUIRED	PROVIDED
15 PROVIDERS AT 5 SPACES PER PROVIDER =	75 SPACES	92 SPACES
<b>ACCESSIBLE PARKING</b>		
PHASE I: 60 SPACES, 4 REQUIRED PER ZONING CODE		
8 SPACES PROVIDED; 2 VAN ACCESSIBLE		
PHASE II: 92 SPACES, 4 REQUIRED PER ZONING CODE		
8 SPACES PROVIDED; 6 ACCESSIBLE, 2 VAN ACCESSIBLE		
<b>MOTORCYCLE SPACES</b>		
3 REQUIRED FOR \$1100 SPACES (BOTH PHASE I AND II BUILD OUT)		
4 PROVIDED AT PHASE I		
<b>BICYCLE PARKING</b>		
1 PER 20 PARKING SPACES REQUIRED FOR AUTOMOBILES.		
75 SPACES = 4 BICYCLE SPACES REQUIRED FULL BUILD OUT.		
5 PROVIDED AT PHASE I		



ARCHITECTURE / DESIGN / INSPIRATION

**DEKKER PERICH SABATINI**

7601 JEFFERSON NE, SUITE 100  
ALBUQUERQUE, NM 87109

605.761.9700 / DPSDESIGN.ORG

ARCHITECT

ENGINEER

PROJECT

**PHS AMBULATORY CARE FACILITY**  
PALOMAS AVENUE NE  
ALBUQUERQUE, NM 87109

REVISIONS  
△  
△  
△

DRAWN BY  
REVIEWED BY  
DATE 3/23/2018  
PROJECT NO. 180005,001  
DRAWING NAME  
SITE PLAN

SHEET NO.  
**SDP-1.1**  
OF

PACKAGE Q:\Presbyterian\6400 Paseo Del Norte\20190516 PresNow New Building Sign Design\Exterior Submittal\20190518\_PRESNowExterior\_FrontLitChannel Letters

CONTACT	DRAWN BY	CLIENT / PROJECT	SUBMITTAL DATE	DRAWING REVISED DATE	SHEET TITLE	SHEET
Albuquerque / Phoenix P 505.888.2901 ext 104 F 505.888.2902 csbnsigns.com	Johnathan Sylversmythe JohnathanS@csbnsigns.com This artwork and design is owned by Century Sign Builders unless expressly stated. Use of this document or the design shown here without permission is prohibited.	Client / GC: 6400 Presbyterian PRESNow Project: Re-Design of Exterior Signage <b>APPROVAL REQUIRED FOR PRODUCTION</b> SIGNATURE / DATE	00/00/0000 Sign Package Modification Date: June 10, 2019 11:48 AM	00/00/0000	<b>DRB Placement Sheet</b> Placement of signs	<b>10</b>





11

R.1 Sign Type

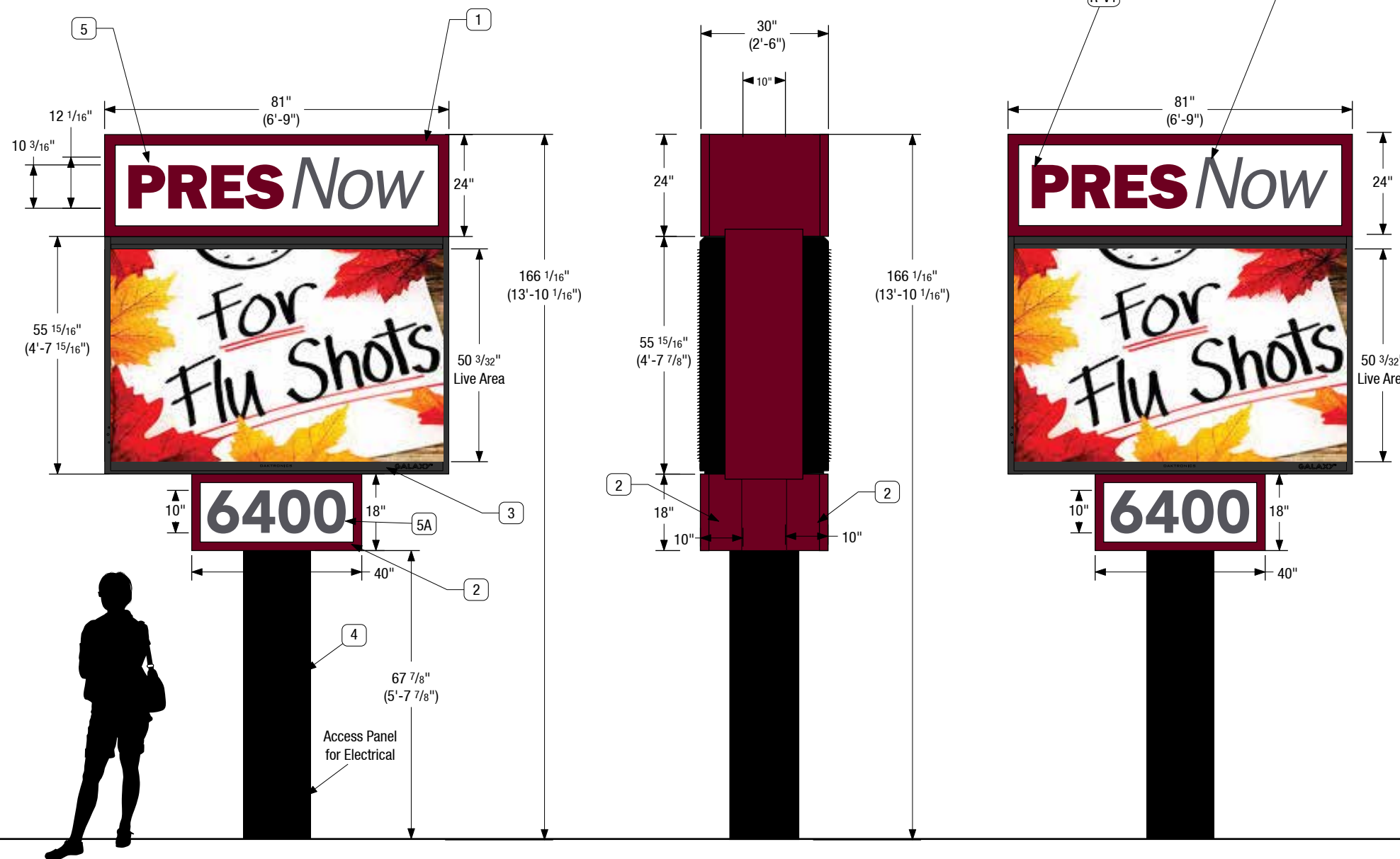
---

General Contractor: TBD  
Project: TBD  
Developed By: Century Sign Builders

# Sign Type R.1

**R-V1** Color: 3M Translucent Vinyl #3630-49 Burgundy applied to substrate.

**R-V2** Color: 3M Translucent Vinyl #3630-69 Duranodic



**Illum. R.1** ELEVATION - SIDE A  
SCALE: 3/8" = 1'

**R.1** ELEVATION - SIDE VIEW  
SCALE: 3/8" = 1'

**R.1** ELEVATION - SIDE B  
SCALE: 3/8" = 1'

**55 SqFt**

- TOP CABINET - DOUBLE SIDED**  
(1) 24" H x 81" W x 30" D  
Wide Fab Frame with flat retainers  
Fabrication: Aluminum  
Returns: 30" deep .125" Aluminum  
Retainers: 2.5" Flush with returns with countersunk screws  
Face: 3/16" Transl White Polycarbonate with Vinyl Graphics  
Paint: Matthews Paint System to Match 3M Transl Vinyl #3630-49 Burgundy  
Clear Coat: None  
Sheen: Satin  
Illumination: Internal with White LED
- BOTTOM CABINET - DOUBLE SIDED**  
(2) Size: 18" H x 41" W x 10" Deep  
Fabrication: Aluminum Frame  
Returns: 10" deep .125" Aluminum  
Retainers: 2" Flush with returns with countersunk screws  
Face: 3/16" Transl White Polycarbonate with Vinyl Graphics  
Paint: Matthews Paint System to Match 3M Transl Vinyl #3630-49 Burgundy  
Clear Coat: None  
Sheen: Satin  
Illumination: Internal with White LED

- ELECTRONIC READER BOARD DISPLAY - DOUBLE SIDED**  
Size: 4' 7 15/16" x 6'9"  
Nominal Size: 4'8"x 6'9"  
Type: Daktronics - Galaxy GS6 Series GS6-R  
Cabinet: Aluminum and Steel  
Weight: 227lbs approx.  
Paint: Semi Gloss Black  
Illumination: Electronic Display Red, Amber, or RGB  
Power Ratings Per Single Face:

TECHNOLOGY	COLOR	MAX WATTS	120/240VAC 1PH 60Hz (3 WIRES + GND) DOMESTIC		240VAC 1PH 50Hz (2 WIRES + GND) INTERNATIONAL SPECIAL ORDER
			LINE 1 AMPS	LINE 2 AMPS	LINE 1 (AMPS)
GS6	RED	996	4.72	NA	2.36
	AMBER	996	4.72	NA	2.36
	RGB	999	8.00	NA	4.00

- POLE COVER**  
Size: 5' 7 7/8" H x 16" x 16"  
Fabricated to be slid into place with pipe holes & hardware for 10" sq tube, with filler pieces.  
Paint: Matthews Paint System to Match black  
Clear Coat: None  
Sheen: Satin

- GRAPHIC PANELS**  
Substrate: 3/16" Transl Polycarbonate  
Vinyl Graphics: 3M Translucent Vinyl  
Applied First Surface  
Pres NOW Logo:  
PRES: 3M Translucent Vinyl #3630-49 Burgundy  
NOW: 3M Translucent Vinyl #3630-69 Duranodic

- 5A) 6400**  
Font: Avenir LT 65 Medium - Bold  
10" Cap Height = 290' Visibility  
3M Translucent Vinyl #3630-69 Duranodic

PACKAGE Q:\Presbyterian\6400 Paseo Del Norte\20190516 PresNow New Building Sign Design\Exterior Submittal\20190518\_PRESNowExterior\_FrontLitChannel Letters

<b>CONTACT</b> Albuquerque / Phoenix P 505.888.2901 ext 104 F 505.888.2902 csbsigns.com	<b>DRAWN BY</b> Johnathan Sylversmythe JohnathanS@csbsigns.com This artwork and design is owned by Century Sign Builders unless expressly stated. Use of this document or the design shown here without permission is prohibited.	<b>CLIENT / PROJECT</b> Client / GC: 6400 Presbyterian PRESNow Project: Re-Design of Exterior Signage <b>APPROVAL REQUIRED FOR PRODUCTION</b> SIGNATURE / DATE	<b>SUBMITTAL DATE</b> 00/00/0000 Sign Package Modification Date: June 10, 2019 11:48 AM	<b>DRAWING REVISED DATE</b> 00/00/0000	<b>SHEET TITLE</b> Design and Specifications	<b>SHEET</b> 12
---	--	---	---	---	---	--------------------

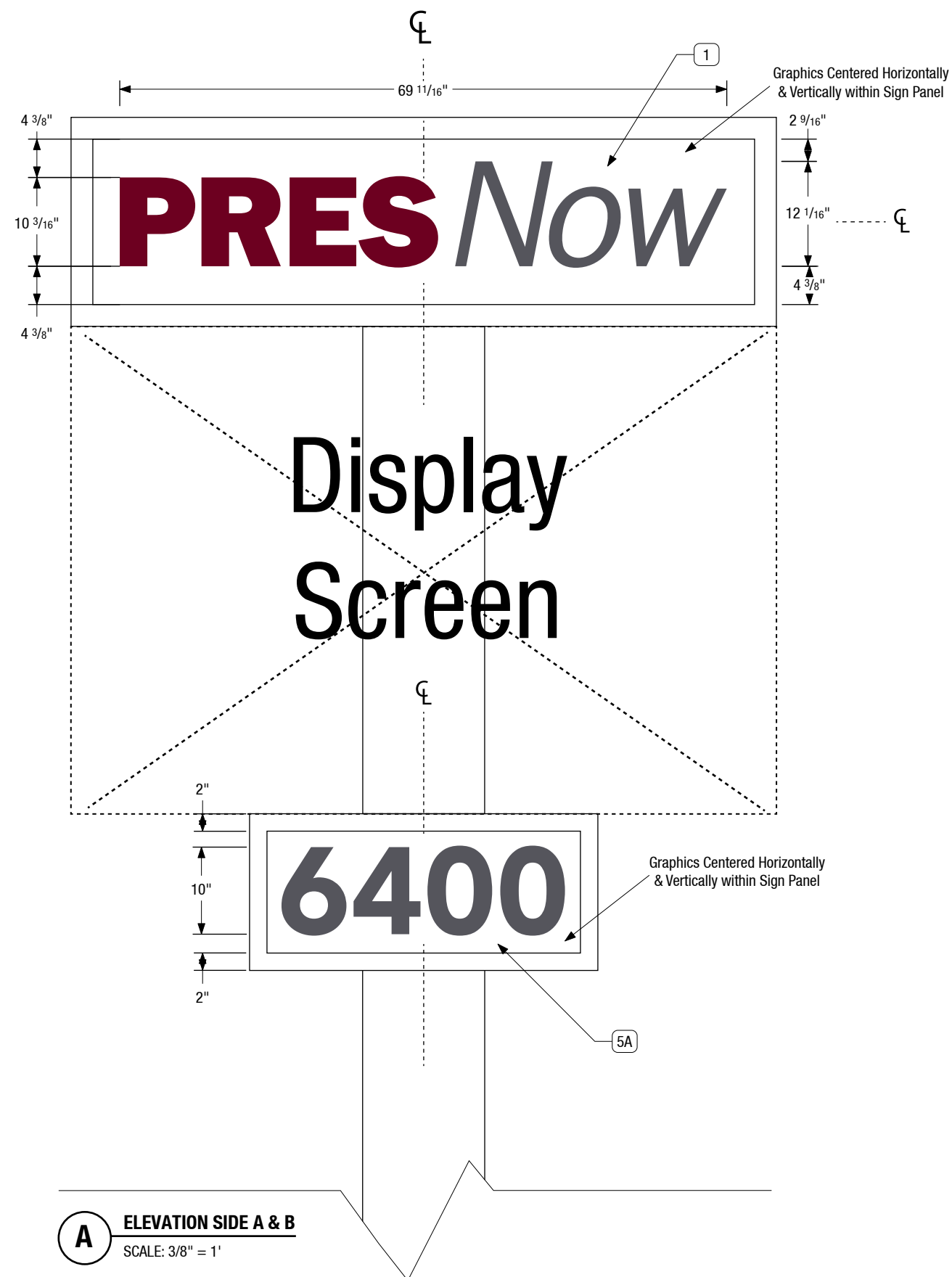


# Sign Type R.1

## 1. GRAPHIC PANELS

Substrate: 3/16" Transl Polycarbonate  
 Vinyl Graphics: 3M Translucent Vinyl  
 Applied First Surface  
 Pres NOW Logo:  
**PRES**: 3M Translucent Vinyl #3630-49 Burgundy  
**NOW**: 3M Translucent Vinyl #3630-69 Duranodic

**5A) 6400**  
 Font: Avenir LT 65 Medium - Bold  
 10" Cap Height = 290' Visibility  
 3M Translucent Vinyl #3630-69 Duranodic



**A** ELEVATION SIDE A & B  
 SCALE: 3/8" = 1'

See Sheet 09 rendering for complete sign specifications.

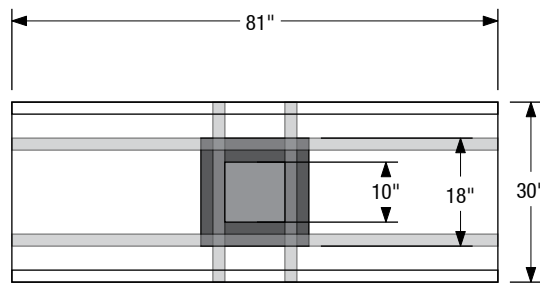
PACKAGE Q:\Presbyterian\6400 Paseo Del Norte\20190516 PresNow New Building Sign Design\Exterior Submittal\20190518\_PRESNowExterior\_FrontLitChannel Letters

CONTACT	DRAWN BY	CLIENT / PROJECT	SUBMITTAL DATE	DRAWING REVISED DATE	SHEET TITLE	SHEET
Albuquerque / Phoenix P 505.888.2901 ext 104 F 505.888.2902 csbsigns.com	Johnathan Sylversmythe JohnathanS@csbsigns.com <small>This artwork and design is owned by Century Sign Builders unless expressly stated. Use of this document or the design shown here without permission is prohibited.</small>	Client / GC: 6400 Presbyterian PRESNow Project: Re-Design of Exterior Signage <b>APPROVAL REQUIRED FOR PRODUCTION</b>	00/00/0000 Sign Package Modification Date: June 10, 2019 11:48 AM	00/00/0000	Graphic Layout	13
		SIGNATURE / DATE				

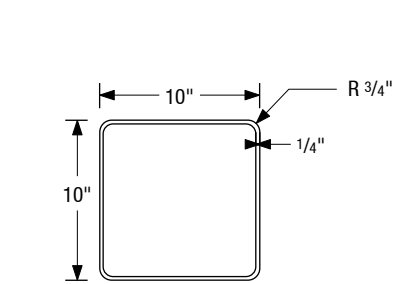




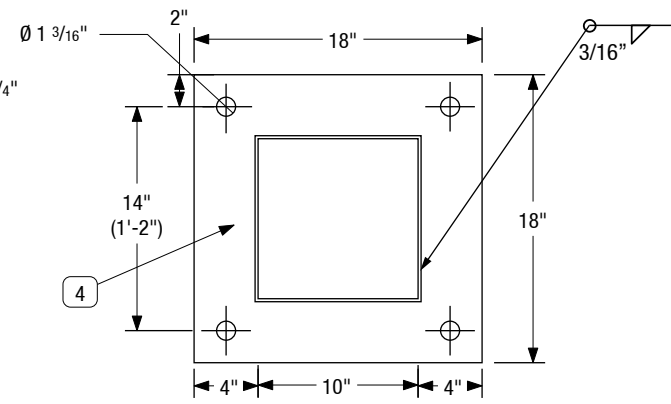
# Sign Type R.1



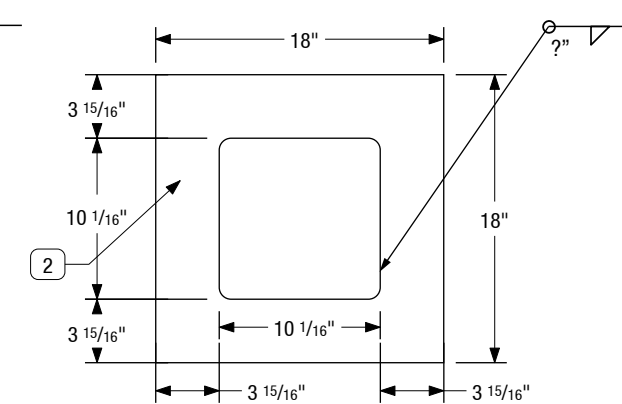
**A PLAN VIEW**  
SCALE: 3/8" = 1'



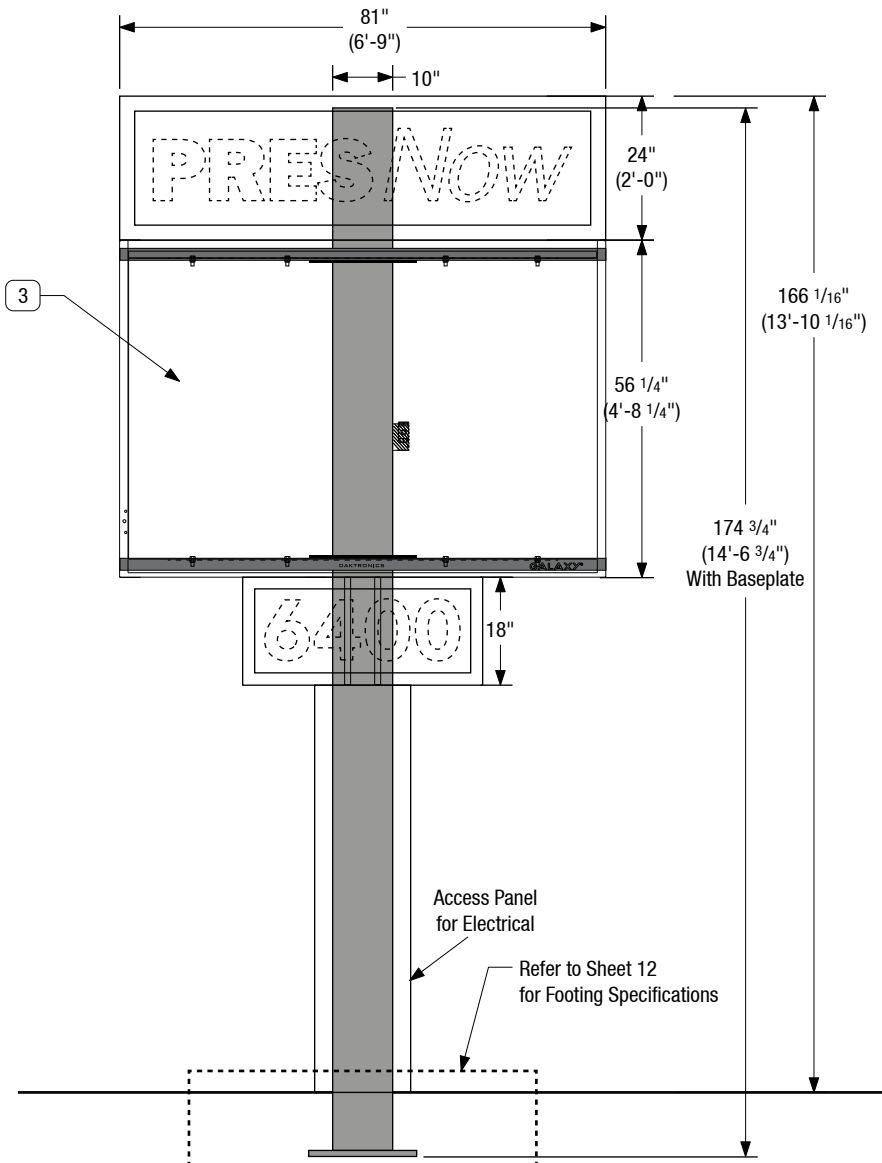
**B MAIN SUPPORT POLE**  
SCALE: 1" = 1'



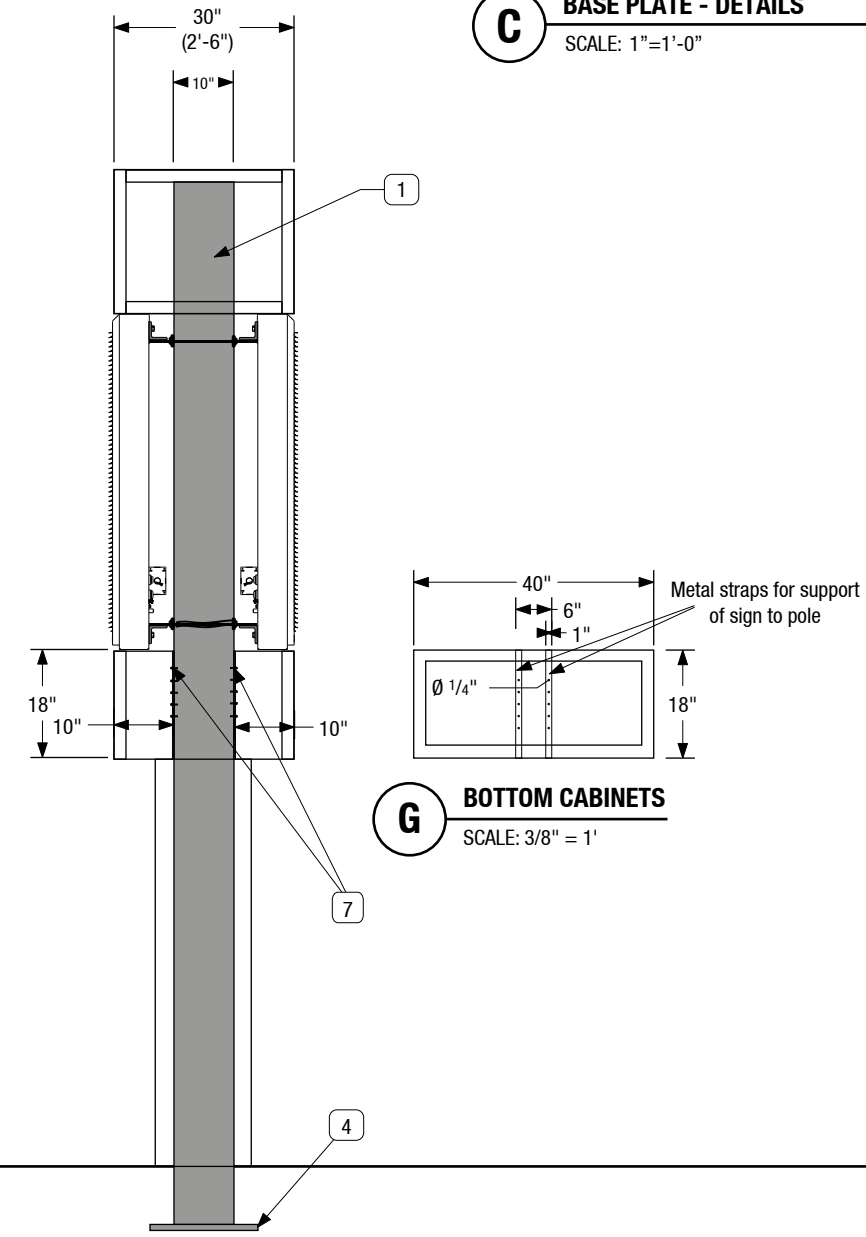
**C BASE PLATE - DETAILS**  
SCALE: 1"=1'-0"



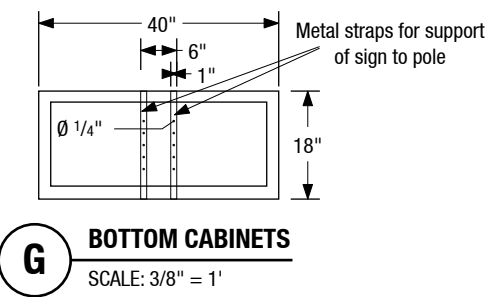
**D WELDED STEEL PLATES - DETAILS**  
SCALE: 1"=1'-0"



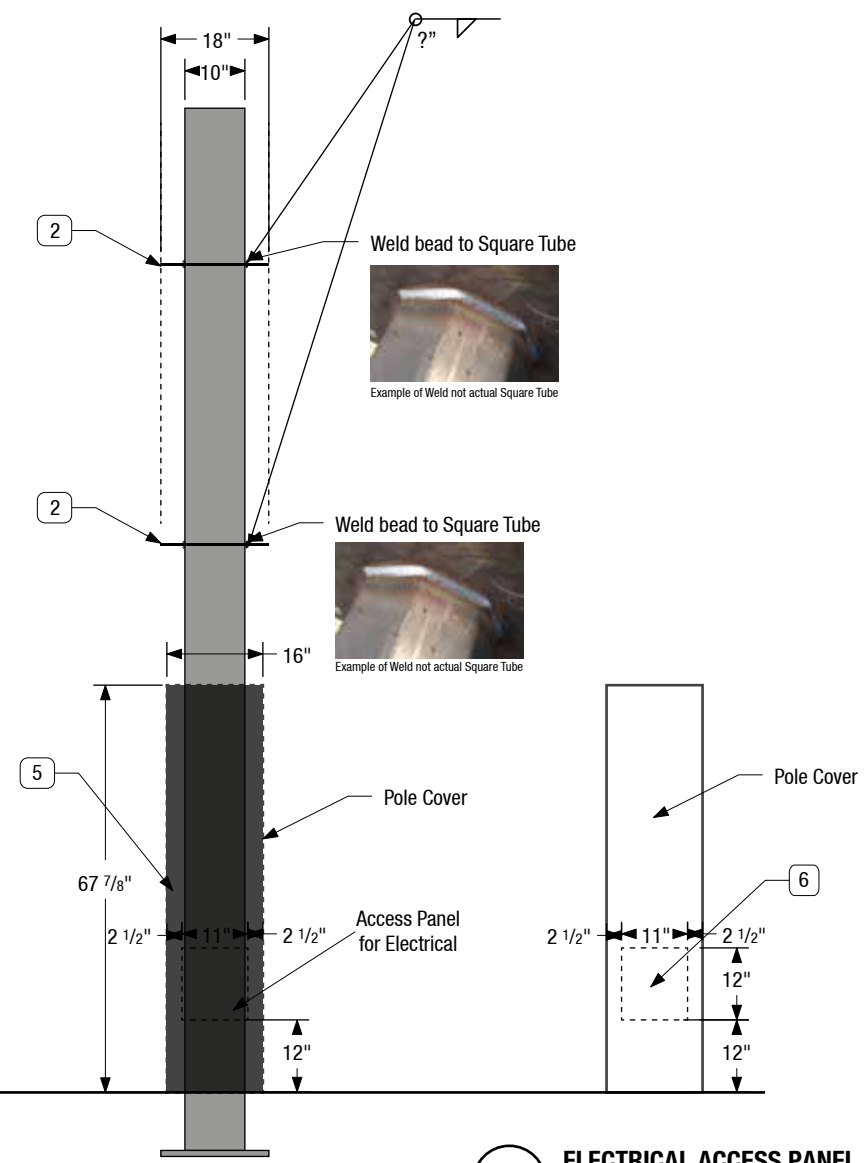
**E FRONT VIEW**  
SCALE: 3/8" = 1'



**F SIDE VIEW**  
SCALE: 3/8" = 1'



**G BOTTOM CABINETS**  
SCALE: 3/8" = 1'



**H SIDE POLE VIEW**  
SCALE: 3/8" = 1'

**I ELECTRICAL ACCESS PANEL**  
SCALE: 3/8" = 1'

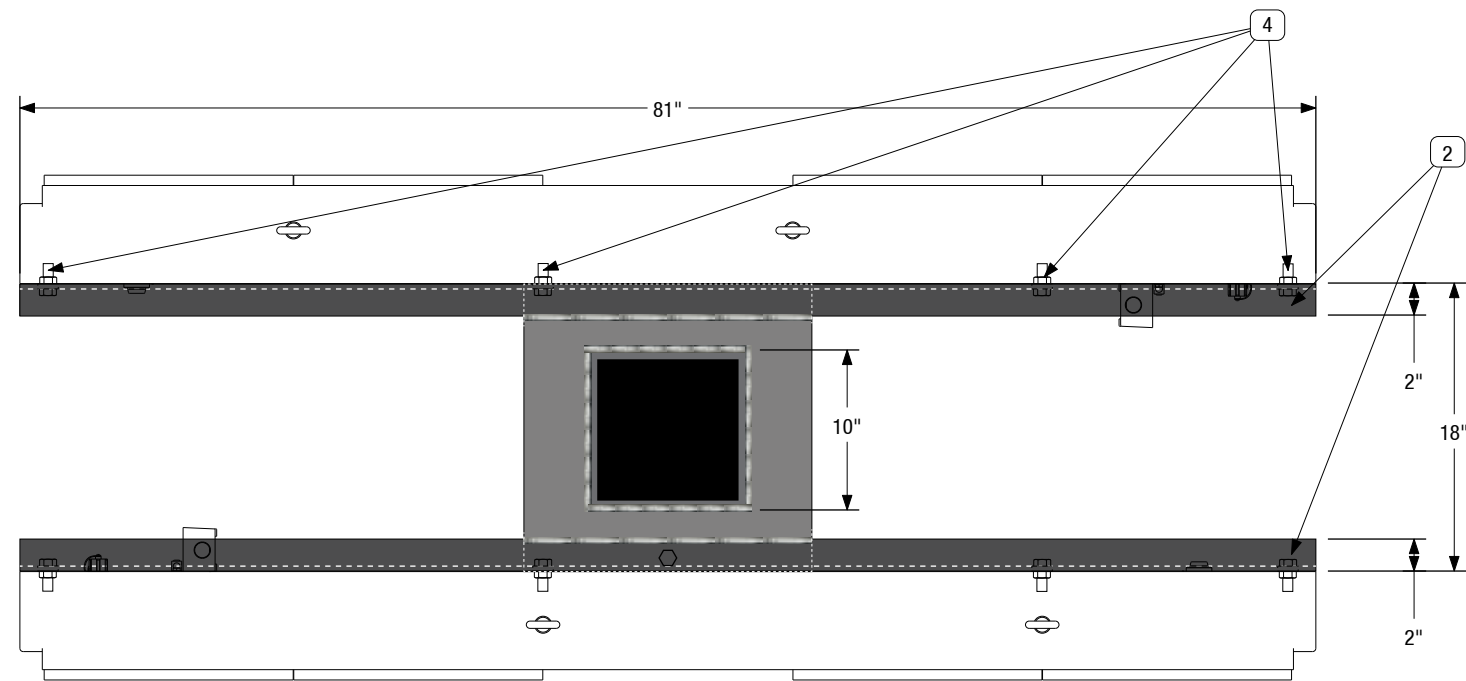
- 1. MAIN STEEL SQUARE TUBE**  
Size: 10" x 10" O.D. , 14' 6 3/4" Height with Base Plate Included  
Material Thickness: 1/4"  
Type: T11014 - A500 Square Steel Tube  
Inside Dimension: 9 3/4"  
Round Corners: 3/4"  
Weight: 32.63lbs
- 2. WELDED STEEL PLATES**  
Size: (2) 18"x18", 1/2" Thick Steel Plate  
Material: Steel  
Knock Out: 10 1/16"x10 1/16"
- 3. ELECTRONIC READER BOARD DISPLAY DOUBLE SIDED**  
Size: 4'8"x 6'9"  
Nominal Size: 4' 7 15/16" x 6'9"  
Type: Daktronics - Galaxy GS6 Series GS6-R  
Cabinet: Aluminum and Steel  
Weight: (1) Display is 227lbs approx. 454lbs with (2) Displays Approx.  
Paint: Semi Gloss Black  
Illumination: Electronic Display Red, Amber, or RGB
- 4. BASE PLATE**  
Size: (1) 18"x18", 1" Thick Steel Plate  
Material: Steel  
Hole Diameter: (4) 1 3/16"
- 5. POLE COVER**  
Size: 5' 7 7/8" H x 16" x 16"  
Fabricated to be slid into place with pipe holes & hardware for 10" sq tube, with filler pieces.  
Paint: Matthews Paint System to Match black  
Clear Coat: None  
Sheen: Satin
- 6. ACCESS PANEL ON POLE COVER**  
Size: 11"x12" Opening refer to drawing for measurement of cut out, Whether access panel to be locked or bolted TBD  
Paint: Matthews Paint System to Match black  
Clear Coat: None  
Sheen: Satin
- 7. BOTTOM CABINET MOUNTING HARDWARE**  
Hex Head Thread - Cutting Screw for Metal  
410 Stainless Steel holes to be drilled into pipe and screws will self thread when mounted to main support pole  
Size: 1/4"-20 Thread, 1.5" Long  
Material: 410 Stainless Steel  
Screw Size: 1/4"  
Head Width: .375"  
Product #: 96024A450 McMaster Carr

PACKAGE Q:\Presbyterian\6400 Paseo Del Norte\20190516 PresNow New Building Sign Design\Exterior Submittal\20190518\_PRESNowExterior\_FrontLitChannel Letters

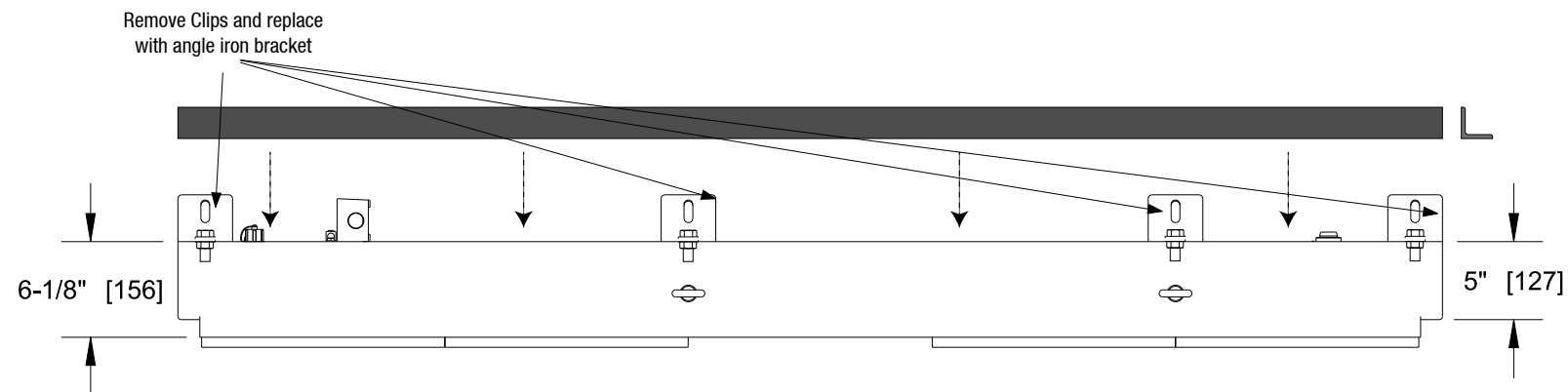
CONTACT	DRAWN BY	CLIENT / PROJECT	SUBMITTAL DATE	DRAWING REVISED DATE	SHEET TITLE	SHEET
Albuquerque / Phoenix P 505.888.2901 ext 104 F 505.888.2902 csbsigns.com	Johnathan Sylversmythe JohnathanS@csbsigns.com This artwork and design is owned by Century Sign Builders unless expressly stated. Use of this document or the design shown here without permission is prohibited.	Client / GC: 6400 Presbyterian PRESNow Project: Re-Design of Exterior Signage	00/00/0000 Sign Package Modification Date: June 10, 2019 11:48 AM	00/00/0000	Construction	14



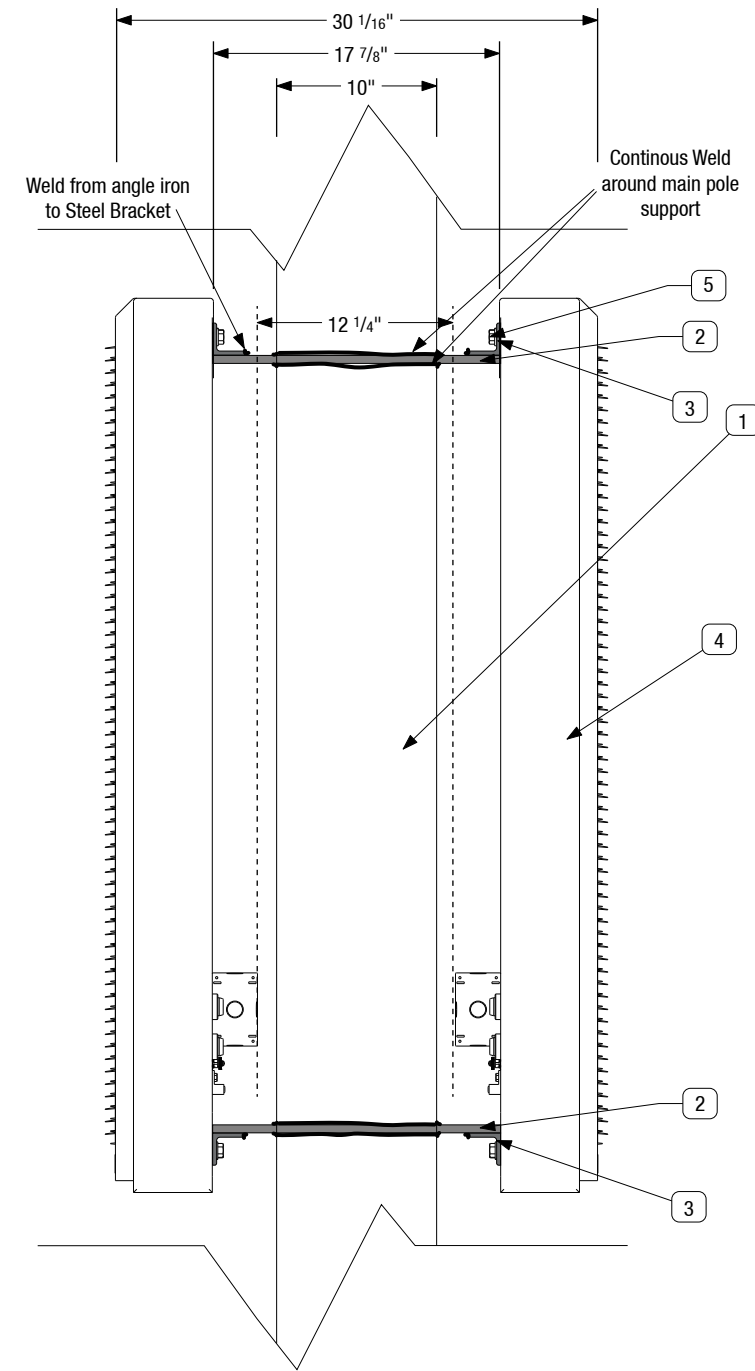
# Sign Type R.1



**A** ANGLE IRON SUPPORTS FOR DISPLAY - PLAN VIEW  
SCALE: 1"=1'-0"



**C** ANGLE IRON SUPPORTS FOR DISPLAY - TOP VIEW  
SCALE: 1"=1'-0"



**B** ANGLE IRON SUPPORTS FOR DISPLAY - SIDE VIEW  
SCALE: 1"=1'-0"

- 1. MAIN STEEL SQUARE TUBE**  
Size: 10" x 10" O.D. , 14' 6 3/4" Height with Base Plate Included  
Material Thickness: 1/4"  
Inside Dimension: 9 3/4"
- 2. WELDED STEEL PLATES**  
Size: (2) 18"x18", 1/2" Thick Steel Plate  
Material: Steel  
Knock Out: 10 1/16"x10 1/16"  
Continuous Weld around main pole support
- 3. ANGLE IRON SUPPORTS**  
Size: 81"W x 2" H  
Thickness: 3/16"  
Fabrication: Steel Angled Iron  
Installation: Welded to steel brackets for support holes to be drilled for bolts to match up with pre-existing holes for electronic display
- 4. ELECTRONIC READER BOARD DISPLAY - DOUBLE SIDED**  
Size: 4'8"x 6'9"  
Nominal Size: 4' 7 15/16" x 6'9"  
Type: Daktronics - Galaxy GS6 Series GS6-R  
Cabinet: Aluminum and Steel  
Weight: 227lbs approx.  
Paint: Semi Gloss Black  
Illumination: Electronic Display Red, Amber, or RGB
- 5. HARDWARE COMPONENTS**  
Bolts:  
Size:

PACKAGE Q:\Presbyterian\6400 Paseo Del Norte\20190516 PresNow New Building Sign Design\Exterior Submittal\20190518\_PRESNowExterior\_FrontLitChannel Letters



**CONTACT**  
Albuquerque / Phoenix  
P 505.888.2901 ext 104  
F 505.888.2902  
csbsigns.com

**DRAWN BY**  
Johnathan Sylversmythe  
JohnathanS@csbsigns.com  
This artwork and design is owned by Century Sign Builders unless expressly stated. Use of this document or the design shown here without permission is prohibited.

**CLIENT / PROJECT**  
Client / GC: 6400 Presbyterian PRESNow  
Project: Re-Design of Exterior Signage  
**APPROVAL REQUIRED FOR PRODUCTION**  
SIGNATURE / DATE

**SUBMITTAL DATE**  
00/00/0000  
Sign Package Modification Date: June 10, 2019 11:48 AM

**DRAWING REVISED DATE**  
00/00/0000

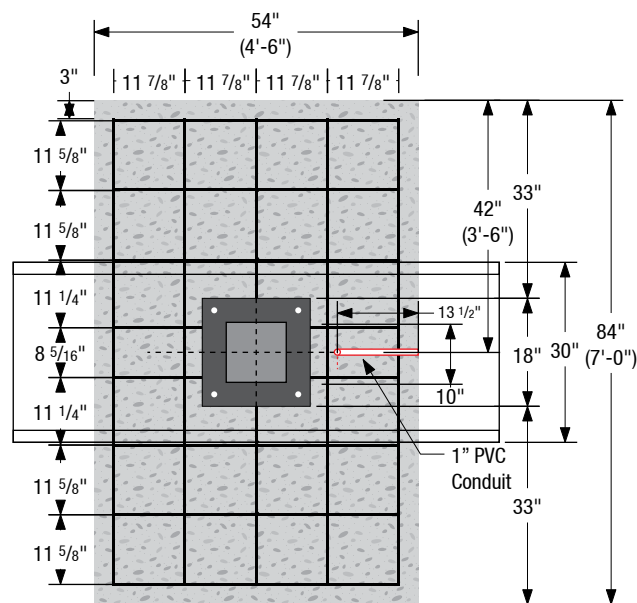
**SHEET TITLE**  
Bracket details for electronic sign

**SHEET**  
15

# Sign Type R.1

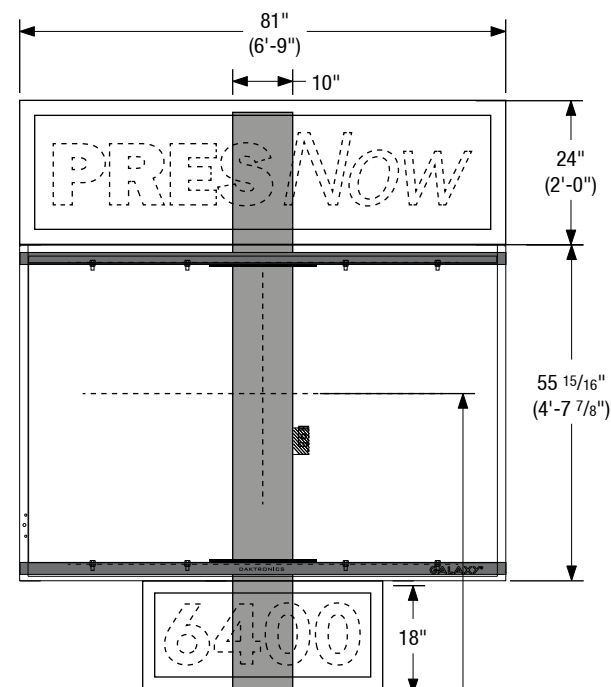
## STANDARD MOUNTING SPECIFICATIONS

- 1. SIGN TYPE R.1**  
Approximate Weight: **TBD**
- 2. SIGN SUPPORT POLE**  
Size: 10" x 10" O.D., 14' 6 3/4" Height with Base Plate  
Material Thickness: 1/4"  
Inside Dimension: 9 3/4"
- 3. WELDED STEEL PLATE FOR DISPLAY SUPPORT**  
Quantity: 2  
Material: 1/2" Steel Plate  
Fabrication: Welded to tube Pipe  
Size: 18"x18", Plate Thickness 1/2"
- 4. ANCHOR**  
Quantity: 4  
Type/Size: All Thread Rod Size 1" Diameter  
Height: 18" tall  
Material: Zinc Plated  
Embedment: 12"  
Product: Simpson Strong-Tie  
Product No: Model # ATR1X18ZP
- 5. NUTS**  
Quantity: 8 (2 Nuts Per Anchor)  
Type/Size: Hex Nut Stainless Steel  
Thread: UNC 1-8 Coarse  
Material: Stainless Steel  
Product: The Hillman Group  
Product No: Model # 43747
- 6. WASHERS / SPLIT WASHERS**  
Quantity: 8(WASHER) 4(SPLIT WASHER)  
Dia: OD 2.030", ID 1" (WASHER)  
OD 1.661, ID 1" (SPLIT WASHER)  
Material: Stainless Steel  
Product: The Hillman Group (WASHER)  
The Hillman Group (SPLIT WASHER)  
Product No: # 43761 or Equal(WASHER)  
# 43757 or Equal(S-WASHER)
- 7. ADHESIVE**  
Quantity: 2 to 3 Tubes  
Product: Hilti Adhesive HIT-HY 200-A  
Product No: 2022791  
**No Substitutes - Refer to Manufacture Specifications, Installation Instructions, and Curing Time**
- 8. GROUT**  
Home Depot  
50lb. Non-Shrink Precision Grout  
Store SKU #966910  
Internet # 100318529

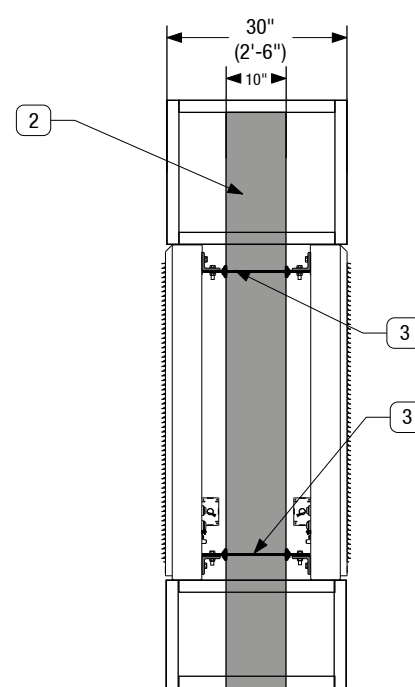


**A PLAN VIEW**  
SCALE: 3/8" = 1'

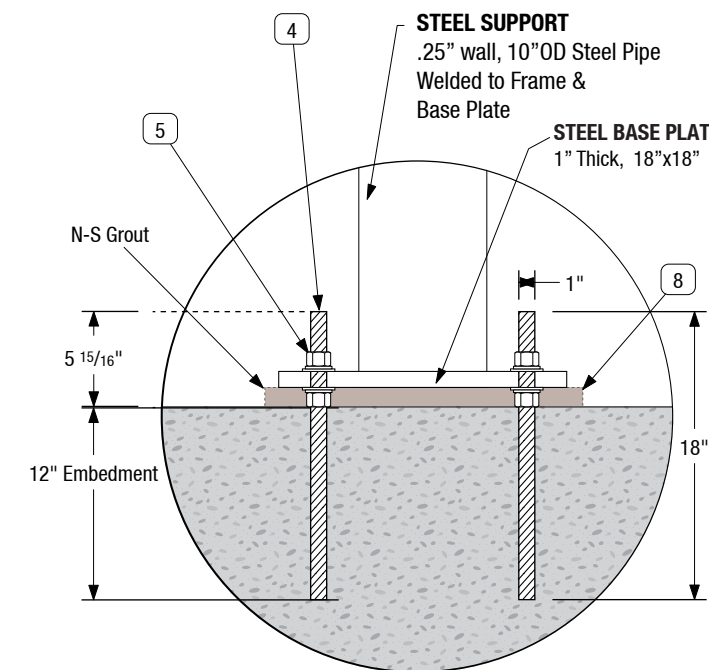
55 SqFt



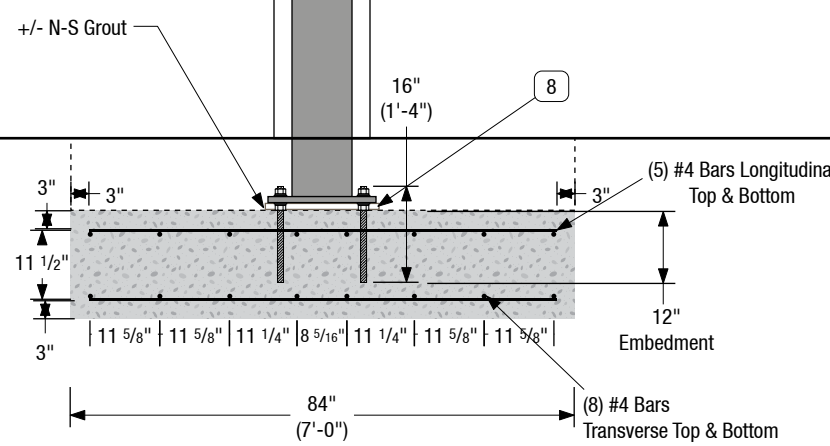
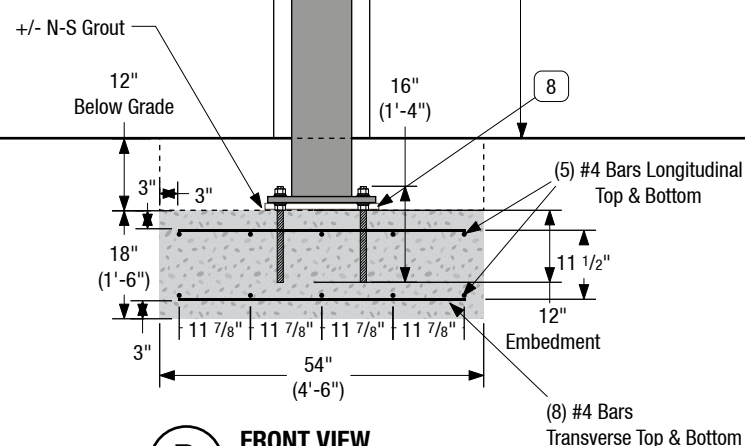
**B FRONT VIEW**  
SCALE: 3/8" = 1'



**C SIDE VIEW**  
SCALE: 3/8" = 1'



**D BASE PLATE - DETAILS**  
SCALE: 1"=1'-0"



PACKAGE Q:\Presbyterian\6400 Paseo Del Norte\20190516 PresNow New Building Sign Design\Exterior Submittal\20190518\_PRESNowExterior\_FrontLitChannel Letters

CONTACT	DRAWN BY	CLIENT / PROJECT	SUBMITTAL DATE	DRAWING REVISED DATE	SHEET TITLE	SHEET
Albuquerque / Phoenix P 505.888.2901 ext 104 F 505.888.2902 csbsigns.com	Johnathan Sylversmythe JohnathanS@csbsigns.com This artwork and design is owned by Century Sign Builders unless expressly stated. Use of this document or the design shown here without permission is prohibited.	Client / GC: 6400 Presbyterian PRESNow Project: Re-Design of Exterior Signage <b>APPROVAL REQUIRED FOR PRODUCTION</b> SIGNATURE / DATE	00/00/0000 Sign Package Modification Date: June 10, 2019 11:48 AM	00/00/0000	Footing specifications	16





# Sign Type R.1

## SPECIFICATIONS

**1. ILLUMINATION**  
 Style: Internal  
 Effect: Full Face Illumination  
 Light Source: LED Modules  
 Light Color Temp: 6500k White

**2. LED POWERSUPPLY**  
 Power Supply: (2) Principal LED Power supply  
 Product: PL-60-12-U  
 Input Voltage: 100-277 VAC  
 Output Voltage DC 12  
 Output Power: 60W Max  
 Amp Draw: 12  
 Location: Within Sign

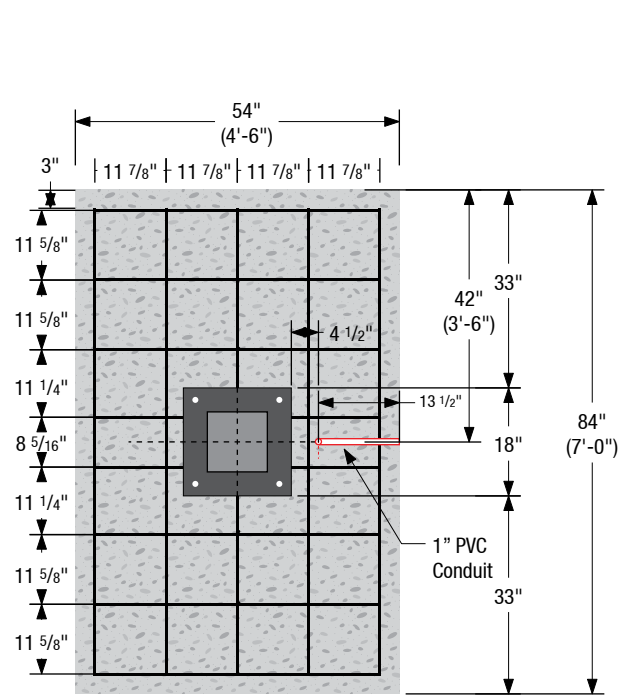
**3. ELECTRICAL SERVICE**  
 Service Disconnect Switch: On Sign  
 Operation: Photo Cell on Sign  
 Listed: Sign UL Rated - Sticker on Side

**4. PRIMARY POWER SUPPLY REQUIREMENTS**  
 Scope of Work: Supplied by Other  
 Input Voltage: 277v  
 Circuit: Dedicated 20amp  
 Stub Out: Refer to Drawing for Location

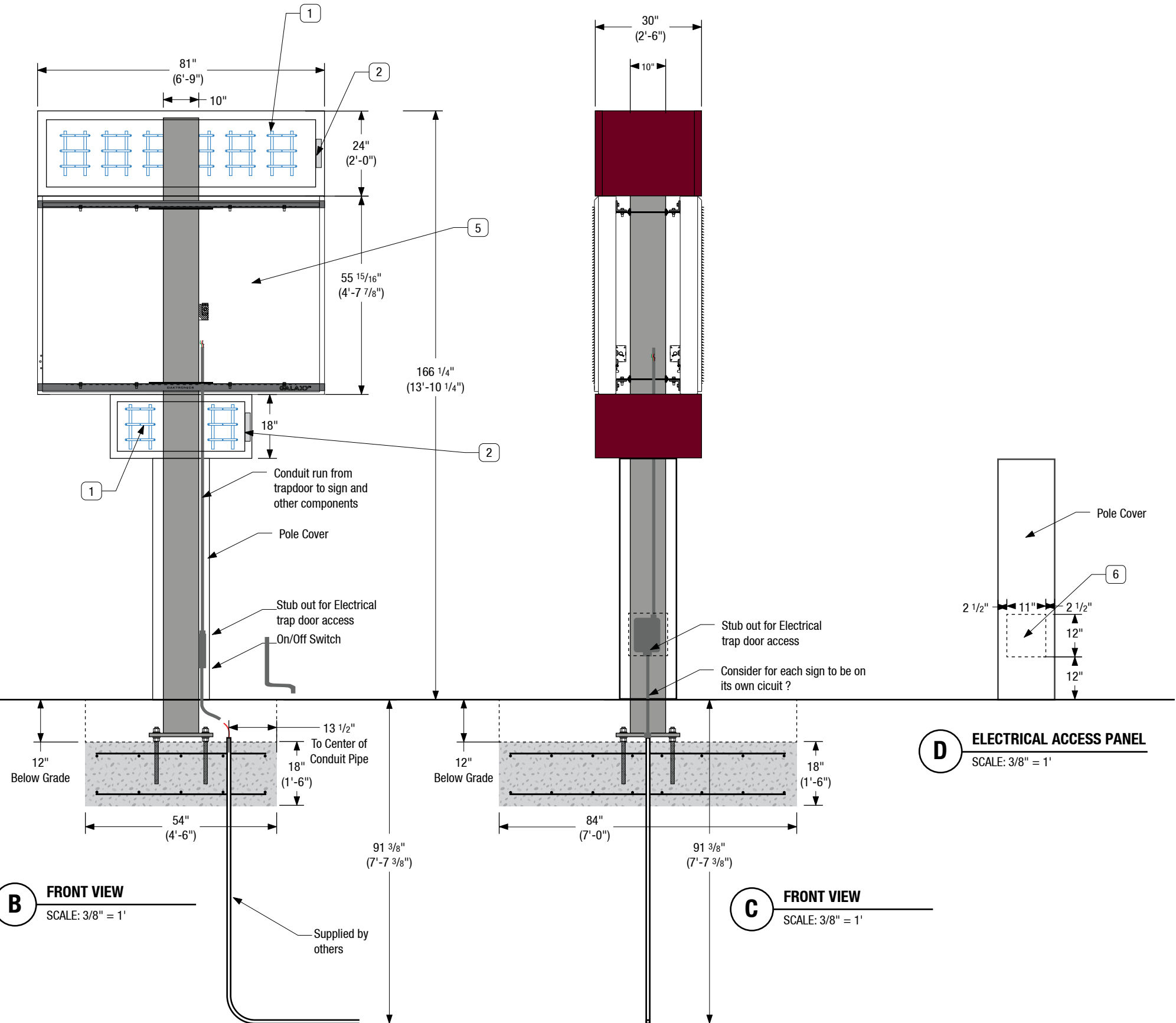
**5. ELECTRONIC READER BOARD DISPLAY - DOUBLE SIDED**  
 Size: 4'8"x 6'9"  
 Nominal Size: 4' 7 15/16" x 6'9"  
 Type: Daktronics - Galaxy GS6 Series GS6-R  
 Cabinet: Aluminum and Steel  
 Weight: 227lbs approx.  
 Paint: Semi Gloss Black  
 Illumination: Electronic Display Red, Amber, or RGB  
 Power Ratings Per Single Face:

TECHNOLOGY	COLOR	MAX WATTS	120/240VAC 1PH 60Hz (3 WIRES + GND) DOMESTIC		240VAC 1PH 50Hz (2 WIRES + GND) INTERNATIONAL SPECIAL ORDER
			LINE 1 AMPS	LINE 2 AMPS	LINE 1 (AMPS)
GS6	RED	566	4.72	N/A	2.36
	AMBER	566	4.72	N/A	2.36
	RGB	959	8.00	N/A	4.00

**6. ACCESS PANEL ON POLE COVER**  
 Size: 11"x12" Opening refer to drawing for measurement of cut out, Whether access panel to be locked or bolted TBD  
 Paint: Matthews Paint System to Match black  
 Clear Coat: None  
 Sheen: Satin



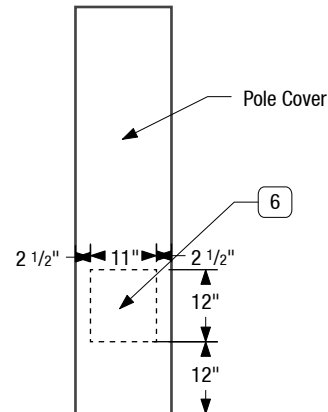
**A PLAIN VIEW**  
 SCALE: 3/8" = 1'



**B FRONT VIEW**  
 SCALE: 3/8" = 1'

**C FRONT VIEW**  
 SCALE: 3/8" = 1'

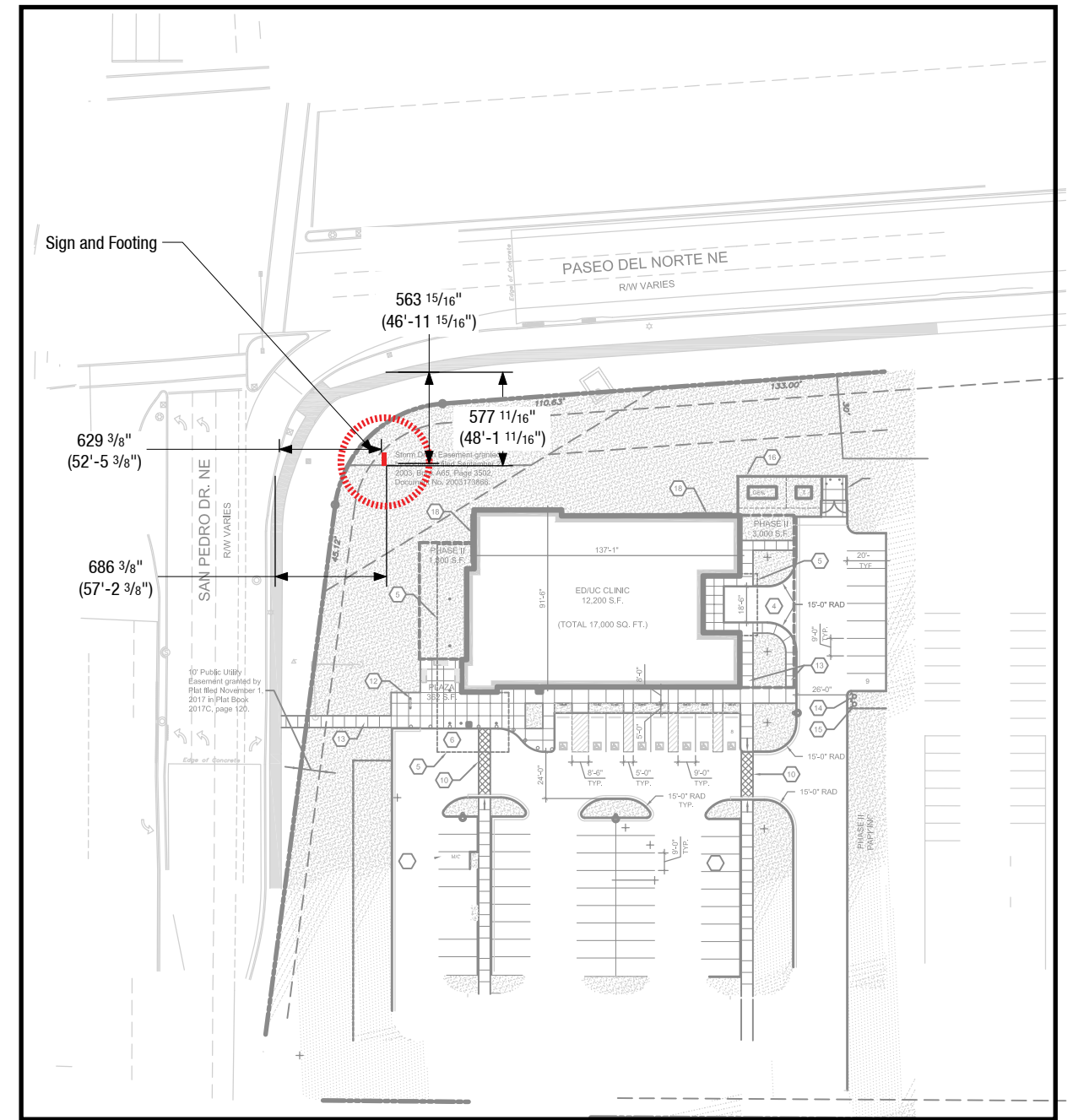
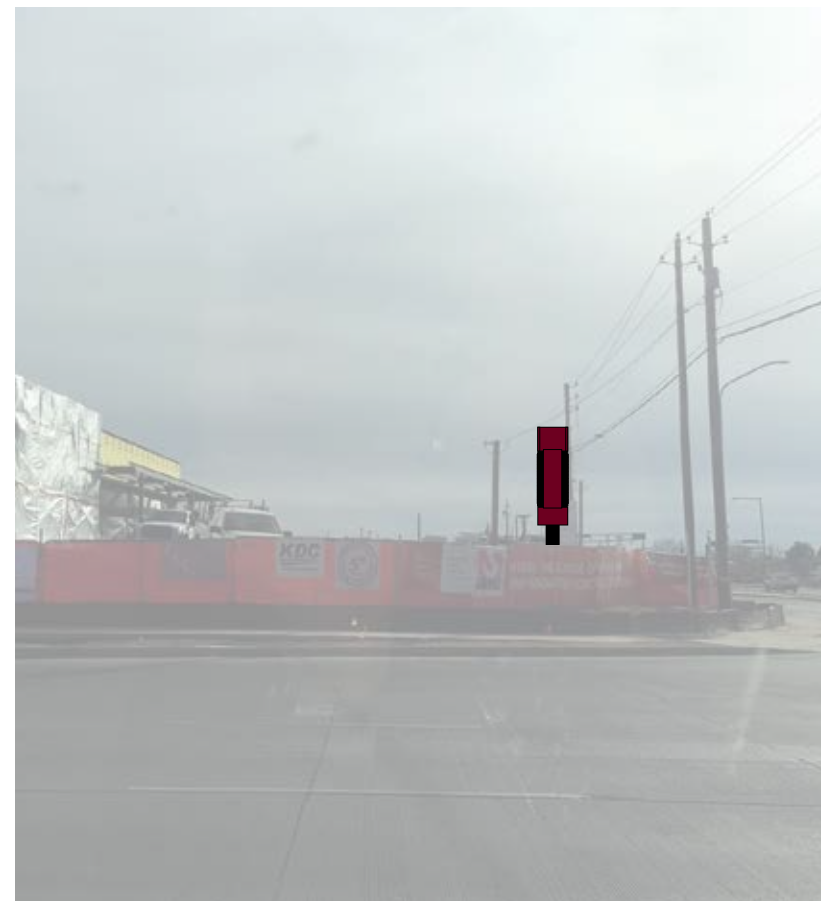
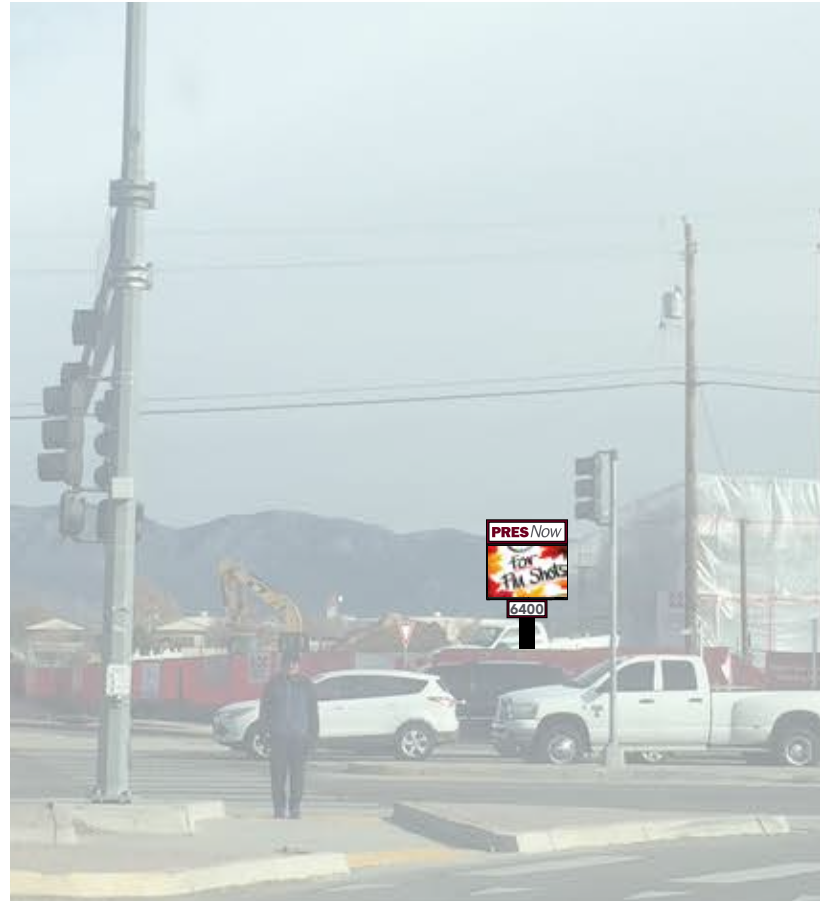
**D ELECTRICAL ACCESS PANEL**  
 SCALE: 3/8" = 1'



PACKAGE Q:\Presbyterian\6400 Paseo Del Norte\20190516 PresNow New Building Sign Design\Exterior Submittal\20190518\_PRESNowExterior\_FrontLitChannel Letters

CONTACT	DRAWN BY	CLIENT / PROJECT	SUBMITTAL DATE	DRAWING REVISED DATE	SHEET TITLE	SHEET
Albuquerque / Phoenix P 505.888.2901 ext 104 F 505.888.2902 csbsigns.com	Johnathan Sylversmythe JohnathanS@csbsigns.com This artwork and design is owned by Century Sign Builders unless expressly stated. Use of this document or the design shown here without permission is prohibited.	Client / GC: 6400 Presbyterian PRESNow Project: Re-Design of Exterior Signage <b>APPROVAL REQUIRED FOR PRODUCTION</b> SIGNATURE / DATE	00/00/0000 Sign Package Modification Date: June 10, 2019 11:48 AM	00/00/0000	Electrical	17





**Illum. R.1 FRONT VIEW**  
SCALE: 1/16"=1'

**Illum. R.1 SIDE VIEW**  
SCALE: 1/16"=1'

**Illum. R.1 PLAN VIEW**  
SCALE: 1:1000

PACKAGE Q:\Presbyterian\6400 Paseo Del Norte\20190516 PresNow New Building Sign Design\Exterior Submittal\20190518\_PRESNowExterior\_FrontLitChannel Letters

CONTACT	DRAWN BY	CLIENT / PROJECT	SUBMITTAL DATE	DRAWING REVISED DATE	SHEET TITLE	SHEET
Albuquerque / Phoenix P 505.888.2901 ext 104 F 505.888.2902 csbnsigns.com	Johnathan Sylversmythe JohnathanS@csbnsigns.com This artwork and design is owned by Century Sign Builders unless expressly stated. Use of this document or the design shown here without permission is prohibited.	Client / GC: 6400 Presbyterian PRESNow Project: Re-Design of Exterior Signage <b>APPROVAL REQUIRED FOR PRODUCTION</b>	00/00/0000 Sign Package Modification Date: June 10, 2019 11:48 AM	00/00/0000	R.1 Placement	18
		SIGNATURE / DATE				



# 19

Exterior PRESNow Front Lit  
Letters

---

General Contractor: TBD  
Project: TBD  
Developed By: Century Sign Builders



# PRESNow Letters

Description: Front Illuminated Dimensional Letters for North and West Side of Building

## QUANTITY

2 Set

## SPECIFICATIONS

### 1. LETTERS

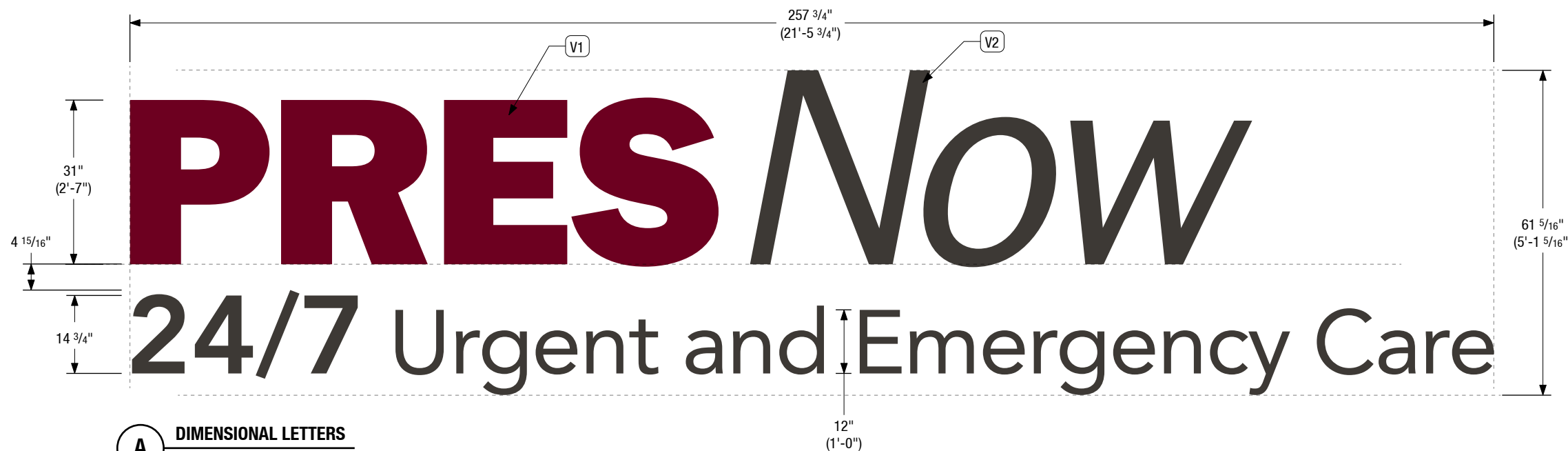
**A: PRES** - Overall Letter Dimensions: 31" Tall with 3" depth x 21' 5 3/4" Long  
 Letter Visibility: ~1100'- 1150'  
 Face Material: .063" Aluminum  
 Returns Material: .040" Aluminum  
 Back Material: .125" Clear Lexan  
 Painted: to Match PMS 188CP  
 C-16, M-100, Y-65, K-58  
 Finish Sheen: Satin  
 Additional Clear Top Coat: None  
 Illumination: Double Stroke white LEDs (UL)  
 Illumination Effect: Front Lit Letters with translucent vinyl  
 Vinyl Type: Series: 3M Scotchcal Translucent Graphic Film  
 Color: 3M 3630-49 Burgundy  
 Application: First Surface  
 Whip: Must be 10' or Longer  
 Font: Custom Outline Logo  
 Total Height: "P"= "31"  
 Visibility Distance Still: 750'-890'

**B: Now 24/7 Urgent and Emergency Care**  
 Font: Custom Logo Design  
 Overall Letter Dimensions: "E"-Emergency 12" Tall with 3" depth x 21' 5 3/4" Long "N"- 36" 5/8" Tall  
 Letter Visibility: ~1392'- 1400'  
 Face Material: .063" Aluminum  
 Returns Material: .040" Aluminum  
 Back Material: .125" Clear Lexan  
 Painted: to Match Pantone Black 7C  
 C-65, M-61.4, Y-64.39, K-54.19  
 Finish Sheen: Satin  
 Additional Clear Top Coat: None  
 Illumination: Double Stroke white LEDs (UL)  
 Illumination Effect: Front Lit Letters with translucent vinyl  
 Vinyl Type: Series: 3M Scotchcal Translucent Graphic Film  
 Color: 3M 3630-69 Duranodic  
 Application: First Surface  
 Whip: Must be 10' or Longer  
 Font: Custom Outline Logo  
 Total Height: 12"  
 Visibility Distance Still: 348'

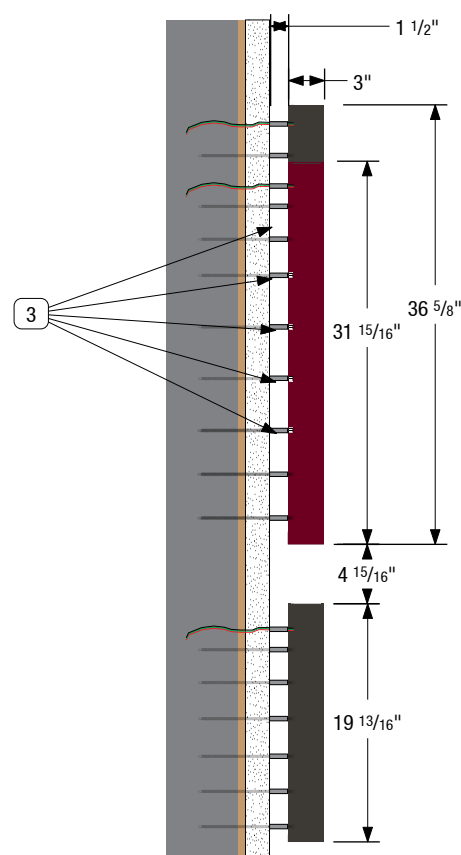
**2. MOUNTING**  
 Mounting Surface: 2" Exterior Insulation with Finish System  
 Mounting Hardware: 1/4" Roofing Screws or 1/4" SPAX Multi Exterior rated screw or **EQUILIVANT**  
 Length: 5" to 6" long depending on wall depth.  
 Stand-Offs: PVC 1 1/2"  
 Stand-Off Material and Color: PVC  
 Mounting Pattern: Yes

### 3. INSTALLATION EQUIPMENT

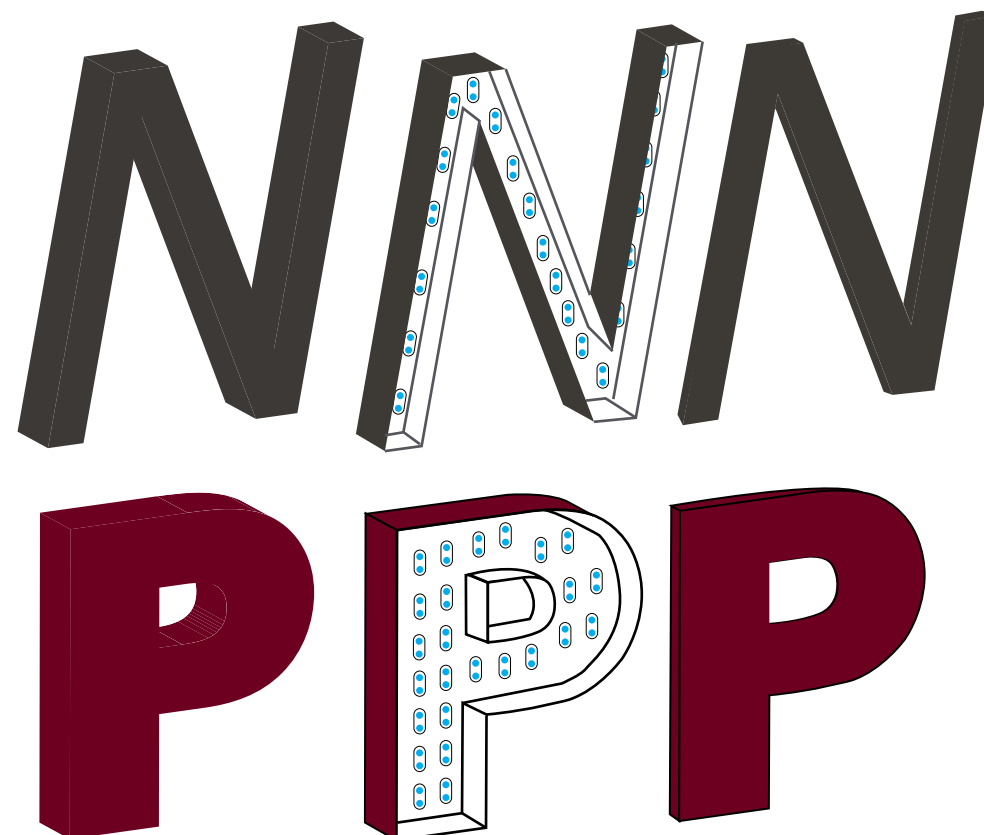
Lift



**A DIMENSIONAL LETTERS**  
 SCALE: 1:25



**B SIDE VIEW**  
 SCALE: 3/4" = 1'-0"



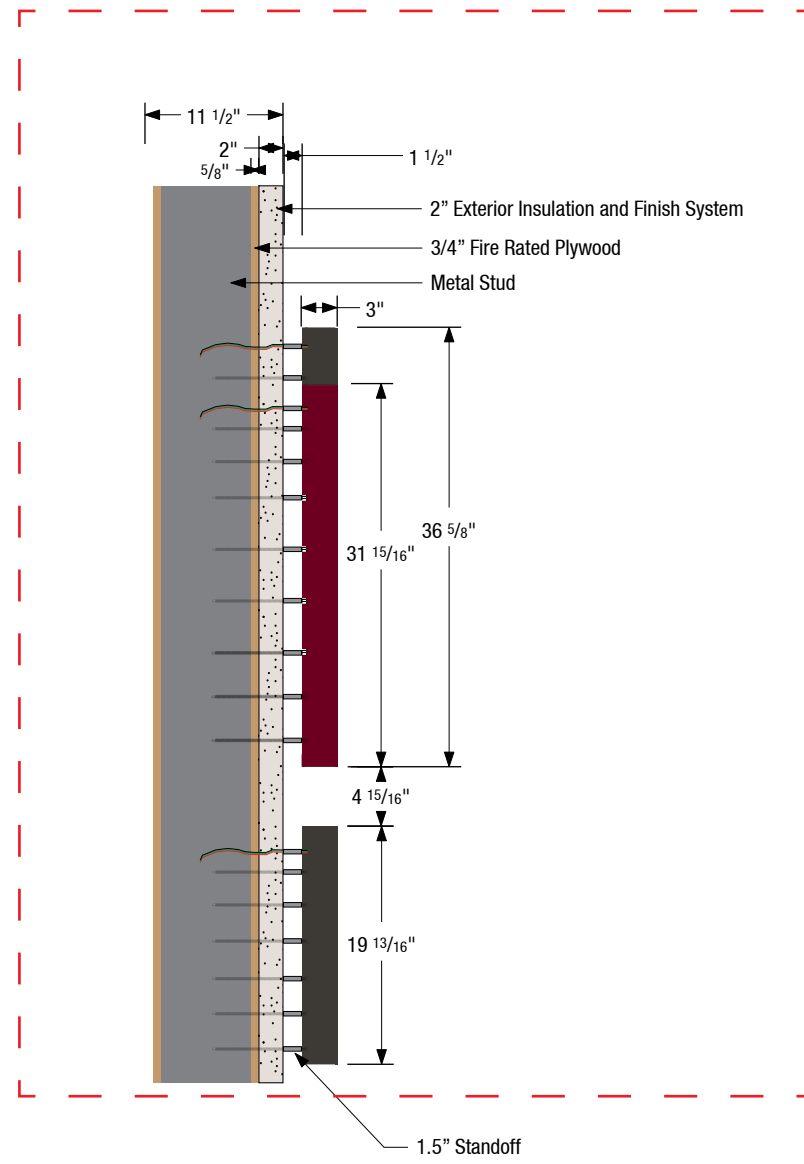
**C EXPLODED VIEW**  
 SCALE: NTS"

	<b>V1</b>	Series: 3M Scotchcal Translucent Graphic Film Color: 3M 3630-49 Burgundy Application: First Surface
	<b>V2</b>	Color: 3M Scotchcal Translucent Graphic Film Color: 3M #3630-69 Duranodic Application: First Surface

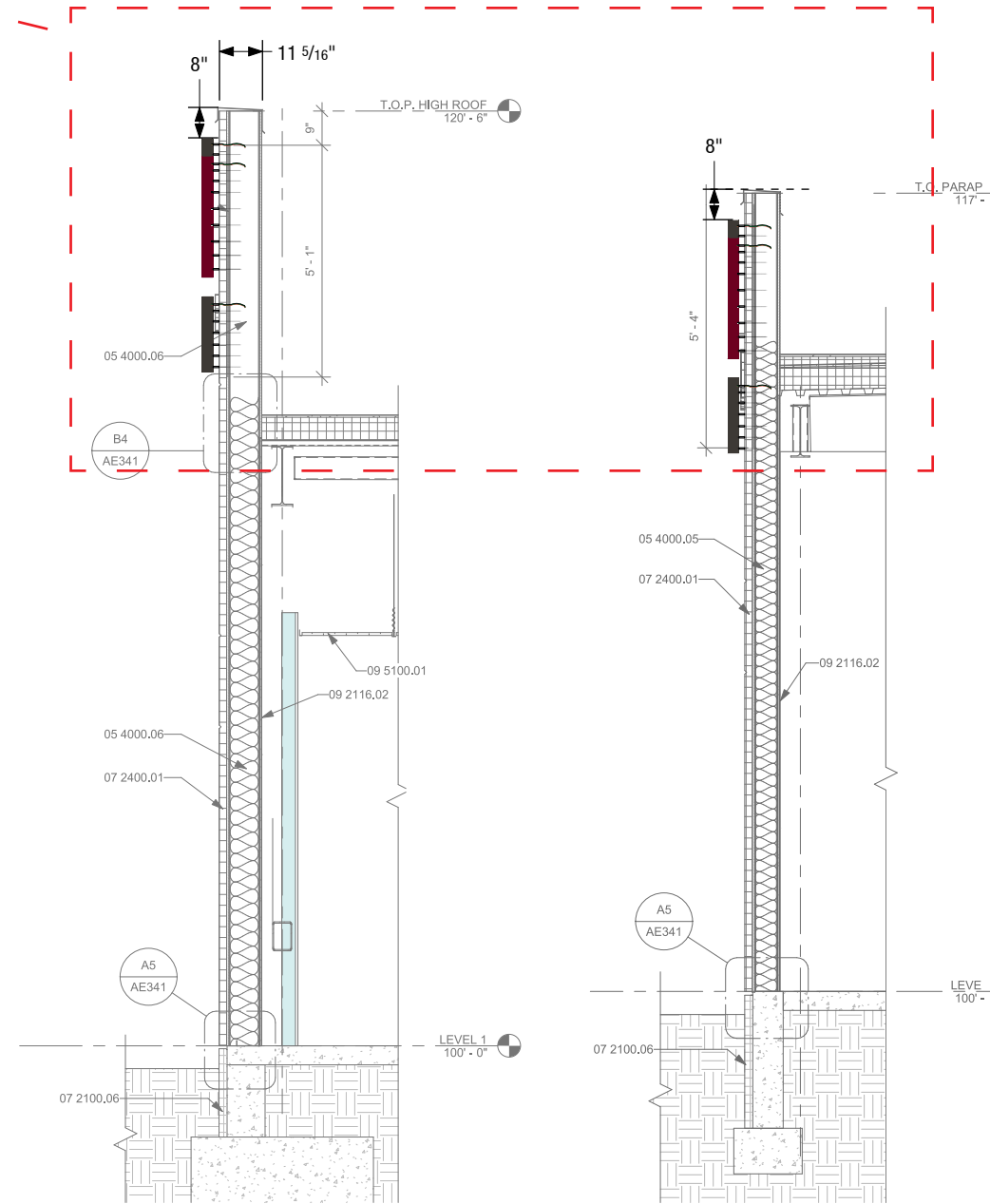
DRAWING Q:\Presbyterian\6400 Paseo Del Norte\20190516 PresNow New Building Sign Design\Exterior Submittal\Design Drawings Linked In InDesign Submittal Package\PresNow Channel Letters.ai  
 PACKAGE Q:\Presbyterian\6400 Paseo Del Norte\20190516 PresNow New Building Sign Design\Exterior Submittal\20190518\_PRESNowExterior\_FrontLitChannel Letters

CONTACT	DRAWN BY	CLIENT / PROJECT	SUBMITTAL DATE	DRAWING REVISED DATE	SHEET TITLE	SHEET
Albuquerque / Phoenix P 505.888.2901 ext 104 F 505.888.2902 csbsigns.com	Johnathan Sylversmythe JohnathanS@csbsigns.com <small>This artwork and design is owned by Century Sign Builders unless expressly stated. Use of this document or the design shown here without permission is prohibited.</small>	Client / GC: 6400 Presbyterian PRESNow Project: Re-Design of Exterior Signage	00/00/0000 <small>Sign Package Modification Date: June 10, 2019 11:48 AM</small>	00/00/0000	Design and Specification	20
		<b>APPROVAL REQUIRED FOR PRODUCTION</b>	SIGNATURE / DATE			





**A** **DETAIL SIDE VIEW COMPONENTS**  
SCALE: 3/4"=1'-0"



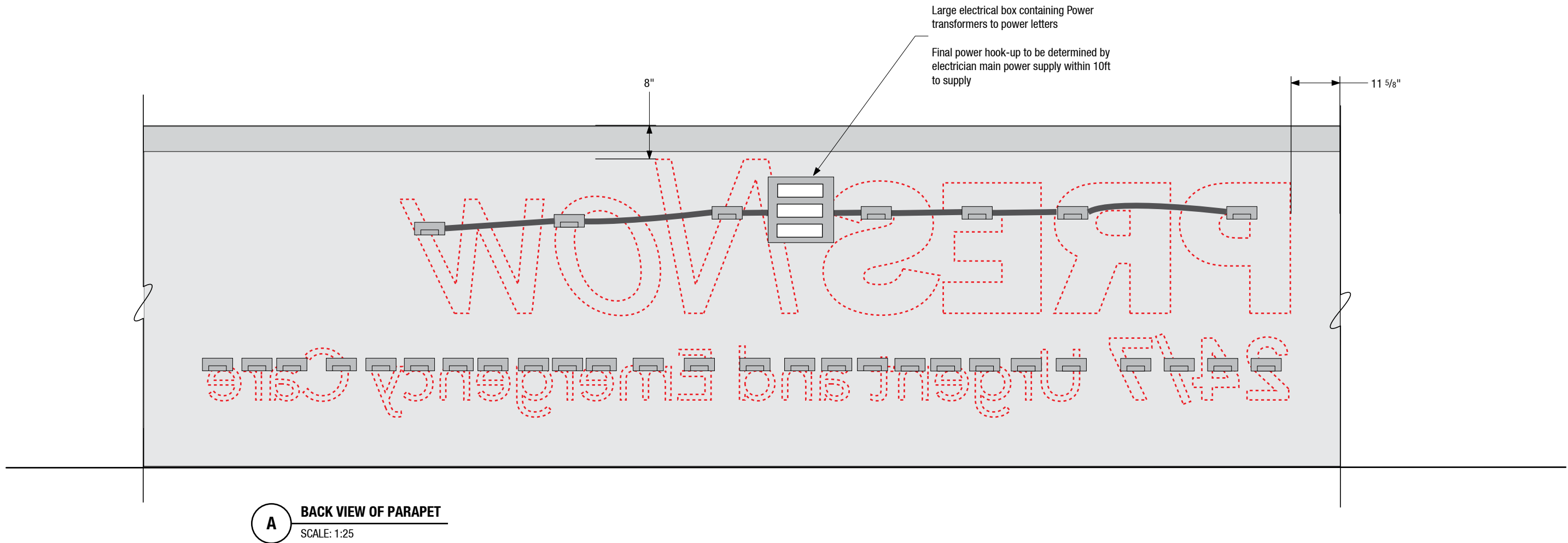
**B** **SIDE VIEW WALL 1**  
SCALE: 1/4"=1'-0"

**A3** **EXTERIOR WALL SECTION**  
**C** **SIDE VIEW WALL 2**  
SCALE: 1/4"=1'-0"

PACKAGE Q:\Presbyterian\6400 Paseo Del Norte\20190516 PresNow New Building Sign Design\Exterior Submittal\20190518\_PRESNowExterior\_FrontLitChannel Letters

CONTACT	DRAWN BY	CLIENT / PROJECT	SUBMITTAL DATE	DRAWING REVISED DATE	SHEET TITLE	SHEET
Albuquerque / Phoenix P 505.888.2901 ext 104 F 505.888.2902 csbsigns.com	Johnathan Sylversmythe JohnathanS@csbsigns.com This artwork and design is owned by Century Sign Builders unless expressly stated. Use of this document or the design shown here without permission is prohibited.	Client / GC: 6400 Presbyterian PRESNow Project: Re-Design of Exterior Signage <b>APPROVAL REQUIRED FOR PRODUCTION</b>	00/00/0000 Sign Package Modification Date: June 10, 2019 11:48 AM	00/00/0000	Wall Sections Type for mounting	21
		SIGNATURE / DATE				





**A** BACK VIEW OF PARAPET  
SCALE: 1:25

PACKAGE Q:\Presbyterian\6400 Paseo Del Norte\20190516 PresNow New Building Sign Design\Exterior Submittal\20190518\_PRESNowExterior\_FrontLitChannel Letters

CONTACT	DRAWN BY	CLIENT / PROJECT	SUBMITTAL DATE	DRAWING REVISED DATE	SHEET TITLE	SHEET
Albuquerque / Phoenix P 505.888.2901 ext 104 F 505.888.2902 csbsigns.com	Johnathan Sylversmythe JohnathanS@csbsigns.com <small>This artwork and design is owned by Century Sign Builders unless expressly stated. Use of this document or the design shown here without permission is prohibited.</small>	Client / GC: 6400 Presbyterian PRESNow Project: Re-Design of Exterior Signage <b>APPROVAL REQUIRED FOR PRODUCTION</b>	00/00/0000 <small>Sign Package Modification Date: June 10, 2019 11:48 AM</small>	00/00/0000	General View of Parapet Electrical Hook-Up	22
		SIGNATURE / DATE				







Electrical wires run through back



Conduit, electrical boxes, and wire set-up



Final electrical set-up



Main power box to hold LED power supplies Electrician to run main power to box for final hook up

PACKAGE Q:\Presbyterian\6400 Paseo Del Norte\20190516 PresNow New Building Sign Design\Exterior Submittal\20190518\_PRESNowExterior\_FrontLitChannel Letters

CONTACT	DRAWN BY	CLIENT / PROJECT	SUBMITTAL DATE	DRAWING REVISED DATE	SHEET TITLE	SHEET
Albuquerque / Phoenix P 505.888.2901 ext 104 F 505.888.2902 csbsigns.com	Johnathan Sylversmythe JohnathanS@csbsigns.com This artwork and design is owned by Century Sign Builders unless expressly stated. Use of this document or the design shown here without permission is prohibited.	Client / GC: 6400 Presbyterian PRESNow Project: Re-Design of Exterior Signage  <b>APPROVAL REQUIRED FOR PRODUCTION</b> SIGNATURE / DATE	00/00/0000 Sign Package Modification Date: June 10, 2019 11:48 AM	00/00/0000	Photo Example of Entire Hook-Up	<b>23</b>





# Sign Type Illuminated Channel Letters

Description: Halo Illuminated Dimensional Letters

**QUANTITY**  
1 Set - Double Quantity for 2 sets

**SPECIFICATIONS**

**1. SG BOXES WITH BLANK COVERS**  
Quantity: 16

**2. ELECTRICAL FLEX CONDUIT**  
Type: Exterior rated Liquid Tight Conduit  
Length: 50'  
Size: 1/2"

**3. CONDUIT NIPPLES**  
Quantity: 80

**4. WEATHER PROOF BOXES**  
Size: 6x10  
Quantity: 3

**5. CONDUIT CLIPS**  
Size: 3/4"  
Quantity: Box of 100  
Type: EMT one hole strap or equivalent.

**6. WIRE NUTS BLUE & ORANGE**  
Type: IDEAL 73B Orange Wire-Nut 100-Pack  
Orange Wire Connectors  
Quantity: 2 Bags

Type: IDEAL 71B WIRE-NUT 150-Pack Gray  
Wire Connectors  
Quantity: 2 Bags

**7. SPECIALTY BIT**  
Size: Length varies on wall  
Type: Depends on wall type for Wood, Brick,  
Concrete, Etc.  
Quantity: 1

**8. PHOTOSENSORS**  
Type: 3002 Tork Photocontrol Flushmounting  
Hole: 1 1/16"  
Quantity: 3

**9. SILICONE SEALANT**  
Type: 3M 550 FC  
Polyurethane Adhesive Sealant 550 Fast  
Cure  
Quantity: 3 to 4

**10. WASHERS**  
Size: 1.25" O.D.  
Hole: Minimum 3/8" to 1/2"  
Quantity: 25 or 1 per whip of each letter or  
logo

**11. SILICONE SEALANT**  
Type: Dow Corning 1119 Sealant  
Quantity: 5 to 6 cans



Drill Bit will vary due to wall  
material confirm wall system type



PACKAGE Q:\Presbyterian\6400 Paseo Del Norte\20190516 PresNow New Building Sign Design\Exterior Submittal\20190518\_PRESNowExterior\_FrontLitChannel Letters

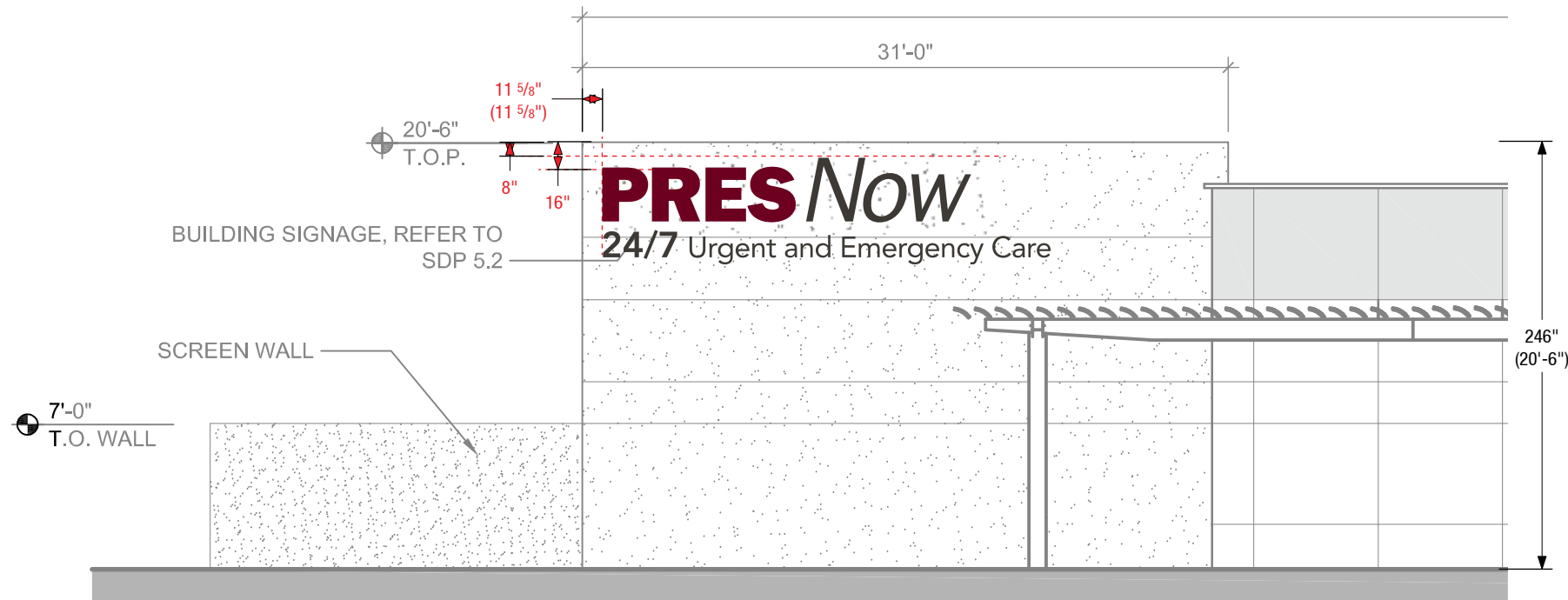
CONTACT	DRAWN BY	CLIENT / PROJECT	SUBMITTAL DATE	DRAWING REVISED DATE	SHEET TITLE	SHEET
Albuquerque / Phoenix P 505.888.2901 ext 104 F 505.888.2902 csbsigns.com	Johnathan Sylversmythe JohnathanS@csbsigns.com This artwork and design is owned by Century Sign Builders unless expressly stated. Use of this document or the design shown here without permission is prohibited.	Client / GC: 6400 Presbyterian PRESNow Project: Re-Design of Exterior Signage <b>APPROVAL REQUIRED FOR PRODUCTION</b>	00/00/0000 Sign Package Modification Date: June 10, 2019 11:48 AM	00/00/0000	Supplies needed to complete Electrical Hook-Up	24

# PRES

Total Height: 31' Visibility Distance Still: 750'-890'

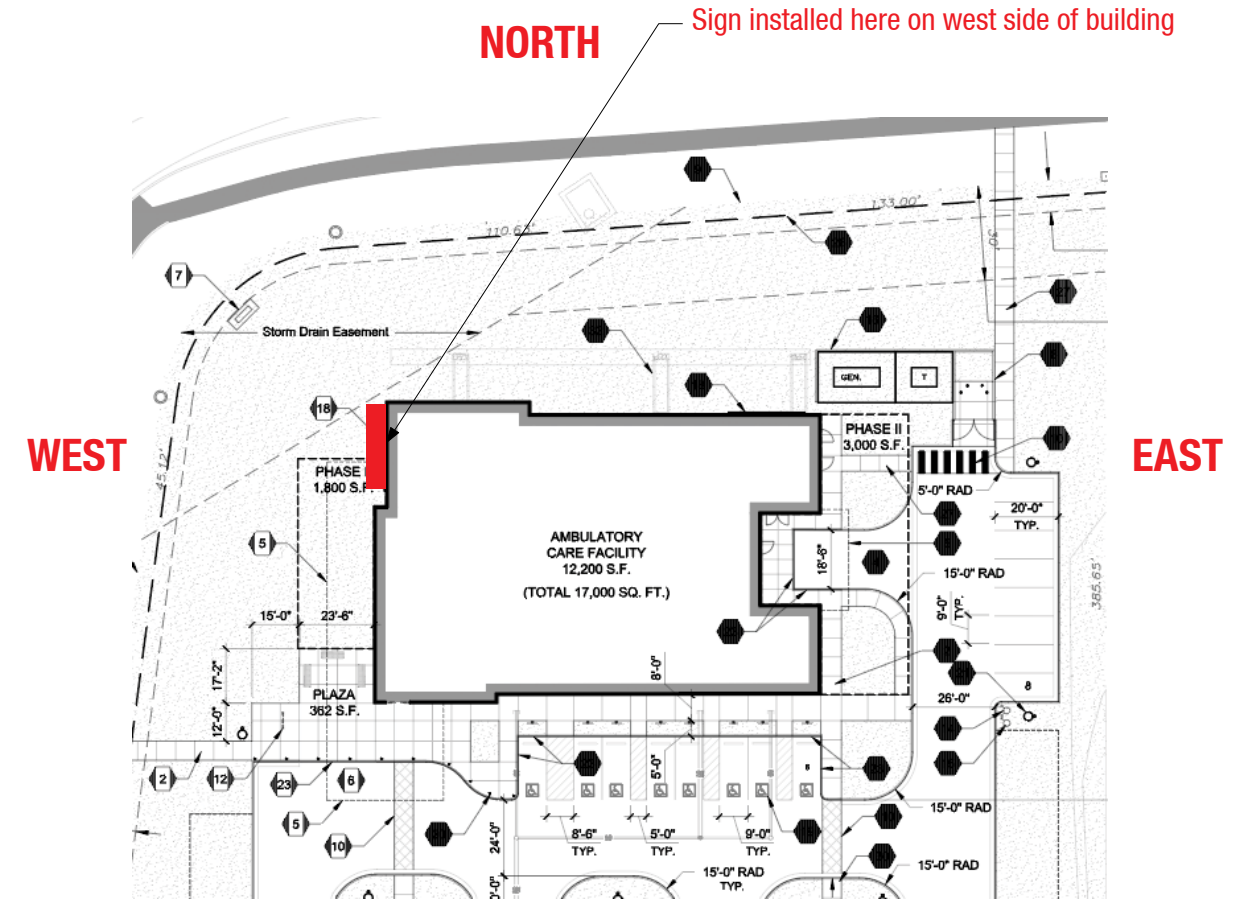
# Now

Total Height: N "36", OW "27" Visibility Distance Still: 800'-1044'



**C1** WEST ELEVATION  
1/8" = 1'-0"

**A** BUILDING ELEVATION - WEST  
SCALE: 1/8"=1'



**B** BUILDING ELEVATION - WEST MACRO VIEW  
SCALE: NTS

PACKAGE Q:\Presbyterian\6400 Paseo Del Norte\20190516 PresNow New Building Sign Design\Exterior Submittal\20190518\_PRESNowExterior\_FrontLitChannel Letters

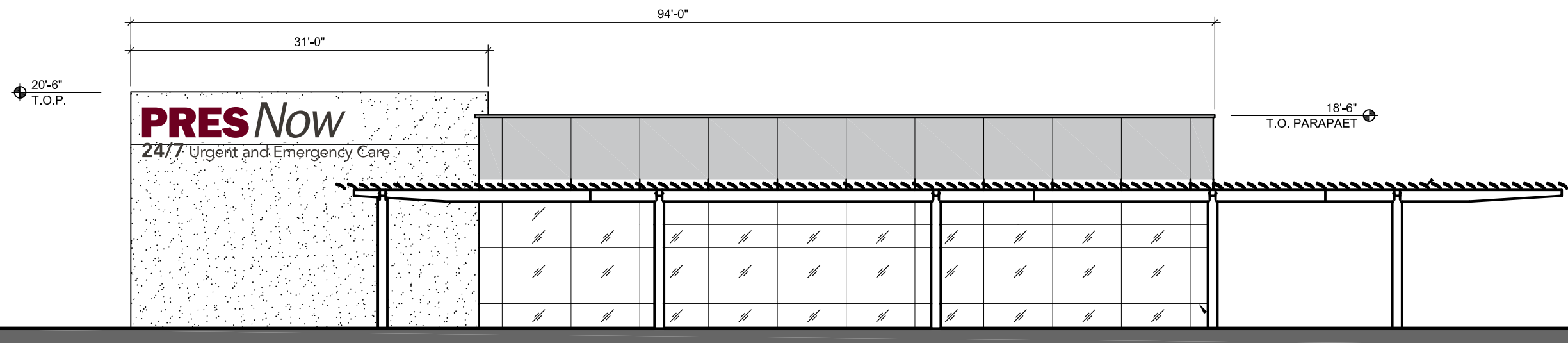


CONTACT	DRAWN BY	CLIENT / PROJECT	SUBMITTAL DATE	DRAWING REVISED DATE	SHEET TITLE	SHEET
Albuquerque / Phoenix P 505.888.2901 ext 104 F 505.888.2902 csbsigns.com	Johnathan Sylversmythe JohnathanS@csbsigns.com <small>This artwork and design is owned by Century Sign Builders unless expressly stated. Use of this document or the design shown here without permission is prohibited.</small>	Client / GC: 6400 Presbyterian PRENow Project: Re-Design of Exterior Signage <b>APPROVAL REQUIRED FOR PRODUCTION</b>	00/00/0000 <small>Sign Package Modification Date: June 10, 2019 11:48 AM</small>	00/00/0000	PRESNow Front lit letters West Side Installation details	<b>25</b>





**A** DIMENSIONAL LETTERS  
SCALE: 1/8"=1'



**B** DIMENSIONAL LETTERS  
SCALE: 3/32"=1'

PACKAGE Q:\Presbyterian\6400 Paseo Del Norte\20190516 PresNow New Building Sign Design\Exterior Submittal\20190518\_PRESNowExterior\_FrontLitChannel Letters



CONTACT	DRAWN BY	CLIENT / PROJECT	SUBMITTAL DATE	DRAWING REVISED DATE	SHEET TITLE	SHEET
Albuquerque / Phoenix P 505.888.2901 ext 104 F 505.888.2902 csbsigns.com	Johnathan Sylversmythe JohnathanS@csbsigns.com <small>This artwork and design is owned by Century Sign Builders unless expressly stated. Use of this document or the design shown here without permission is prohibited.</small>	Client / GC: 6400 Presbyterian PRESNow Project: Re-Design of Exterior Signage <b>APPROVAL REQUIRED FOR PRODUCTION</b> SIGNATURE / DATE	00/00/0000 Sign Package Modification Date: June 10, 2019 11:48 AM	00/00/0000	PRESNow Daytime View of Front Lit Letters	<b>26</b>



**A** DIMENSIONAL LETTERS  
SCALE: 3/32"=1'

PACKAGE Q:\Presbyterian\6400 Paseo Del Norte\20190516 PresNow New Building Sign Design\Exterior Submittal\20190518\_PRESNowExterior\_FrontLitChannel Letters



CONTACT	DRAWN BY	CLIENT / PROJECT	SUBMITTAL DATE	DRAWING REVISED DATE	SHEET TITLE	SHEET
Albuquerque / Phoenix P 505.888.2901 ext 104 F 505.888.2902 csbsigns.com	Johnathan Sylversmythe JohnathanS@csbsigns.com <small>This artwork and design is owned by Century Sign Builders unless expressly stated. Use of this document or the design shown here without permission is prohibited.</small>	Client / GC: 6400 Presbyterian PRESNow Project: Re-Design of Exterior Signage <b>APPROVAL REQUIRED FOR PRODUCTION</b>	00/00/0000 <small>Sign Package Modification Date: June 10, 2019 11:48 AM</small>	00/00/0000	PRESNow Night time view of Letters	<b>27</b>
		SIGNATURE / DATE				

# PRES

Total Height: 31' Visibility Distance Still: 750'-890'

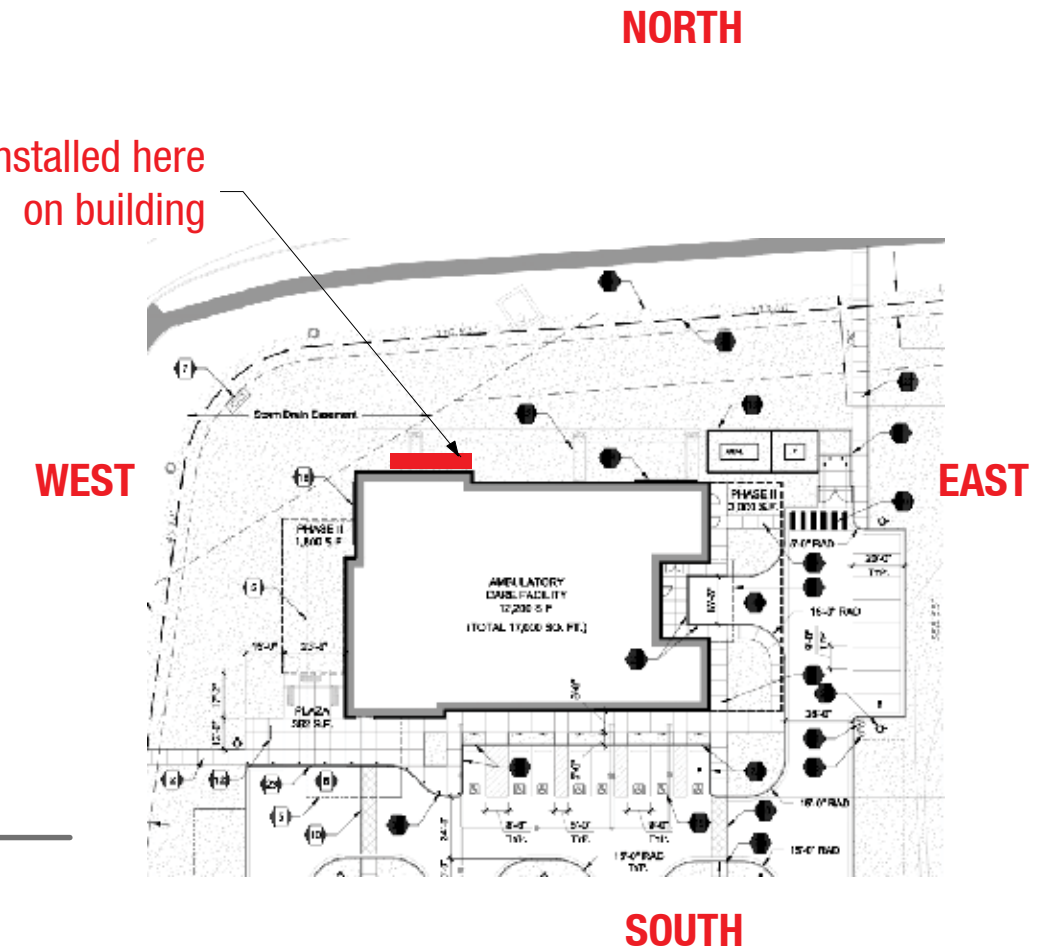
# Now

Total Height: N "36", OW "27" Visibility Distance Still: 800'-1044'



**A** BUILDING ELEVATION - NORTH  
SCALE: 1/8"=1'

Sign installed here  
on building



**B** BUILDING ELEVATION - NORTH MACRO VIEW  
SCALE: NTS

PACKAGE Q:\Presbyterian\6400 Paseo Del Norte\20190516 PresNow New Building Sign Design\Exterior Submittal\20190518\_PRESNowExterior\_FrontLitChannel Letters

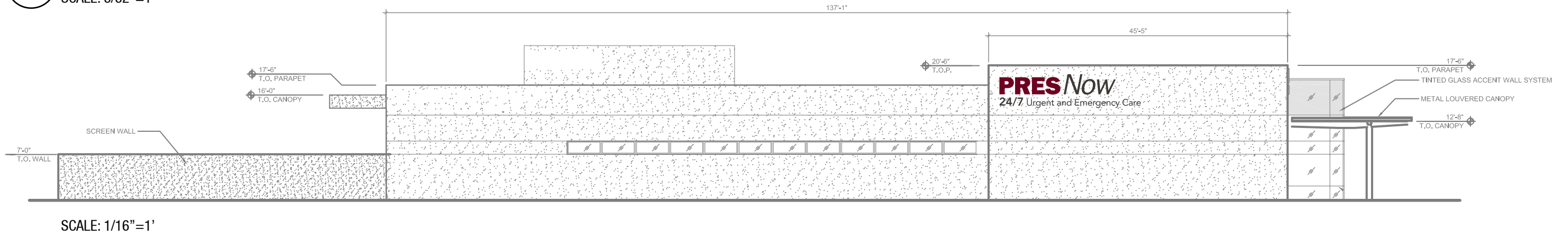
CONTACT	DRAWN BY	CLIENT / PROJECT	SUBMITTAL DATE	DRAWING REVISED DATE	SHEET TITLE	SHEET
Albuquerque / Phoenix P 505.888.2901 ext 104 F 505.888.2902 csbsigns.com	Johnathan Sylversmythe JohnathanS@csbsigns.com <small>This artwork and design is owned by Century Sign Builders unless expressly stated. Use of this document or the design shown here without permission is prohibited.</small>	Client / GC: 6400 Presbyterian PRESNow Project: Re-Design of Exterior Signage <b>APPROVAL REQUIRED FOR PRODUCTION</b>	00/00/0000 <small>Sign Package Modification Date: June 10, 2019 11:48 AM</small>	00/00/0000	PRESNow Front lit letters North Side Installation details	28







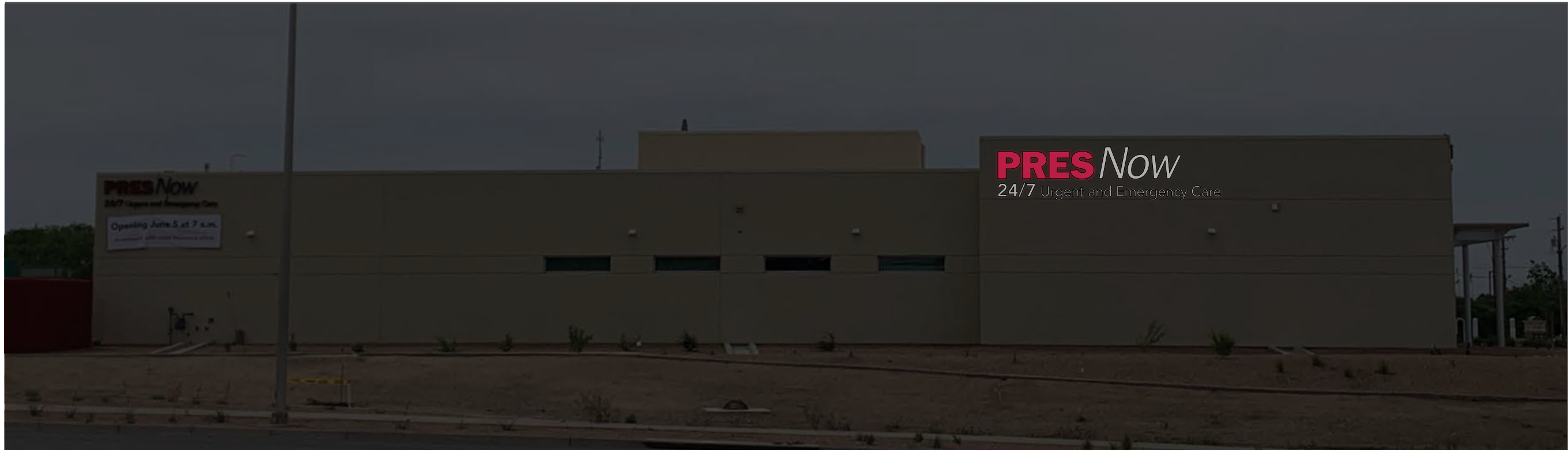
**A BUILDING ELEVATION - NORTH**  
SCALE: 3/32"=1'



PACKAGE Q:\Presbyterian\6400 Paseo Del Norte\20190516 PresNow New Building Sign Design\Exterior Submittal\20190518\_PRESNowExterior\_FrontLitChannel Letters

CONTACT	DRAWN BY	CLIENT / PROJECT	SUBMITTAL DATE	DRAWING REVISED DATE	SHEET TITLE	SHEET
Albuquerque / Phoenix P 505.888.2901 ext 104 F 505.888.2902 csbsigns.com	Johnathan Sylversmythe JohnathanS@csbsigns.com <small>This artwork and design is owned by Century Sign Builders unless expressly stated. Use of this document or the design shown here without permission is prohibited.</small>	Client / GC: 6400 Presbyterian PRESNow Project: Re-Design of Exterior Signage <b>APPROVAL REQUIRED FOR PRODUCTION</b> SIGNATURE / DATE	00/00/0000 <small>Sign Package Modification Date: June 10, 2019 11:48 AM</small>	00/00/0000	PRESNow Daytime View of Front Lit Letters North Side	<b>29</b>





**A DIMENSIONAL LETTERS**  
SCALE: 1/8"=1'

PACKAGE Q:\Presbyterian\6400 Paseo Del Norte\20190516 PresNow New Building Sign Design\Exterior Submittal\20190518\_PRESNowExterior\_FrontLitChannel Letters

CONTACT	DRAWN BY	CLIENT / PROJECT	SUBMITTAL DATE	DRAWING REVISED DATE	SHEET TITLE	SHEET
Albuquerque / Phoenix P 505.888.2901 ext 104 F 505.888.2902 csbsigns.com	Johnathan Sylversmythe JohnathanS@csbsigns.com <small>This artwork and design is owned by Century Sign Builders unless expressly stated. Use of this document or the design shown here without permission is prohibited.</small>	Client / GC: 6400 Presbyterian PRESNow Project: Re-Design of Exterior Signage  <b>APPROVAL REQUIRED FOR PRODUCTION</b>	00/00/0000 <small>Sign Package Modification Date: June 10, 2019 11:48 AM</small>	00/00/0000	PRESNow Nigh-time View of Front Lit Letters North Side	<b>30</b>
		SIGNATURE / DATE				



# 31

B.1 (A3) Replace Lexan  
Panels with revised Design

---

General Contractor: TBD  
Project: TBD  
Developed By: Century Sign Builders





# Sign Type A.3

## Paint Colors

	<b>P1</b>	Color: Matthews Paint System Paint to match 3M Translucent Vinyl #3630-49 Burgundy
	<b>P2</b>	Color: Matthews Paint System Paint to match 3M Translucent Vinyl #3630-51 Silver Gray
	<b>P3</b>	Color: Matthews Paint System Black

## Vinyl Colors

	<b>V1</b>	Color: 3M Translucent Vinyl #3630-49 Burgundy applied to substrate.
	<b>V2</b>	Color: 3M Translucent Vinyl #3630-51 Silver Gray applied to substrate.

### 1. MAIN CABINET - DOUBLE SIDED

**CURVED FACE**  
 Size: 55" H x 63" W x 20" D  
 Fabrication: Aluminum Frame  
 Returns: 13" deep .125" Aluminum  
 Retainers: 1.5" Flush with returns  
 with countersunk screws  
 Face: 3/16" Transl White Polycarbonate  
 with Vinyl Graphics  
 Paint: Matthews Paint System  
 to Match 3M Transl Vinyl #3630-49 Burgundy  
 Sheen: Satin  
 Illumination: Internal with White LED

### 2. ACCENT ELEMENT

Fabrication: Aluminum Frame  
 Returns: 8" deep  
 Retainers: 1.5"  
 Dividers: 1.5"  
 Face & Returns: 3/16" Transl White Polycarb  
 Paint: Matthews Paint System  
 to Match 3M Transl Vinyl#3630-51 Silver Gray  
 Sheen: Satin  
 Illumination: Internal with White LED

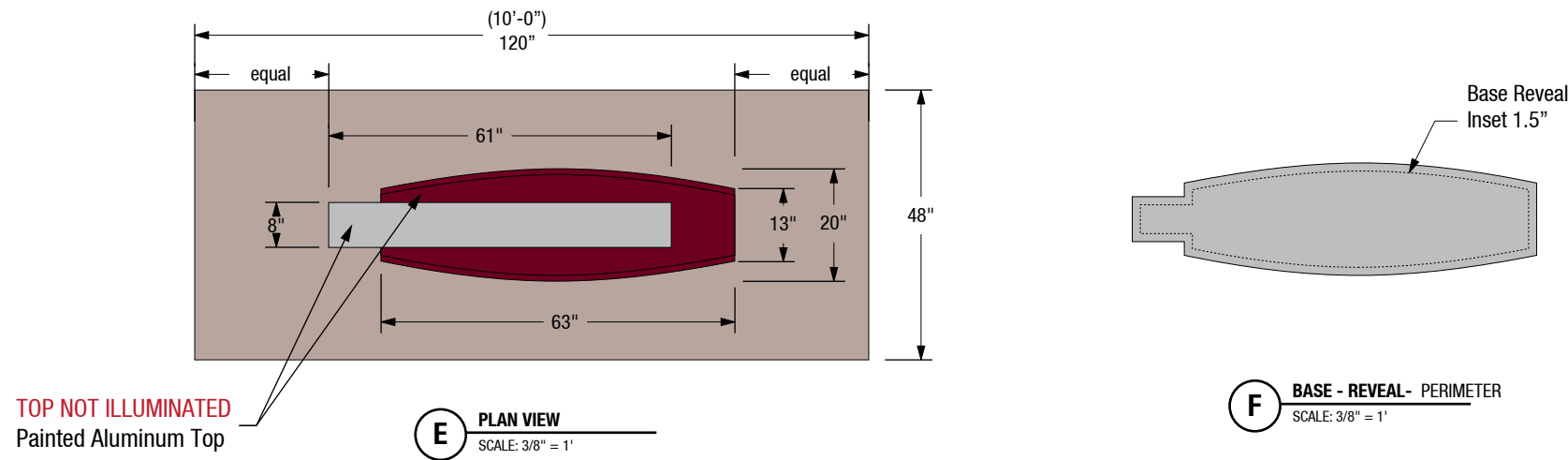
### 3. GRAPHIC PANELS

Substrate: 3/16" Transl Polycarbonate  
 Vinyl Graphics: 3M Translucent Vinyl  
 Colors: 3M#3630-49 Burgundy  
 & 3M#3630-51 Silver Gray  
 Applied First Surface  
 Letters to be white as shown on  
 polycarbonated face  
 Logo: Custom EPS provided by client

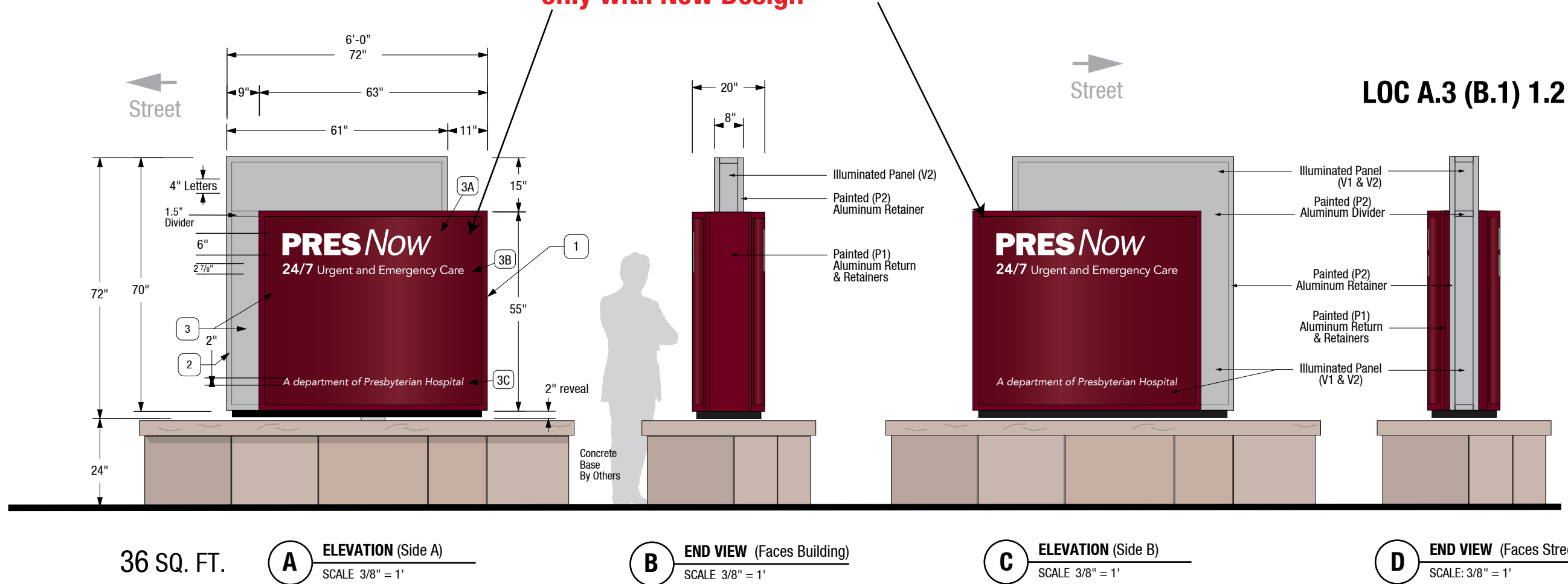
**A:** PRES Now:  
 Font: Custom Outline Logo  
 Height: 6"  
 Visibility Distance Still: 150'  
 Driving Visibility: 4'

**B:** 24/7 Urgent and Emergency Care:  
 Font: Custom Outline Logo  
 Height: 2 7/8"  
 Text Visibility Distance Still: 62' - 75'  
 Driving Visibility: 4'

**C:** A Department of ...:  
 Font: Avenir 55 Roman Italic  
 Height: 2"  
 Visibility Distance Still: 50'  
 Driving Visibility: 4'



**Existing Sign Replacing Lexan faces only with New Design**



**LOC A.3 (B.1) 1.2**

PACKAGE Q:\Presbyterian\6400 Paseo Del Norte\20190516 PresNow New Building Sign Design\Exterior Submittal\20190518\_PRESNowExterior\_FrontLitChannel Letters



**CONTACT**  
 Albuquerque / Phoenix  
 P 505.888.2901 ext 104  
 F 505.888.2902  
 csbsigns.com

**DRAWN BY**  
 Johnathan Sylversmythe  
 JohnathanS@csbsigns.com  
 This artwork and design is owned by Century Sign Builders  
 unless expressly stated. Use of this document or the design  
 shown here without permission is prohibited.

**CLIENT / PROJECT**  
 Client / GC: 6400 Presbyterian PRESNow  
 Project: Re-Design of Exterior Signage

**APPROVAL REQUIRED FOR PRODUCTION**  
 SIGNATURE / DATE

**SUBMITTAL DATE**  
 00/00/0000  
 Sign Package Modification Date: June 10, 2019 11:48 AM

**DRAWING REVISED DATE**  
 00/00/0000

**SHEET TITLE**  
 Design and Specification

**SHEET**

**32**

# Sign Type A.3

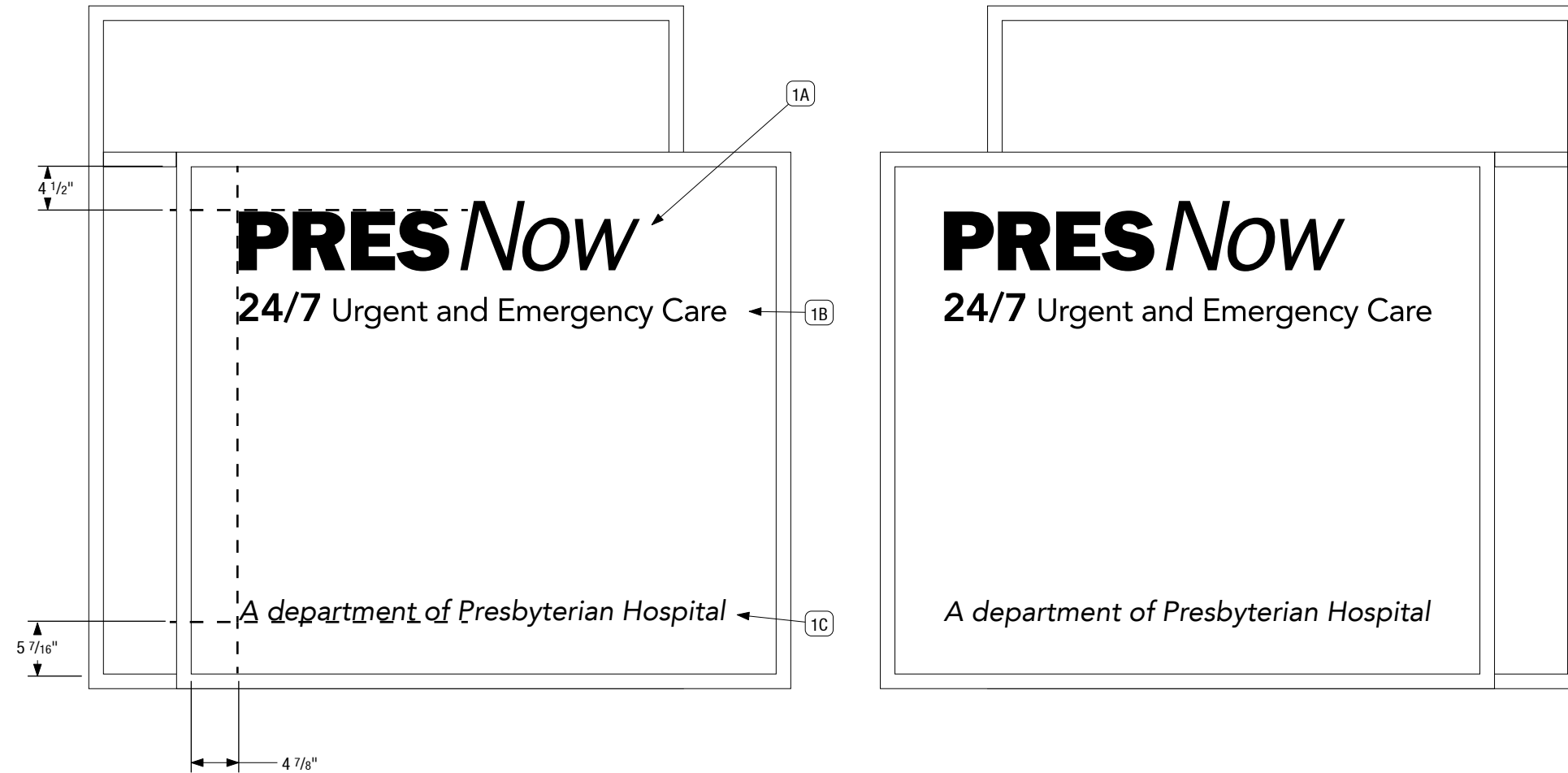
## 1. GRAPHIC PANELS

Substrate: 3/16" Transl Polycarbonate  
 Vinyl Graphics: 3M Translucent Vinyl  
 Colors: 3M#3630-49 Burgundy  
 & 3M#3630-51 Silver Gray  
 Burgundy Logo with (1/16" Trap)  
 Applied First Surface  
 Letters to be white as shown on  
 polycarbonated face  
 Logo: Custom EPS provided by client

**A:** PRES Now:  
 Font: Custom Outline Logo  
 Height: 6"  
 Visibility Distance Still: 150'  
 Driving Visibility: 4'

**B:** 24/7 Urgent and Emergency Care:  
 Font: Custom Outline Logo  
 Height: 2 7/8"  
 Text Visibility Distance Still: 62' - 75'  
 Driving Visibility: 4'

**C:** A Department of ...  
 Font: Avenir 55 Roman Italic  
 Height: 2"  
 Visibility Distance Still: 50'  
 Driving Visibility: 4'



**A** **CAMPUS DIRECTIONAL**  
 SCALE: 3/4" = 1'

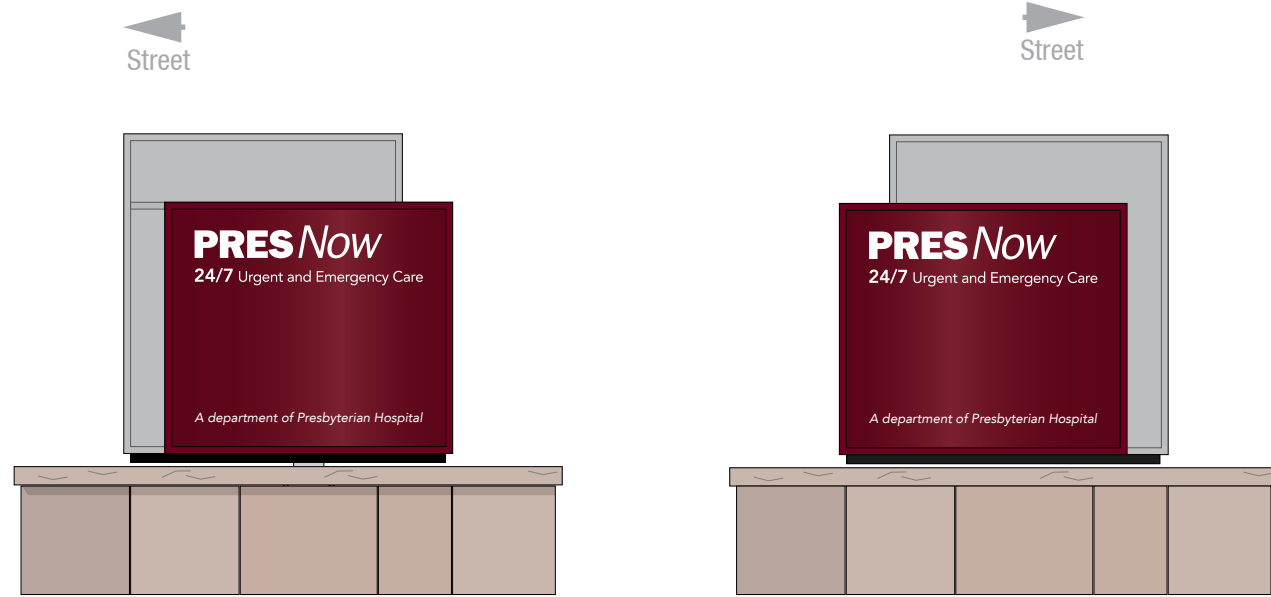
## LOC A.3 (B.1) 1.2

See design intent rendering for complete sign specifications.

PACKAGE Q:\Presbyterian\6400 Paseo Del Norte\20190516 PresNow New Building Sign Design\Exterior Submittal\20190518\_PRESNowExterior\_FrontLitChannel Letters

CONTACT	DRAWN BY	CLIENT / PROJECT	SUBMITTAL DATE	DRAWING REVISED DATE	SHEET TITLE	SHEET
Albuquerque / Phoenix P 505.888.2901 ext 104 F 505.888.2902 csbsigns.com	Johnathan Sylversmythe JohnathanS@csbsigns.com <small>This artwork and design is owned by Century Sign Builders unless expressly stated. Use of this document or the design shown here without permission is prohibited.</small>	Client / GC: 6400 Presbyterian PRESNow Project: Re-Design of Exterior Signage <b>APPROVAL REQUIRED FOR PRODUCTION</b>	00/00/0000 <small>Sign Package Modification Date: June 10, 2019 11:48 AM</small>	00/00/0000	Graphic Layout of Replacement Lexan Face	<b>33</b>
		SIGNATURE / DATE				



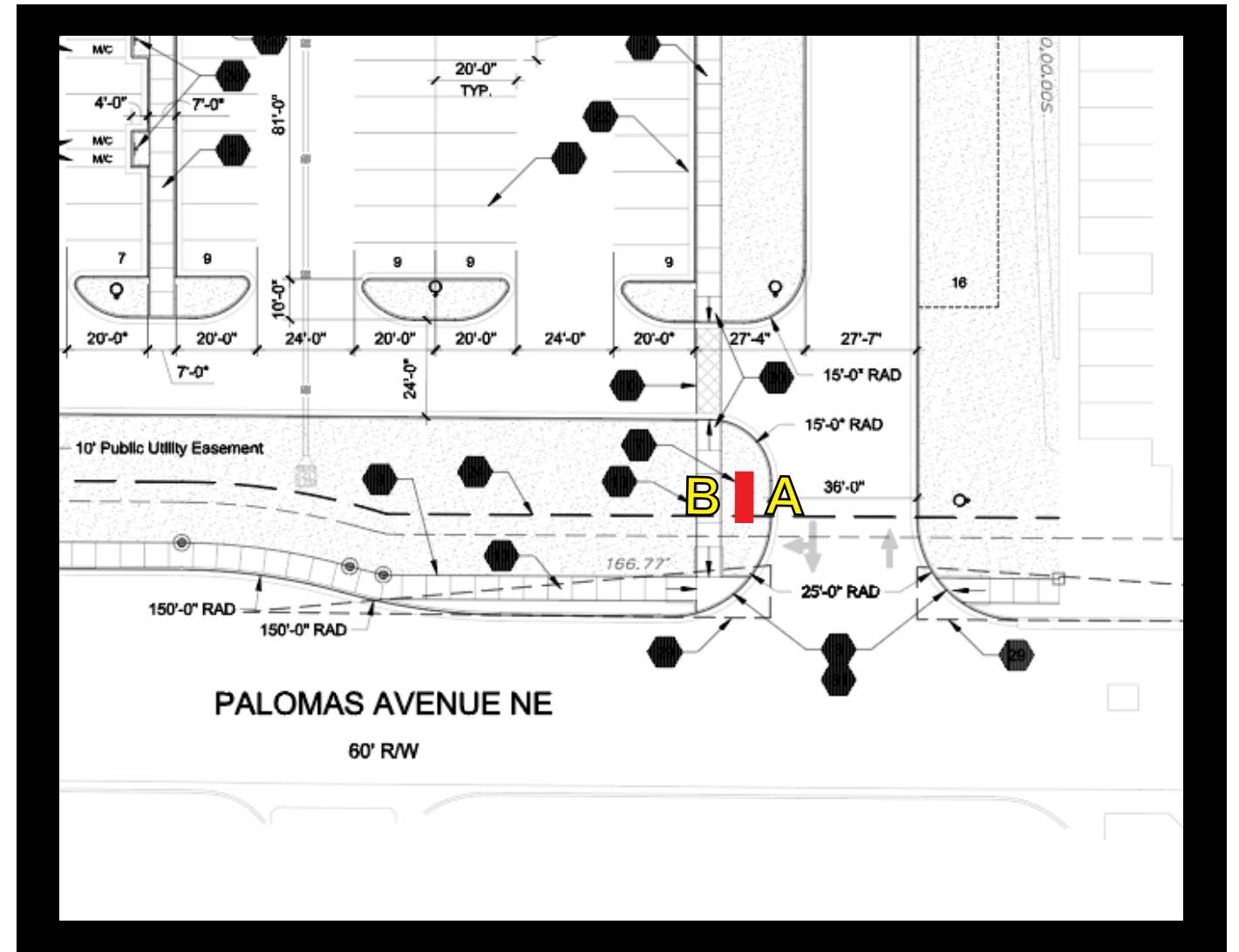


**A** MESSAGES  
SCALE: NTS

**B** MESSAGES  
SCALE: NTS

TBD

**B** PHOTO OVERLAY  
SCALE: NTS EXACT MEASUREMENTS TO COME



EXACT MEASUREMENTS TO COME

**C** PLACEMENT  
SCALE: NTS

LOC A.3 (B.1) 1.2

PACKAGE Q:\Presbyterian\6400 Paseo Del Norte\20190516 PresNow New Building Sign Design\Exterior Submittal\20190518\_PRESNowExterior\_FrontLitChannel Letters

CONTACT	DRAWN BY	CLIENT / PROJECT	SUBMITTAL DATE	DRAWING REVISED DATE	SHEET TITLE	SHEET
Albuquerque / Phoenix P 505.888.2901 ext 104 F 505.888.2902 csbsigns.com	Johnathan Sylversmythe JohnathanS@csbsigns.com <small>This artwork and design is owned by Century Sign Builders unless expressly stated. Use of this document or the design shown here without permission is prohibited.</small>	Client / GC: 6400 Presbyterian PRESNow Project: Re-Design of Exterior Signage <b>APPROVAL REQUIRED FOR PRODUCTION</b>	00/00/0000 <small>Sign Package Modification Date: June 10, 2019 11:48 AM</small>	00/00/0000	Location of sign having replacement faces	34

