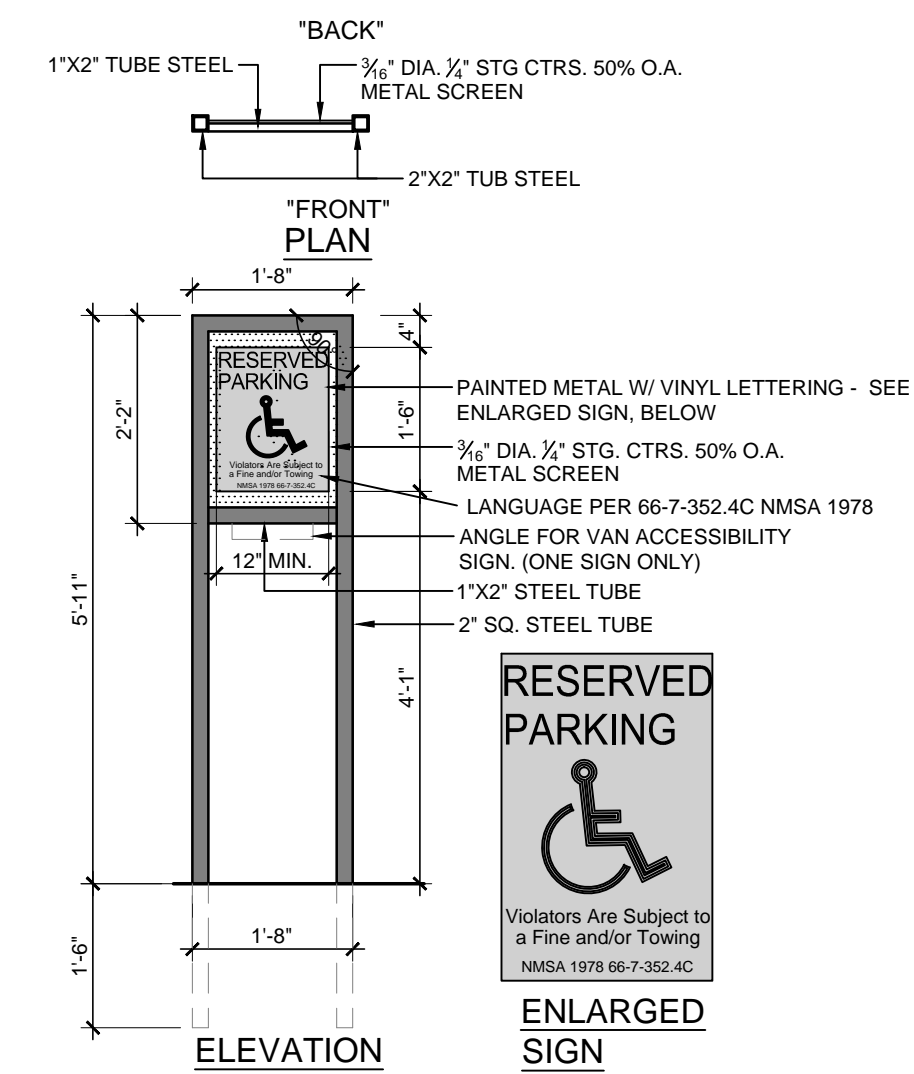
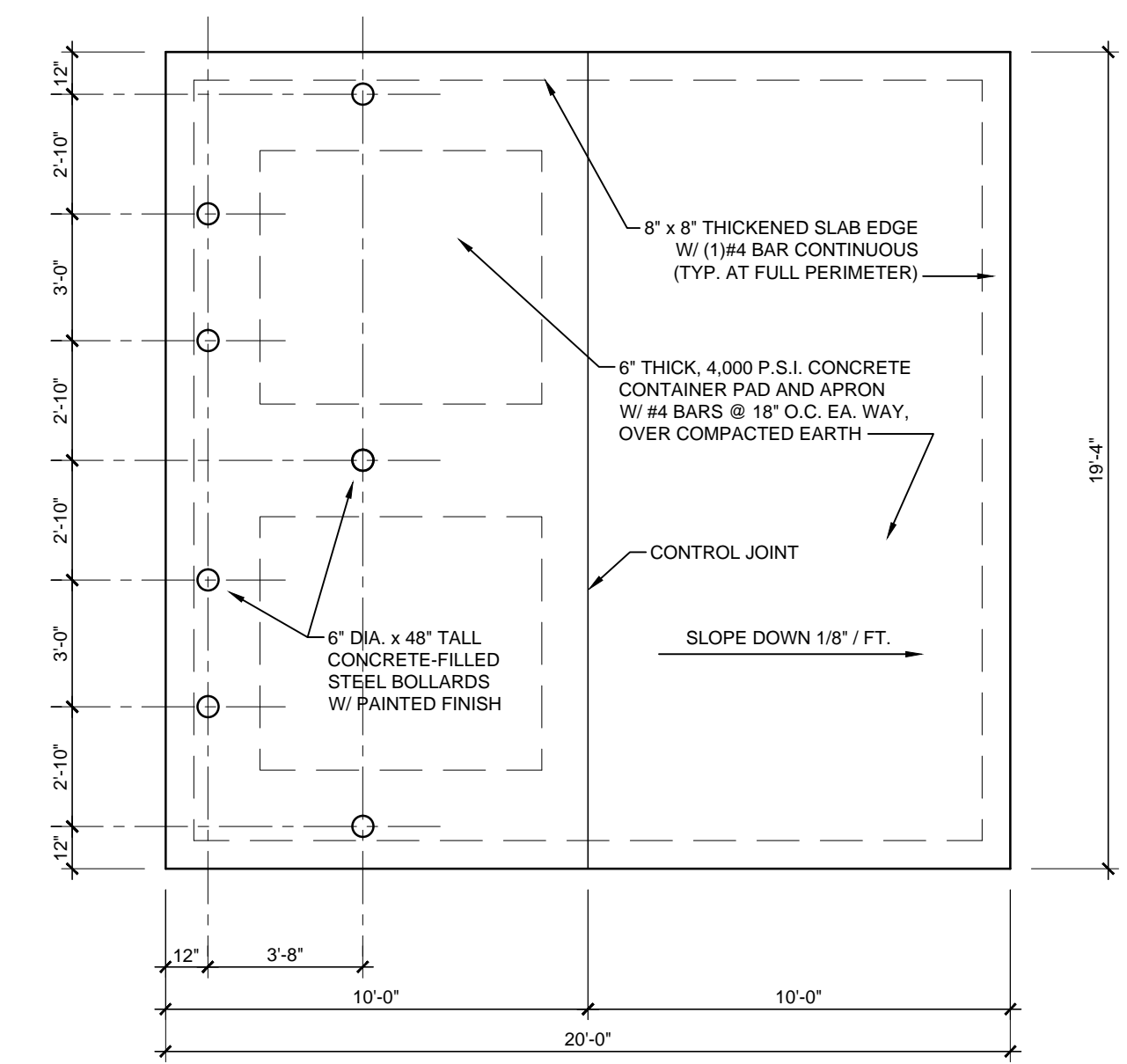


REVISIONS:

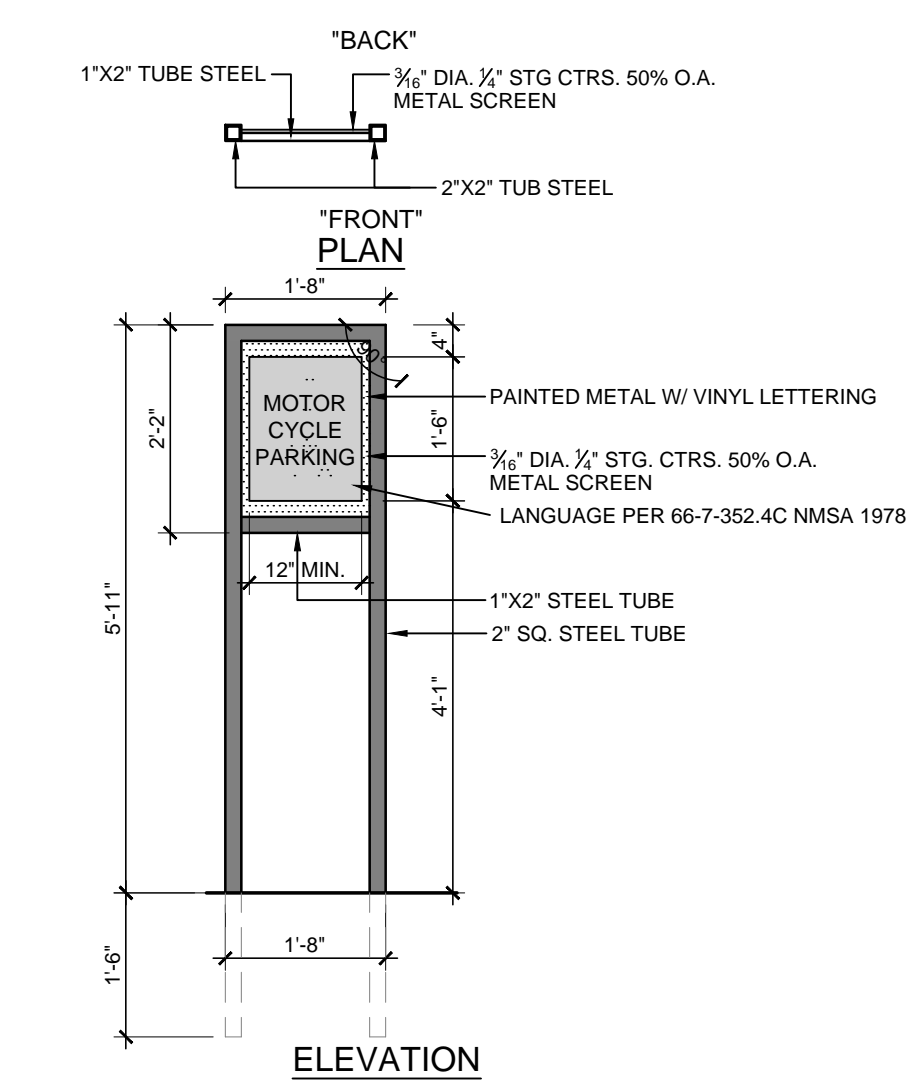
SCALE:
AS SHOWN
PLAN DATE:
AUGUST 30, 2019
FILENAME:
4000 ELLISON
DRAWN BY:
B.KLEINSCHMIDT



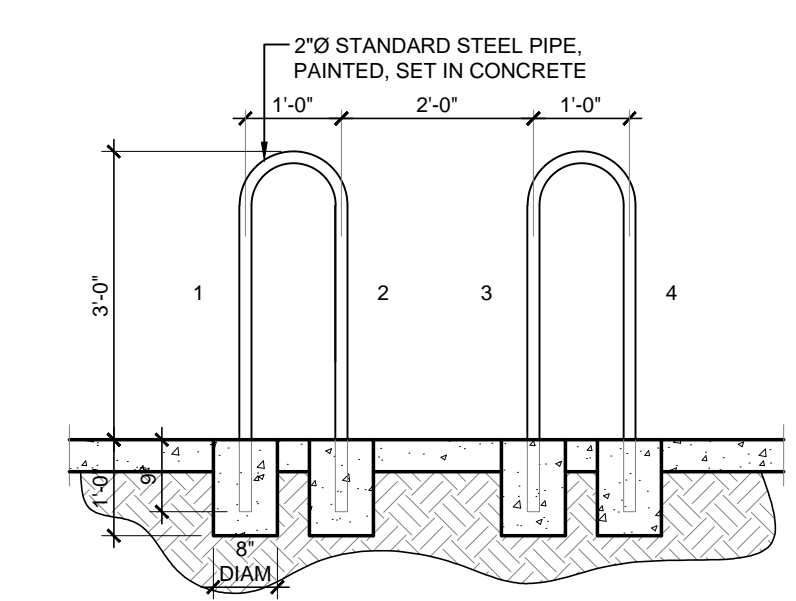
5 HANDICAP PARKING SIGNAGE
1/2" = 1'-0"



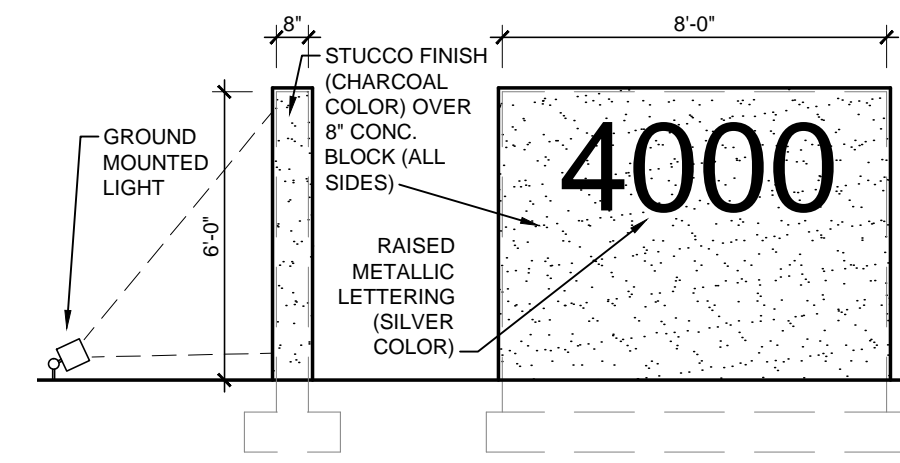
1 REFUSE CONTAINER PAD AND APRON
1/4" = 1'-0"



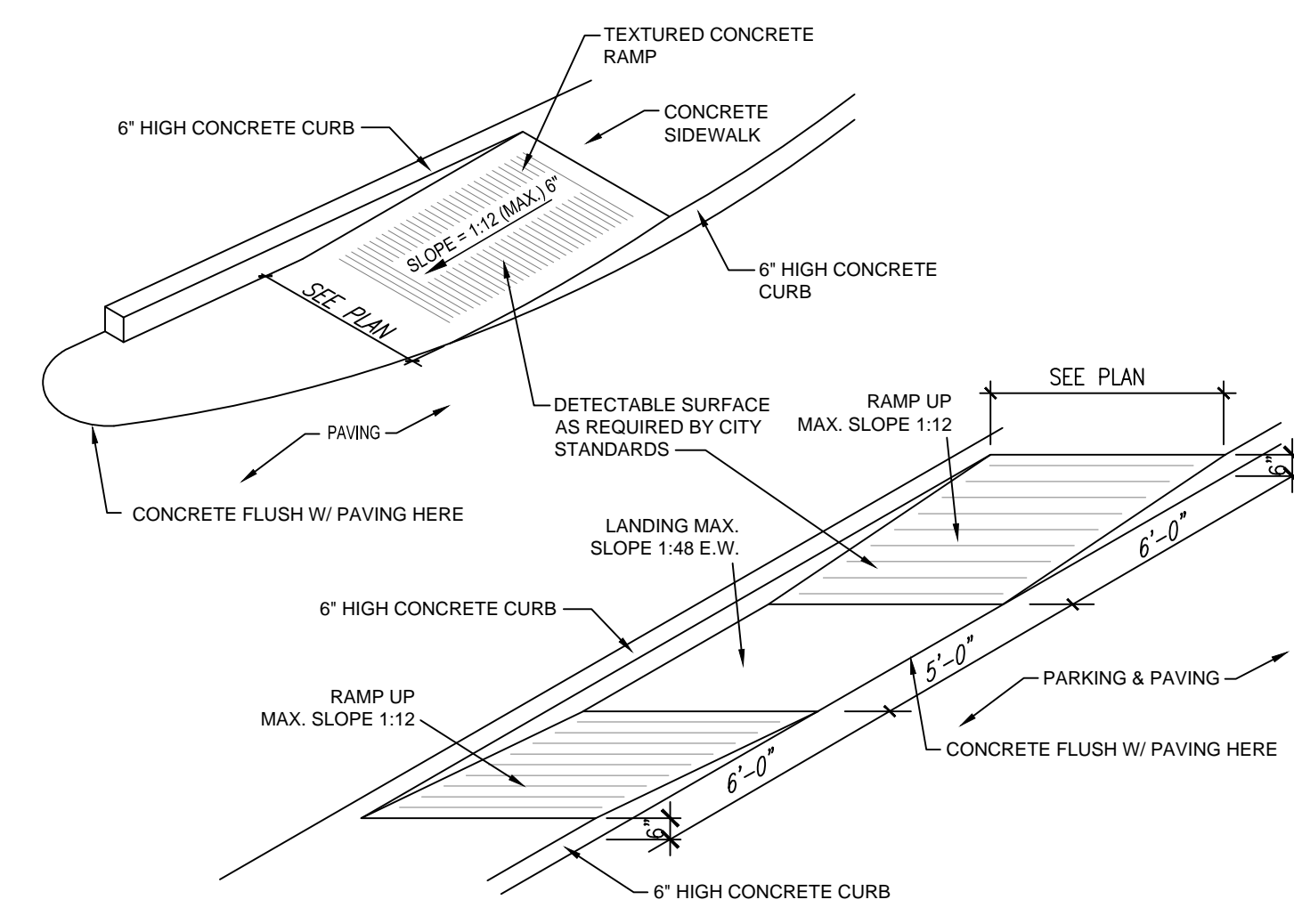
6 MOTORCYCLE SIGNAGE
1/2" = 1'-0"



2 BICYCLE PARKING
1/2" = 1'-0"



3 MONUMENT SIGN
1/4" = 1'-0"



4 SIDEWALK RAMP DETAILS
NO SCALE