

NOTE:  
 1. THE EXISTING PARKING LOT AND BUILDINGS WILL BE DEMOLISHED UNLESS OTHERWISE SPECIFIED ON THIS PLAN.  
 2. PROPOSED PUBLIC INFRASTRUCTURE WILL BE INCLUDED ON PUBLIC WORK ORDER.

**KEYED NOTES**

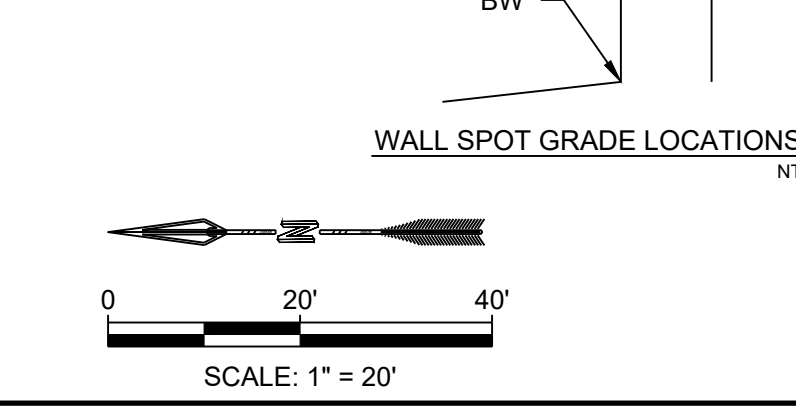
I.D.#	DESCRIPTION
2	INSTALL 2' CURB OPENING AND CHANNEL. SEE DETAIL SHEET C-500.
4	2' SIDEWALK CULVERT PER COA STD DTL DWG 2236.
5	INSTALL 1' CURB OPENING. SEE DETAIL SHEET C-500.

- GRADING NOTES**
- CONTRACTOR TO FIELD VERIFY LOCATION AND ELEVATION OF ALL EXISTING DRY AND WET UTILITIES PRIOR TO CONSTRUCTION AND NOTIFY ENGINEER OF ANY ISSUES. UTILITY RELOCATION MAY BE REQUIRED.
  - FINISH GRADE OF SOIL EDGES ALONG PAVEMENT TO BE 1/2" BELOW EDGE OF PAVEMENT.
  - STRIP AND STOCKPILE TOPSOIL FROM GRADING AREAS. USE STOCKPILED TOPSOIL AND IMPORTED TOPSOIL AS NECESSARY FOR SURFACE RESTORATION.
  - GRADES SHOWN ARE FINAL SURFACE GRADES AFTER COMPLETION OF SURFACE IMPROVEMENTS AND PLACEMENT OF TOPSOIL.
  - GRADE AREAS AT SITE PERIMETER TO MATCH GRADES OF ADJACENT PARCELS.
  - REMOVE EXCESS SOIL FROM SITE AND DISPOSE OF PROPERLY IN ACCORDANCE WITH APPLICABLE REGULATIONS.
  - PROVIDE TEMPORARY GRADING FEATURES SUCH AS BERMS, SWALES, SUMPS AND BASINS TO MANAGE INTERIM STORM WATER RUNOFF DURING CONSTRUCTION PROCESS. STORM WATER RUNOFF LEAVING THE SITE SHALL MEET ALL FEDERAL, STATE AND LOCAL QUALITY REQUIREMENTS.
  - ALL DISTURBED AREAS TO BE RE-SEEDDED PER LANDSCAPE PLAN PROVIDED BY OTHERS.
  - REFER TO GEOTECHNICAL ENGINEERING SERVICES REPORT *PRELIMINARY GEOTECHNICAL ENGINEERING REPORT* BY TERRACON CONSULTANTS, INC. DATED FEBRUARY 4, 2021.

**LEGEND**

GRADING LIMITS	---
MAJOR CONTOUR	— 4985 —
MINOR CONTOUR	- - - 4985 - - -
EXISTING MAJOR CONTOUR	— 4985 —
EXISTING MINOR CONTOUR	- - - 4985 - - -
SLOPE ARROW	-1.5% -57.2%
SWALE	~ ~ ~
HIGH POINT	▲
MATCHLINE	...
FUTURE DEVELOPMENT	▨

- SPOT ELEVATION SYMBOLS**
- ALL SPOT ELEVATIONS ARE AT FLOWLINE UNLESS OTHERWISE NOTED IN THE PLANS.
- 20.00 FLOWLINE
  - 20.00± MATCH EX. GRADE ELEV. (APPROXIMATE)
  - BW 20.00 BOTTOM WALL
  - TW 20.00 TOP WALL
  - SW 20.00 SIDEWALK
  - FG 20.00 FINISHED GROUND
  - BS 20.00 BOTTOM STEP
  - TS 20.00 TOP STEP
  - TA 20.00 TOP ASPHALT
  - GRATE 20.00 TOP OF GRATE



DESIGNED: BE DRAWN: BE CHECKED: JS DATE: 7.06.2021	REVISION 1. 7/6/2021	PROJECT NAME: <b>CARLISLE CROSSING</b>
STAMP 		SHEET TITLE: <b>GRADING PLAN 2</b>
SUBMITTED FOR: <b>CONSTRUCTION</b>		SHEET NUMBER: <b>C-102</b>

NAME: N:\Projects\03738 Module Carlisle Marketplace3\_DWG\Sheets\03738 Grading2.dwg PLOT DATE: Jul 06, 2021 11:42am