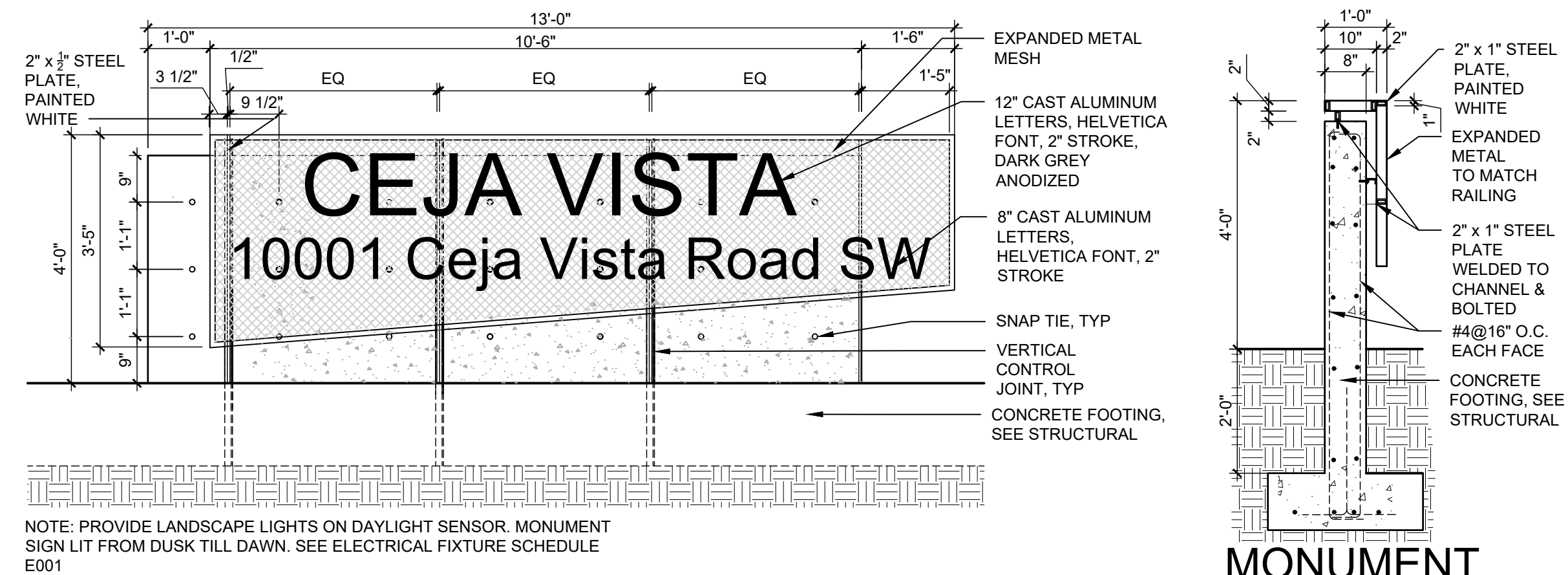
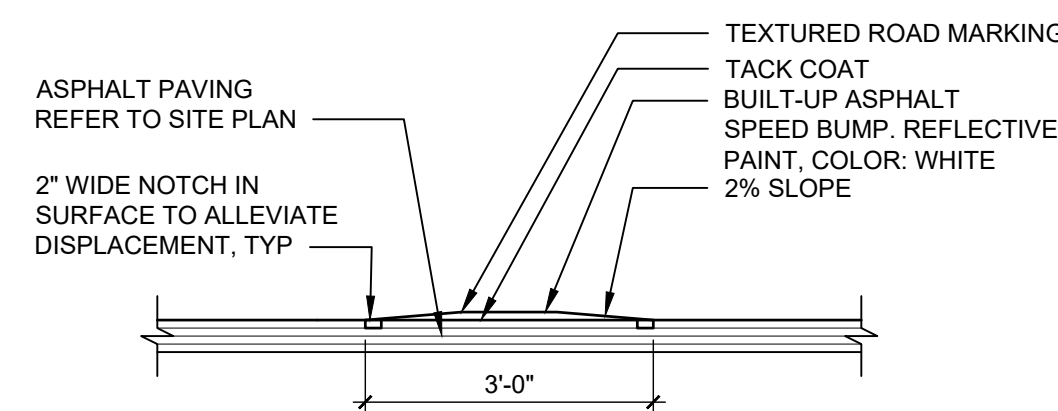
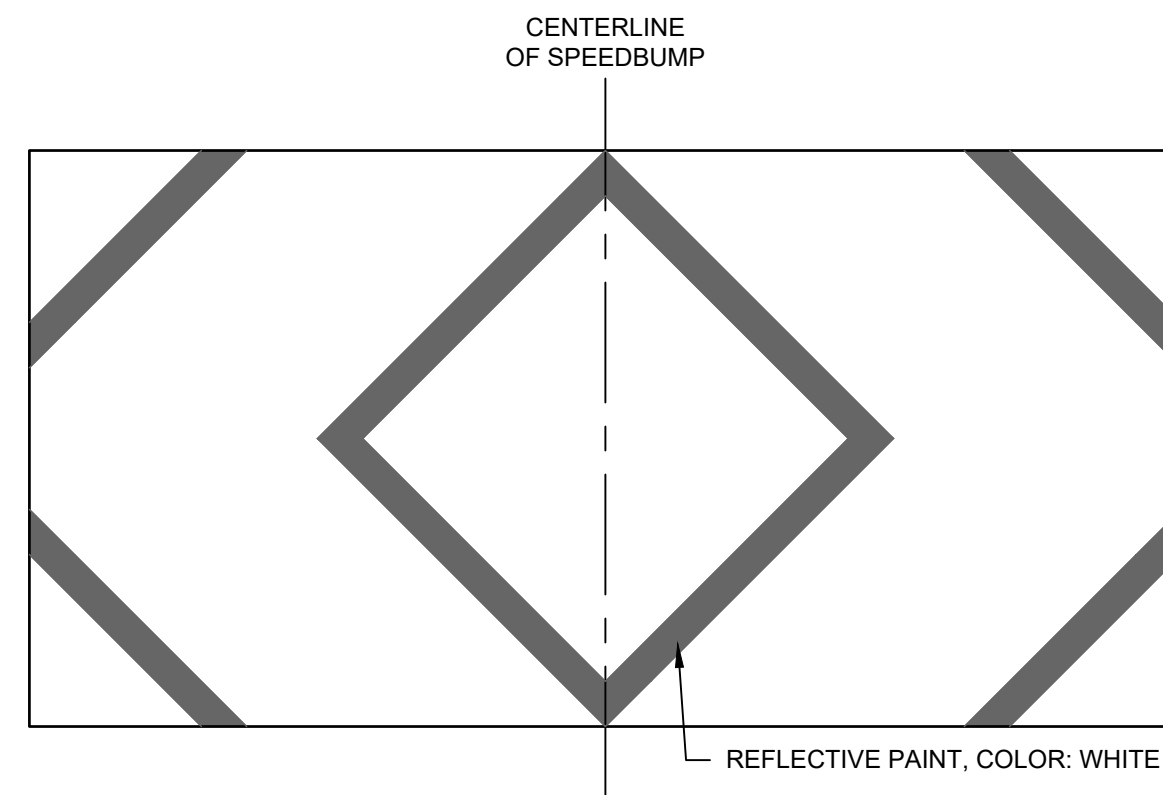


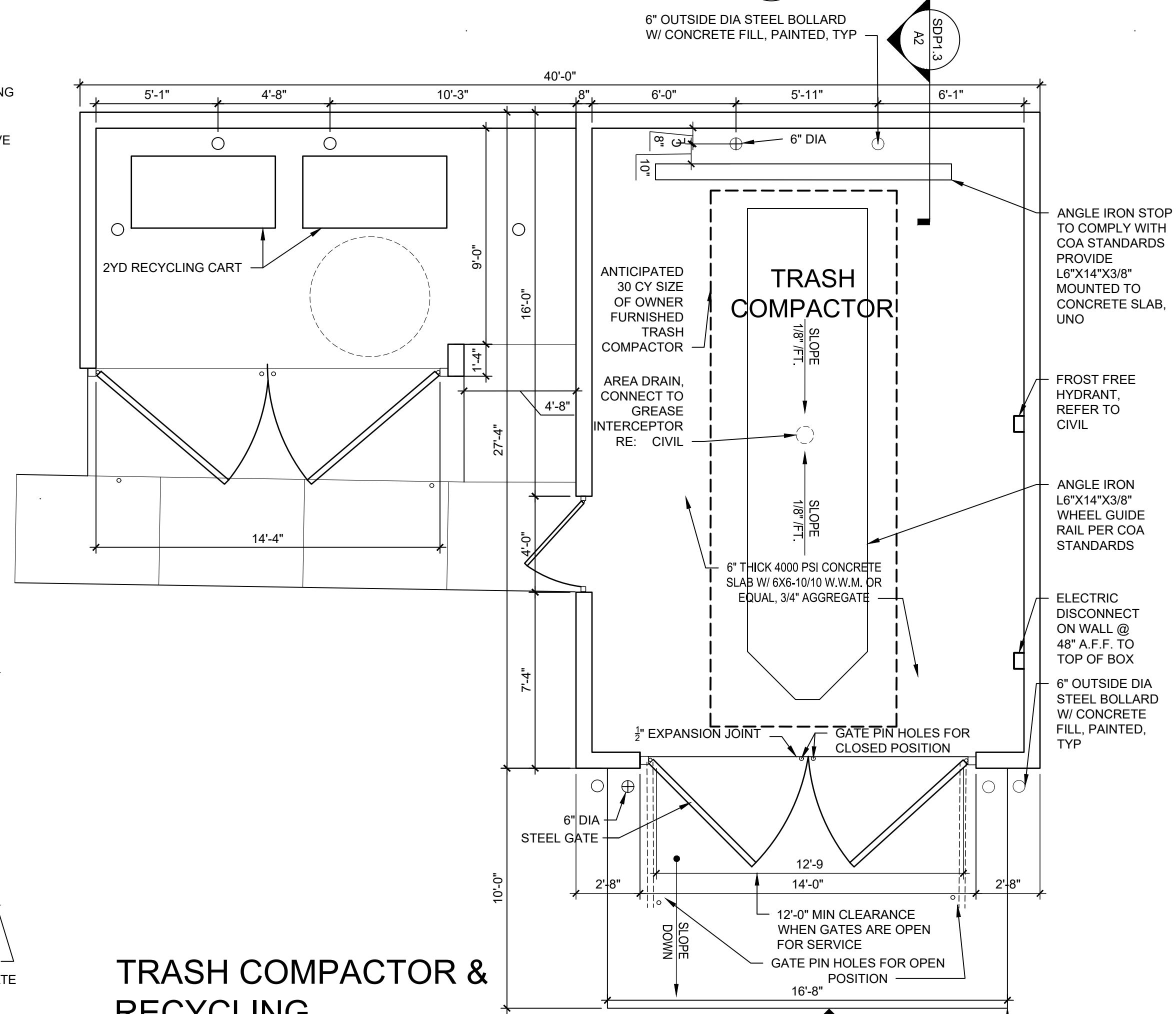
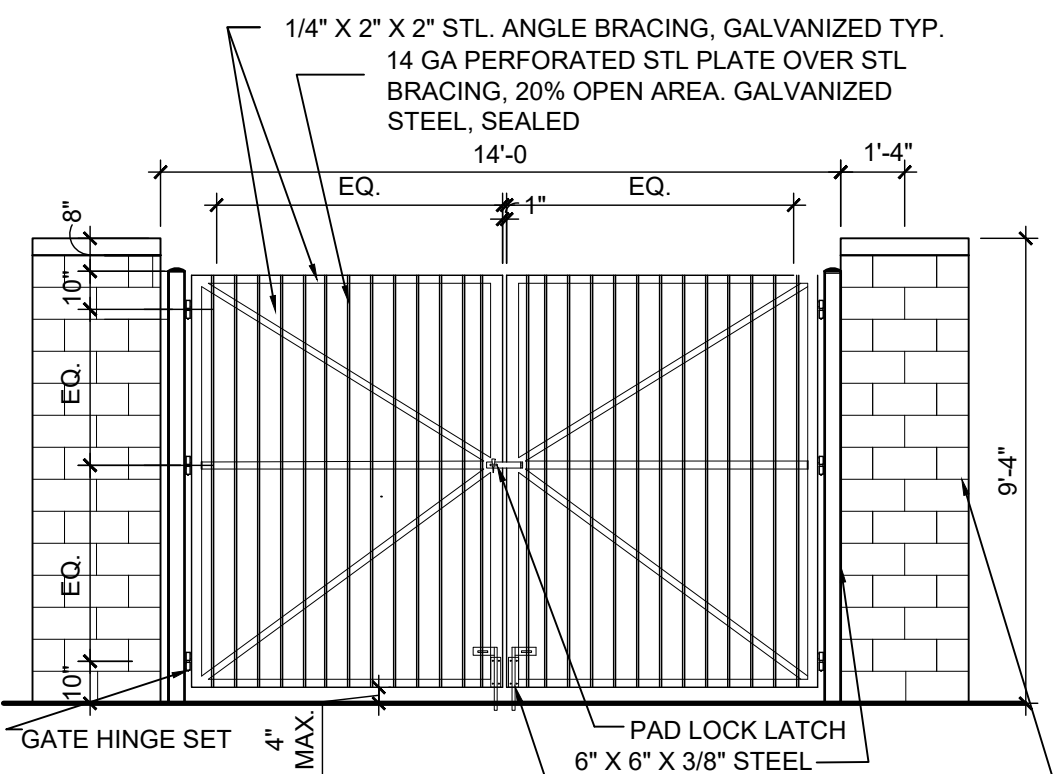
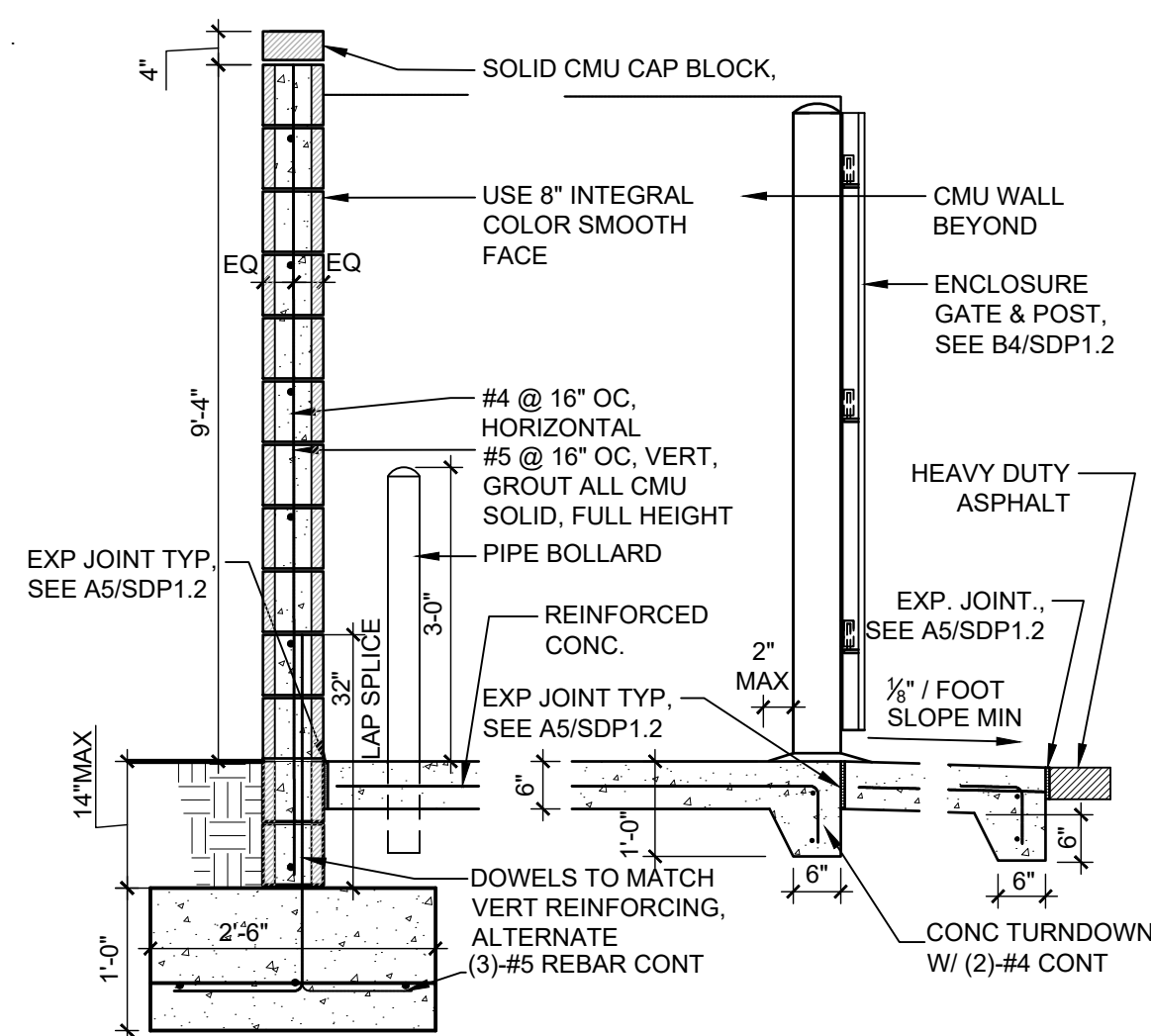
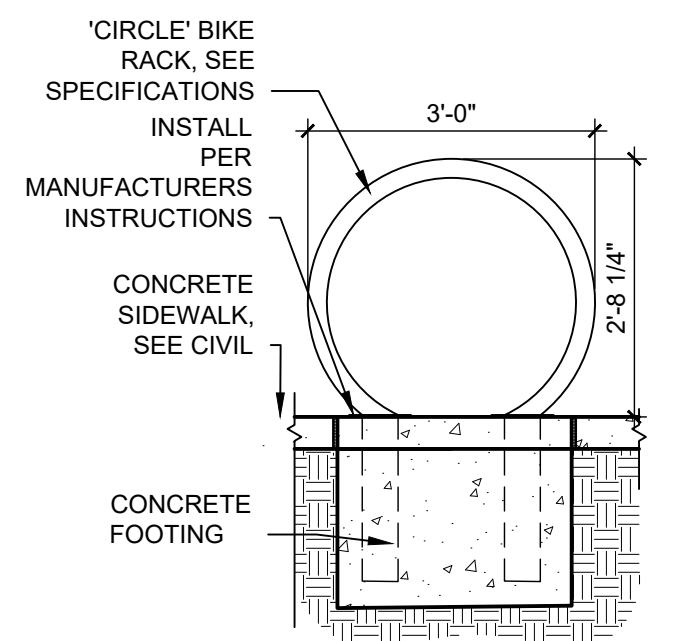
CEJA VISTA
 10001 CEJA VISTA ROAD SW
 ALBUQUERQUE, NEW MEXICO 87121



NOTE: PROVIDE LANDSCAPE LIGHTS ON DAYLIGHT SENSOR. MONUMENT SIGN LIT FROM DUSK TILL DAWN. SEE ELECTRICAL FIXTURE SCHEDULE E001



- NOTES:
1. APPLY A SEAL OF LIQUID ASPHALT TO THE ADJOINING EDGE OF THE INSTALLATION TO HELP PREVENT MOISTURE PENETRATION.
 2. APPLY TWO COATS OF PAINT.
 3. REFER TO STRIPPING DETAIL B2/SDP1.3.



REVISIONS

△	
△	
△	
△	

DRAWN BY	AG
REVIEWED BY	RAW, JM
DATE	05/16/2019
PROJECT NO.	19-0019
DRAWING NAME	

**SITE
DETAILS**

SHEET NO.
SDP1.3
OF