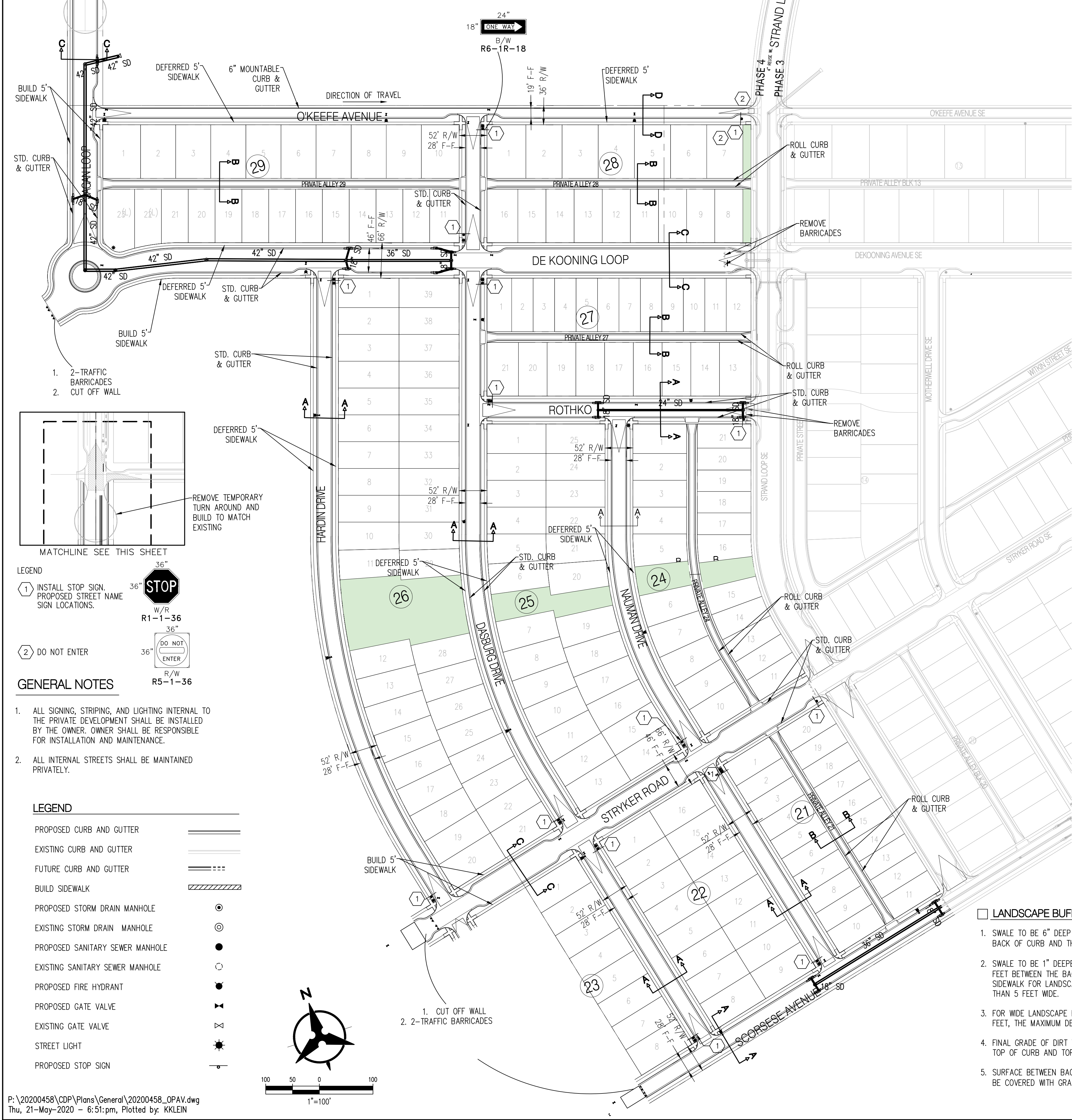


MATCHLINE SEE THIS SHEET



LEGEND

1. INSTALL STOP SIGN. PROPOSED STREET NAME SIGN LOCATIONS.

2. DO NOT ENTER

GENERAL NOTES

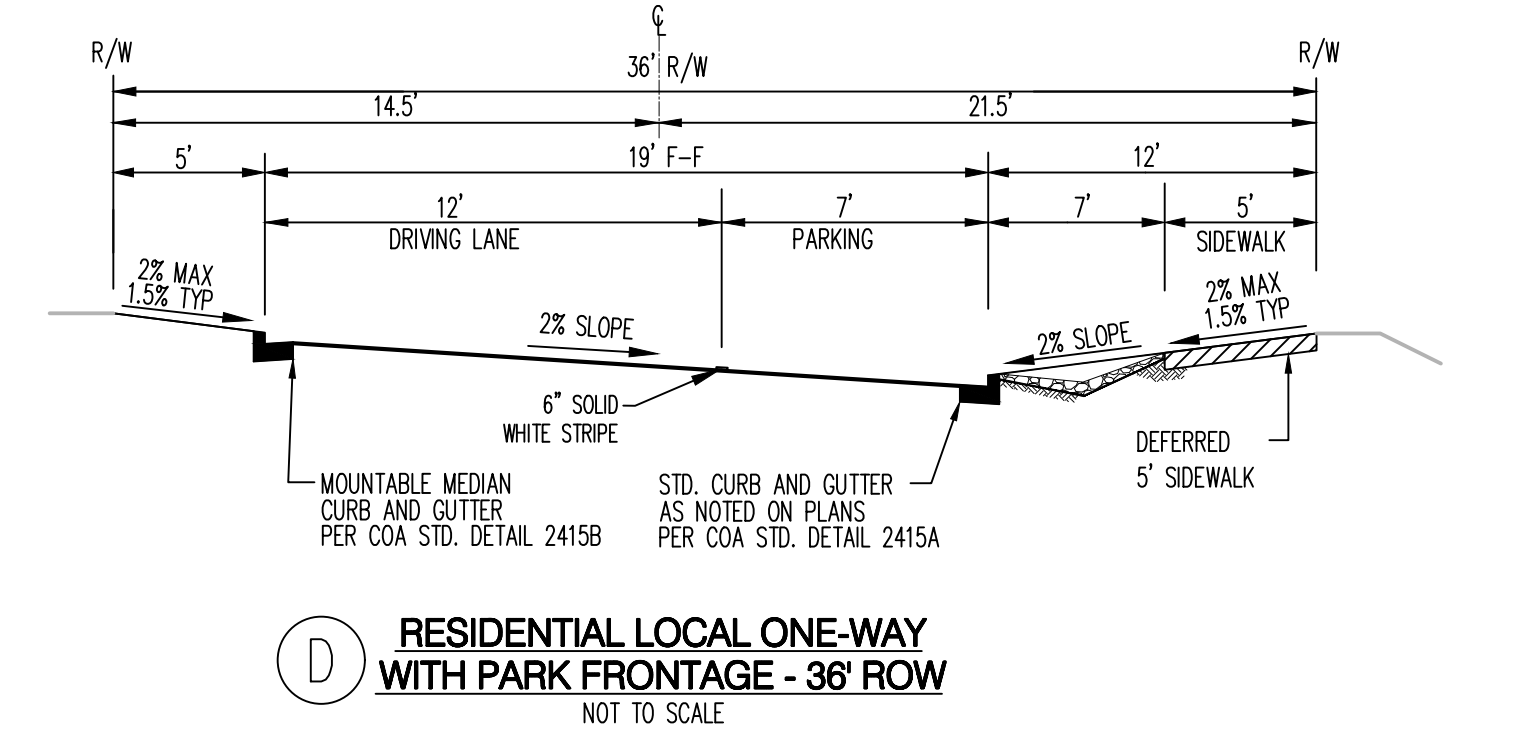
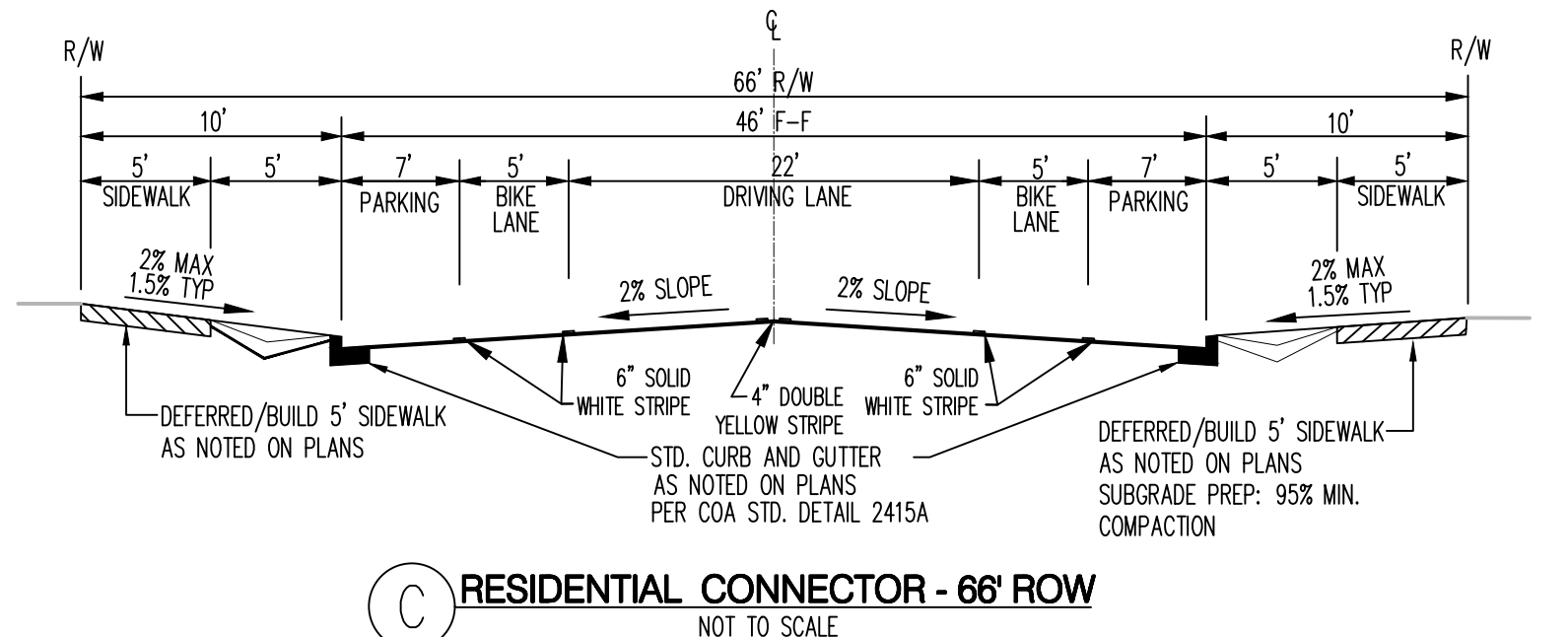
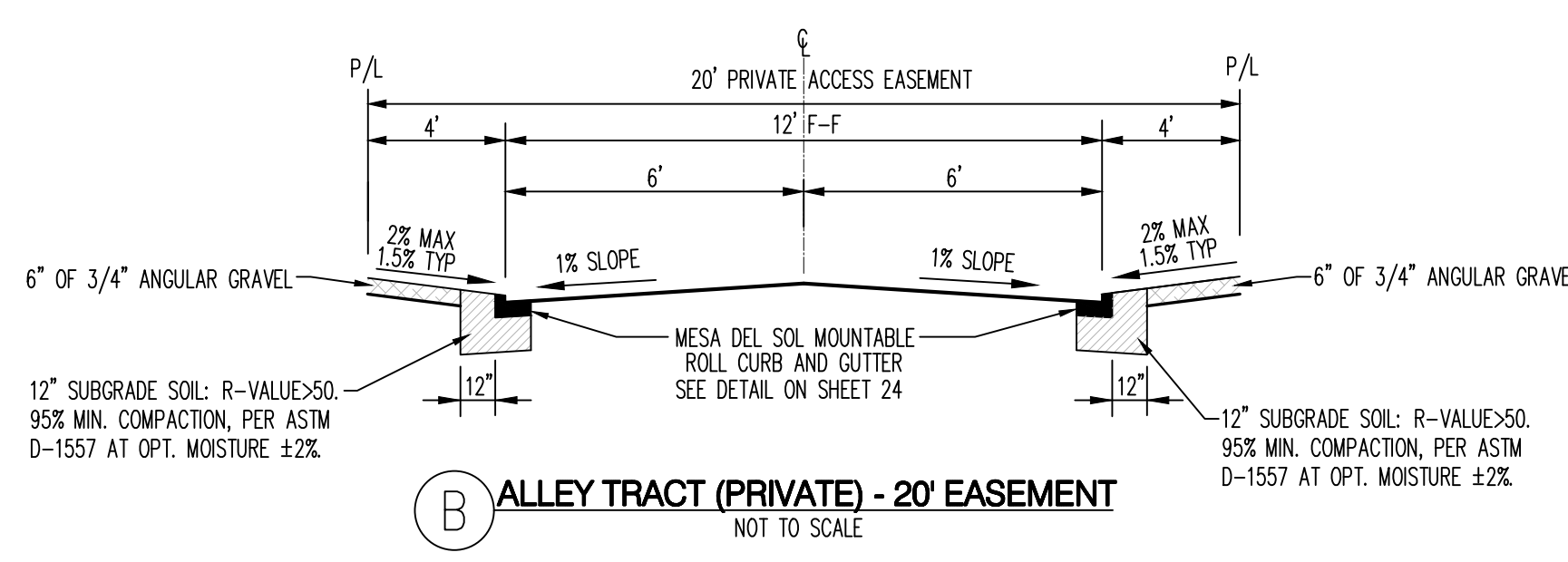
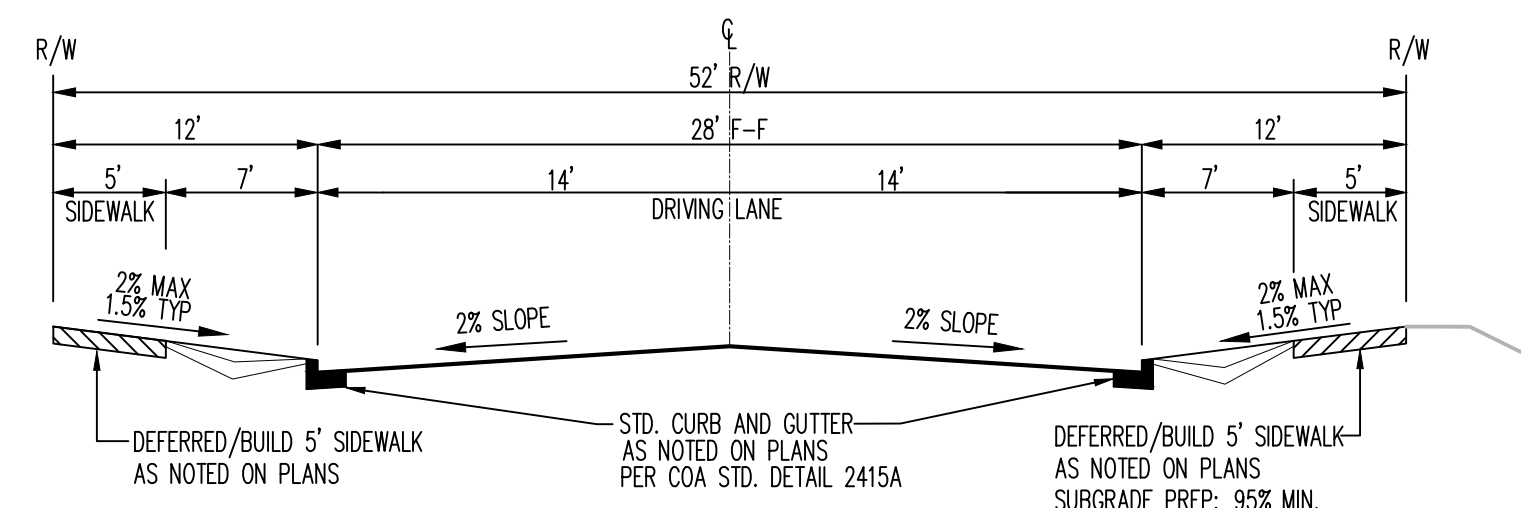
1. ALL SIGNING, STRIPING, AND LIGHTING INTERNAL TO THE PRIVATE DEVELOPMENT SHALL BE INSTALLED BY THE OWNER. OWNER SHALL BE RESPONSIBLE FOR INSTALLATION AND MAINTENANCE.

2. ALL INTERNAL STREETS SHALL BE MAINTAINED PRIVATELY.

LEGEND

- PROPOSED CURB AND GUTTER
- EXISTING CURB AND GUTTER
- FUTURE CURB AND GUTTER
- BUILD SIDEWALK
- PROPOSED STORM DRAIN MANHOLE
- EXISTING STORM DRAIN MANHOLE
- PROPOSED SANITARY SEWER MANHOLE
- EXISTING SANITARY SEWER MANHOLE
- PROPOSED FIRE HYDRANT
- PROPOSED GATE VALVE
- EXISTING GATE VALVE
- STREET LIGHT
- PROPOSED STOP SIGN

P:\20200458\CDP\Plans\General\20200458_OP&V.dwg
Thu, 21-May-2020 - 6:51:pm, Plotted by: KKLIN



- LANDSCAPE BUFFER SWALE NOTES**
- SWALE TO BE 6" DEEP WHEN THE DISTANCE BETWEEN BACK OF CURB AND THE SIDEWALK IS 5 FEET.
 - SWALE TO BE 1" DEEPER THAN THE DISTANCE IN FEET BETWEEN THE BACK OF CURB AND THE SIDEWALK FOR LANDSCAPE BUFFERS IS DIFFERENT THAN 5 FEET WIDE.
 - FOR WIDE LANDSCAPE BUFFERS, GREATER THAN 10 FEET, THE MAXIMUM DEPTH IS 10 INCHES.
 - FINAL GRADE OF DIRT TO BE 1 TO 2 INCHES BELOW TOP OF CURB AND TOP OF SIDEWALK GRADE.
 - SURFACE BETWEEN BACK OF CURB AND SIDEWALK TO BE COVERED WITH GRAVEL MULCH (MINIMUM 3/4").
 - COBBLES OR RIP-RAP. DO NOT FILL ENTIRE SWALE.
 - A CHECK DAM WILL BE REQUIRED FOR SWALES ON STEEPER LONGITUDINAL SLOPES AND LONGER SECTIONS. THE ENGINEER WILL DETERMINE THE LOCATION.
 - LANDSCAPE FABRIC IS RECOMMENDED, BUT NOT REQUIRED, BETWEEN THE DIRT AND THE STONE. IF LANDSCAPE FABRIC IS TO BE USED IT IS TO BE PERMEABLE.
 - DETAIL IS TO BE BUILT FOR ALL NEW CONSTRUCTION. IN THE CASE WHERE THE SIDEWALK IS EXISTING AND THE LANDSCAPE BUFFER IS IMPROVED WITH LANDSCAPING AND/OR SOME FORM OF EROSION PROTECTION, THIS REQUIREMENT DOES NOT APPLY.

Bohannon & Huston
www.bhinc.com 800.877.5332

**CITY OF ALBUQUERQUE
DEPARTMENT OF MUNICIPAL DEVELOPMENT**

**MONTAGE UNIT 4
OVERALL PAVING PLAN**

DESIGN REVIEW COMMITTEE: CITY ENGINEER APPROVAL

CITY PROJECT NO. PR-2020-003422 ZONE MAP NO. R-15,16,S-16 SHEET 5 OF XX

CONTRACTOR: DATE: WORK BY: DATE: INSPECTOR'S ACCEPTANCE BY: DATE: VERIFICATION BY: DATE: DRAWINGS CORRECTED BY: DATE: MICRO-FILM INFORMATION: RECORDED BY: DATE:

REVISIONS: NO. | DATE | BY | DESIGN

DESIGNED BY: KMK DATE: 03/2020
DRAWN BY: RV DATE: 03/2020
CHECKED BY: KMK DATE: 03/2020