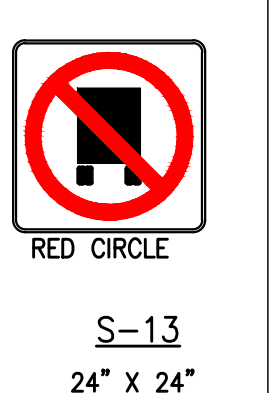
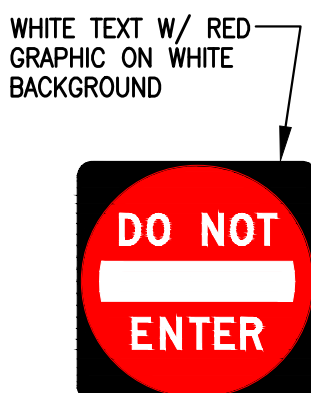
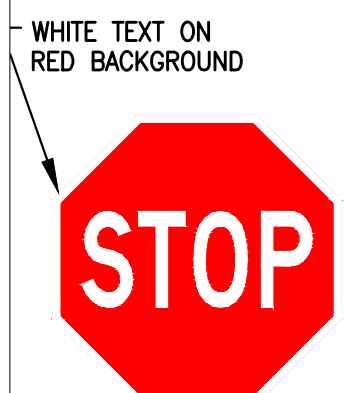
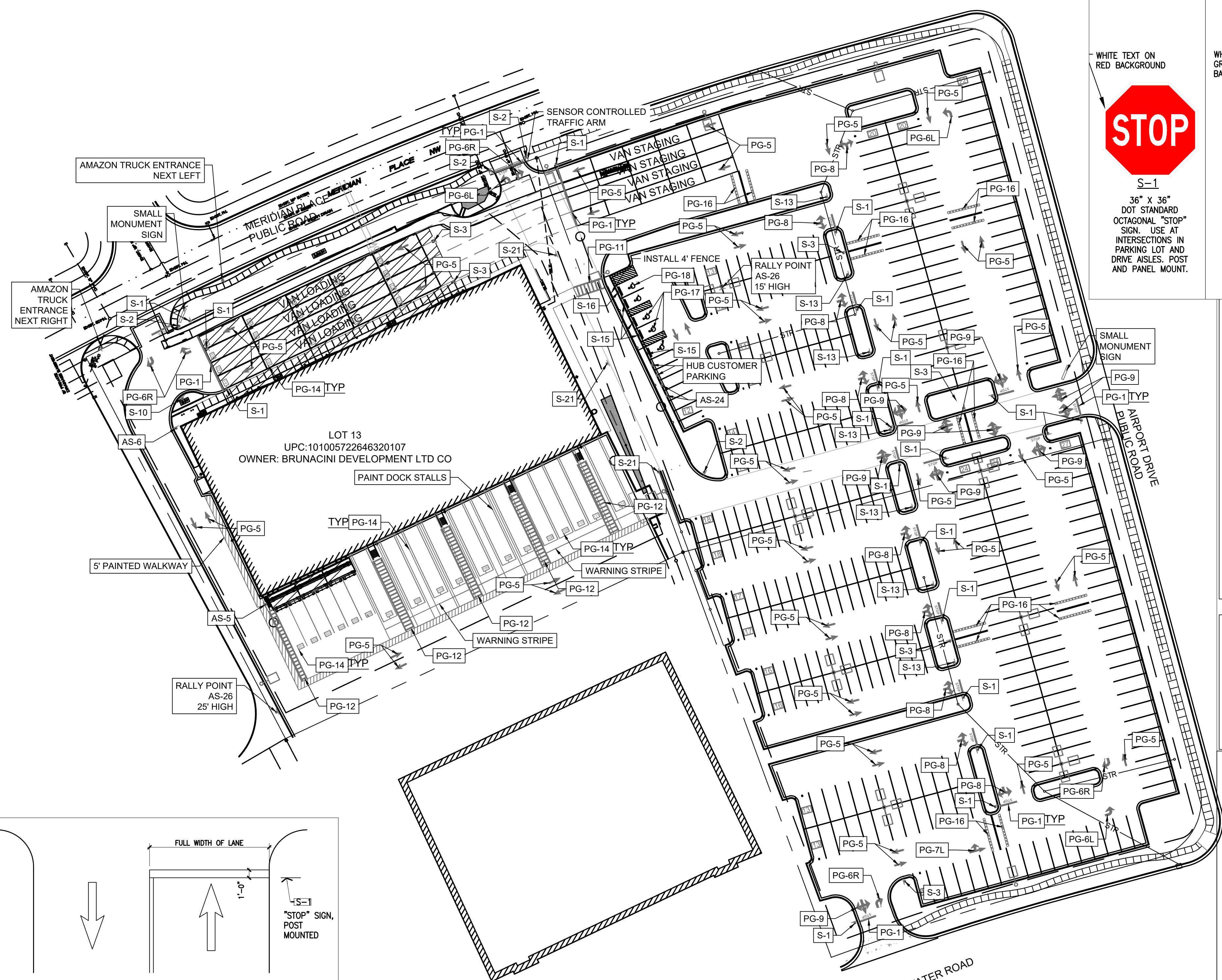


NOTE:
McClure Engineering Company waives any and all responsibility and liability for problems which arise from failure to follow these Plans, Specifications, and the engineering intent they convey, or for problems which arise from failure to obtain and/or follow the engineers guidance with respect to any errors, omissions, inconsistencies, ambiguities, or conflicts which are alleged.



VINYL GRAPHICS GENERAL NOTES

DOOR SIGNS:
SEE DOOR SIGN PLACEMENT DETAIL ON THIS SHEET FOR MOUNTING HEIGHTS.
DESCRIPTION:
CUSTOM CUT VINYL GRAPHICS, ATTACHED TO FIRST SURFACE OF EXTERIOR GLASS.
GRAPHICS AND TYPOGRAPHY:
SIGN GRAPHICS ARE HEAVY DUTY 3M VINYL. LOGO IS A HIGH RESOLUTION DIGITAL PRINT ON PERMANENT ADHESIVE PRESSURE SENSITIVE VINYL SUBSTRATE WITH LUSTER OVER LAMINATE, CUT TO SHAPE FROM VECTOR FILE. COPY IS MATTE WHITE VINYL.
INSTALLATION:
LOCATIONS ARE GENERALLY NOTED ON THE ATTACHED LOCATION PLANS. THE CONTRACTOR IS RESPONSIBLE FOR FIELD VERIFYING ALL INSTALLATION CONDITIONS PRIOR TO FABRICATION. THE INSTALLATION METHODS AND DETAILS FOR EACH LOCATION SHALL BE ILLUSTRATED IN THE SUBMITTED SHOP DRAWINGS. FINAL LOCATION WILL BE APPROVED ON SITE BY THE TENANT REPRESENTATIVE.
SUBMITTALS:
THE FOLLOWING SHALL BE SUBMITTED FOR APPROVAL PRIOR TO FABRICATION - (3) SETS OF SHOP DRAWINGS AND (3) 6" X 6" VINYL SAMPLES OF EACH SIGN FACE COLOR. SEE GENERAL CONSTRUCTION AND INSTALLATION SPECIFICATIONS FOR ADDITIONAL SUBMITTALS.

PAVEMENT GRAPHIC NOTES:

- TWO COAT APPLICATION REQUIRED FOR ALL PAVEMENT GRAPHICS. REFER TO CIVIL FOR PAINTED GRAPHIC ARROWS AND ADDITIONAL PAVEMENT GRAPHIC CRITERIA.
- SEE SITE DETAILS FOR MORE PAVEMENT GRAPHICS AT TRAILER PARKING

GRAPHICS / PAVEMENT PAINT

1/PP1	WHITE	
2/PP2	RED	(PANTONE 485C)
3/PP3	BLUE	(PANTONE 294)
4/PP4	GREEN	(PANTONE 342)
5/PP5	YELLOW	(PANTONE 116)

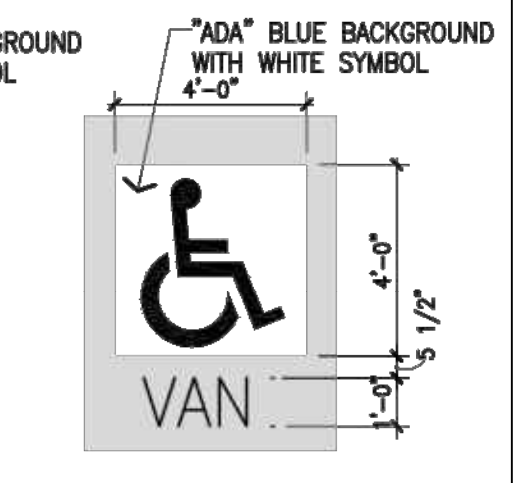
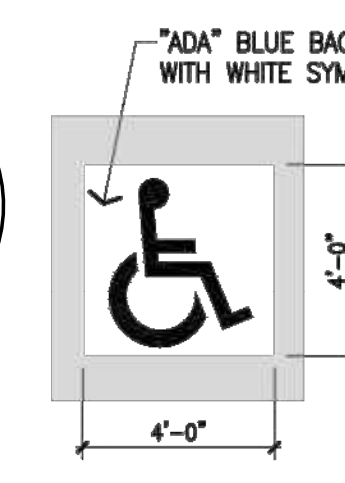
NOTE: TWO COAT APPLICATION REQUIRED FOR ALL PAVEMENT GRAPHICS.

CUSTOM SIGNAGE COLORS

	Gloss Vinyl	Reflective Vinyl	Paint
C1 White	Scotchcal White 230-20	Scotchcal 288 White 288-40	Gloss White Two part catalyzed hardened acrylic enamel
C2 Black	Scotchcal Black 230-22 (Pantone Black C)	Scotchcal Black 288-48	
C3 Yellow	Oracal OPAQUE 600 GOLDEN YELLOW TRANSLUCENT 615 YELLOW ORANGE (Color to match Amazon branding guidelines. Amazon orange- Pantone 137 U, Pantone 1375 C)		
C4 Gray	Scotchcal Medium Gray 230-31		Satin Finish Two part catalyzed hardened acrylic enamel
C5 Red	Scotchcal Red 230-33 (Pantone 485C2)	Scotchcal Red 285-72	
C6 Blue	Scotchcal Blue Cobalt Blue 230-35 (Pantone 285C)	Scotchcal Blue 230-75	

SIGNAGE GENERAL NOTES

- FINAL QUANTITIES SHALL BE COORDINATED AND VERIFIED IN FIELD.
- ADDITIONAL SIGNAGE NOT SHOWN ON GRAPHICS PLAN MAY BE REQUIRED PER LOCAL CODE AND/OR A.H.J. SUB-CONTRACTOR SHALL COORDINATE WITH LOCAL A.H.J. AND PROVIDE AS REQUIRED.
- MOUNT SIGNAGE ACCORDING TO LOCAL CODES.
- ALL PERMANENT SIGNAGE TO ACCESSIBLE AREAS TO HAVE RAISED BRAILLE CHARACTERS PER ANSI 117.1-2009
- TYPICAL SIGN FONT IS SET IN ARIAL.
- SEE DOOR SCHEDULE FOR DOOR SIGNAGE REQUIRED TEXT.
- NOT ALL SIGNAGE SHOWN IS REQUIRED. COORDINATE W/ CONSTRUCTION MANAGER AT SCHEDULED SITE WALK FOR FINAL DETERMINATION.

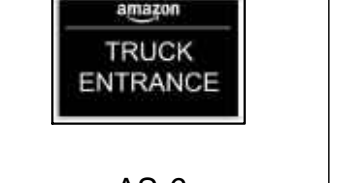


PG-17
4'-0" x 4'-0"
PAVEMENT GRAPHICS - STANDARD ACCESSIBLE PARKING SPACE. USE AR ALL ACCESSIBLE PARKING SPACES. GRAPHICS: WHITE GRAPHIC. WHITE SYMBOL WITH BLUE BACKGROUND (BLACK INDICATES ASPHALT).

PG-18
4'-0" x 5'-5 1/2"
PAVEMENT GRAPHICS - VAN ACCESSIBLE PARKING SPACE. USE AT ALL VAN ACCESSIBLE PARKING SPACES. GRAPHICS: WHITE SYMBOL WITH BLUE BACKGROUND, AND WHITE TEXT (BLACK INDICATES ASPHALT).



AS-5
48" x 60"
AMAZON SIGNAGE-YARD RULES POST (X2) AND PANEL MOUNT WHITE TEXT (ARIAL) ON BLACK BACKGROUND



AS-6
36" x 24"
AMAZON SIGNAGE-TRUCK ENTRANCE USED TO DEMARCATR TRUCK ENTRANCE POST (X2) AND PANEL MOUNT WHITE TEXT (ARIAL) ON BLACK BACKGROUND



AS-24
12" x 18"
AMAZON SIGNAGE - CUSTOMER PARKING ONLY PROVIDE MINIMUM 10 CUSTOMER PARKING SPACES NEAR THE MAIN ENTRY. POST AND PANEL MOUNT. ONE SIGN PER PARKING SPACE. BLACK TEXT (ARIAL NARROW) ON WHITE BACKGROUND, ORANGE AMAZON ARROW GRAPHIC.



S-21
12" x 18"
RED ON WHITE REFLECTORIZED BACKGROUND (NOTE - THIS SIGN IS SHOWN ON BOTH CIVIL AND PARTIAL SITE SIGNAGE PLANS FOR CONTINUITY ONLY. DO NOT PRICE INDEPENDENTLY)



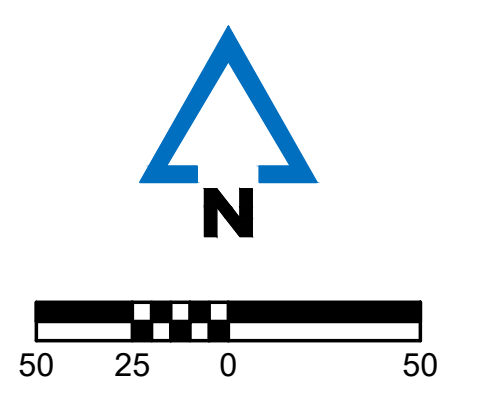
AS-26
36" x 36"
AMAZON SIGNAGE-MUSTER AREA REPLACE #W# WIHT CORESPONDING AREA NUMBER; SEE PLAN.

POLE MOUNT AT 15' ABOVE FINISHED GRADE IN CAR PARKING.

POLE MOUNT AT 25' ABOVE FINISHED GRADE IN TRAILER YARD.

WHITE GRAPHICS ON GREEN BACKGROUND

A MUSTER POINT IS A DESIGNATED PLACE OR AN AREA WHERE ALL EMPLOYEES OR A LARGE CROWD ASSEMBLE IN CASE OF AN EMERGENCY IN AN INSTALLATION, BUILDING OR PUBLIC PLACE. IT IS ALSO KNOWN AS AN EMERGENCY ASSEMBLY POINT (EAP), OR, SIMPLY, ASSEMBLY POINT.



WAQ1 SIGNAGE AND MARKING PLAN

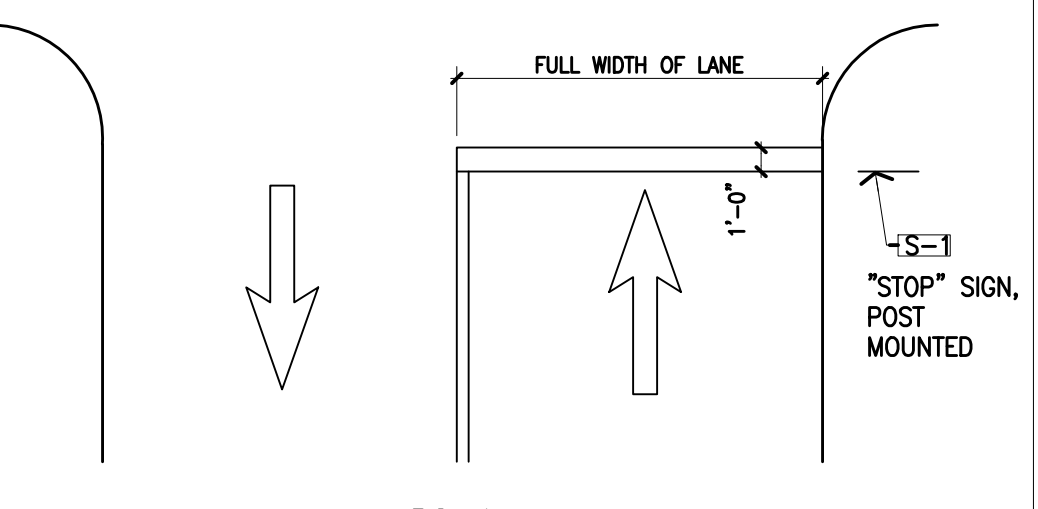
ALBUQUERQUE, NEW MEXICO
191313-000
INITIAL ISSUE DATE

REVISIONS

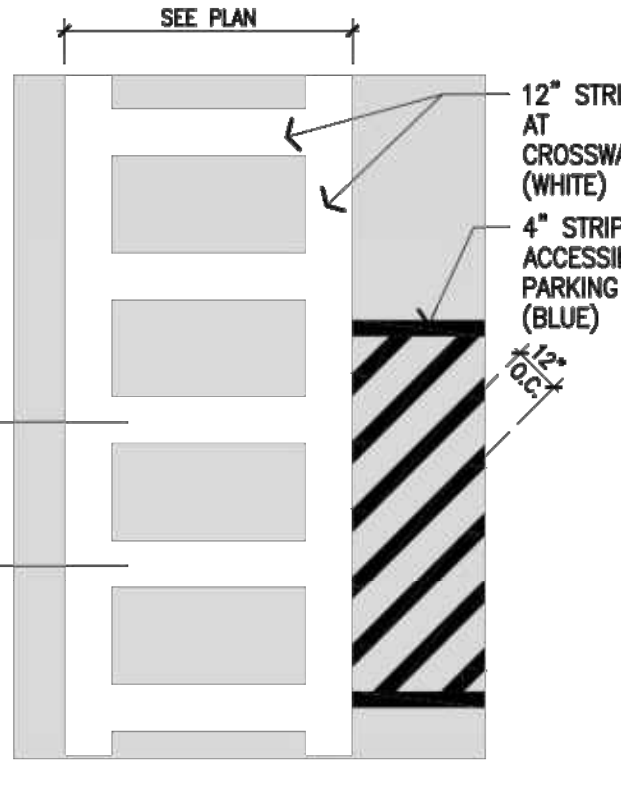
ENGINEER: MVE
CHECKED BY: CJF

DRAWN BY: ELM
SURVEYOR: FIELDBOOK

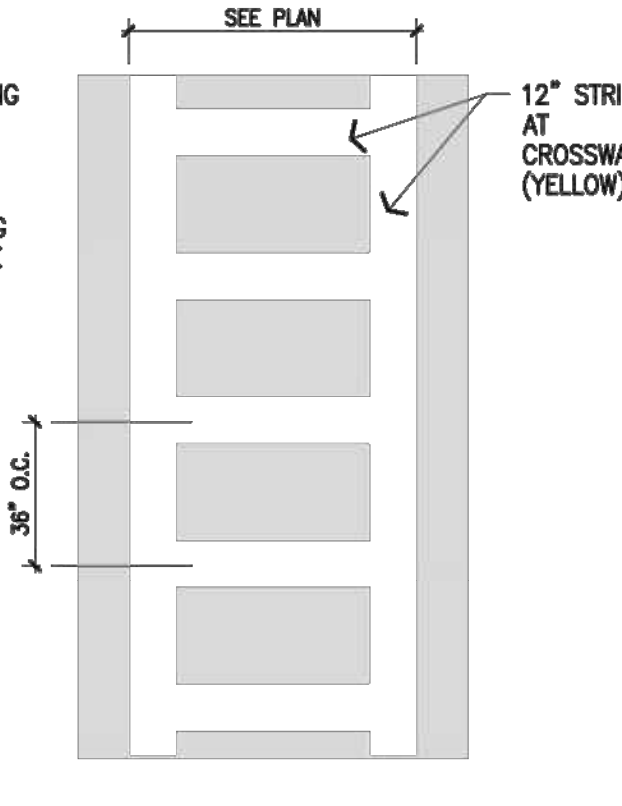
DRAWING NO: C005
SHEET NO: 7 OF 7



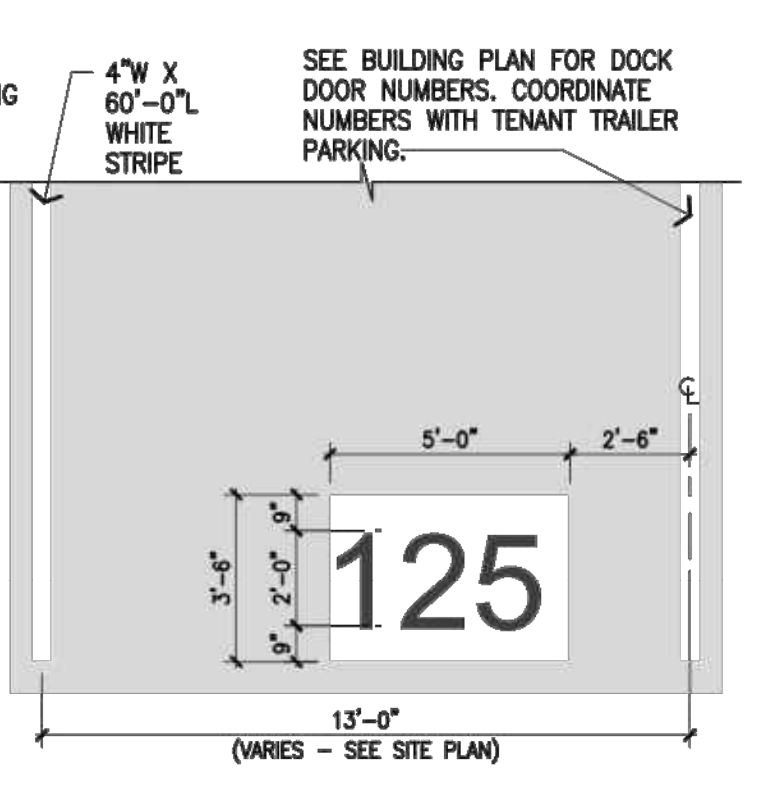
PG-1
WIDTH OF LANE X 1'-0"
WHITE STOP BAR.
USE AT ALL STOP SIGN (S-1) LOCATIONS. WHITE PAVEMENT STRIPE.



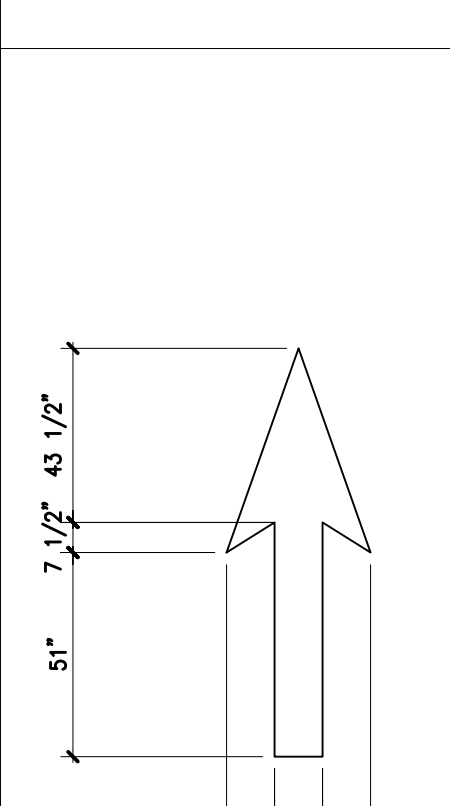
PG-11
12" STRIPING OUTLINE AND HATCH FILL AT 36" O.C.
PAVEMENT GRAPHICS - PEDESTRIAN CROSSWALK.
USE TO INDICATE PEDESTRIAN CROSSING. WHITE STRIPES, SEE PLAN FOR WIDTH OF CROSSWALK (BLACK INDICATES ASPHALT)



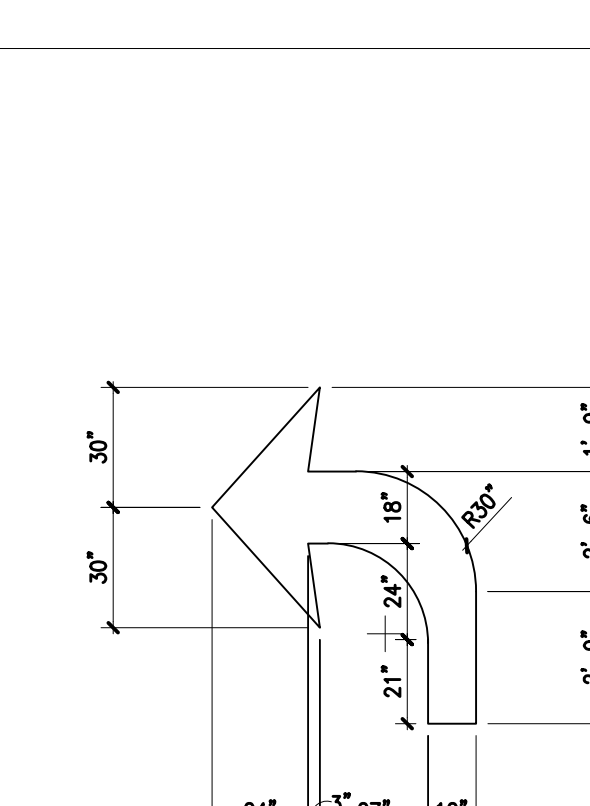
PG-12
12" STRIPING OUTLINE AND HATCH FILL AT 36" O.C.
PAVEMENT GRAPHICS - DRIVER ENTRANCE. USE TO DIRECT DRIVER ENTRANCE IN DOCK FIELD. POSITION IN TRUCK COURT TO CORRESPOND WITH THE LOCATION OF THE TRUCKERS LOUNGE AND TRUCKERS ENTRY POINTS.
YELLOW STRIPES, SEE PLAN FOR WIDTH OF CROSSWALK (BLACK INDICATES ASPHALT)



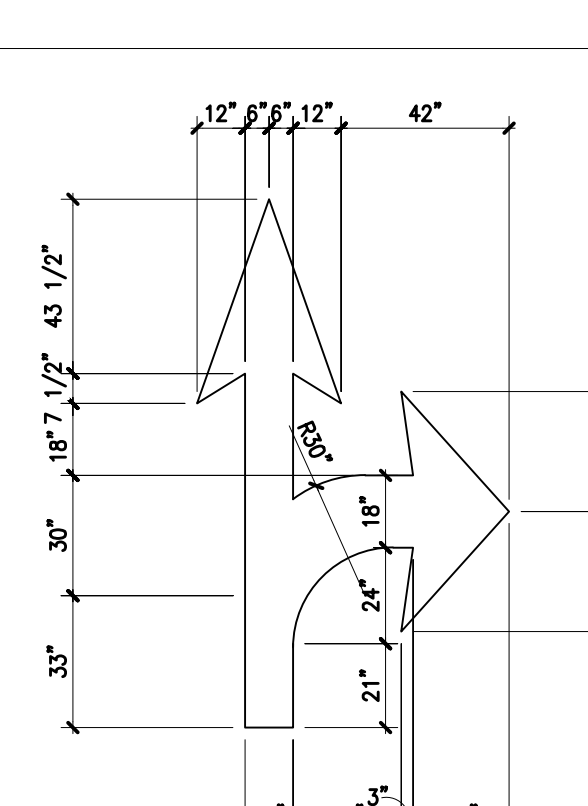
PG-14
5'-0" x 3'-6" (24" TALL LETTERING)
PAVEMENT GRAPHICS - TRAILER SPACE NUMBERING. USE TO LABEL TRAILER SPACES. TYPICAL ALL TRUCK SPACES.
WHITE GRAPHICS (BLACK INDICATES ASPHALT).
SEE PLANS FOR DOCK DOOR NUMBERS. COORDINATE NUMBERS WITH TENANT TRAILER PARKING.



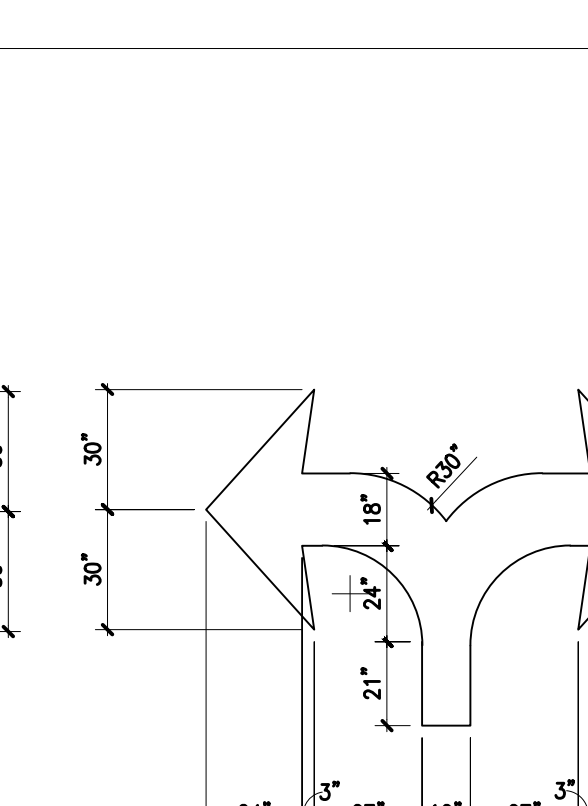
PG-5
8'-0" x 10'-0"
PAVEMENT GRAPHICS - STRAIGHT ARROW. MUSE TO DIRECT TRAFFIC AT ONE-WAY DRIVE AISLES. WHITE GRAPHIC. (BLACK INDICATES ASPHALT)



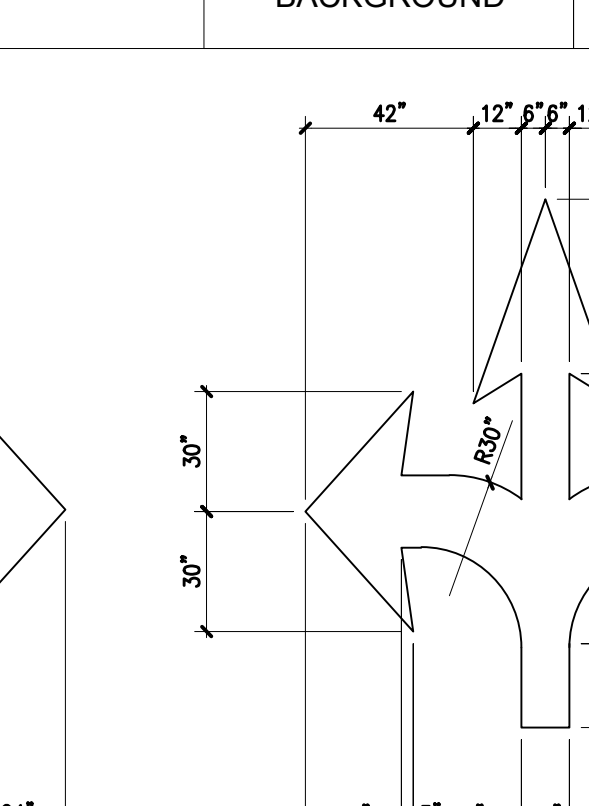
PG-6L (PG-6R OPP.)
8'-0" x 8'-0"
PAVEMENT GRAPHICS - LEFT TURN ARROW.
USE TO INDICATE TURNING LANES. WHITE GRAPHIC. (BLACK INDICATES ASPHALT)



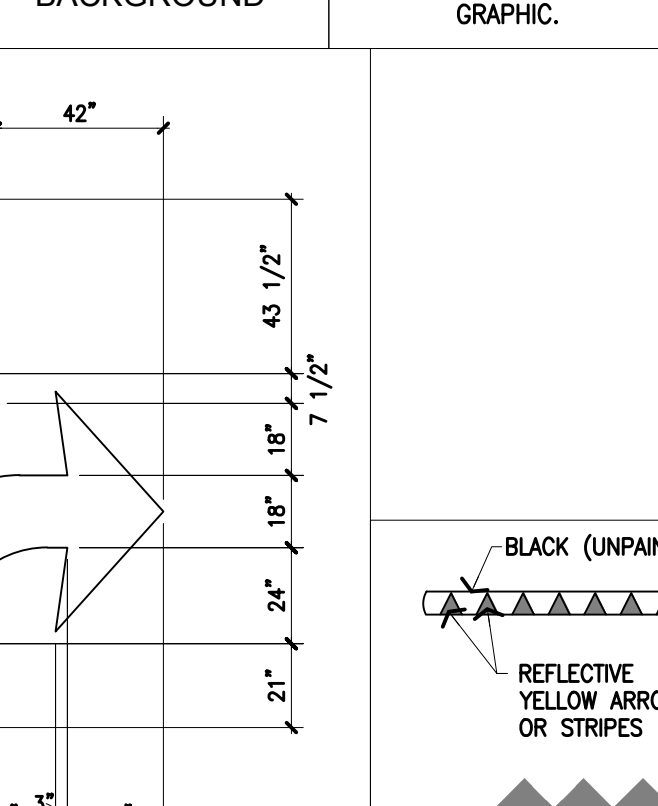
PG-7L (PG-7R OPP.)
10'-0" x 12'-0"
PAVEMENT GRAPHICS - STRAIGHT OR RIGHT TURN ARROW.
USE TO INDICATE TURNING LANES. WHITE GRAPHIC. (BLACK INDICATES ASPHALT)



PG-8
10'-0" x 8'-0"
PAVEMENT GRAPHICS - LEFT OR RIGHT TURN ARROW.
USE TO INDICATE TURNING LANES. WHITE GRAPHIC. (BLACK INDICATES ASPHALT)



PG-9
10'-0" x 12'-0"
PAVEMENT GRAPHICS - LEFT, STRAIGHT OR RIGHT TURN ARROW.
USE TO INDICATE TURNING LANES. WHITE GRAPHIC. (BLACK INDICATES ASPHALT)



PG-16
12'-0" x 1'-0"
PAVEMENT GRAPHICS - SMALL SPEED BUMP. USE TO CONTROL SPEED AT INTERIOR DRIVE REFLECTIVE YELLOW ARROWS.
REMOVABLE HEAVY-DUTY RUBBER SPEED BUMP, OR PERMANENT ASPHALT SPEED BUMP PER DEVELOPER. VARIES BASED ON REGIONAL CLIMATE, LOCATION, AND SNOW REMOVAL STRATEGY.

P:\191313-000\06-DRAWINGS\CIVIL SITE PLAN SHEETS\191313-000 MARK.DWG
 DATE: 4/17/2020 12:18 PM
 BY: MCCLURE