

**Isaacson & Arfman, Inc.**  
 Civil Engineering Consultants  
 128 Monroe Street NE  
 Albuquerque, NM 87108  
 505-266-8828 | www.iaacvil.com

© 2020 Isaacson & Arfman, Inc.  
 This design, calculations, and concepts are owned by and remain the property of Isaacson & Arfman, Inc. and no part thereof shall be utilized by any person, firm or corporation for any purpose whatsoever except with the written permission of Isaacson & Arfman, Inc.

FOR REVIEW ONLY  
NOT FOR CONSTRUCTION

**62ND STREET SUBDIVISION**  
 Albuquerque, New Mexico  
 a development of  
 Greater Albuquerque Habitat for Humanity

ENGINEER'S ISSUE:	CERTIFICATION
PROJECT NUMBER:	IA 2415
FILE:	2415 EX-101-SITE
DRAWN BY:	IMNA
CHECKED BY:	FCA
DATE:	11-03-2021

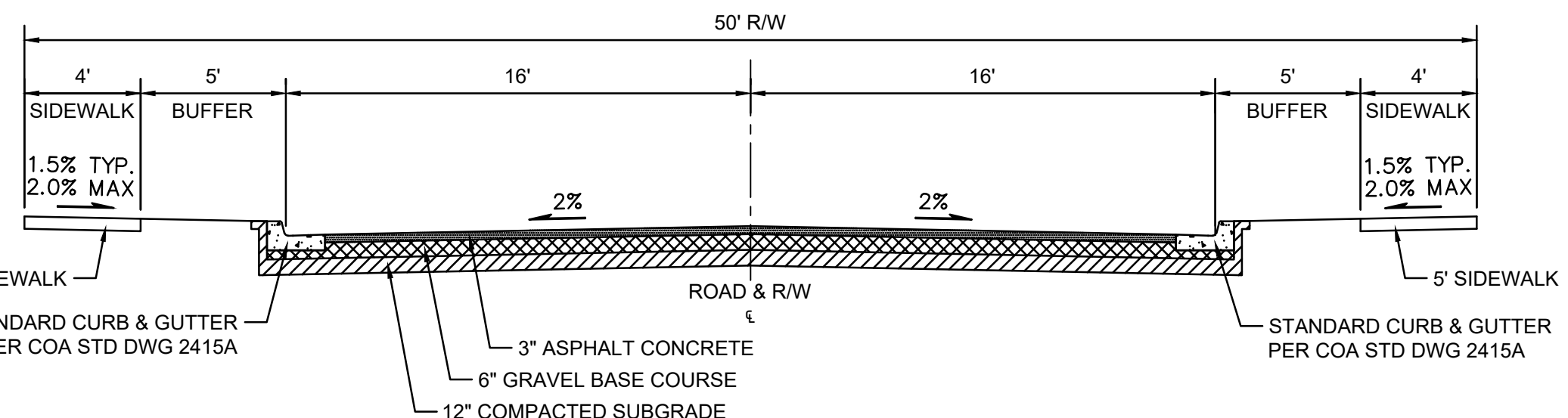
No	Date	Description

SHEET TITLE

**SITE EXHIBIT**

SHEET NUMBER

**C-100**



**TYPICAL 50-FT RIGHT-OF-WAY (32-FT F-F) SECTION**  
 SCALE: 1"=5'