

ADMINISTRATIVE AMENDMENT

FILE # _____ PROJECT # _____

APPROVED BY

DATE



SCOPE OF WORK:

ALL SIGNS TO BE REPLACED/UPDATED, EXCEPT 'CVS PHARMACY' SIGN WHICH IS TO REMAIN. TWO (2) NEW SIGNS TO BE ADDED, ONE (1) ALONG SOUTH ELEVATION, ONE (1) ALONG WEST.

PROPOSED SIGN-AGE

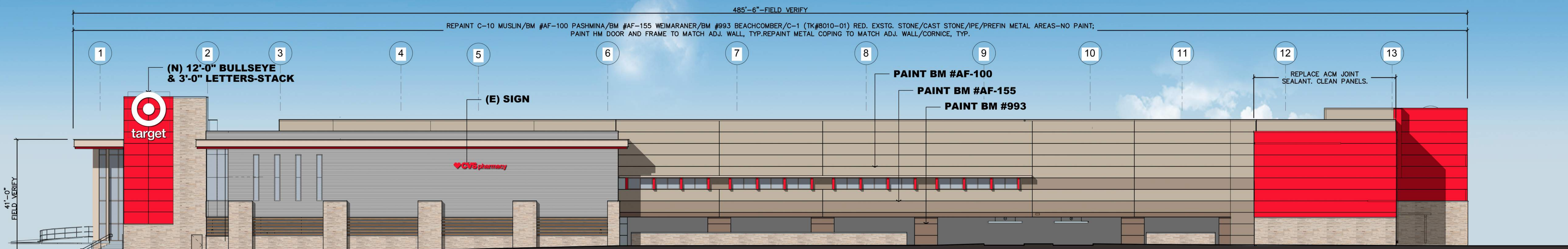
- A. WHITE BULLSEYE TO MATCH EXISTING SIZE AND LOCATION
- B. RED BULLSEYE TO MATCH EXISTING SIZE AND LOCATION
- C. WHITE BULLSEYE TO MATCH EXISTING SIZE AND LOCATION
- D. WHITE BULLSEYE TO MATCH EXISTING SIZE AND LOCATION
- E. WHITE BULLSEYE TO MATCH EXISTING SIZE AND LOCATION
- F. WHITE BULLSEYE (10') AND WHITE LETTER-STACK (2'6")
- G. WHITE BULLSEYE (12') & WHITE LETTER-STACK (3')

NOTES:

1. ALL PROPOSED FACADE COLOR CHANGES ARE WITHIN THE DESIGN SCHEME OF THE ORIGINAL SITE PLAN.
2. INTERIOR GARAGE TO BE REFURBISHED WITH EXISTING MATERIALS.
3. EXISTING SIGN SQUARE FOOTAGE TOTALS 762.9 SF, PROPOSED ADDS 331.6 SF.
4. MONUMENT SIGNS WILL BE UPDATED, COLORS TO INVERSE, NO STRUCTURAL CHANGES TO BE MADE.
5. ALL SIGNS TO REPLACE EXISTING, NO ADDITIONAL SIGNS TO BE ADDED.

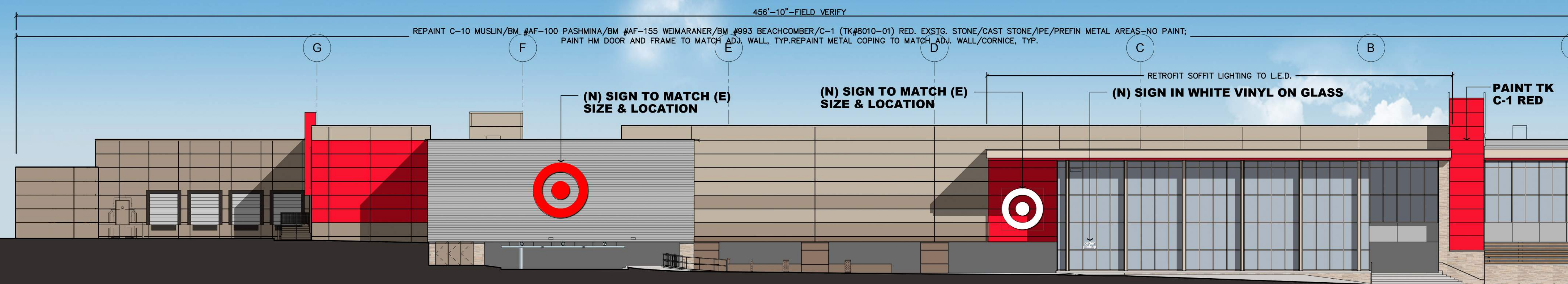
PROPOSED EXTERIOR REMODEL - SIGN AGE AND FACADE

T-2813 UPTOWN
 2120 LOUISIANA BOULEVARD
 ALBUQUERQUE, NM 87110

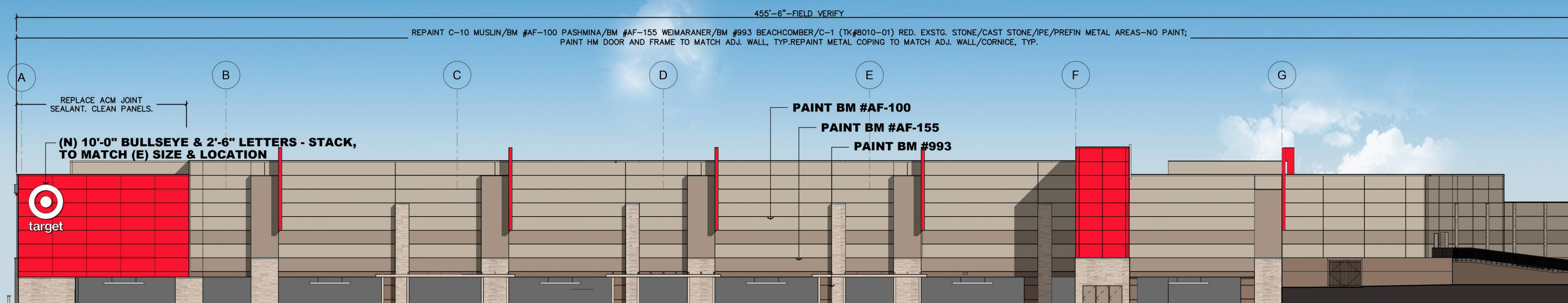


West Elevation

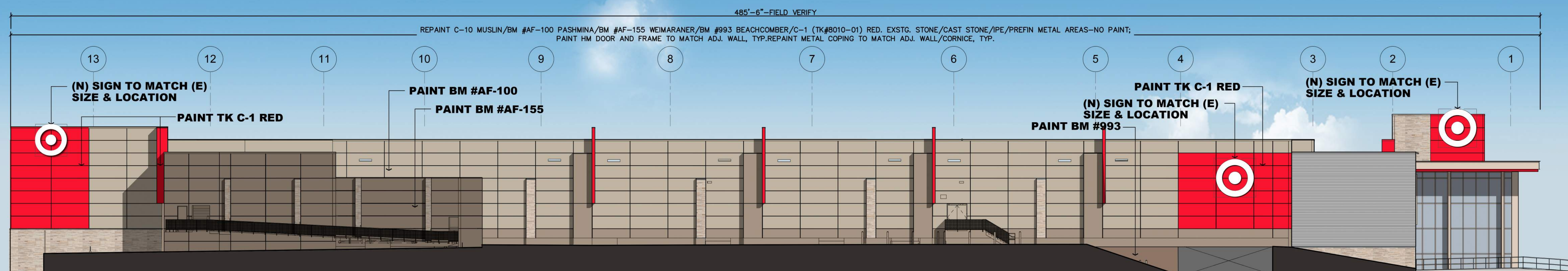
- BM #AF-100 PASHMINA
- BM #AF-155 WEIMARANER
- BM #993 BEACHCOMBER
- C-1.....RED-#TK -8010-1
- (E) SOFFIT PAINTC-1 RED



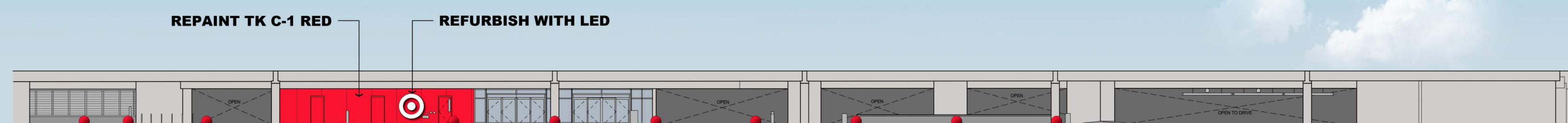
North Elevation



South Elevation



East Elevation



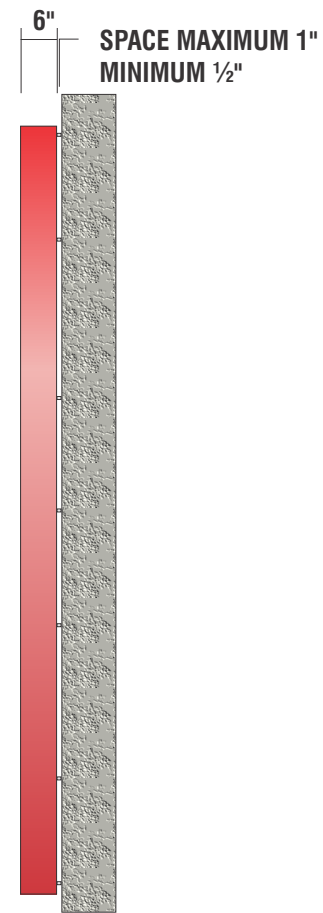
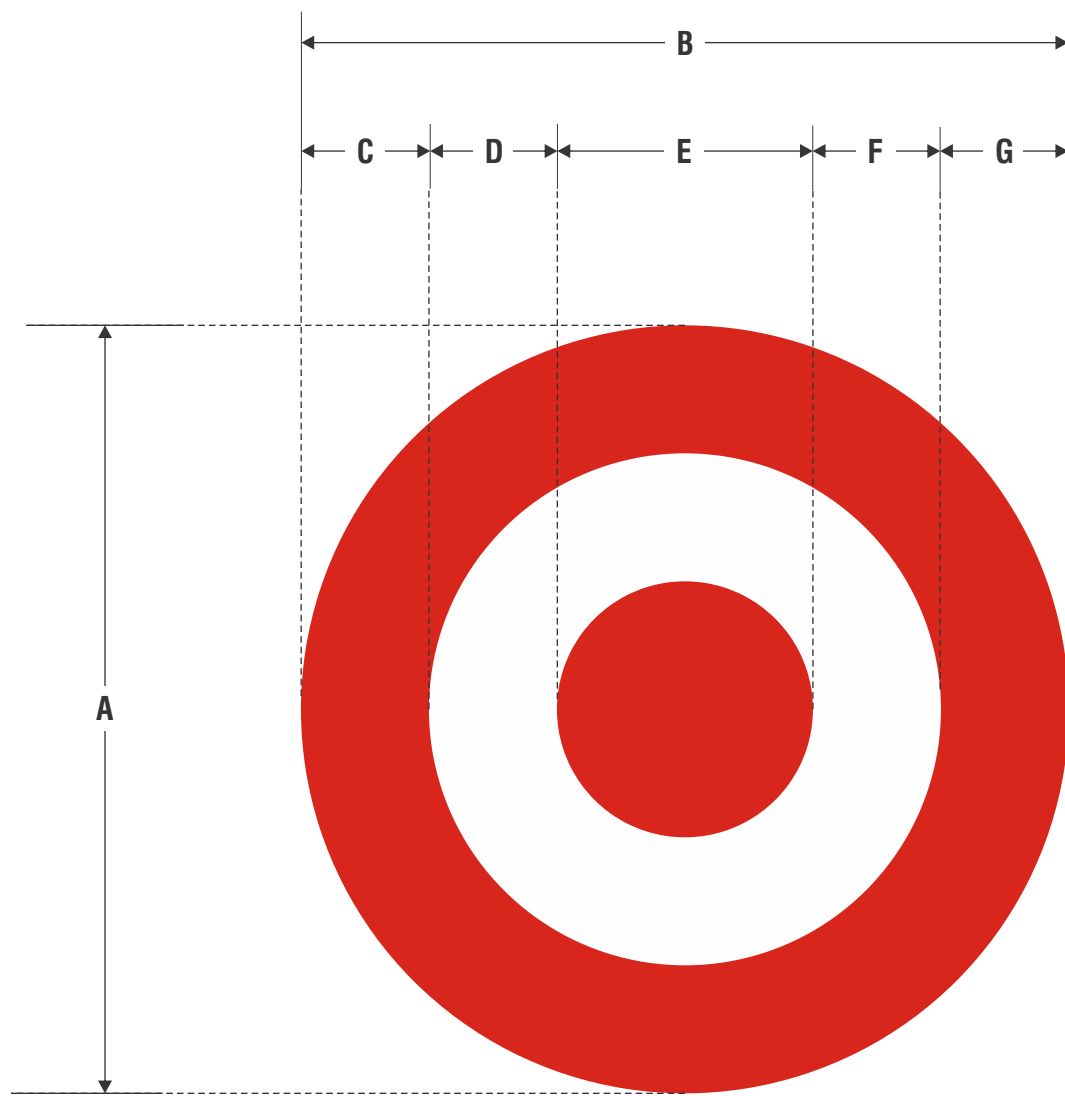
Parking Garage Elevation

- NOTE:**
- * ALL COLORS ARE FOR REFERENCE ONLY.
 - * EXISTING PREFINISHED METAL-NO PAINT, UNLESS NOTED OTHERWISE
 - * EXISTING STONE, CAST STONE, IPE & PREFIN METAL AREAS-NO PAINT; PAINT HM DOOR AND FRAME TO MATCH ADJ. WALL, TYP.
 - * RESEAL CAST STONE CAPS.
 - *STORE EXTERIOR WALLS ARE PRIMARILY PRECAST CONCRETE & STONE VENEER
 - *REPAINT BUS STOP C-1 RED-#TK8010-1
 - *BEN-2 : MODERN, COLOR.....SILVER

- GENERAL NOTE**
- * AREA TO BE PAINTED STARTS AT TOP OF CURB OR REVEAL AND CONTINUES TO TOP OF PARAPET/FLASHING OR REVEAL. PAINT COLOR AND FINISH TRANSITIONS OCCUR AT EXISTING VERTICAL CONTROL JOINTS OR AT INSIDE BUILDING CORNERS, U.N.O.
 - * ALL EXISTING WALL-MOUNTED ITEMS TO BE PAINTED TO MATCH ADJ. WALL SURFACE, U.N.O.
 - * PATCH ALL VISIBLE HOLES FROM MOUNTING OF REMOVED SIGNS WITH LIKE MATERIALS. RESTORE WALL SURFACE TO ' LIKE NEW' APPEARANCE.





Proposed Elevations

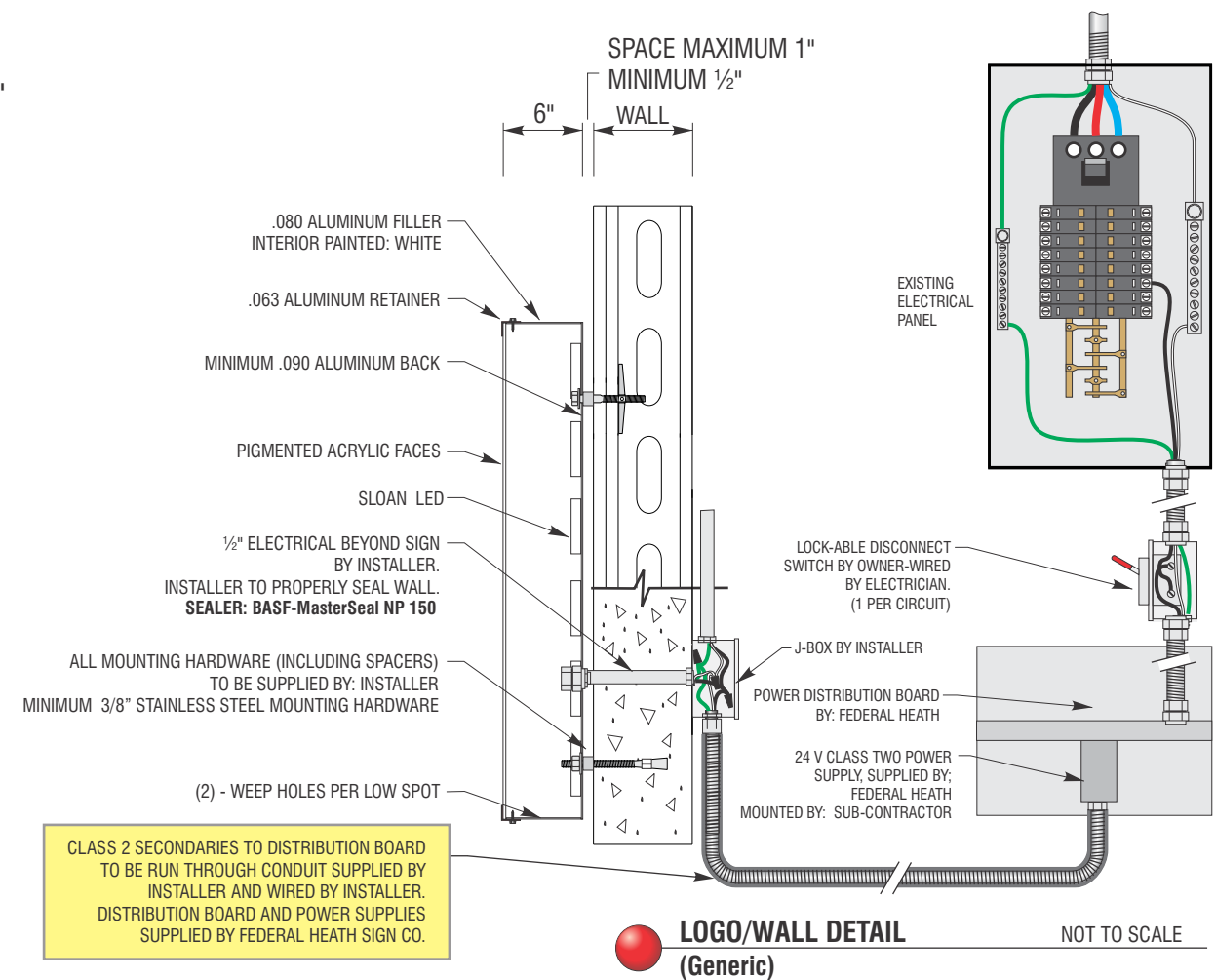




END VIEW

MATERIAL FINISH COLORS

| | | | |
|---|---|---|---|
|  MP# 82074LVG (FULL GLOSS) |  2793 LD Red Modified Acrylic (Altuglas or Equiv.) |  Red |  Sloan Red LED |
| Returns | Faces | Trimcap/Retainer | Illumination |



LOGO/WALL DETAIL (Generic) NOT TO SCALE

E ACRYLIC FACED INTERNALLY ILLUMINATED "BULLSEYE"

MANUFACTURE AND INSTALL CHANNEL LOGO AS SHOWN AND NOTED

| SIGN TYPE | A | B | C | D | E | F | G | RETAINER | SQ.FT. | QTY |
|---------------|--------|--------|-------|-------|-------|-------|-------|----------|--------|-----|
| 96 BULLSEYE-R | 14'-0" | 14'-0" | 2'-4" | 2'-4" | 4'-8" | 2'-4" | 2'-4" | 1 1/2" | 153.9 | 1 |

ELECTRICAL REQUIREMENTS

Total: 0.0 Amps

(1) 120V 20A Circuit Required.

ALL BRANCH CIRCUITS SHALL BE DEDICATED TO SIGNS (INCLUDING GROUND AND NEUTRAL) AND SHALL NOT BE SHARED WITH OTHER LOADS.

CUSTOMER TO PROVIDE DEDICATED BRANCH CIRCUITS FOR SIGNS ONLY PER NEC CODE 600.5

ALL BRANCH CIRCUITS SHALL BE DEDICATED TO SIGNS (INCLUDING GROUND AND NEUTRAL) AND SHALL NOT BE SHARED WITH OTHER LOADS. PROPERLY SIZED GROUND WIRE THAT CAN BE TRACED BACK TO BREAKER PANEL IS REQUIRED.

INSTALLER REQUIREMENTS

ALL MOUNTING HARDWARE, SECONDARY WIRING AND CONDUITS ARE TO BE PROVIDED BY THE INSTALLATION CONTRACTOR. ALL PENETRATIONS IN THE WALL ARE TO BE SEALED WITH SILICONE AND TO BE WATERTIGHT.

ANY DEVIATION FROM FEDERAL HEATH REQUIREMENTS MAY RESULT IN DAMAGE TO OR IMPROPER OPERATION OF SIGNAGE, CAUSING DELAYS AND ADDITIONAL COSTS.

NEW & REMODEL CONSTRUCTION

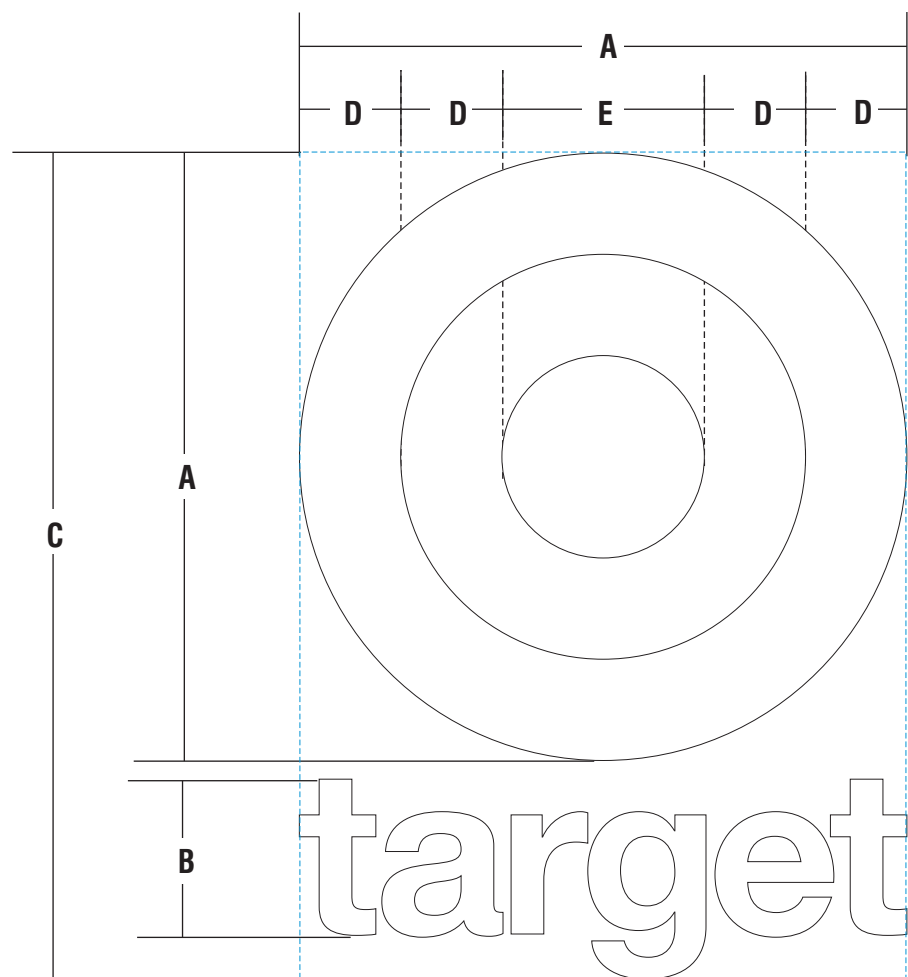
ADEQUATE BEHIND THE WALL BACKING AND ACCESS IS REQUIRED FOR THE INSTALLATION OF NEW SIGNAGE. CUSTOMER TO FORWARD APPROVED SIGNAGE DRAWINGS TO THE ON SITE CONTACT TO INSURE THAT THE REQUIRED PROVISIONS ARE MADE DURING CONSTRUCTION, PRIOR TO THE SIGN INSTALLATION.

INSTALLER REQUIREMENTS FOR EIFS WALLS

IT IS THE RESPONSIBILITY OF THE INSTALLATION CONTRACTOR TO PROVIDE ANY WALL SPACERS REQUIRED TO KEEP EIFS WALL MATERIAL FROM BEING COMPACTED DURING INSTALLATION OF ANY MOUNTING BOLTS REQUIRED FOR SIGNAGE.

GENERAL NOTE

- INSTALLER SHALL VERIFY WALL CONDITION IN THE FIELD.
- TYPE, SIZE AND NUMBER OF FASTENERS TO BE DETERMINED.
- ALL BOLT HOLES TO BE DRILLED OR PUNCHED.
- ISOLATE ALL ALUMINUM FROM STEEL.

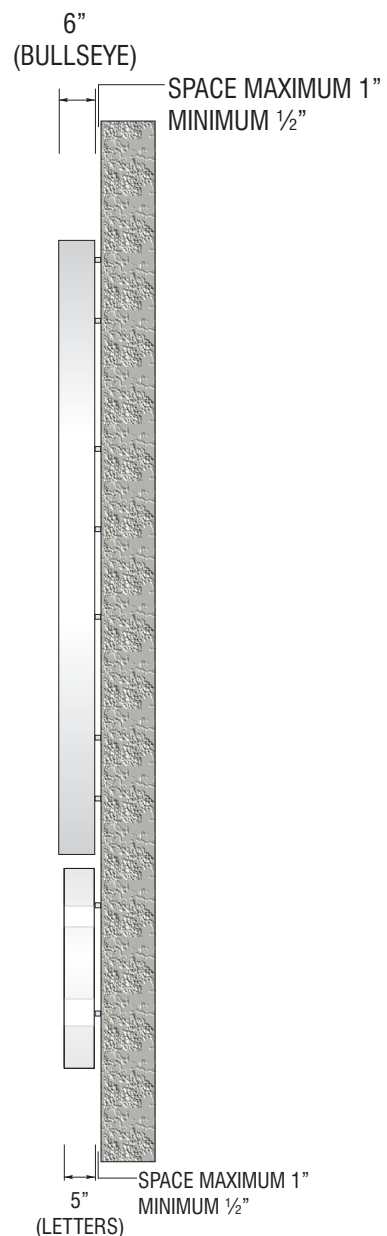


ACRYLIC FACED INT. ILLUM. "LOGO & LETTER SET" | LC-S W

SCOPE OF WORK:

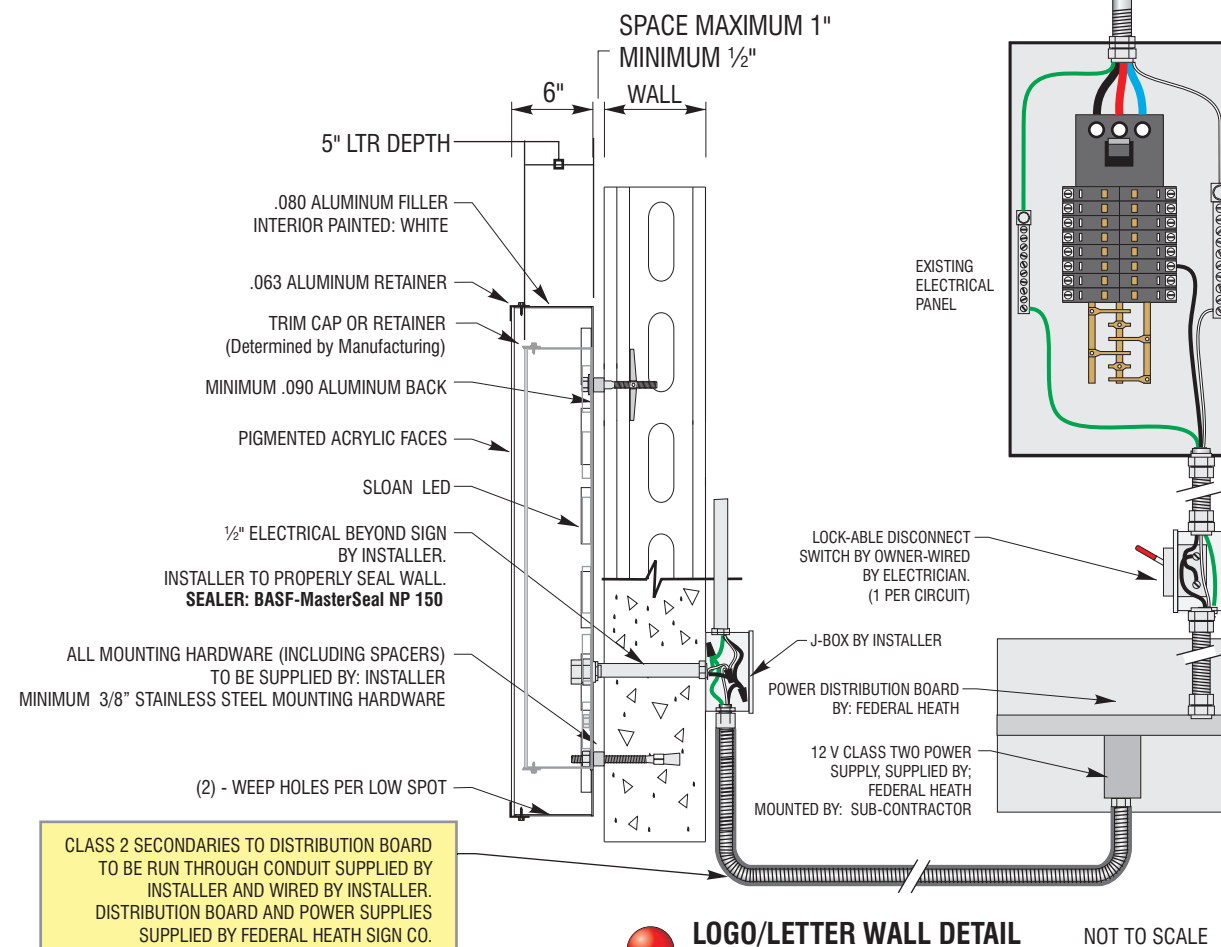
MANUFACTURE AND INSTALL CHANNEL LOGO & LETTERS

| SIGN TYPE | A | B | C | D | E | RETAINER | AMPS CIRCUITS | SQ.FT. |
|-----------|--------|-----------|------------|-------|-------|----------|------------------|--------|
| | 10'-0" | 2'-6-7/8" | 13'-7-1/8" | 1'-8" | 3'-4" | 1" | | 135.9 |



SIDE VIEW

MATERIAL FINISH COLORS



LOGO/LETTER WALL DETAIL (Generic) NOT TO SCALE

ELECTRICAL REQUIREMENTS

Total: 0.0 Amps

(1) 120V 20A Circuit Required.

ALL BRANCH CIRCUITS SHALL BE DEDICATED TO SIGNS (INCLUDING GROUND AND NEUTRAL) AND SHALL NOT BE SHARED WITH OTHER LOADS.

CUSTOMER TO PROVIDE DEDICATED BRANCH CIRCUITS FOR SIGNS ONLY PER NEC CODE 600.5

ALL BRANCH CIRCUITS SHALL BE DEDICATED TO SIGNS (INCLUDING GROUND AND NEUTRAL) AND SHALL NOT BE SHARED WITH OTHER LOADS. PROPERLY SIZED GROUND WIRE THAT CAN BE TRACED BACK TO BREAKER PANEL IS REQUIRED.

INSTALLER REQUIREMENTS

ALL MOUNTING HARDWARE, SECONDARY WIRING AND CONDUITS ARE TO BE PROVIDED BY THE INSTALLATION CONTRACTOR. ALL PENETRATIONS IN THE WALL ARE TO BE SEALED WITH SILICONE AND TO BE WATERTIGHT.

ANY DEVIATION FROM FEDERAL HEATH REQUIREMENTS MAY RESULT IN DAMAGE TO OR IMPROPER OPERATION OF SIGNAGE, CAUSING DELAYS AND ADDITIONAL COSTS.

NEW & REMODEL CONSTRUCTION

ADEQUATE BEHIND THE WALL BACKING AND ACCESS IS REQUIRED FOR THE INSTALLATION OF NEW SIGNAGE. CUSTOMER TO FORWARD APPROVED SIGNAGE DRAWINGS TO THE ON SITE CONTACT TO INSURE THAT THE REQUIRED PROVISIONS ARE MADE DURING CONSTRUCTION, PRIOR TO THE SIGN INSTALLATION.

INSTALLER REQUIREMENTS FOR EIFS WALLS

IT IS THE RESPONSIBILITY OF THE INSTALLATION CONTRACTOR TO PROVIDE ANY WALL SPACERS REQUIRED TO KEEP EIFS WALL MATERIAL FROM BEING COMPACTED DURING INSTALLATION OF ANY MOUNTING BOLTS REQUIRED FOR SIGNAGE.

GENERAL NOTE

- INSTALLER SHALL VERIFY WALL CONDITION IN THE FIELD.
- TYPE, SIZE AND NUMBER OF FASTENERS TO BE DETERMINED.
- ALL BOLT HOLES TO BE DRILLED OR PUNCHED.
- ISOLATE ALL ALUMINUM FROM STEEL.

FEDERAL HEATH

VISUAL COMMUNICATIONS

www.FederalHeath.com

12704 DuPont Circle Tampa, FL 33626

(813) 855-4415 (800) 284-3284 Fax (813) 854-3037

Manufacturing Facilities:
Oceanside, CA - Eules, TX - Jacksonville, TX
Delaware, OH - Racine, WI

Office Locations:
Oceanside, CA - Las Vegas, NV - Laughlin, AZ
Idaho Falls, ID - Eules, TX - Jacksonville, TX - San Antonio, TX
Houston, TX - Corpus Christi, TX - Indianapolis, IN
Louisville, KY - Knoxville, TN - Grafton, WI - Delaware, OH
Willowbrook, IL - Tunica, MS - Atlanta, GA
Tampa, FL - Daytona Beach, FL - Orlando, FL

Building Quality Signage Since 1901

Revisions:

Colors Depicted In This Rendering May Not Match Actual Finished Materials. Refer To Product Samples For Exact Color Match.

Client Approval/Date: _____

Landlord Approval/Date: _____

Account Rep: **Boyd Hippenstiel**

Project Manager: **Sandra Ramirez**

Drawn By: **Joe Knestrick**

UL Underwriters Laboratories Inc. ncc

ELECTRICAL TO USE U.L. LISTED COMPONENTS AND SHALL MEET ALL N.E.C. STANDARDS

ALL ELECTRICAL SIGNS ARE TO COMPLY WITH U.L. 48 AND ARTICLE 600 OF THE N.E.C. STANDARDS, INCLUDING THE PROPER GROUNDING AND BONDING OF ALL SIGNS.

Project / Location:

Store: #T0000

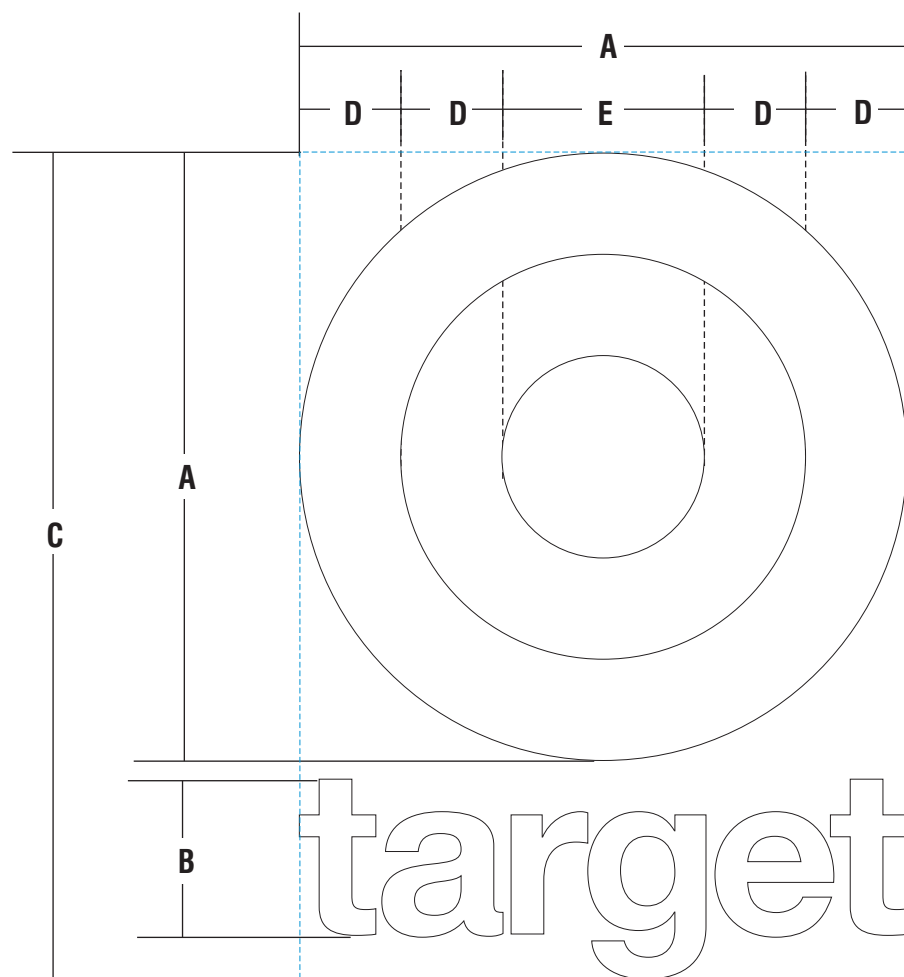
Job Number: **23-00000-10**

Date: **27 February 2018**

Sheet Number: **6** Of **18**

Design Number: **23-00000-10**

This original drawing is provided as part of a planned project and is not to be exhibited, copied or reproduced without the written permission of Federal Heath Sign Company, LLC or its authorized agent. © FHSC

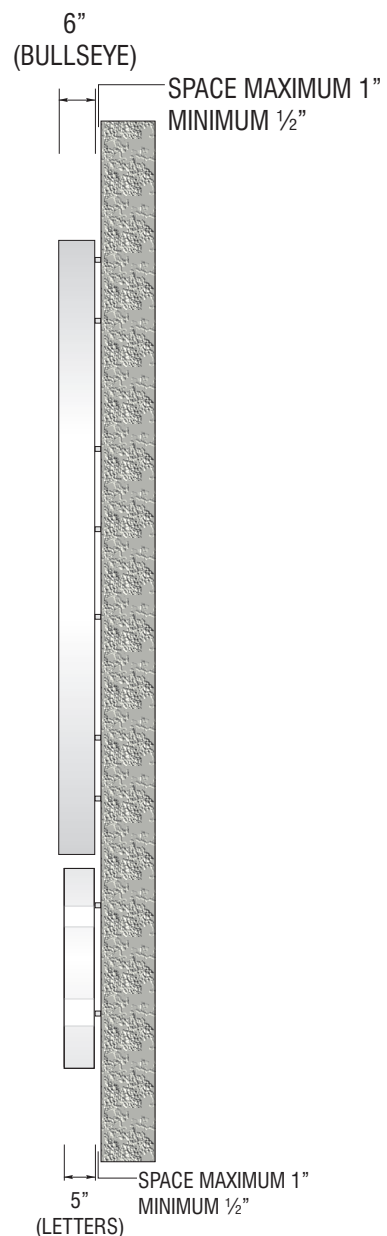


ACRYLIC FACED INT. ILLUM. "LOGO & LETTER SET" | LC-S W

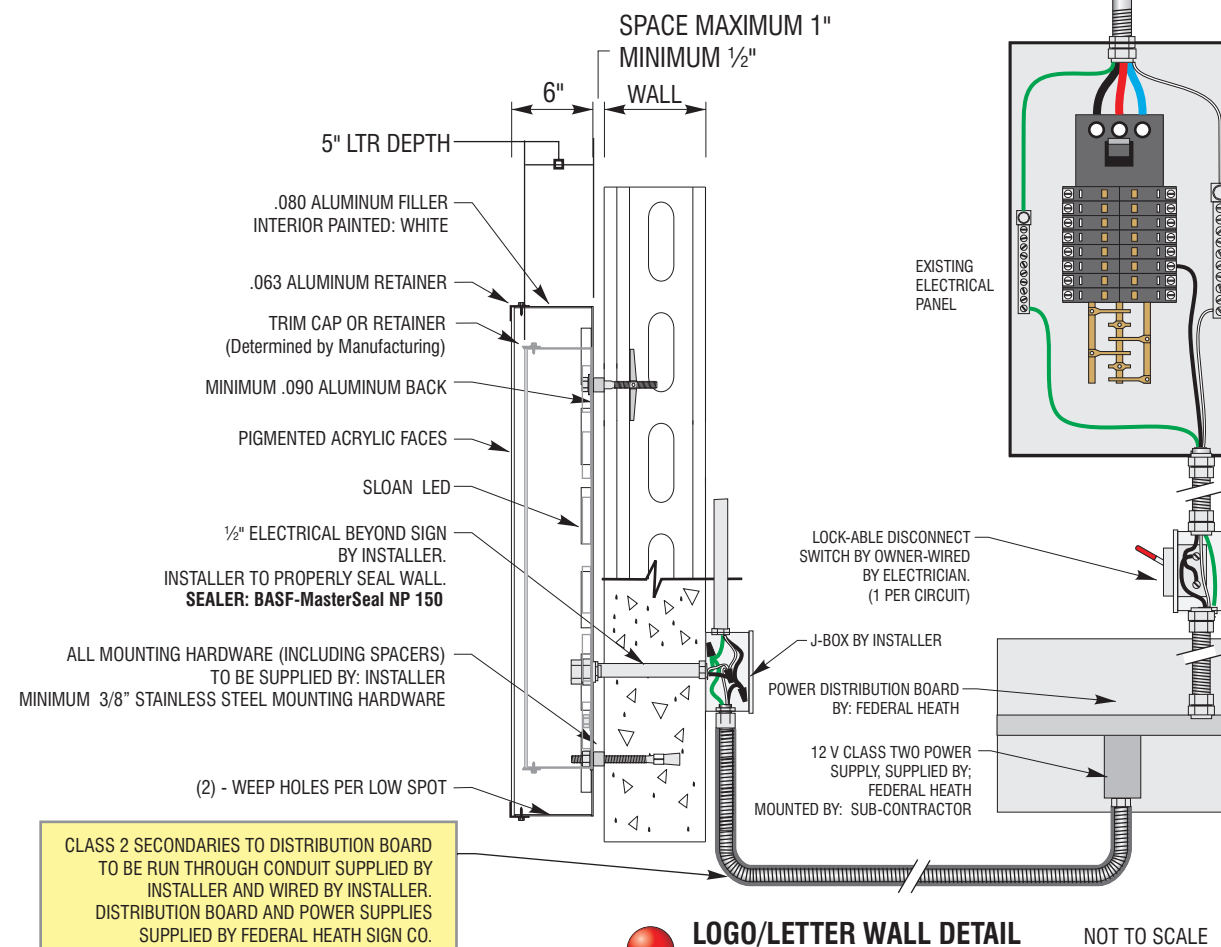
SCOPE OF WORK:

MANUFACTURE AND INSTALL CHANNEL LOGO & LETTERS

| SIGN TYPE | A | B | C | D | E | RETAINER | AMPS CIRCUITS | SQ.FT. |
|-----------|--------|-------|------------|-------|-------|----------|------------------|--------|
| | 12'-0" | 3'-1" | 16'-3 3/4" | 2'-0" | 4'-0" | 1 1/2" | | 195.7 |



SIDE VIEW



MATERIAL FINISH COLORS



LOGO/LETTER WALL DETAIL (Generic) NOT TO SCALE

ELECTRICAL REQUIREMENTS

Total: 0.0 Amps

(1) 120V 20A Circuit Required.

ALL BRANCH CIRCUITS SHALL BE DEDICATED TO SIGNS (INCLUDING GROUND AND NEUTRAL) AND SHALL NOT BE SHARED WITH OTHER LOADS.

CUSTOMER TO PROVIDE DEDICATED BRANCH CIRCUITS FOR SIGNS ONLY PER NEC CODE 600.5

ALL BRANCH CIRCUITS SHALL BE DEDICATED TO SIGNS (INCLUDING GROUND AND NEUTRAL) AND SHALL NOT BE SHARED WITH OTHER LOADS. PROPERLY SIZED GROUND WIRE THAT CAN BE TRACED BACK TO BREAKER PANEL IS REQUIRED.

INSTALLER REQUIREMENTS

ALL MOUNTING HARDWARE, SECONDARY WIRING AND CONDUITS ARE TO BE PROVIDED BY THE INSTALLATION CONTRACTOR. ALL PENETRATIONS IN THE WALL ARE TO BE SEALED WITH SILICONE AND TO BE WATERTIGHT.

ANY DEVIATION FROM FEDERAL HEATH REQUIREMENTS MAY RESULT IN DAMAGE TO OR IMPROPER OPERATION OF SIGNAGE, CAUSING DELAYS AND ADDITIONAL COSTS.

NEW & REMODEL CONSTRUCTION

ADEQUATE BEHIND THE WALL BACKING AND ACCESS IS REQUIRED FOR THE INSTALLATION OF NEW SIGNAGE. CUSTOMER TO FORWARD APPROVED SIGNAGE DRAWINGS TO THE ON SITE CONTACT TO INSURE THAT THE REQUIRED PROVISIONS ARE MADE DURING CONSTRUCTION, PRIOR TO THE SIGN INSTALLATION.

INSTALLER REQUIREMENTS FOR EIFS WALLS

IT IS THE RESPONSIBILITY OF THE INSTALLATION CONTRACTOR TO PROVIDE ANY WALL SPACERS REQUIRED TO KEEP EIFS WALL MATERIAL FROM BEING COMPACTED DURING INSTALLATION OF ANY MOUNTING BOLTS REQUIRED FOR SIGNAGE.

GENERAL NOTE

- INSTALLER SHALL VERIFY WALL CONDITION IN THE FIELD.
- TYPE, SIZE AND NUMBER OF FASTENERS TO BE DETERMINED.
- ALL BOLT HOLES TO BE DRILLED OR PUNCHED.
- ISOLATE ALL ALUMINUM FROM STEEL.

FEDERAL HEATH

VISUAL COMMUNICATIONS

www.FederalHeath.com

12704 DuPont Circle Tampa, FL 33626

(813) 855-4415 (800) 284-3284 Fax (813) 854-3037

Manufacturing Facilities:
Oceanside, CA - Eules, TX - Jacksonville, TX
Delaware, OH - Racine, WI

Office Locations:
Oceanside, CA - Las Vegas, NV - Laughlin, AZ
Idaho Falls, ID - Eules, TX - Jacksonville, TX - San Antonio, TX
Houston, TX - Corpus Christi, TX - Indianapolis, IN
Louisville, KY - Knoxville, TN - Grafton, WI - Delaware, OH
Willowbrook, IL - Tunica, MS - Atlanta, GA
Tampa, FL - Daytona Beach, FL - Orlando, FL

Building Quality Signage Since 1901

Revisions: _____

Colors Depicted In This Rendering May Not Match Actual Finished Materials. Refer To Product Samples For Exact Color Match.

Client Approval/Date: _____

Landlord Approval/Date: _____

Account Rep: **Boyd Hippenstiel**

Project Manager: **Sandra Ramirez**

Drawn By: **Joe Knestrick**

UL Underwriters Laboratories Inc. **nec** ELECTRICAL TO USE U.L. LISTED COMPONENTS AND SHALL MEET ALL N.E.C. STANDARDS

ALL ELECTRICAL SIGNS ARE TO COMPLY WITH U.L. 48 AND ARTICLE 600 OF THE N.E.C. STANDARDS, INCLUDING THE PROPER GROUNDING AND BONDING OF ALL SIGNS.

Project / Location:  Store: #T0000

Job Number: **23-0000-10**

Date: **27 February 2018**

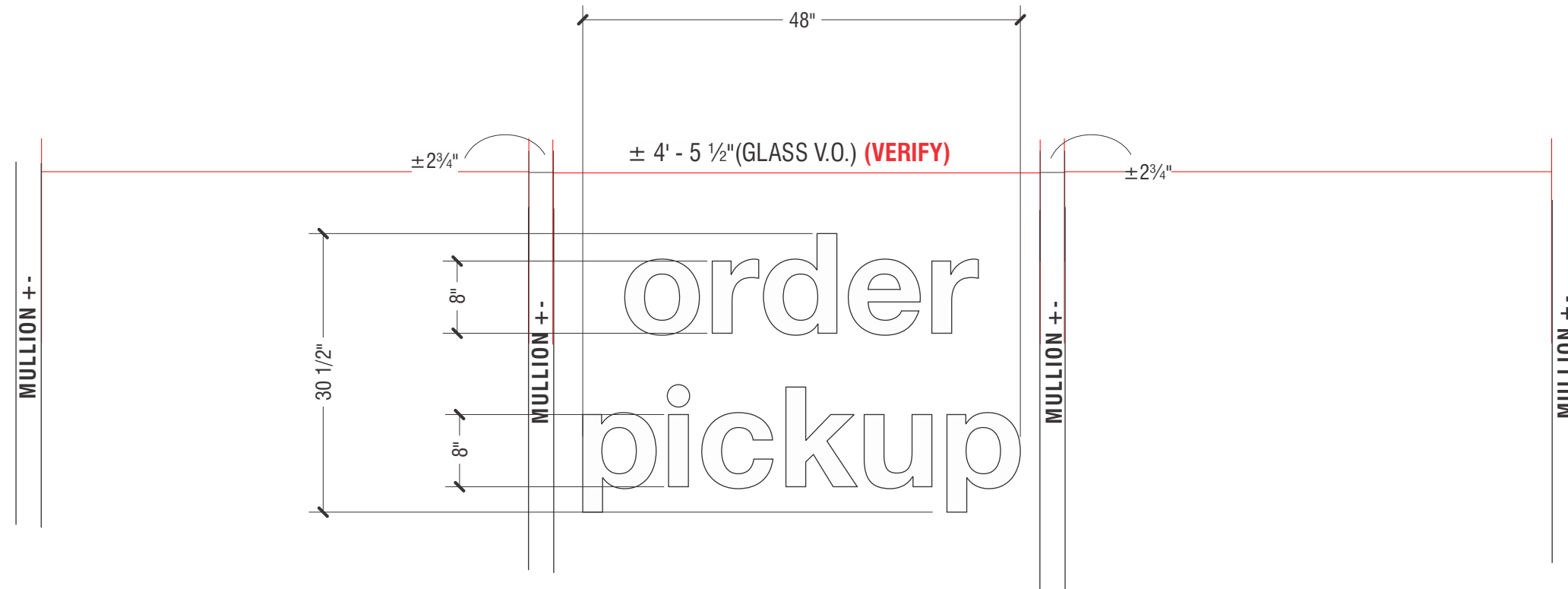
Sheet Number: **6** Of **18**

Design Number: **23-0000-10**

This original drawing is provided as part of a planned project and is not to be exhibited, copied or reproduced without the written permission of Federal Heath Sign Company, LLC or its authorized agent. © FHSC

FIELD SURVEY REQUIRED

VERIFY GLASS V.O. & MULLION/DIVIDER SIZING PRIOR TO FABRICATION



C ORDER PICKUP VINYL | ONE (1) REQ.

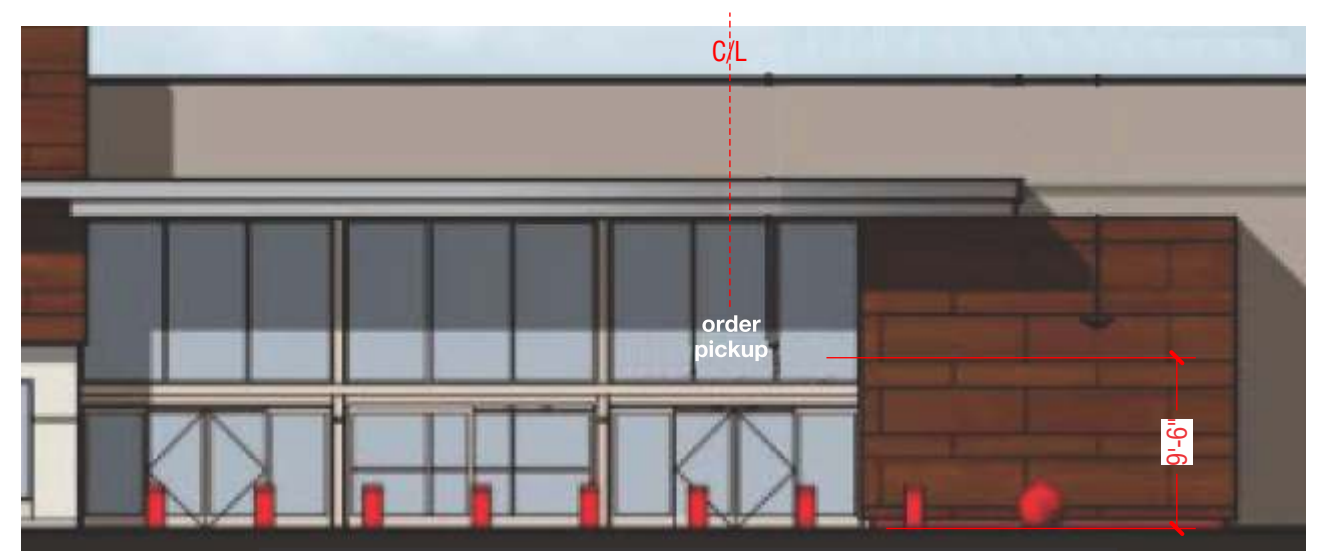
SCALE: 3/4" = 1'-0"

10.16 SQ FT

MANUFACTURE AND INSTALL FIRST SURFACE (*Verify IF ; 1st or 2nd Surface Applied) OPAQUE WHITE VINYL LAYOUT

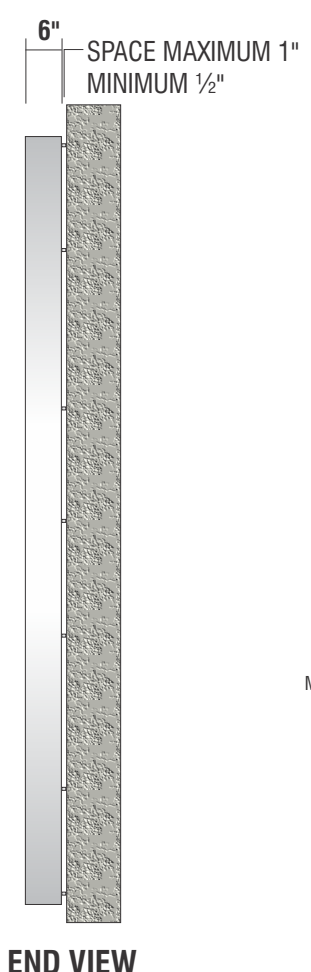
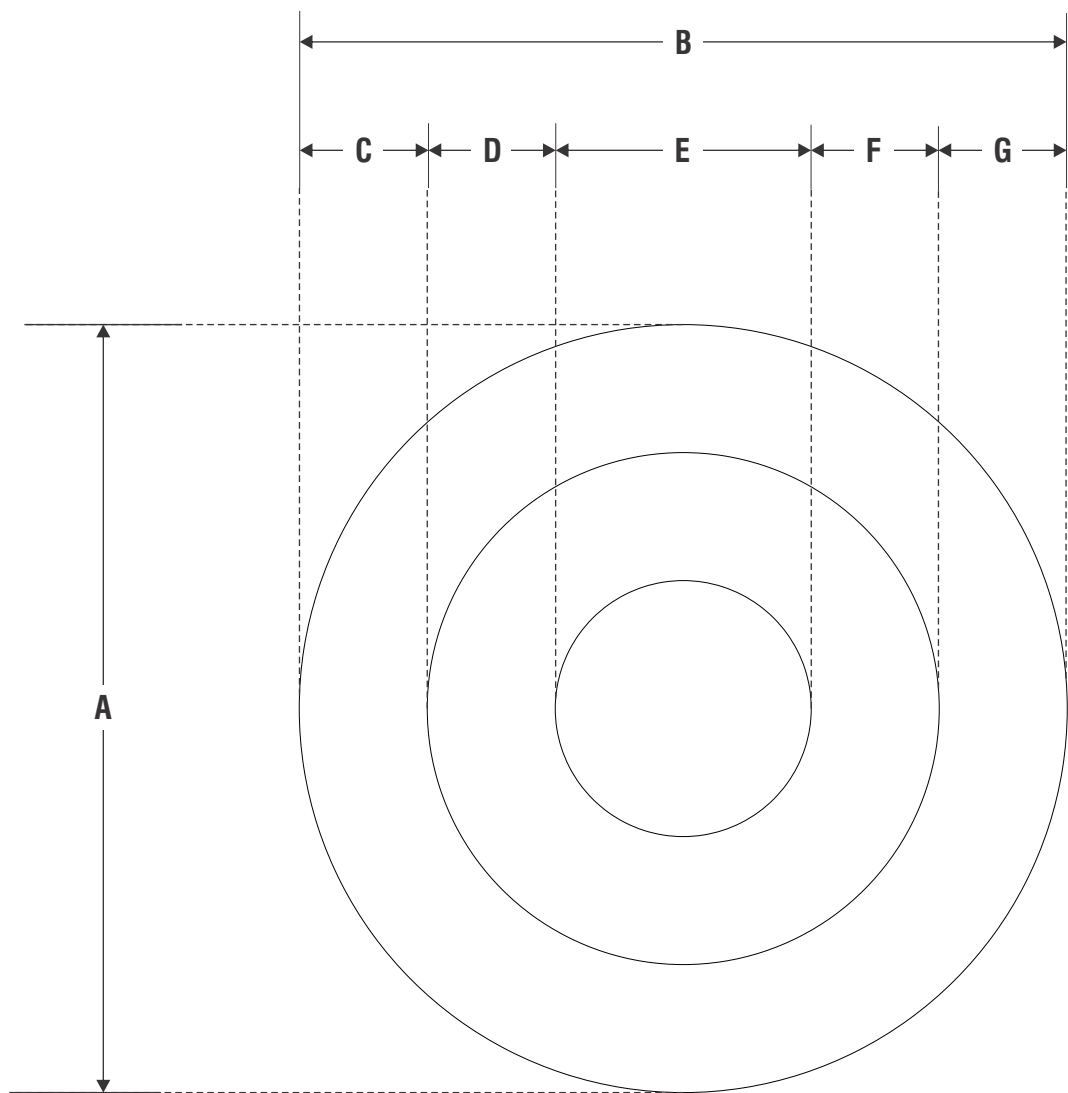
MATERIAL FINISH COLORS

| | |
|---|-------------------------------------|
|  | 3M 7725-10 WHITE OPAQUE VINYL |
|  | Vinyl |

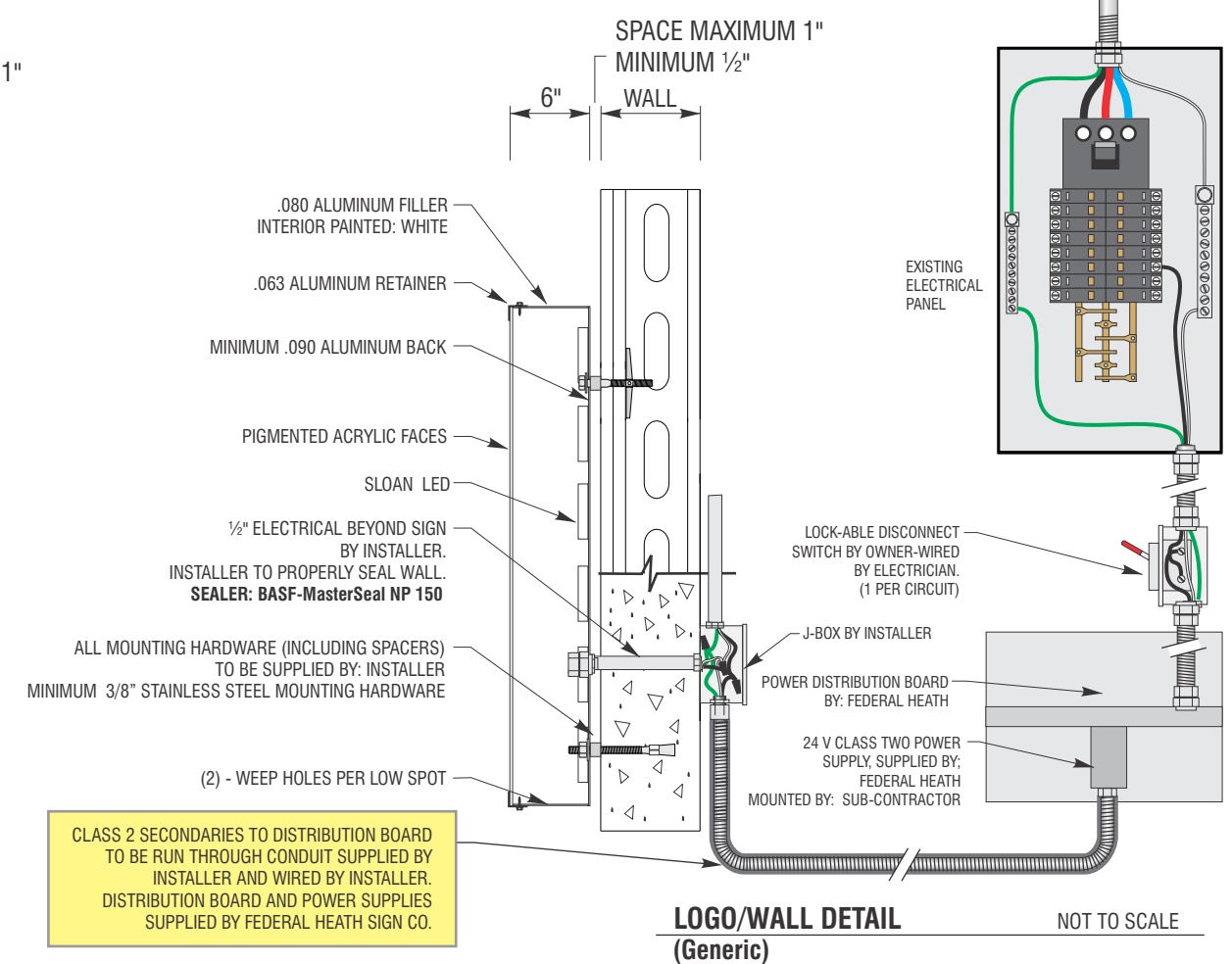


NORTH ELEVATION (Partial) STOREFRONT

scale 3/32" = 1'-0"



| MATERIAL FINISH COLORS | | | |
|------------------------|-------|-------------------|----------------------------|
| | WHITE | | 7328 WHITE ATUGLAS Acrylic |
| | WHITE | | Sloan White LED |
| Returns | | Retainer/Trim-Cap | Illumination |



ACRYLIC FACED INTERNALLY ILLUMINATED "BULLSEYE"

MANUFACTURE AND INSTALL CHANNEL LOGO AS SHOWN AND NOTED

| SIGN TYPE | A | B | C | D | E | F | G | RETAINER | SQ.FT. | QTY |
|----------------|--------|--------|-------|-------|-------|-------|-------|----------|--------|-----|
| 156 BULLSEYE-W | 10'-0" | 10'-0" | 1'-8" | 1'-8" | 3'-4" | 1'-8" | 1'-8" | 1" | 78.5 | 1 |

ELECTRICAL REQUIREMENTS

Total: 0.0 Amps

(1) 120V 20A Circuit Required.

ALL BRANCH CIRCUITS SHALL BE DEDICATED TO SIGNS (INCLUDING GROUND AND NEUTRAL) AND SHALL NOT BE SHARED WITH OTHER LOADS.

CUSTOMER TO PROVIDE DEDICATED BRANCH CIRCUITS FOR SIGNS ONLY PER NEC CODE 600.5

ALL BRANCH CIRCUITS SHALL BE DEDICATED TO SIGNS (INCLUDING GROUND AND NEUTRAL) AND SHALL NOT BE SHARED WITH OTHER LOADS. PROPERLY SIZED GROUND WIRE THAT CAN BE TRACED BACK TO BREAKER PANEL IS REQUIRED.

INSTALLER REQUIREMENTS

ALL MOUNTING HARDWARE, SECONDARY WIRING AND CONDUITS ARE TO BE PROVIDED BY THE INSTALLATION CONTRACTOR. ALL PENETRATIONS IN THE WALL ARE TO BE SEALED WITH SILICONE AND TO BE WATERTIGHT.

ANY DEVIATION FROM FEDERAL HEATH REQUIREMENTS MAY RESULT IN DAMAGE TO OR IMPROPER OPERATION OF SIGNAGE, CAUSING DELAYS AND ADDITIONAL COSTS.

NEW & REMODEL CONSTRUCTION

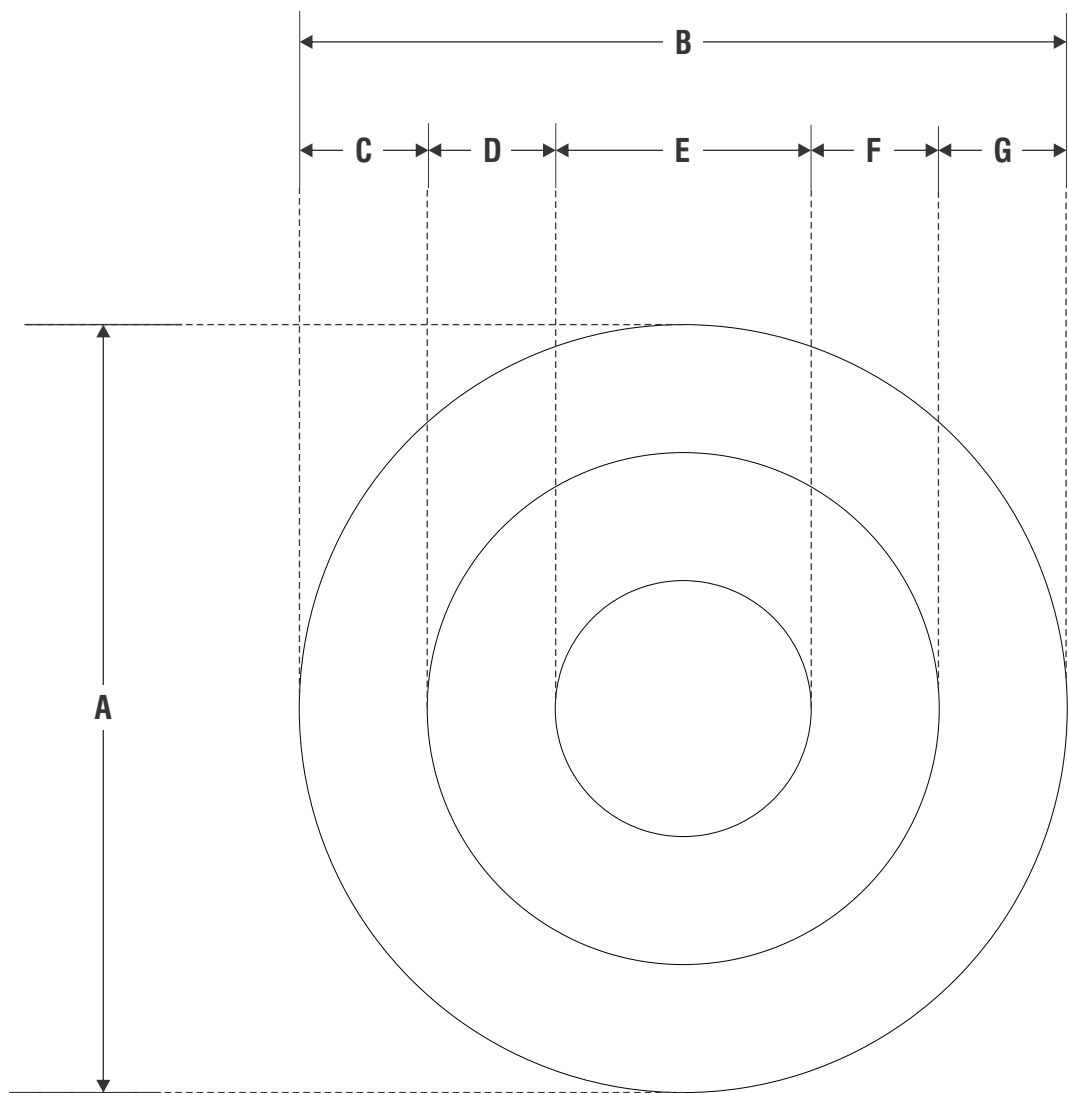
ADEQUATE BEHIND THE WALL BACKING AND ACCESS IS REQUIRED FOR THE INSTALLATION OF NEW SIGNAGE. CUSTOMER TO FORWARD APPROVED SIGNAGE DRAWINGS TO THE ON SITE CONTACT TO INSURE THAT THE REQUIRED PROVISIONS ARE MADE DURING CONSTRUCTION, PRIOR TO THE SIGN INSTALLATION.

INSTALLER REQUIREMENTS FOR EIFS WALLS

IT IS THE RESPONSIBILITY OF THE INSTALLATION CONTRACTOR TO PROVIDE ANY WALL SPACERS REQUIRED TO KEEP EIFS WALL MATERIAL FROM BEING COMPACTED DURING INSTALLATION OF ANY MOUNTING BOLTS REQUIRED FOR SIGNAGE.

GENERAL NOTE

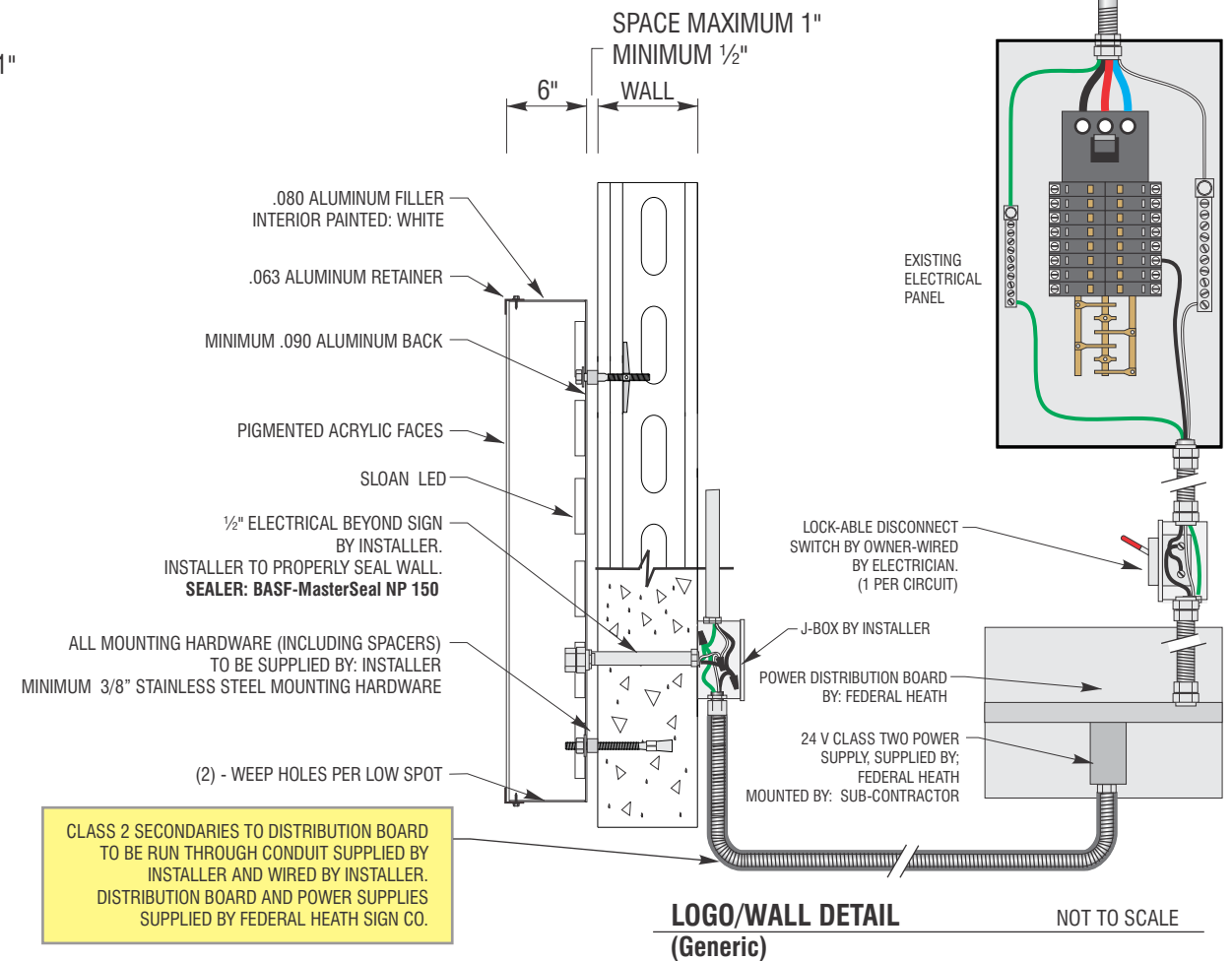
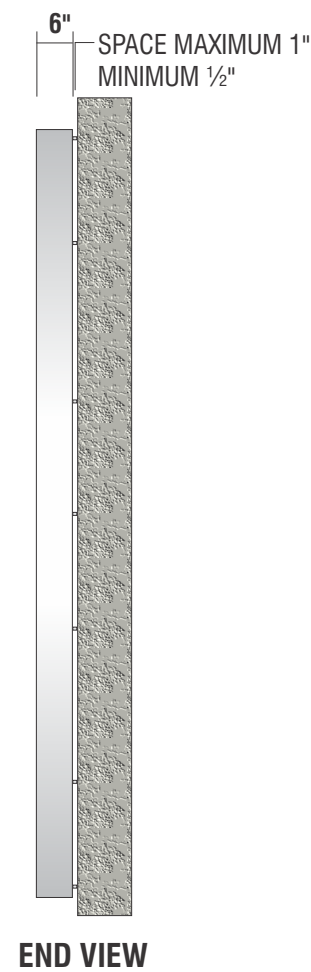
- INSTALLER SHALL VERIFY WALL CONDITION IN THE FIELD.
- TYPE, SIZE AND NUMBER OF FASTENERS TO BE DETERMINED.
- ALL BOLT HOLES TO BE DRILLED OR PUNCHED.
- ISOLATE ALL ALUMINUM FROM STEEL.



ACRYLIC FACED INTERNALLY ILLUMINATED "BULLSEYE"

MANUFACTURE AND INSTALL CHANNEL LOGO AS SHOWN AND NOTED

| SIGN TYPE | A | B | C | D | E | F | G | RETAINER | SQ.FT. | QTY |
|----------------|--------|--------|-------|-------|-------|-------|-------|----------|--------|-----|
| 156 BULLSEYE-W | 12'-0" | 12'-0" | 2'-0" | 2'-0" | 4'-0" | 2'-0" | 2'-0" | | 113.1 | 1 |



MATERIAL FINISH COLORS

| | | | |
|---------------|----------------------------------|-------------------------|------------------------------|
| WHITE Returns | 7328 WHITE ATUGLAS Acrylic Faces | WHITE Retainer/Trim-Cap | Sloan White LED Illumination |
|---------------|----------------------------------|-------------------------|------------------------------|

ELECTRICAL REQUIREMENTS

Total: 0.0 Amps

(1) 120V 20A Circuit Required.

ALL BRANCH CIRCUITS SHALL BE DEDICATED TO SIGNS (INCLUDING GROUND AND NEUTRAL) AND SHALL NOT BE SHARED WITH OTHER LOADS.

CUSTOMER TO PROVIDE DEDICATED BRANCH CIRCUITS FOR SIGNS ONLY PER NEC CODE 600.5

ALL BRANCH CIRCUITS SHALL BE DEDICATED TO SIGNS (INCLUDING GROUND AND NEUTRAL) AND SHALL NOT BE SHARED WITH OTHER LOADS. PROPERLY SIZED GROUND WIRE THAT CAN BE TRACED BACK TO BREAKER PANEL IS REQUIRED.

INSTALLER REQUIREMENTS

ALL MOUNTING HARDWARE, SECONDARY WIRING AND CONDUITS ARE TO BE PROVIDED BY THE INSTALLATION CONTRACTOR. ALL PENETRATIONS IN THE WALL ARE TO BE SEALED WITH SILICONE AND TO BE WATERTIGHT.

ANY DEVIATION FROM FEDERAL HEATH REQUIREMENTS MAY RESULT IN DAMAGE TO OR IMPROPER OPERATION OF SIGNAGE, CAUSING DELAYS AND ADDITIONAL COSTS.

NEW & REMODEL CONSTRUCTION

ADEQUATE BEHIND THE WALL BACKING AND ACCESS IS REQUIRED FOR THE INSTALLATION OF NEW SIGNAGE. CUSTOMER TO FORWARD APPROVED SIGNAGE DRAWINGS TO THE ON SITE CONTACT TO INSURE THAT THE REQUIRED PROVISIONS ARE MADE DURING CONSTRUCTION, PRIOR TO THE SIGN INSTALLATION.

INSTALLER REQUIREMENTS FOR EIFS WALLS

IT IS THE RESPONSIBILITY OF THE INSTALLATION CONTRACTOR TO PROVIDE ANY WALL SPACERS REQUIRED TO KEEP EIFS WALL MATERIAL FROM BEING COMPACTED DURING INSTALLATION OF ANY MOUNTING BOLTS REQUIRED FOR SIGNAGE.

GENERAL NOTE

- INSTALLER SHALL VERIFY WALL CONDITION IN THE FIELD.
- TYPE, SIZE AND NUMBER OF FASTENERS TO BE DETERMINED.
- ALL BOLT HOLES TO BE DRILLED OR PUNCHED.
- ISOLATE ALL ALUMINUM FROM STEEL.