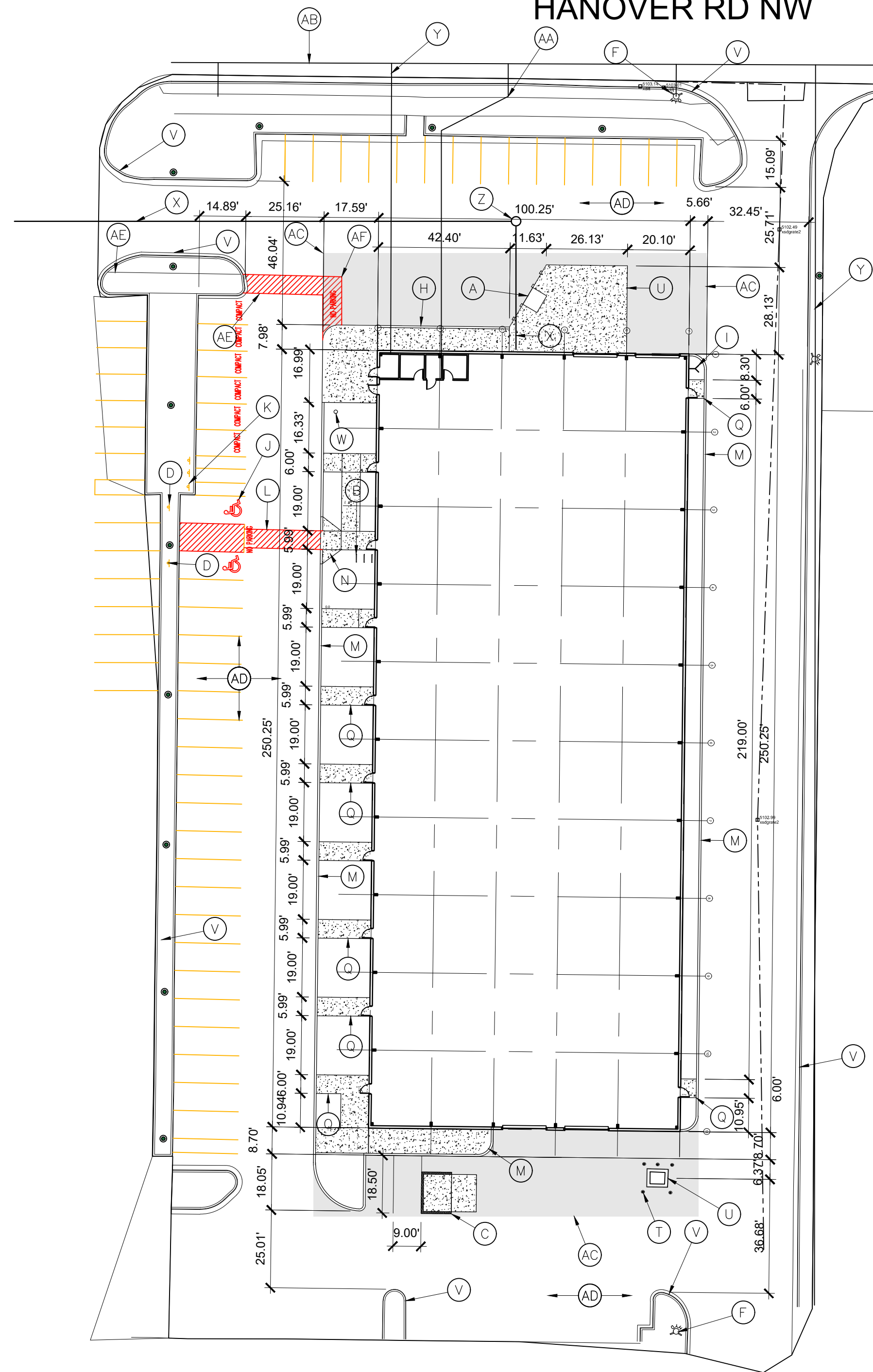
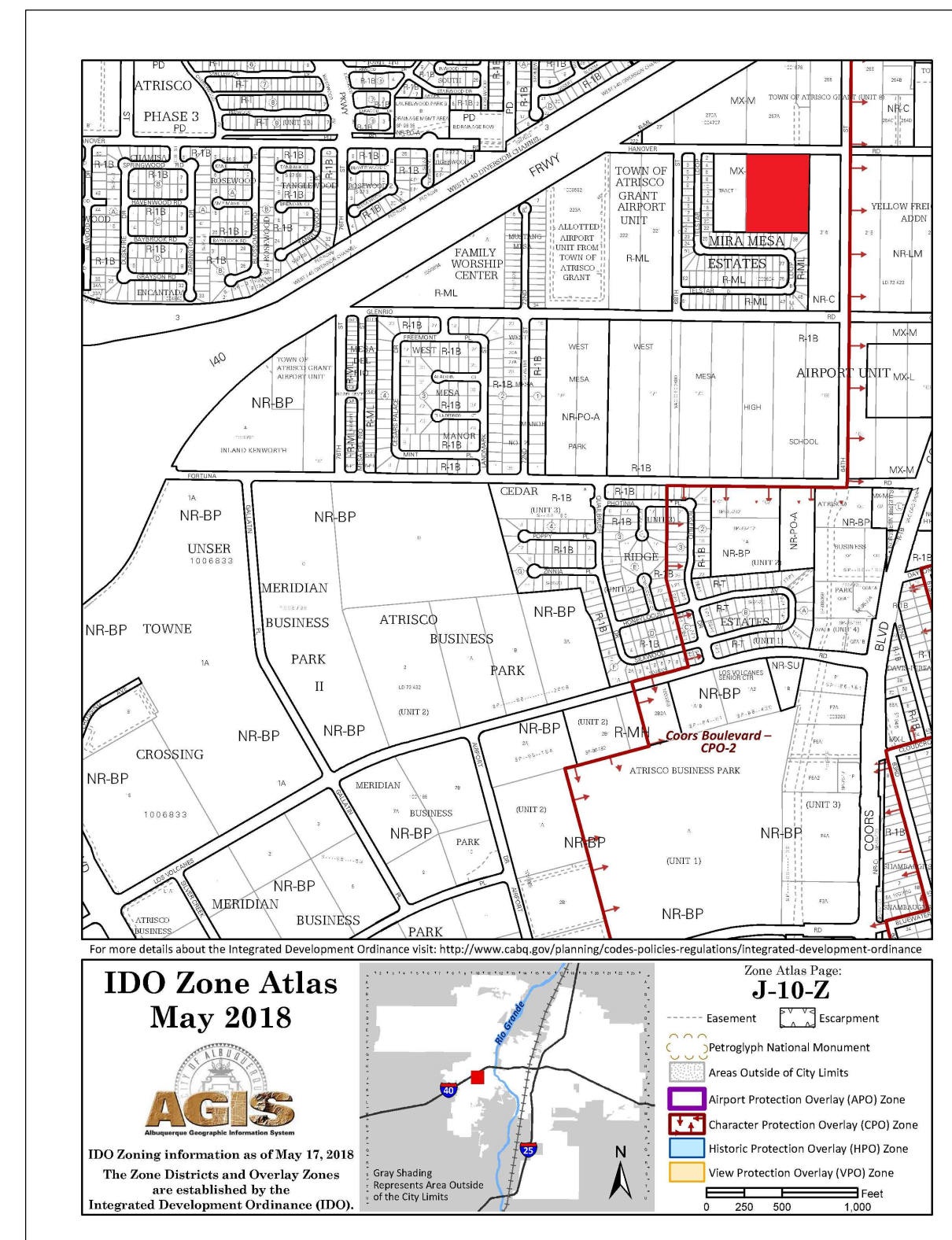


HANOVER RD NW



KEYED NOTES

- A. DOCK LEVELER
- B. 6 SPACE BIKE RACK, REF DETAIL THIS SHEET
- C. REFUSE ENCLOSURE
- D. H.C. PARKING SIGN, REF DETAIL ON THIS SHEET
- E. H.C. RAMP REF DETAIL ON THIS SHEET
- F. EXISTING FIRE HYDRANT
- G. IRRIGATION BOX
- H. DOCK RAMP
- I. FIRE DEPT. CONNECTION
- J. HC PARKING SYMBOL
- K. MOTORCYCLE PARKING SIGN REF DETAIL THIS SHEET
- L. 6' ACCESSIBLE ROUTE
- M. NEW CURB, REF DETAIL THIS SHEET
- N. HC SIDEWALK RAMP
- O. EXISTING EDGE OF ASPHALT
- P. EXISTING PROPERTY LINE
- Q. NEW 6" CONC. SIDEWALK
- R. EXISTING DRIVE ENTRANCE
- S. EXISTING TRANSFORMER
- T. BOLLARD
- U. LOADING DOCK 4'-0" AFF
- V. EXISTING CURB
- X. EXISTING 8" PVC SAS
- Y. EXISTING 4" PVC WATER LINE
- AA. EXISTING 2" WATER METER
- AB. EXISTING 10" WATER LINE
- AC. NEW ASPHALT PAVING
- AD. EXISTING ASPHALT PAVING
- AE. EXISTING ACCESSIBLE PATH
- AF. NEW ACCESSIBLE PATH, CONNECT TO EXISTING

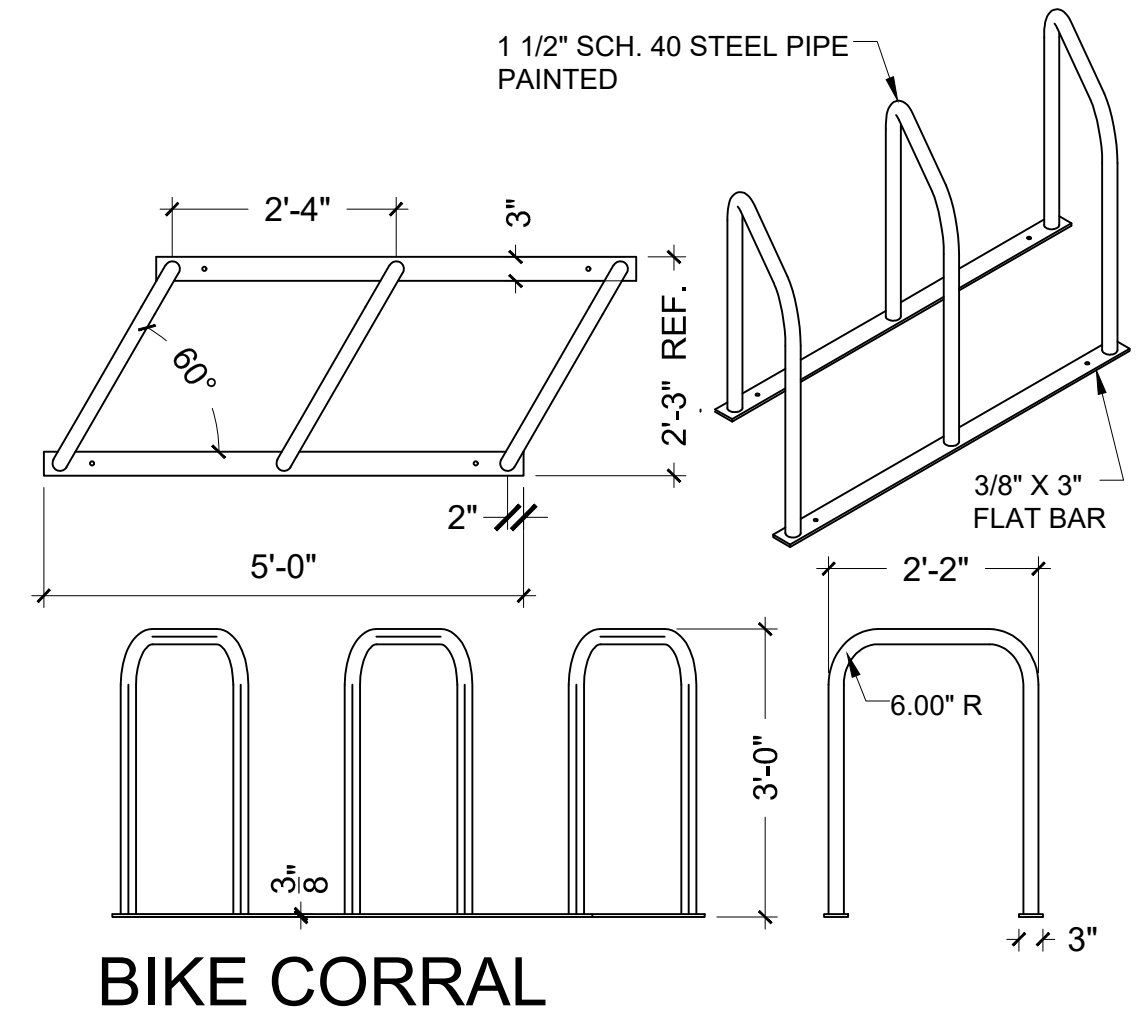


For more details about the Integrated Development Ordinance visit: <http://www.ci.albuq.gov/planning/odes/policies/regulations/integrated-development-ordinance>

IDO Zone Atlas May 2018

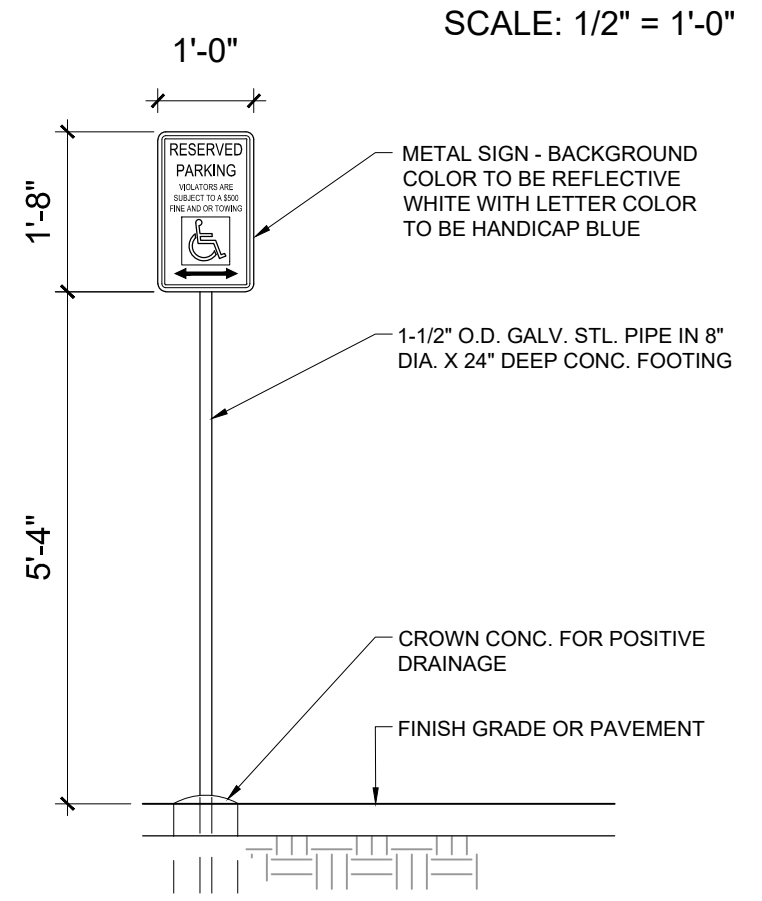


The Zone Districts and Overlay Zones are established by the Integrated Development Ordinance (IDO).



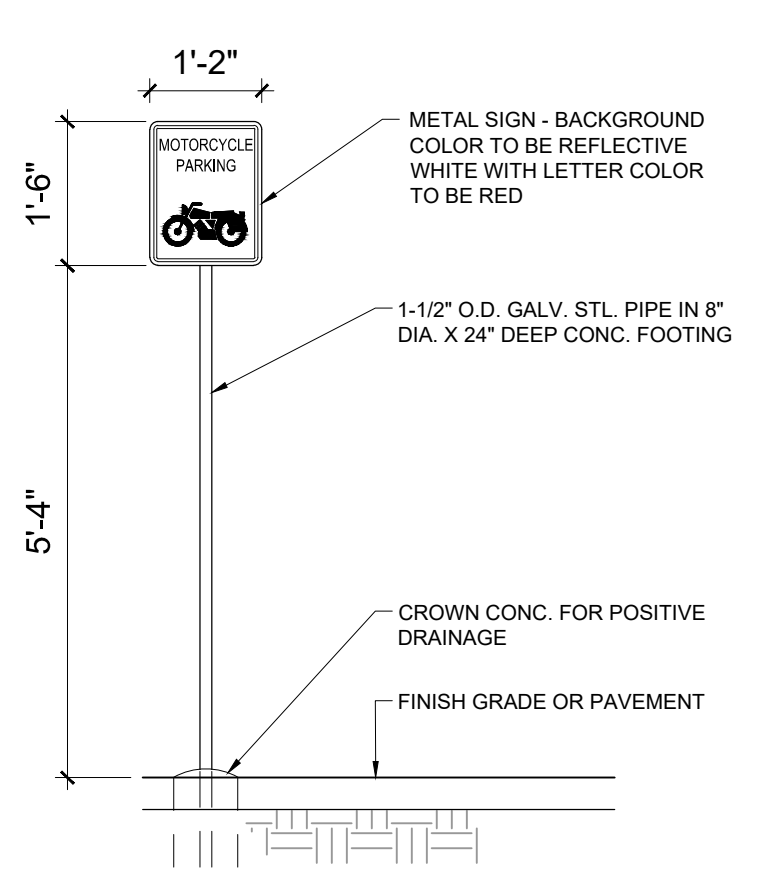
BIKE CORRAL

SCALE: 1/2" = 1'-0"



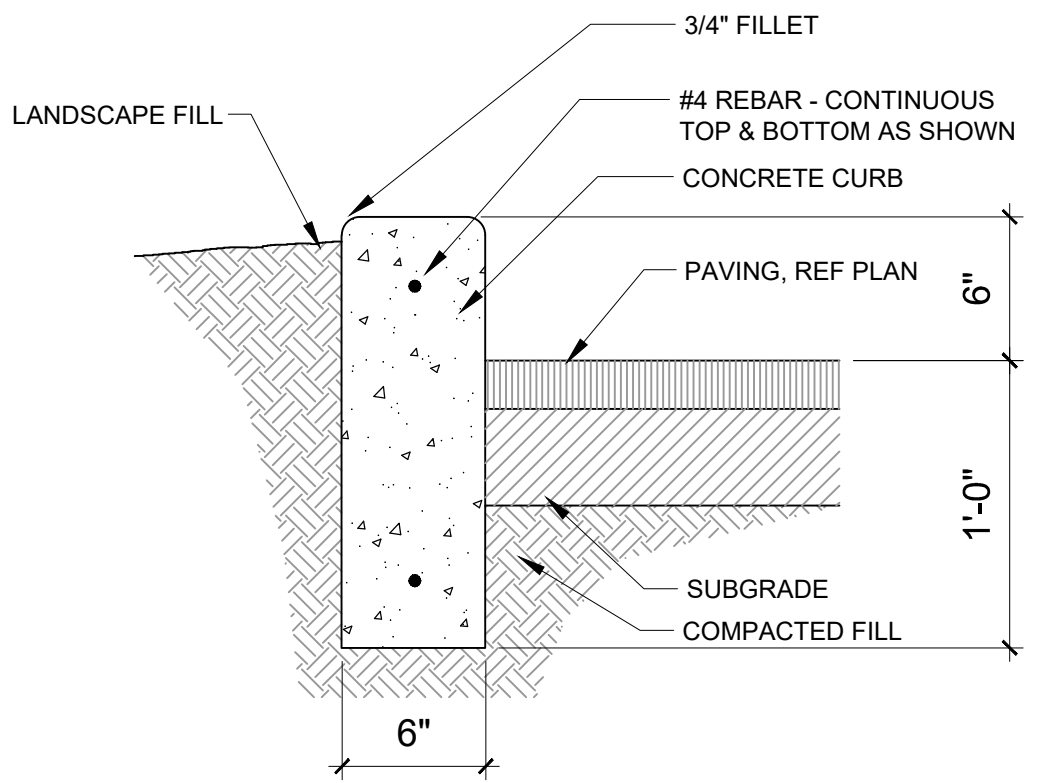
HC SIGN

SCALE: 1/2" = 1'-0"



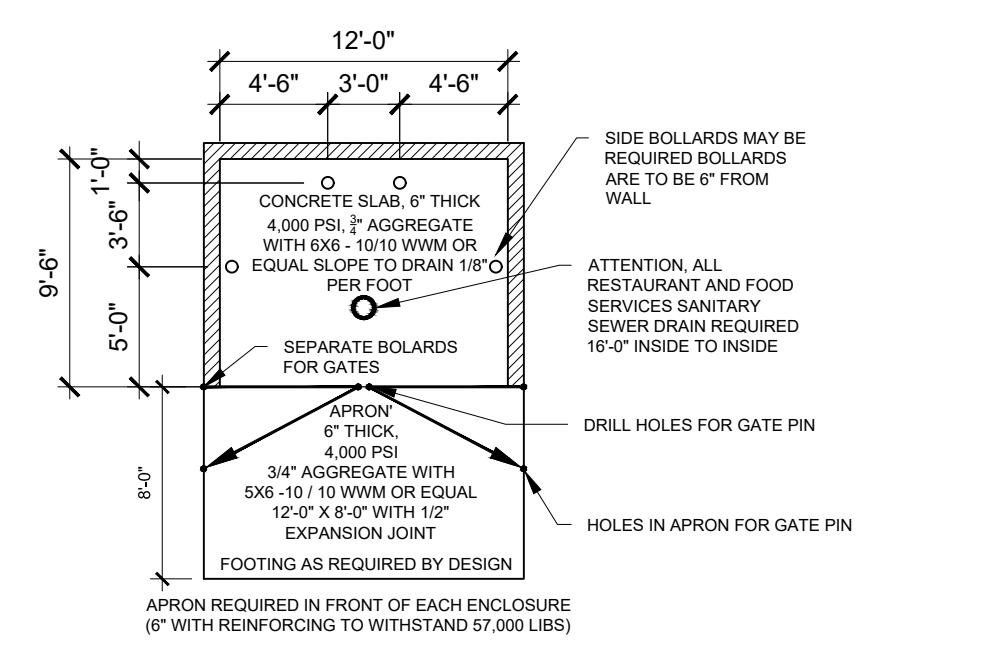
MOTORCYCLE SIGN

SCALE: 1/2" = 1'-0"



CURB DETAIL

SCALE: 1 1/2" = 1'-0"



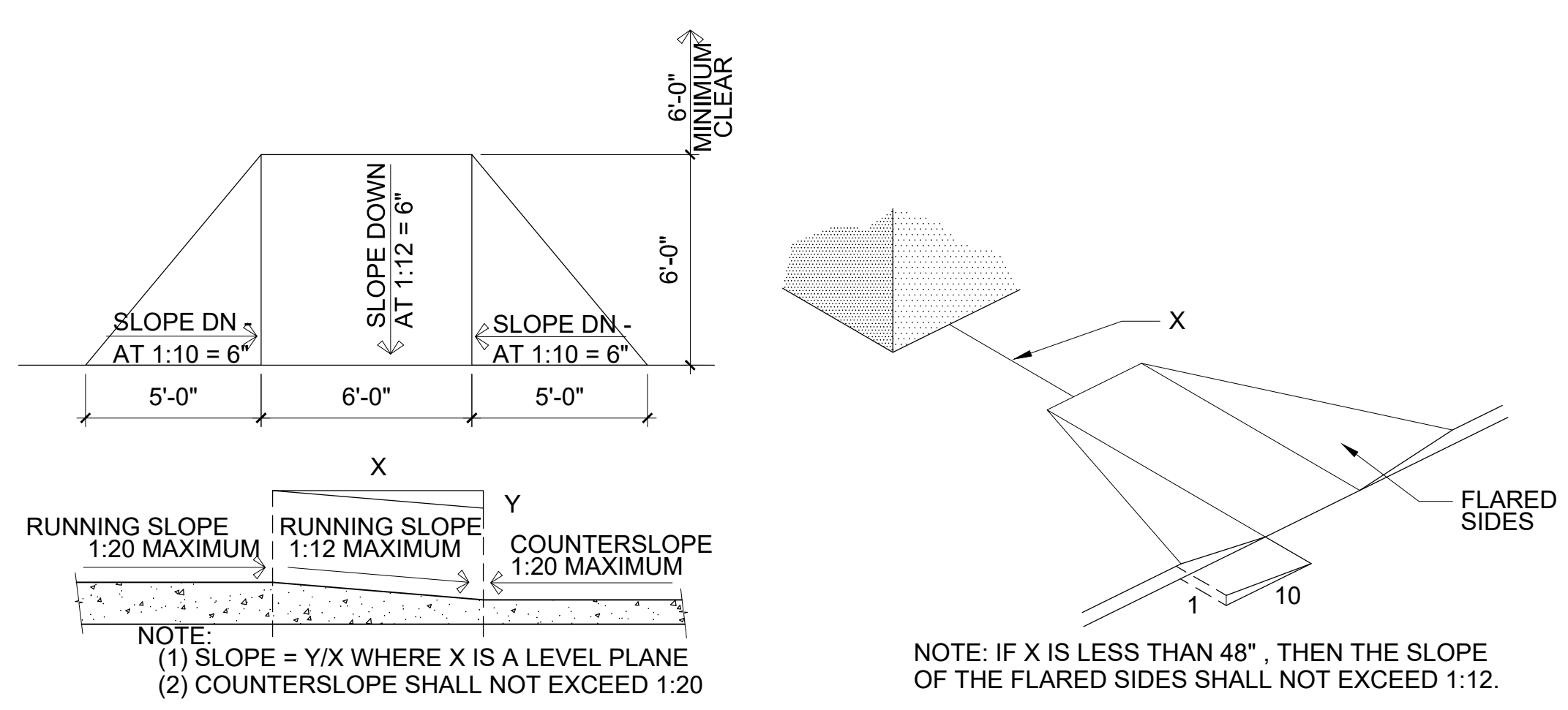
TRASH ENCLOSURE

SCALE: 1/8" = 1'-0"

EXISTING BUILDING

TRAFFIC CIRCULATION LAYOUT

SCALE: 1" = 30'-0"



HC RAMP

SCALE: 1/4" = 1'-0"

PARKING:
RESEARCH OR TESTING FACILITY
25,000 SF X 0.0015 = 37 SPACES
48 SPACES PROVIDED
HC PROVIDED / REQUIRED = 2
MC PARKING REQUIRED = 2 / PROVIDED = 3
BIKE RACK FOR 6 BIKES PROVIDED

No	Revision	Item	Date

SCOTT C. ANDERSON & ASSOCIATES ARCHITECTS
4419 4th St. NW, Ste. B
Albuquerque, NM 87107
505.461.7575

WAREHOUSE BUILDING
6500 HANOVER RD NW
ALBUQUERQUE, NM 87121

DRAWING TITLE: **TCL**

DESIGNED	PROJECT NO.
DRAWN	SCALE
CHECKED	DRAWING NO.
REVIEWED	TCL
DATE	8/26/2020