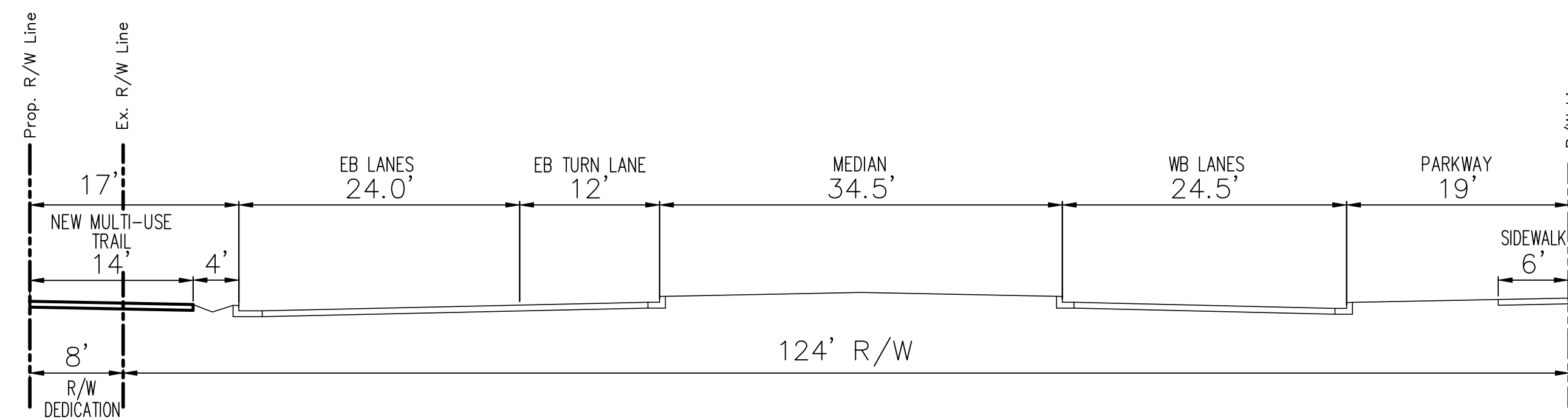
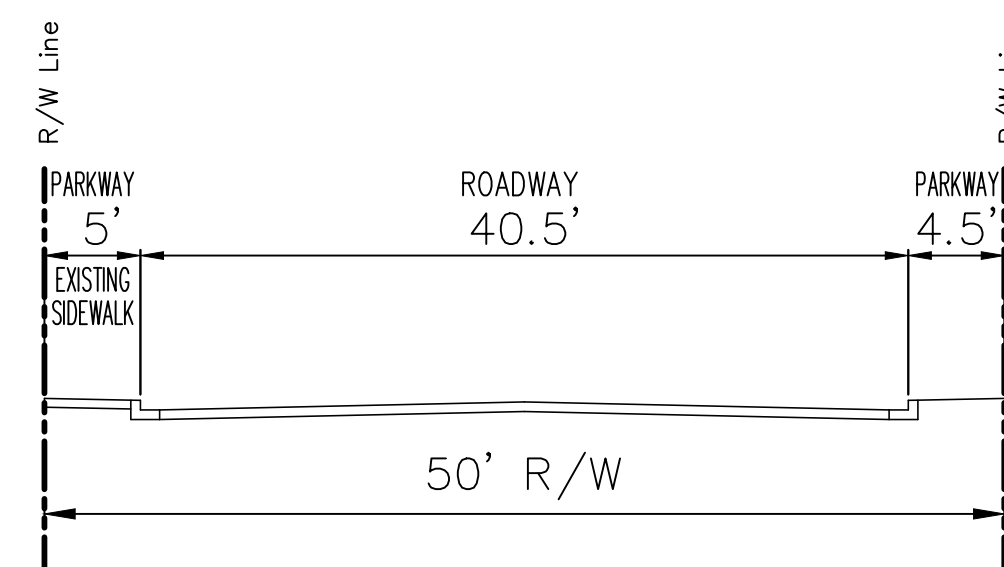


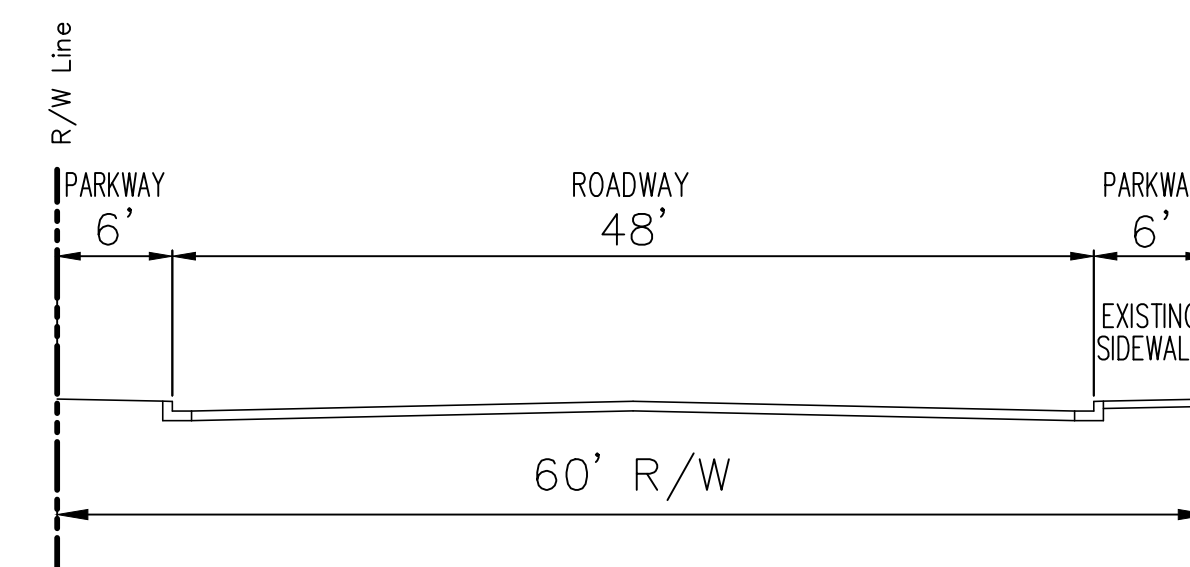
Existing Alameda Cross Section
Facing West



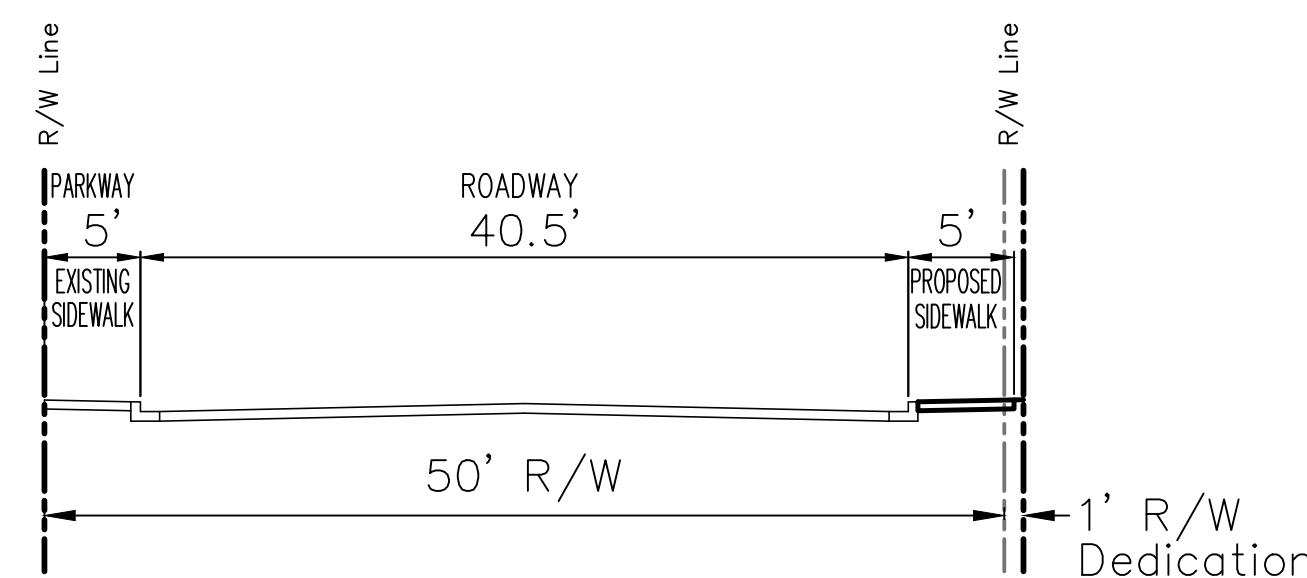
Proposed Alameda Cross Section
Facing West – Note: Future Multi-Use Trail by Others



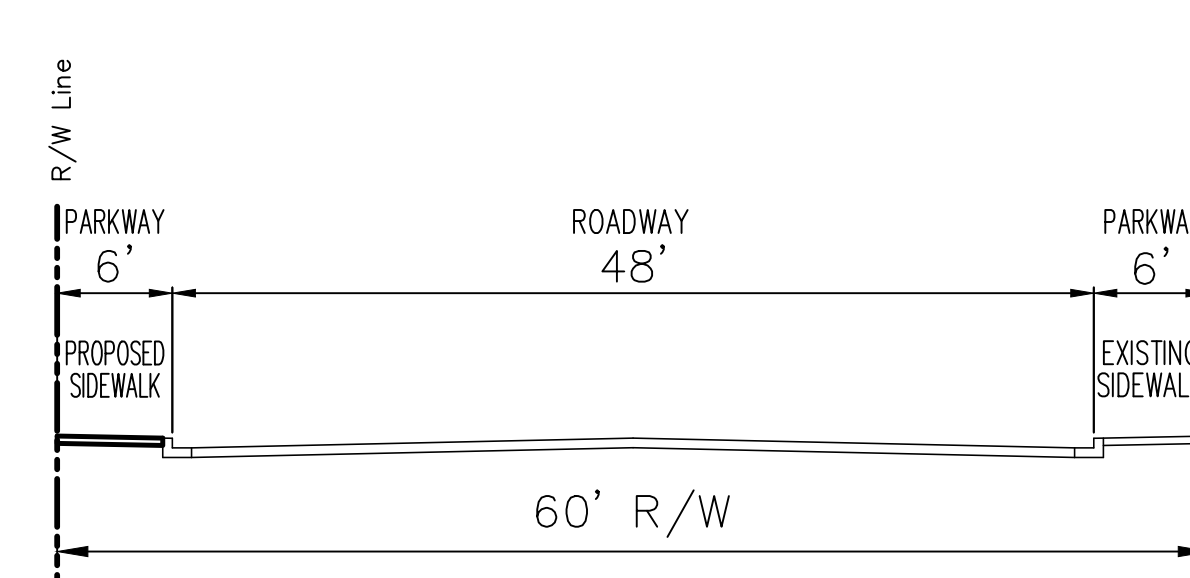
Existing President PI Cross Section
Facing North



Existing Washington Cross Section
Facing North



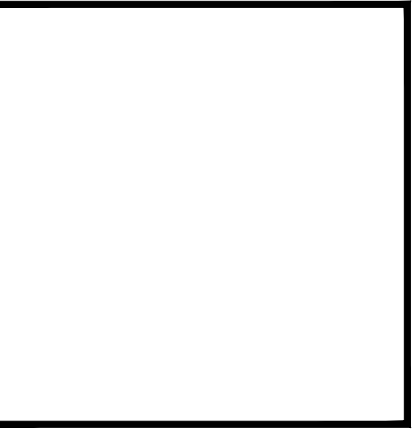
Proposed President PI Cross Section
Facing North



Proposed Washington Cross Section
Facing North

REV	DATE	BY	REVISION
△			
△			
△			
△			
△			
△			

MODULUS ARCHITECTS
 100 SUN AVENUE N.E., Ste 305
 ALBUQUERQUE, NEW MEXICO 87109
 PHONE (505) 338-1499 FAX (505) 338-1498



PROJECT TITLE STARBUCKS 8721 WASHINGTON ST. NE ALBUQUERQUE, NEW MEXICO 87113	JOB NO. 2020027	DRAWN BY: JEFF WOOTEN
PROJECT MANAGER JEFF WOOTEN	SHEET TITLE Roadway Cross Sections	

DATE 11/20/2020	Sheet C0.0
SCALE AS NOTED	of 3

W E Wooten Engineering
 PO Box 15814
 Rio Rancho, N.M. 87174
 Phone: (505) 980-3560