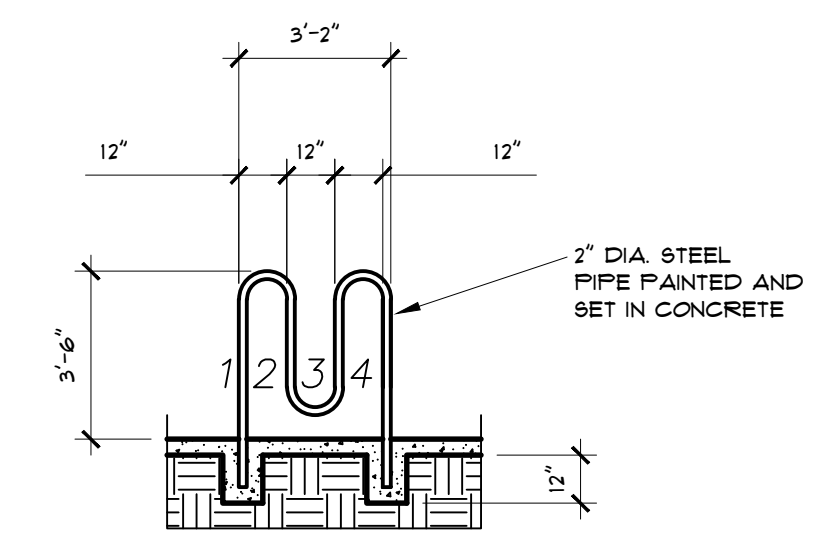
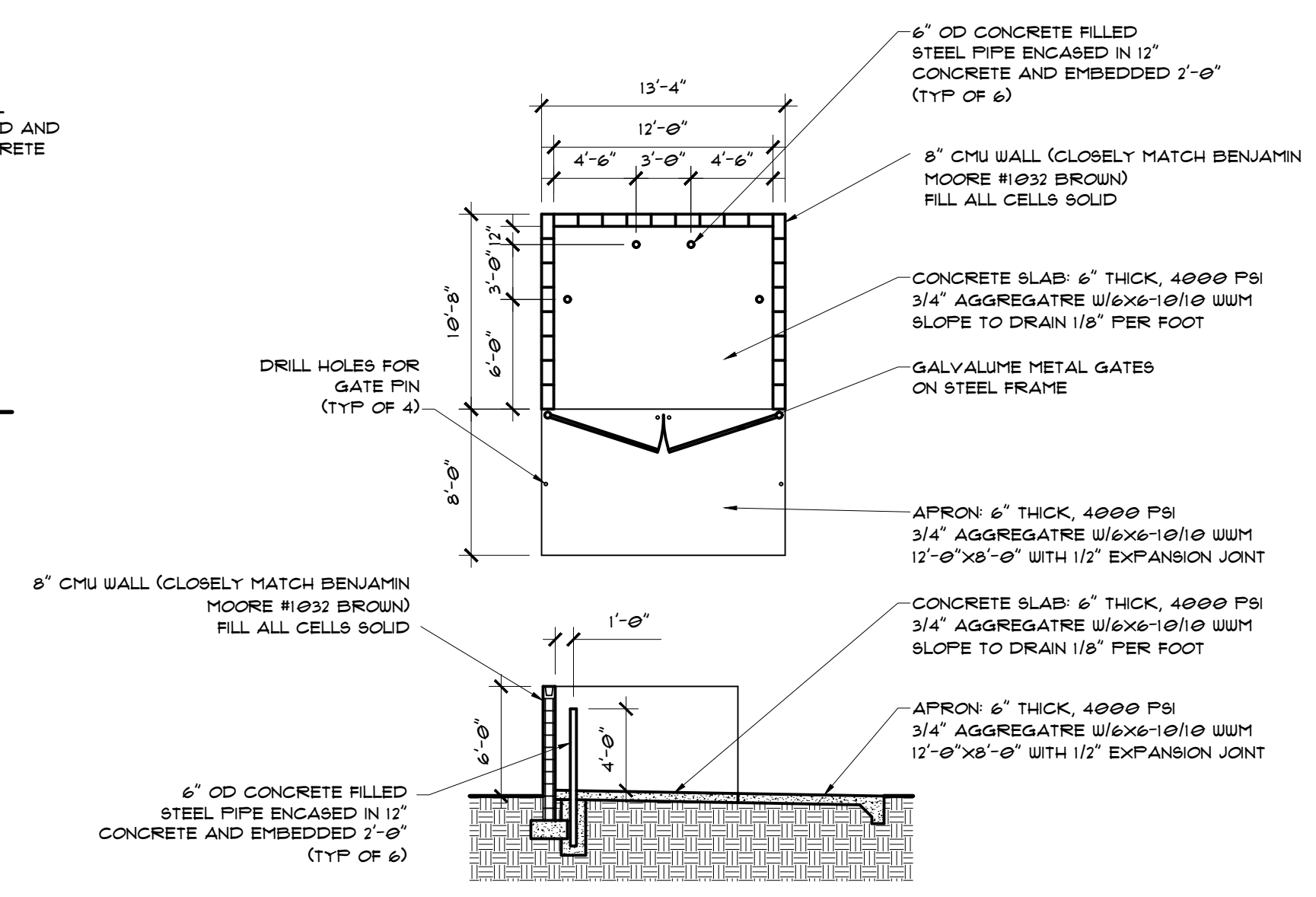


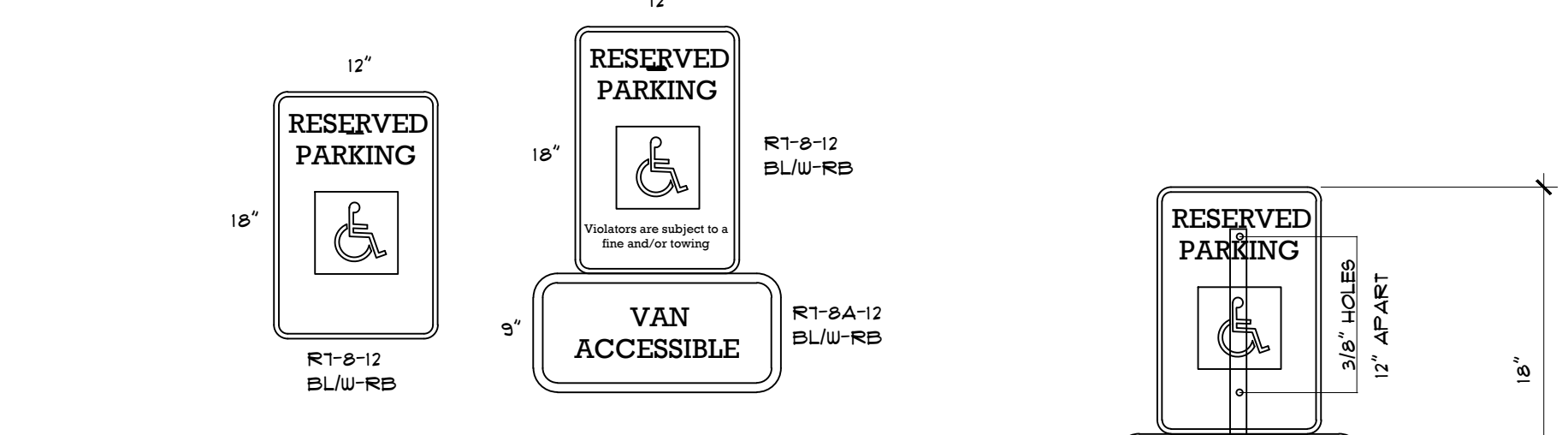
1 BICYCLE RACK
A1.2A N.T.S.



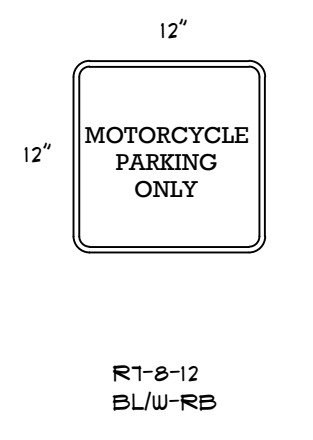
2 REFUSE ENCLOSURE
A1.2A N.T.S.



4 HANDICAP PARKING SIGNS
A1.2A N.T.S.

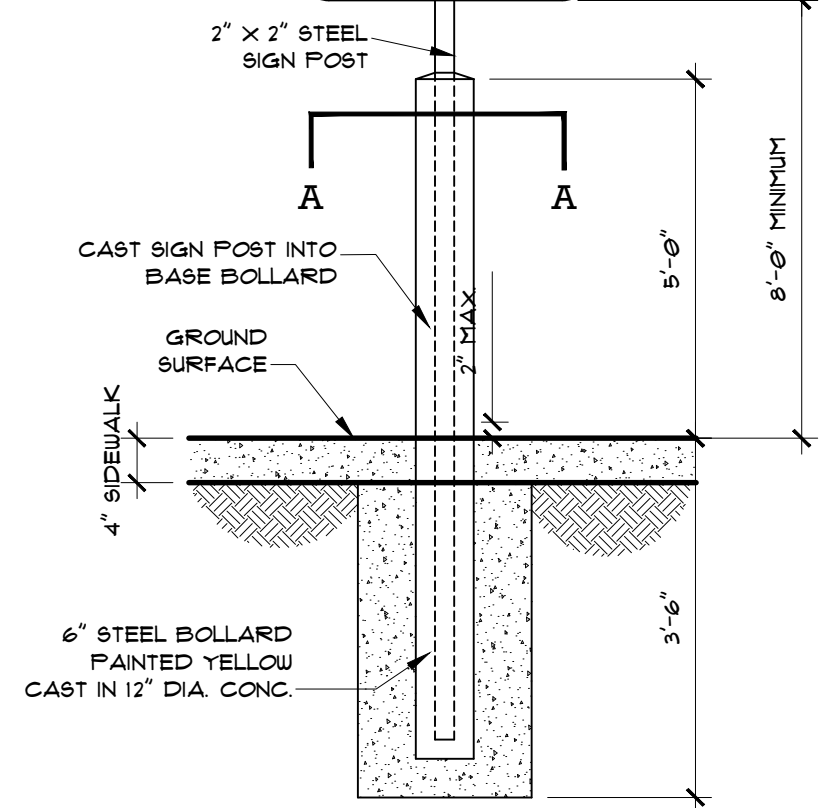


5 SECTION A-A
A1.2A N.T.S.



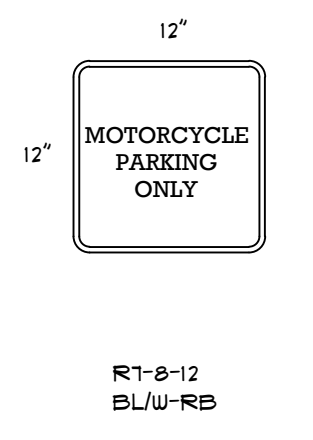
NOTE: LETTERING SHALL BE FHWA SERIES "B" ALPHABET
MOUNTING OPTIONS
A) FLEXIBLE P.E. POST WITH SURFACE MOUNT BASE - EPOXY TO PAVEMENT SURFACE
B) PERFORATED GALVANIZED TUBING INSTALL IN LANDSCAPE AREAS ONLY
BLACK BORDERS AND TEXT, ON WHITE OR REFLECTIVE BACKGROUND (TYP)
BOTTOM OF SIGN SHALL NOT BE LESS THAN 4'-0" ABOVE FINISH SURFACE

6 SIGN MOUNTING DETAIL
A1.2A N.T.S.



NOTE: THE ADA ACCESS AISLES SHALL HAVE THE WORDS "NO PARKING" IN CAPITAL LETTERS, EACH OF WHICH SHALL BE 12" HIGH AND AT LEAST TWO INCHES WIDE, PLACED AT THE REAR OF THE PARKING SPACE SO AS TO BE CLOSE TO WHERE AN ADJACENT VEHICLE'S REAR TIRE WOULD BE PLACED. (66-1-41.B NMSA 2/9/16)

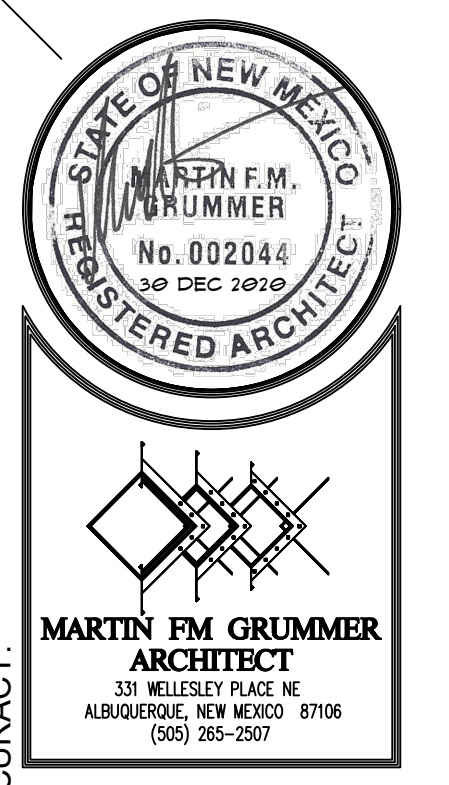
7 SIGN MOUNTING DETAIL
A1.2A N.T.S.



7A ADA ACCESS AISLE DTL.
A1.2A N.T.S.



ALL DIMENSIONS ARE TO BE FIELD VERIFIED. IF THERE ARE DISCREPANCIES, PLEASE NOTIFY THE ARCHITECT. DRAWING ARE NOT TO BE SCALED. USE DIMENSIONS FOR ACCURACY.



PETERSON PROPERTIES

**CENTRAL MERCADO
CENTRAL & SAN PEDRO SE
ALBUQUERQUE, NM 87108**

ENLARGED SITE PLAN

| | |
|--------------|-------------|
| DATE: | 30 DEC 2020 |
| DRAWN BY: | MFMG |
| CHECKED BY: | |
| VERIFIED BY: | |

| REVISIONS |
|-----------|
| |
| |
| |
| |

SHEET NO:
A1.2a